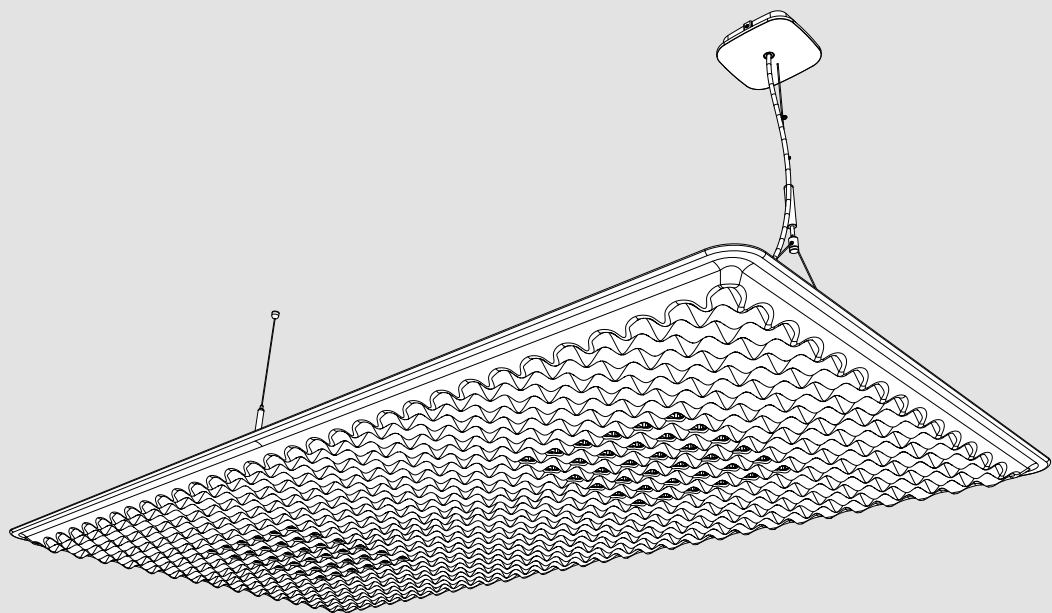


EGGBOARD MATRIX 1600x800

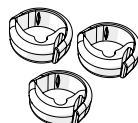
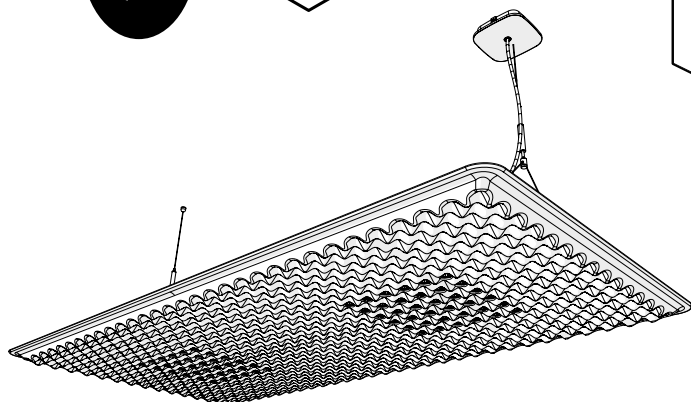
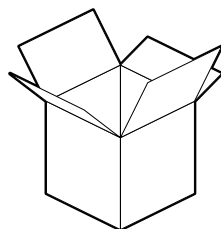
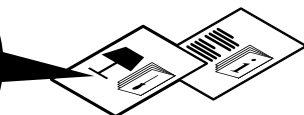
design
Progetto CMR

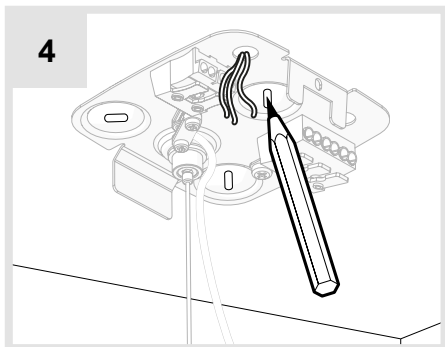
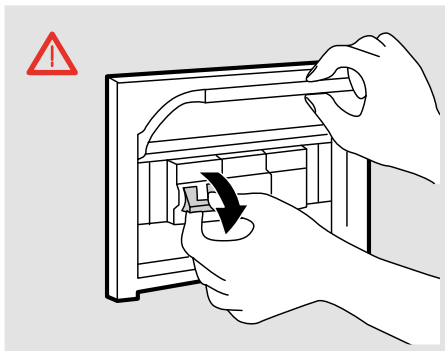
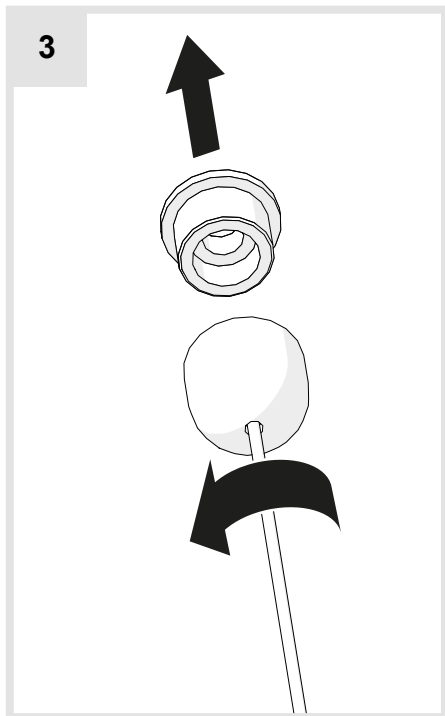
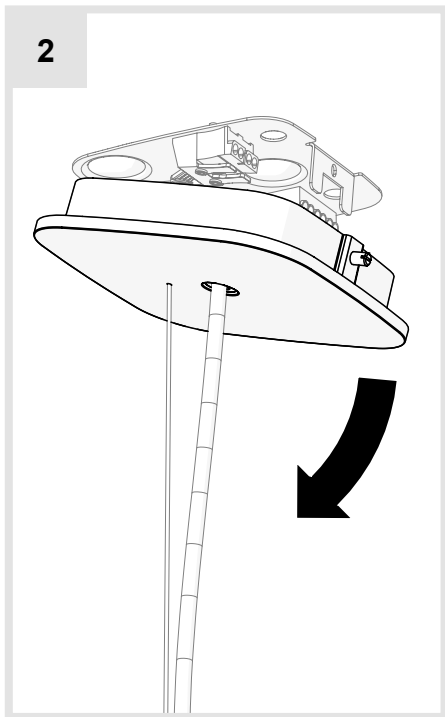
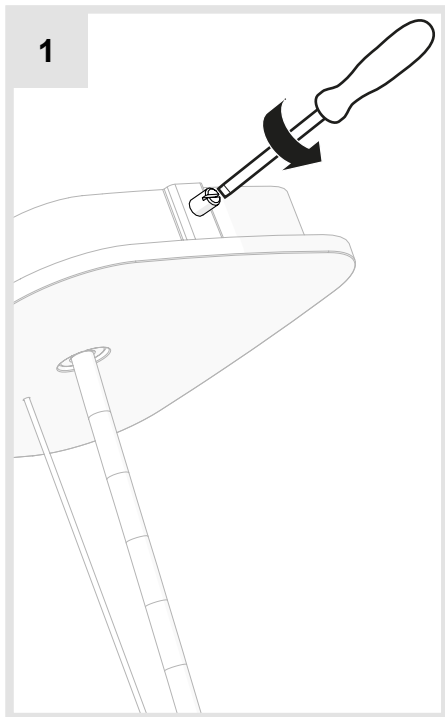


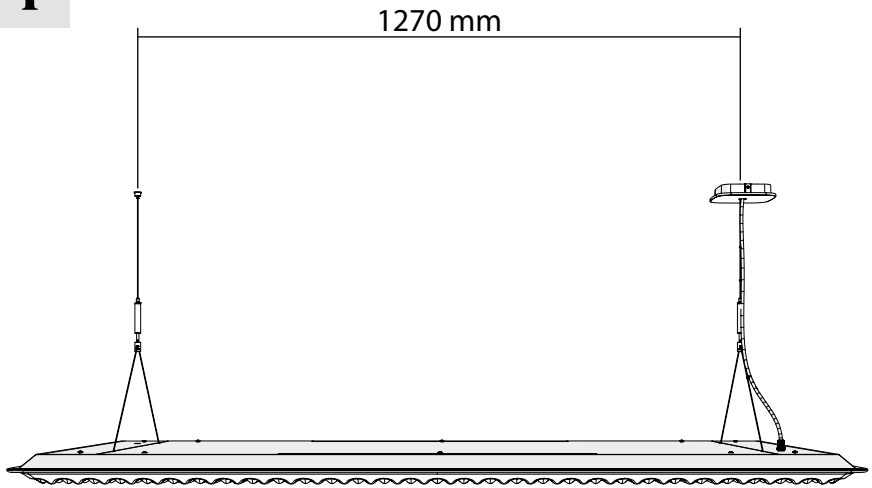
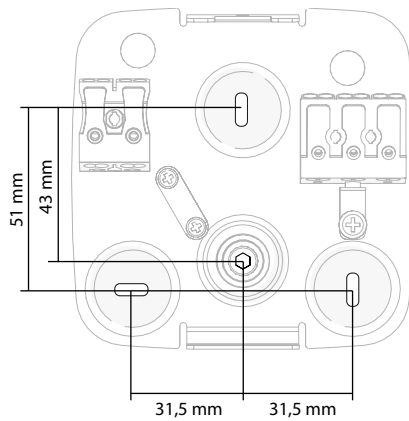
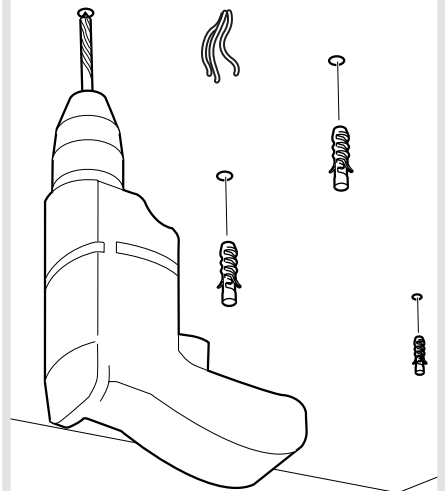


i

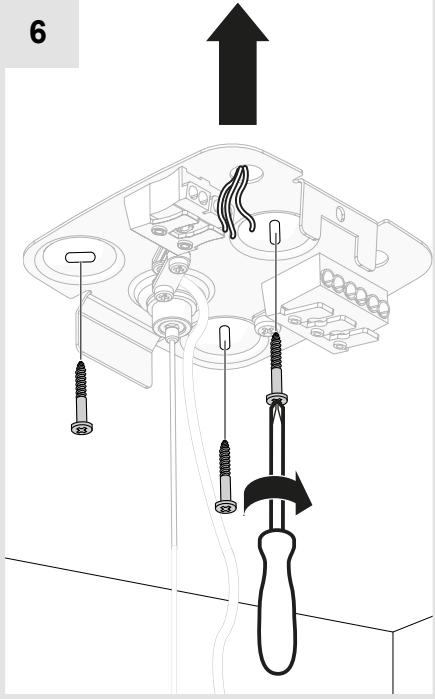
			DIRECT EMISSION	DIRECT + INDIRECT EMISSION
	IP20		LED0	LED1



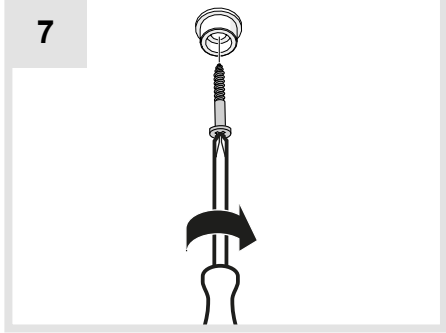


i**i****5**

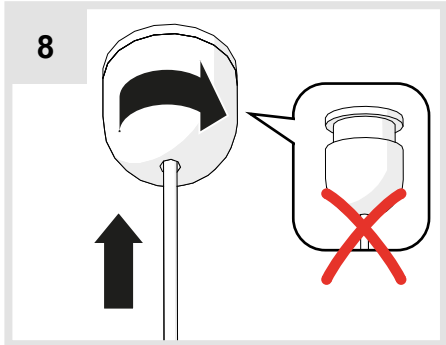
6



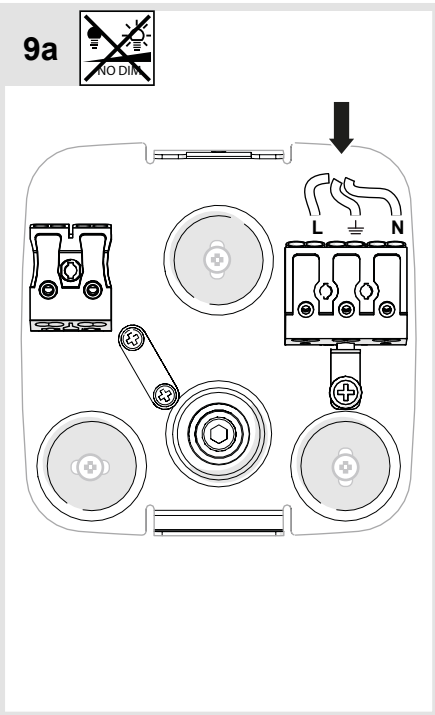
7



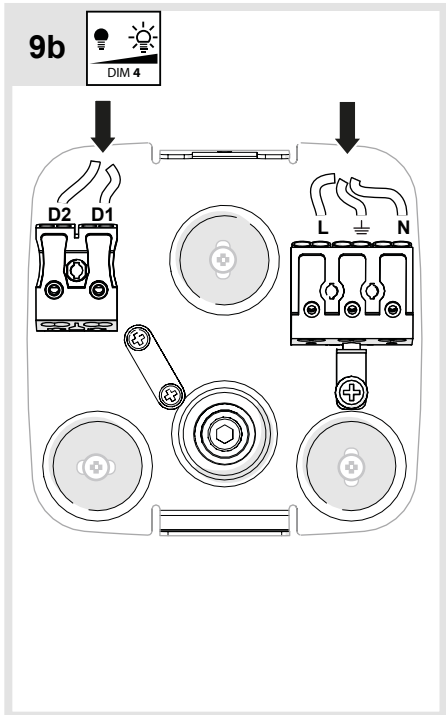
8



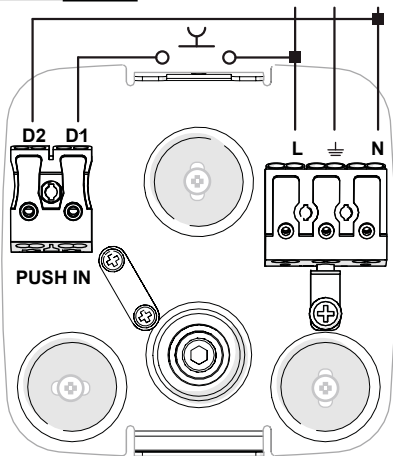
9a



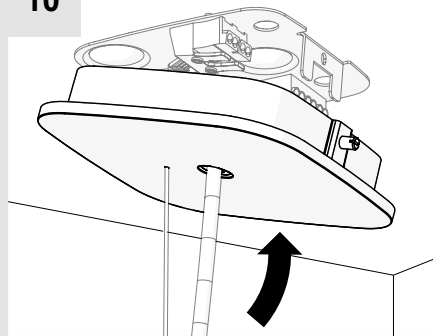
9b



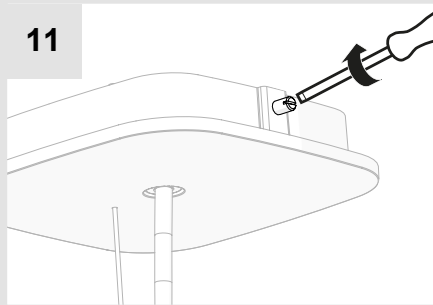
9c



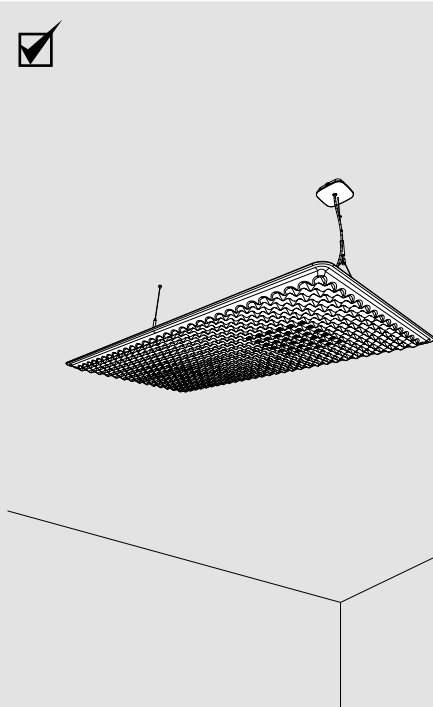
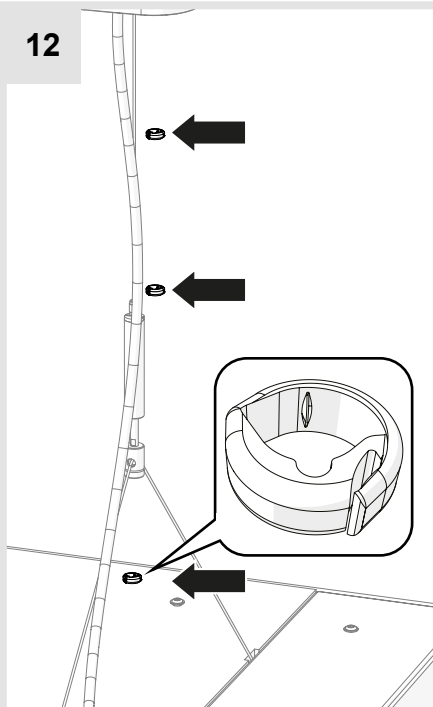
10



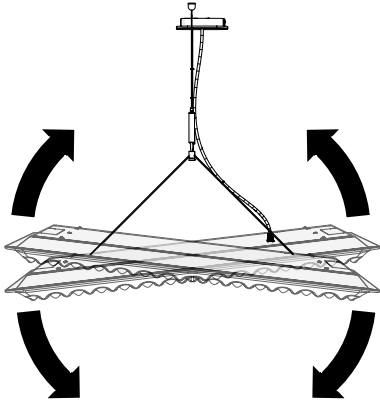
11



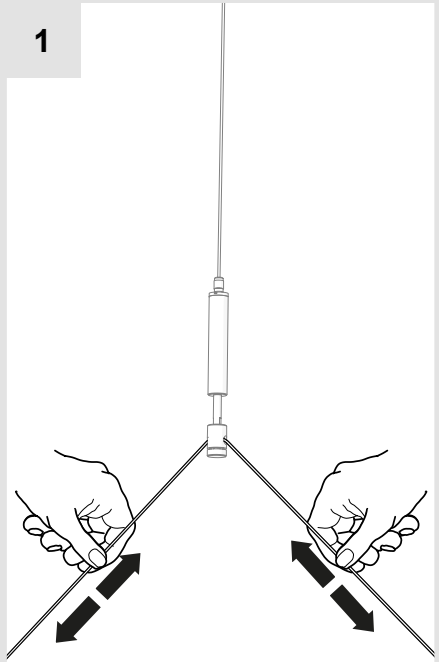
12



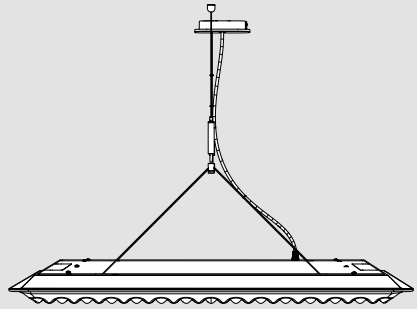
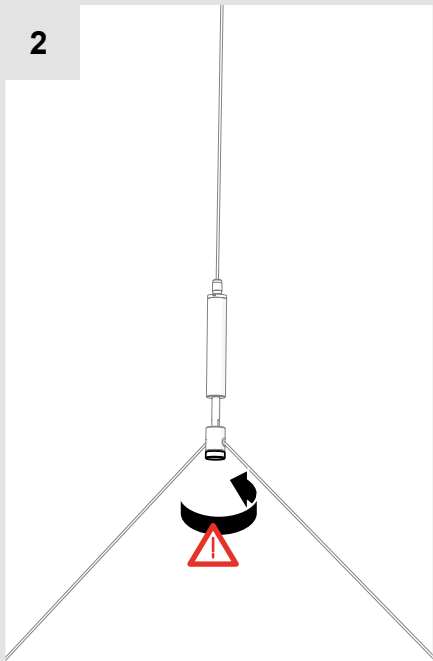
i



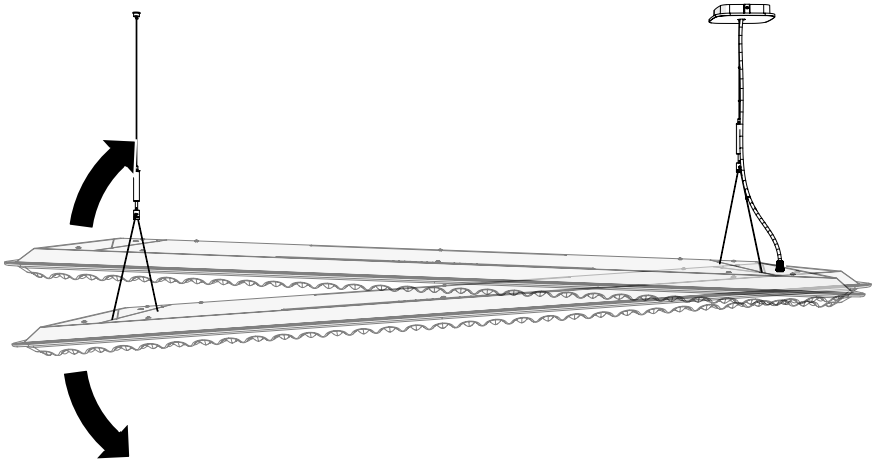
1



2



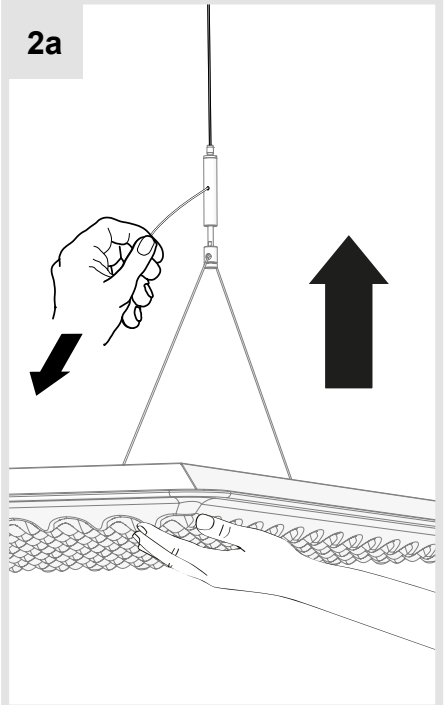
i



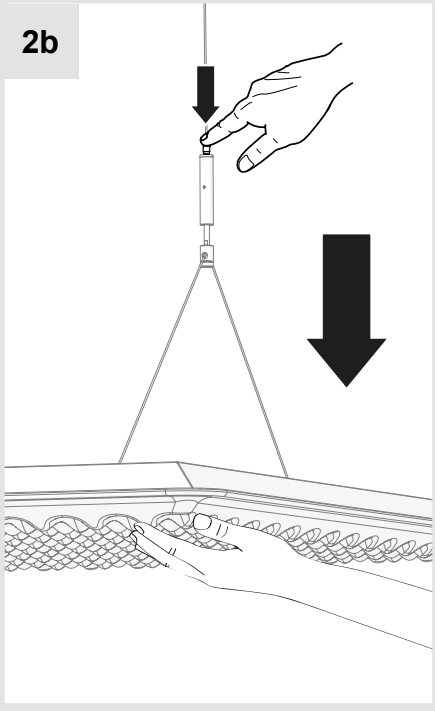
1



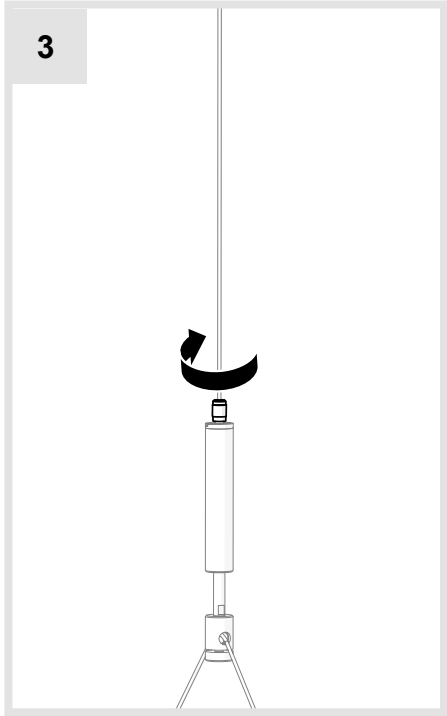
2a



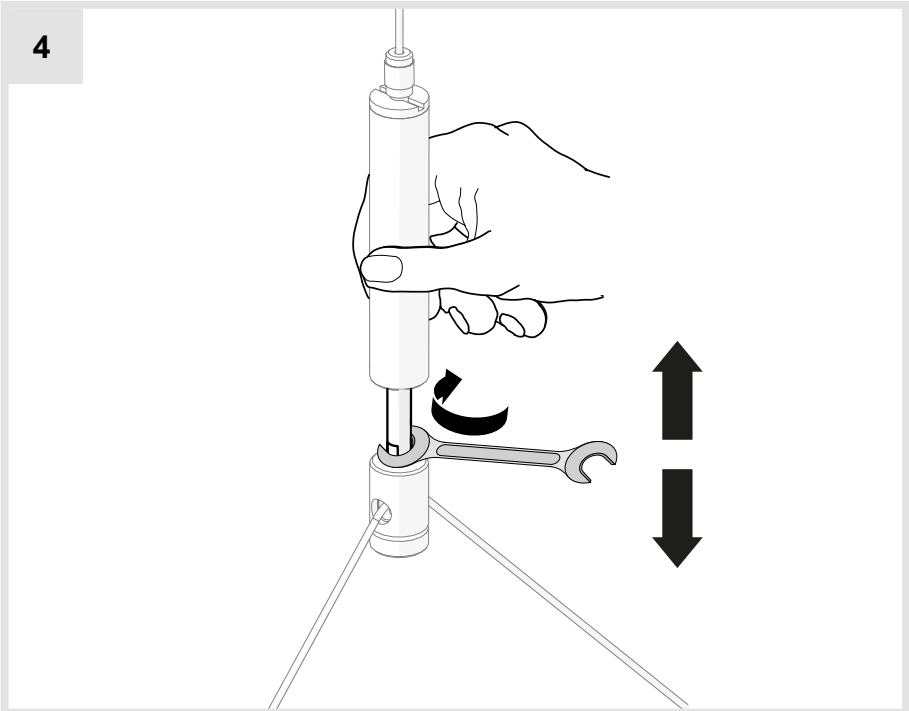
2b

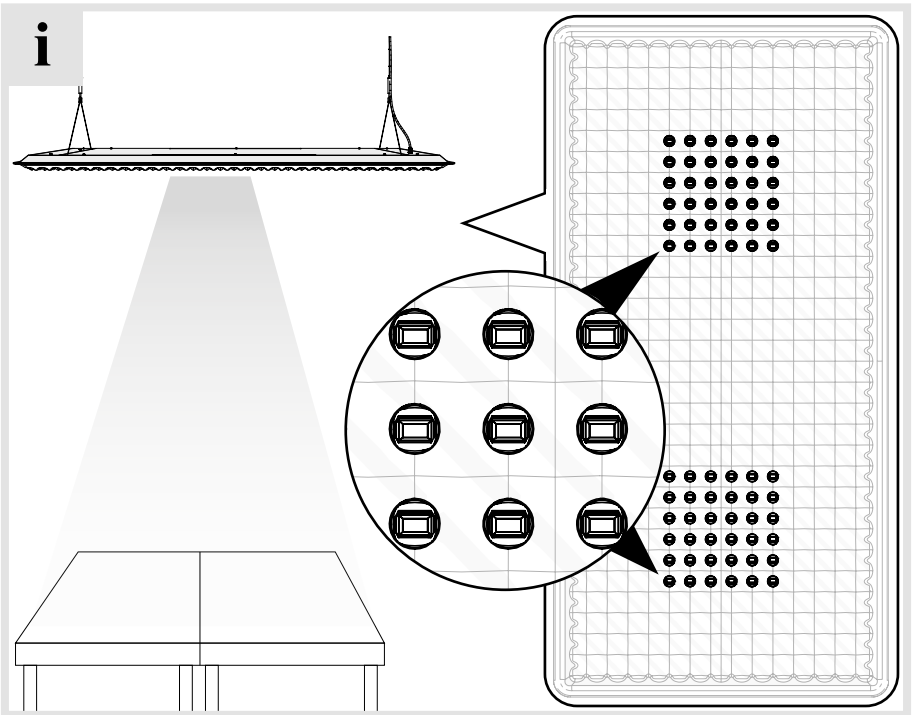
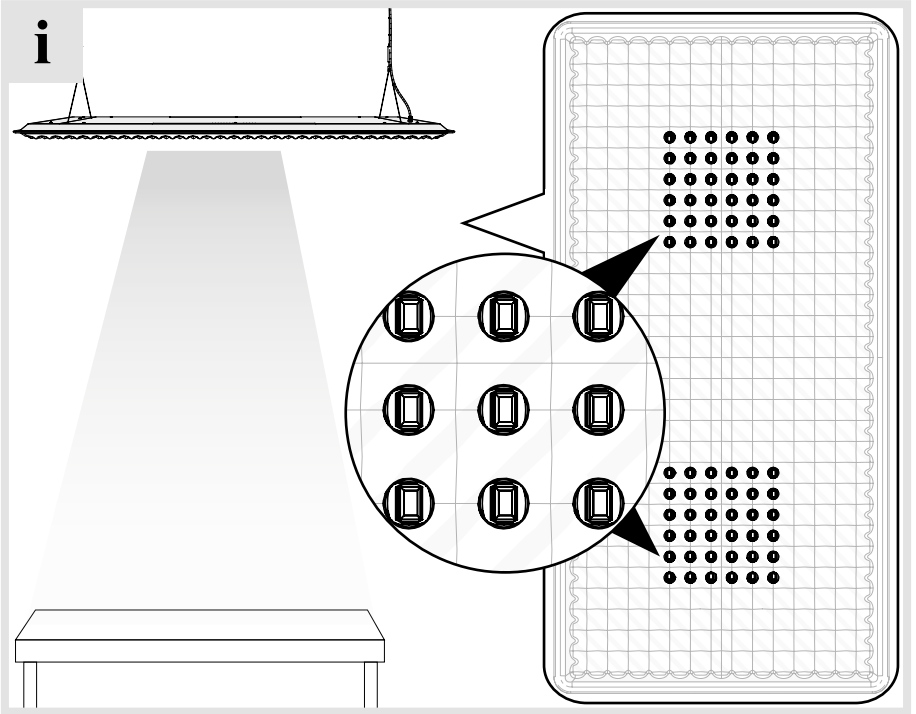


3

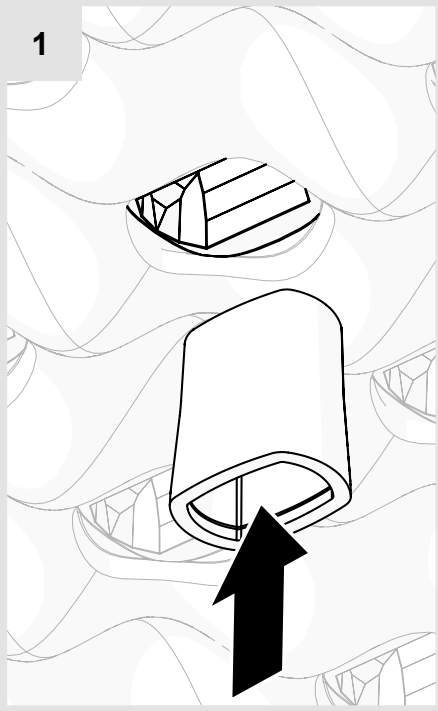


4

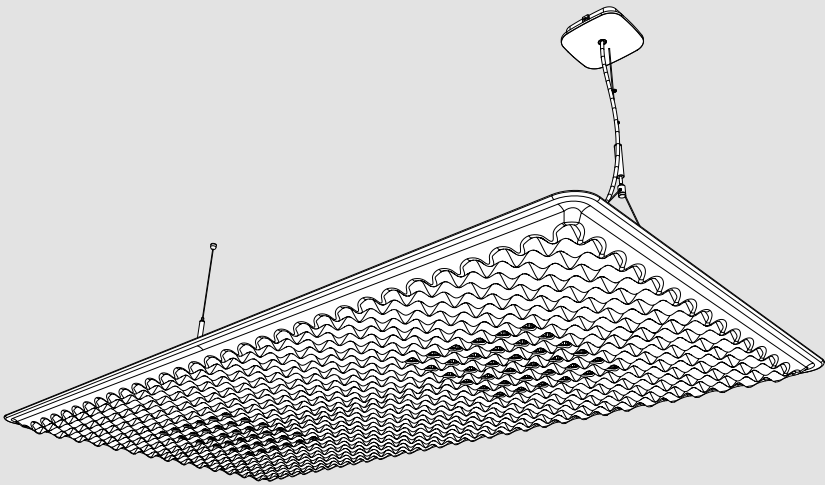




1



2



Artemide[®]
ARCHITECTURAL



Artemide Spa

via Bergamo, 18
20006 Pregnana M.se (MI)
ITALIA

Tel. +39 02 935 181
Fax +39 02 935 90 254
Fax +39 02 935 90 496

www.artemide.com

VAT IT00846890150

cod. Y513000490C