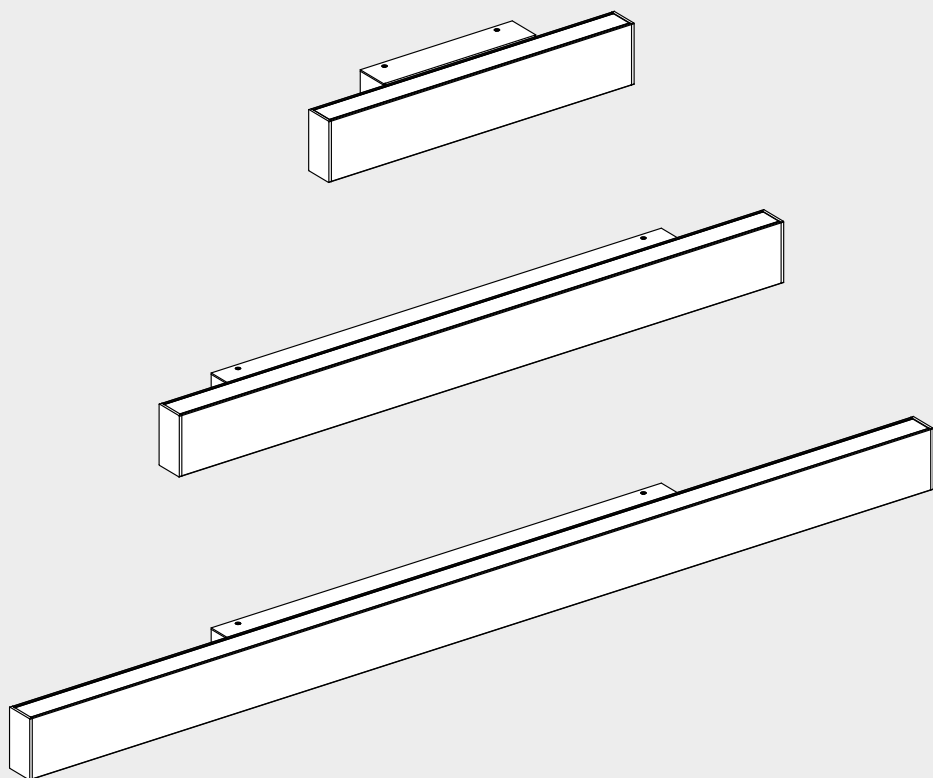


## A.24 WALL DIFFUSING

design  
Carlotta de Bevilacqua



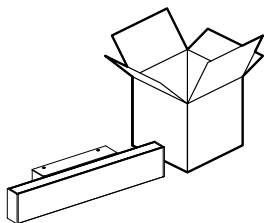


i

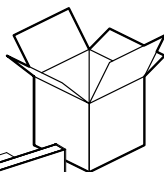
ONLY FOR  
A.24 WALL  
DIFFUSING 300



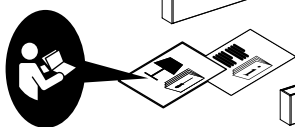
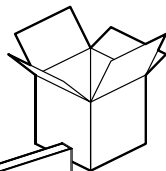

A.24 WALL  
DIFFUSING  
300



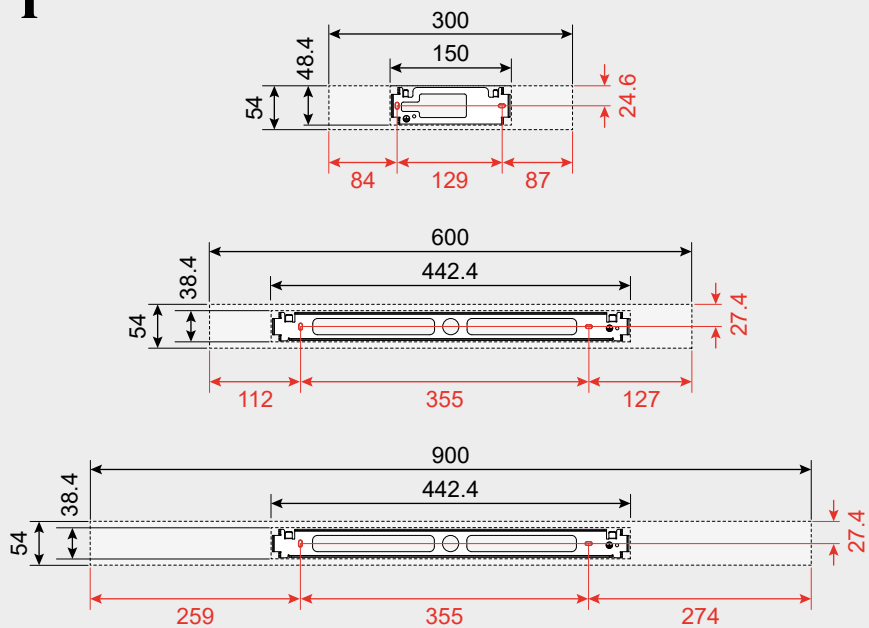
A.24 WALL  
DIFFUSING  
600



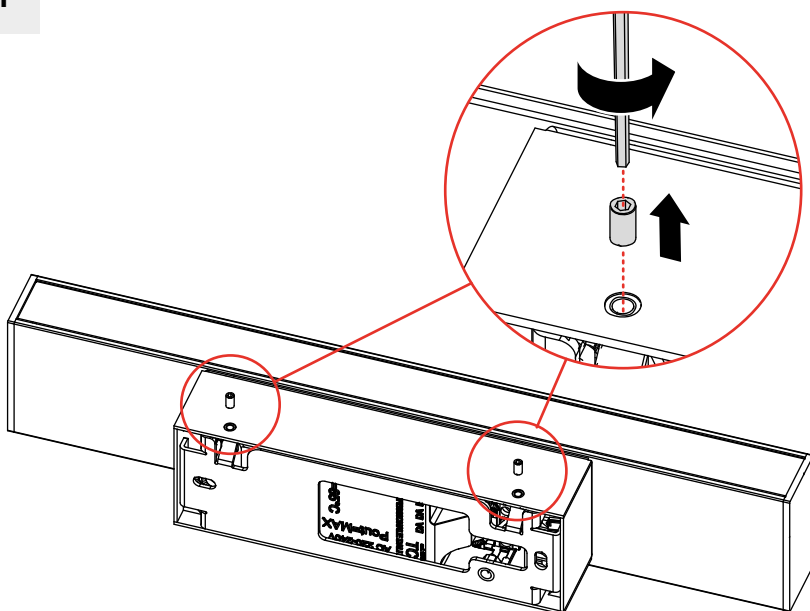
A.24 WALL  
DIFFUSING  
900



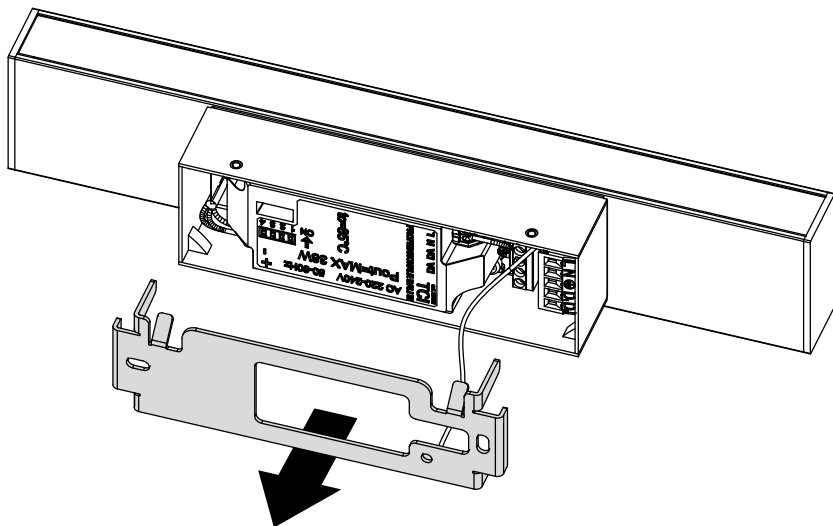
**i**



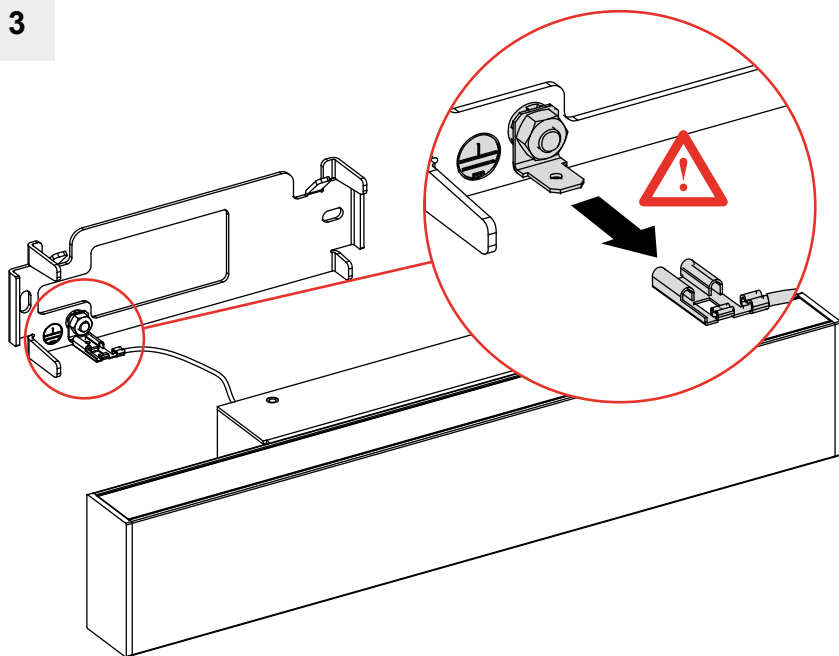
**1**



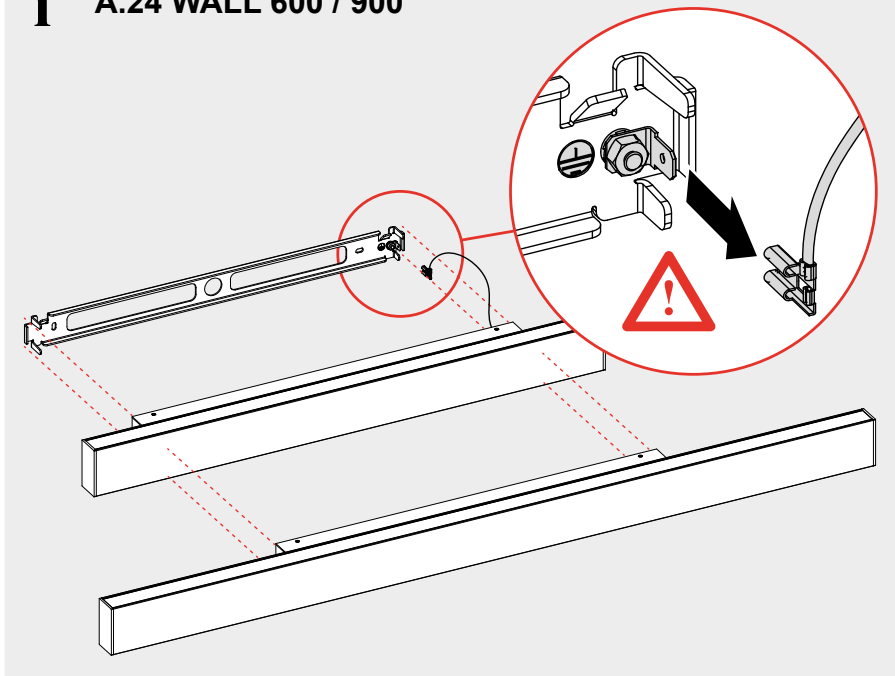
2



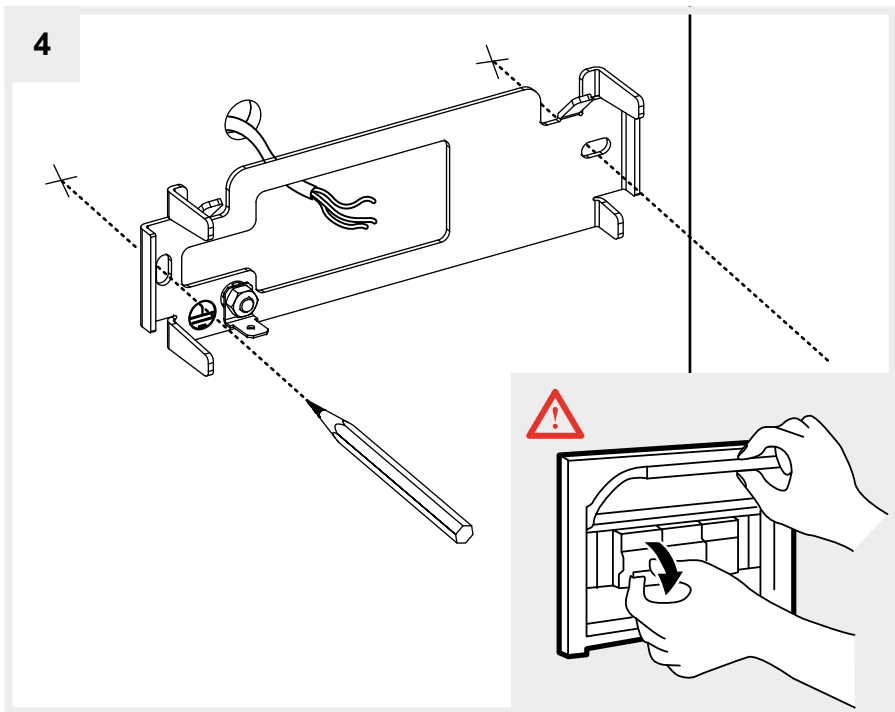
3



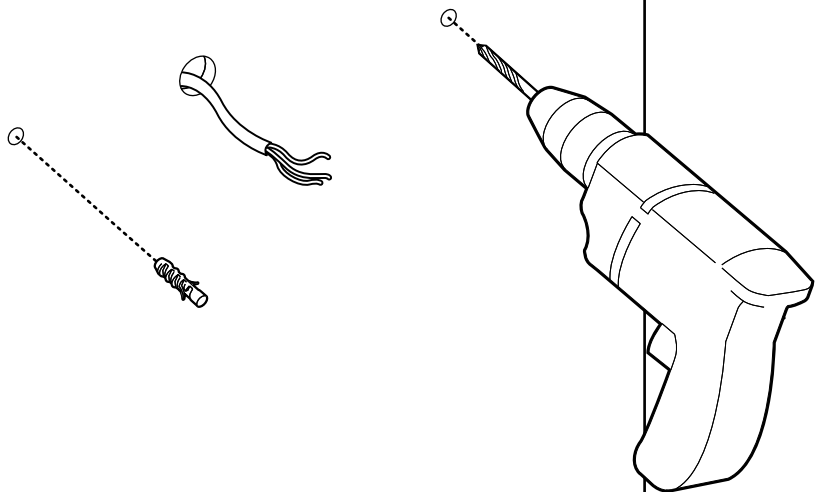
**i** A.24 WALL 600 / 900



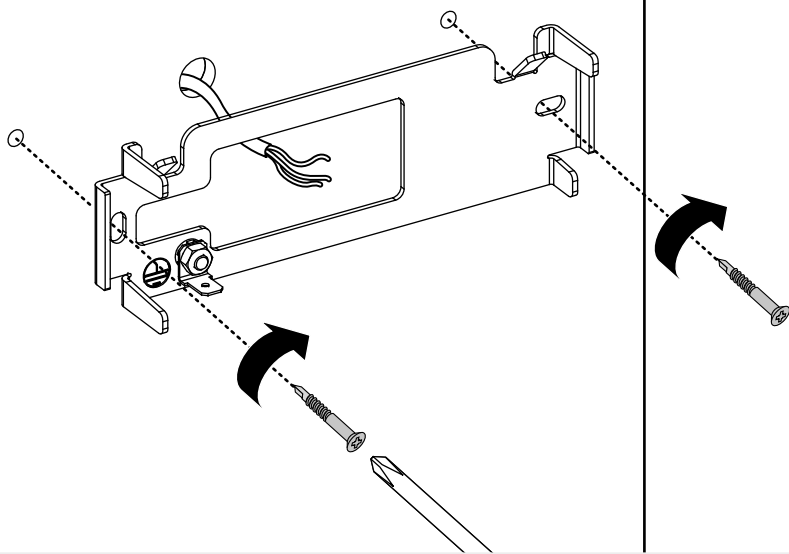
**4**

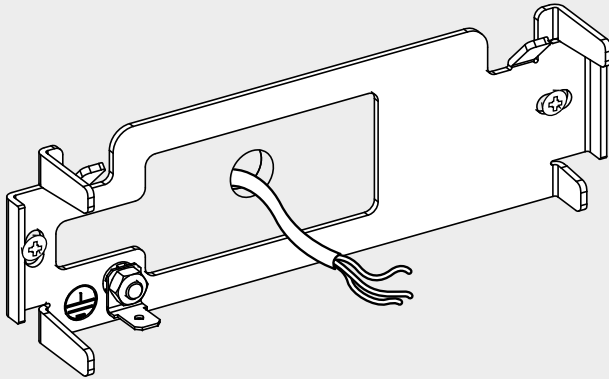


5

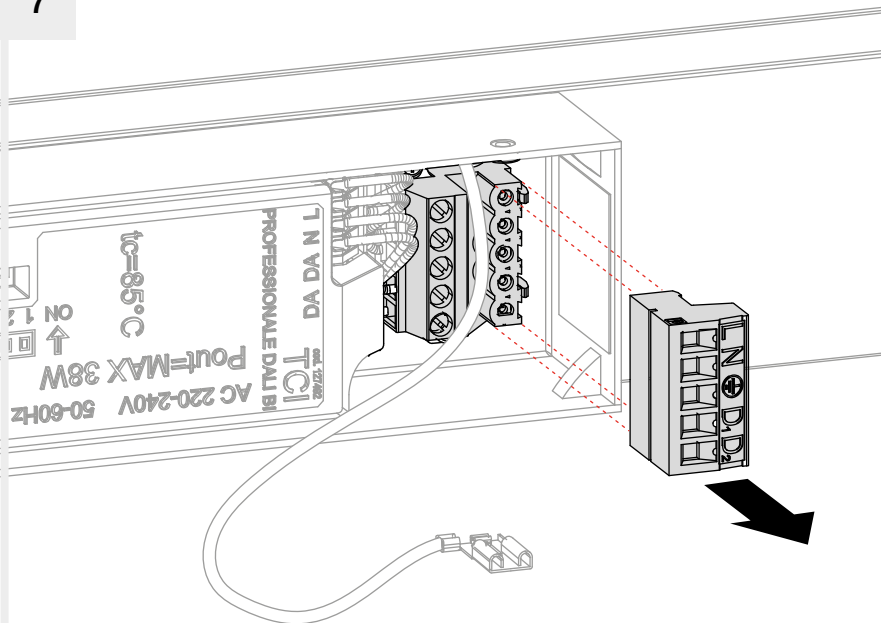


6

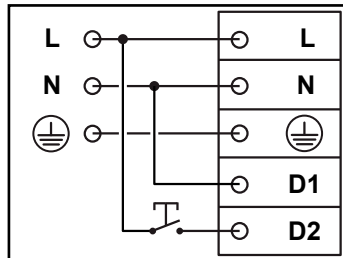
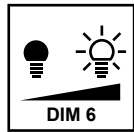
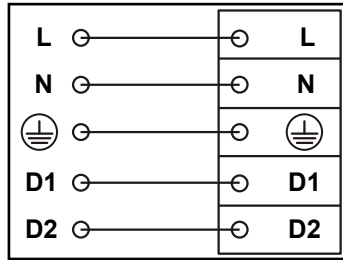
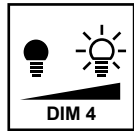
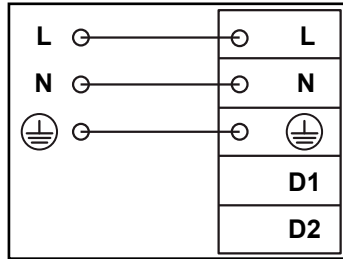
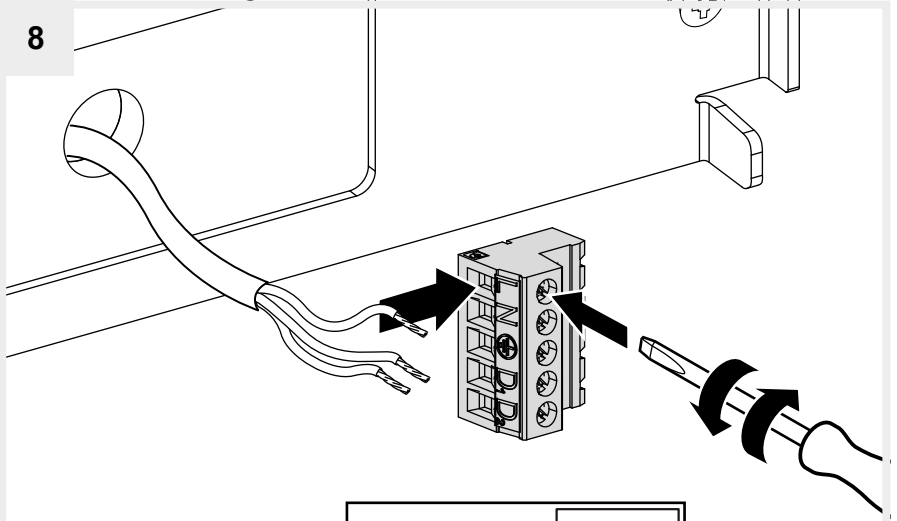




7

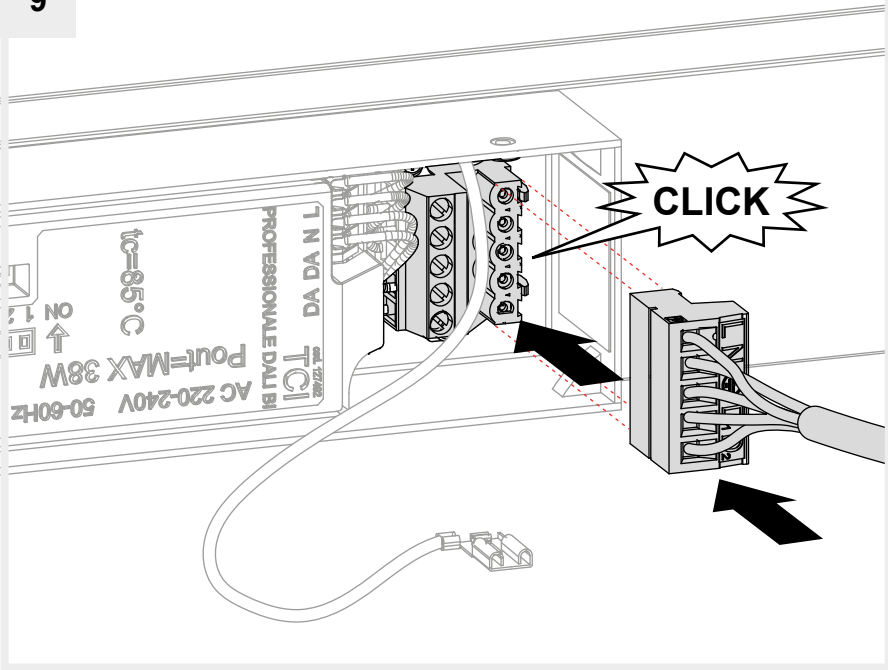


8

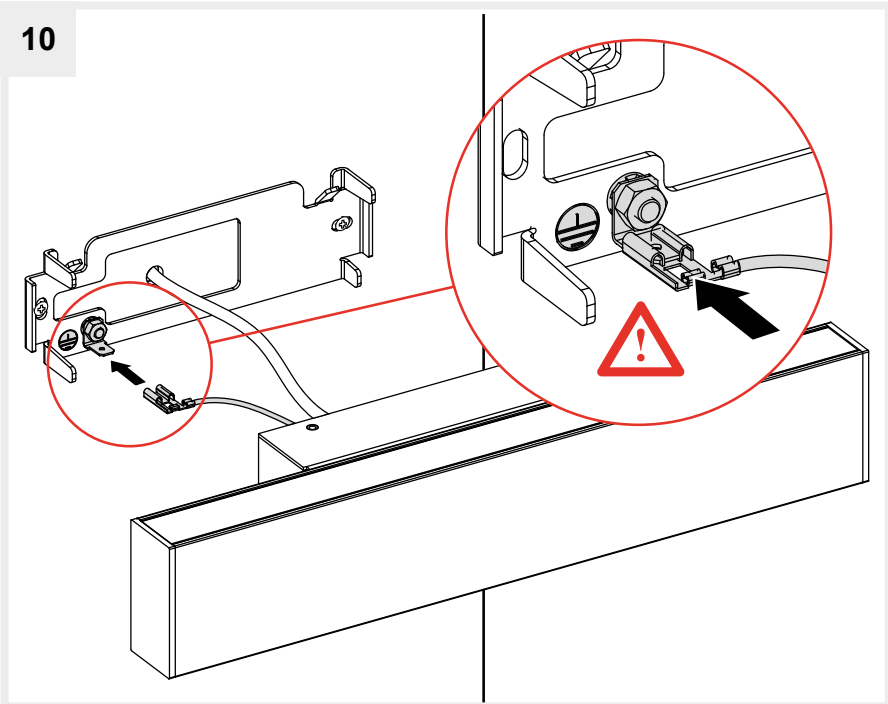




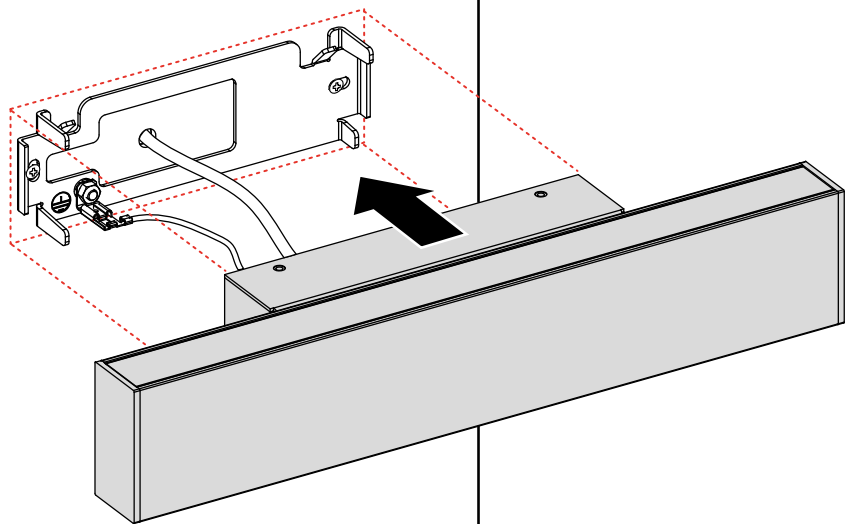
9



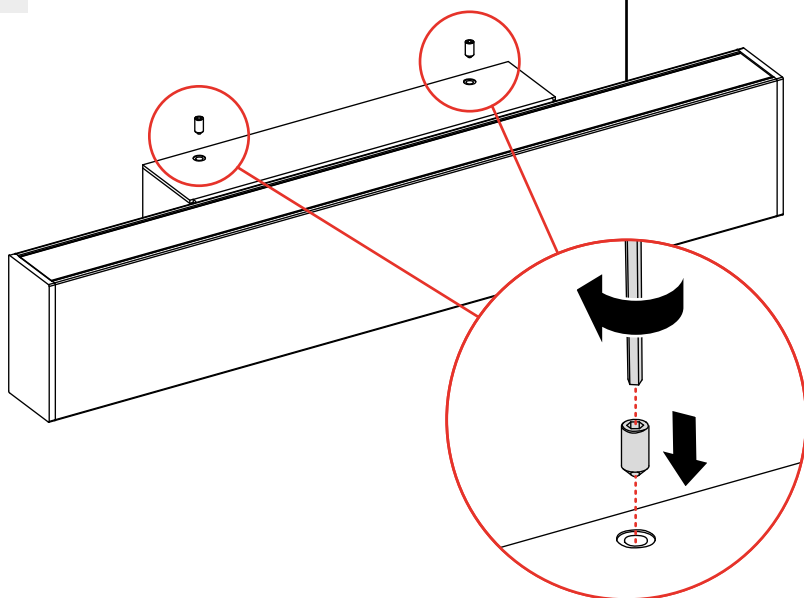
10

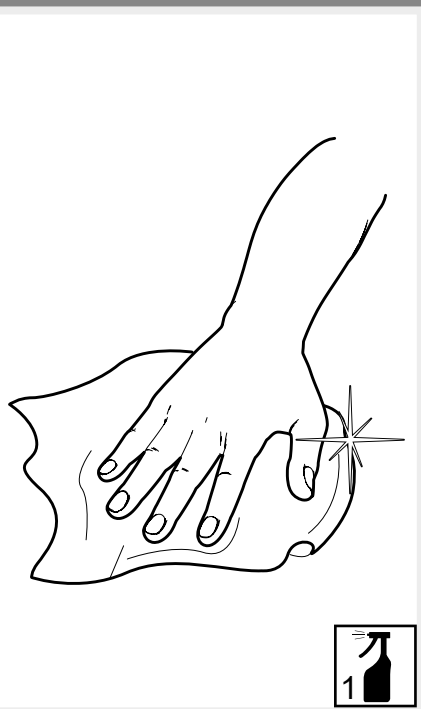
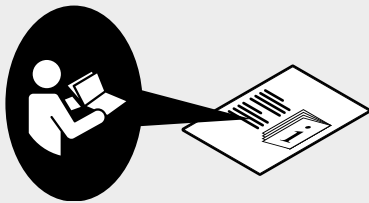
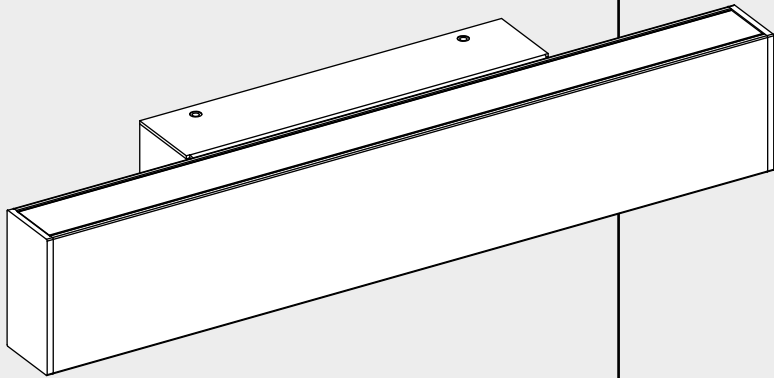


11

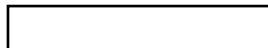


12





**Artemide®**



**Artemide**

via Bergamo, 18  
20006 Pregnana M.se (MI)  
ITALIA

tel. +39 02 935 181  
fax +39 02 935 90 254  
fax +39 02 935 90 496

[www.artemide.com](http://www.artemide.com)

VAT IT00846890150

cod. Y513001754A