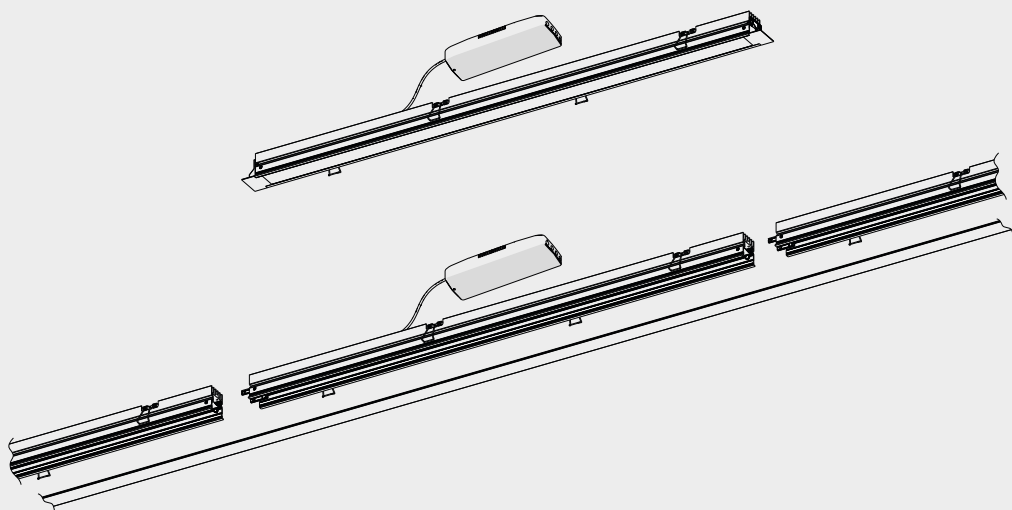
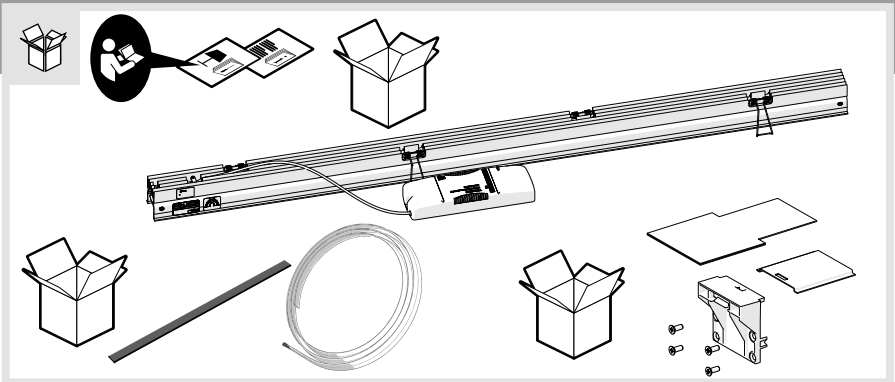
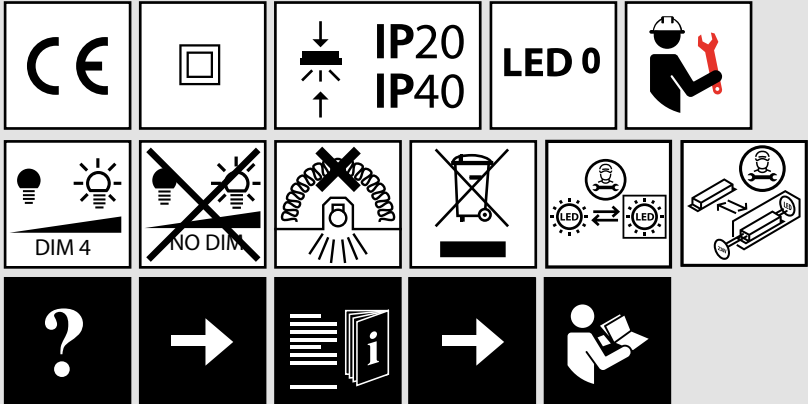


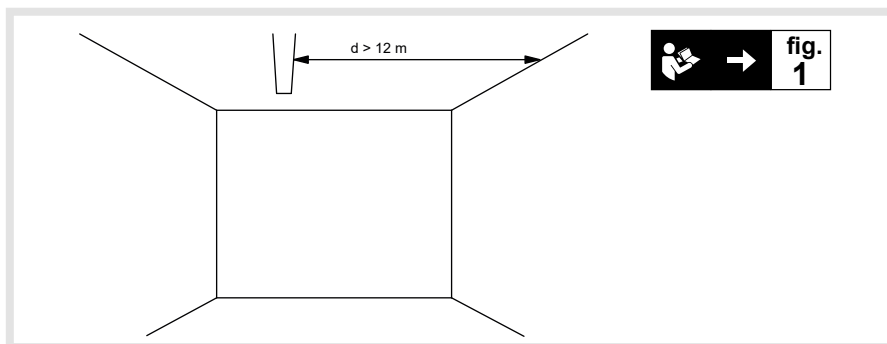
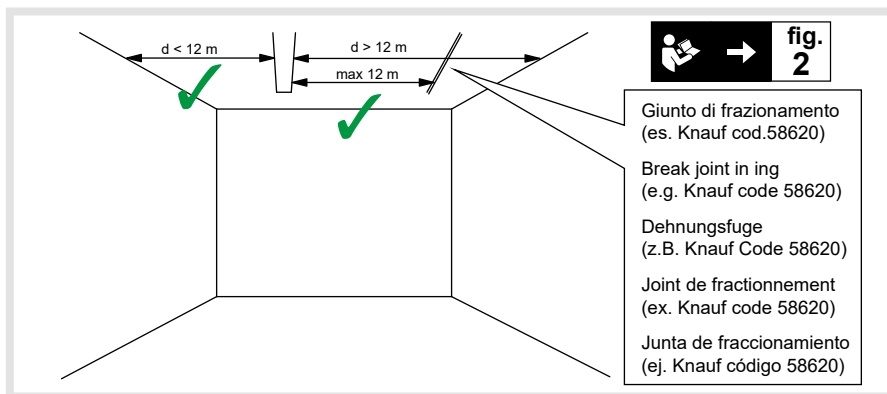
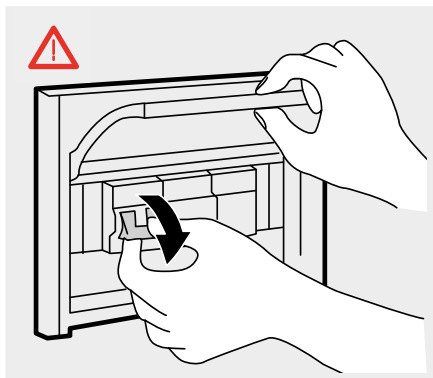
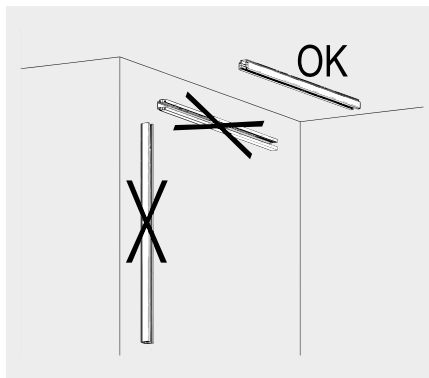
## A.39 TRIM

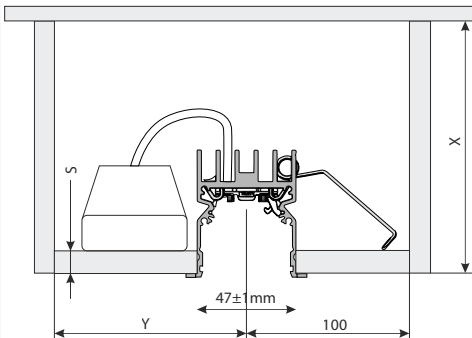
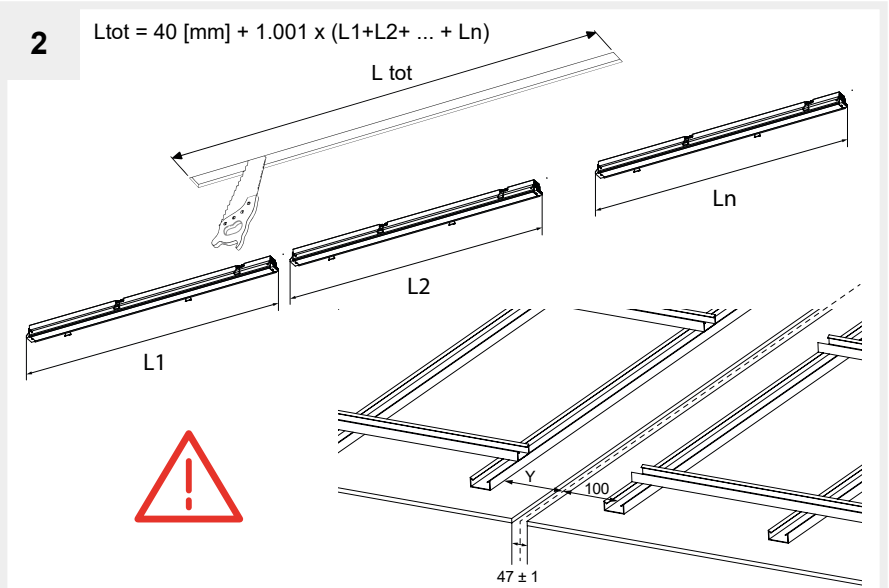
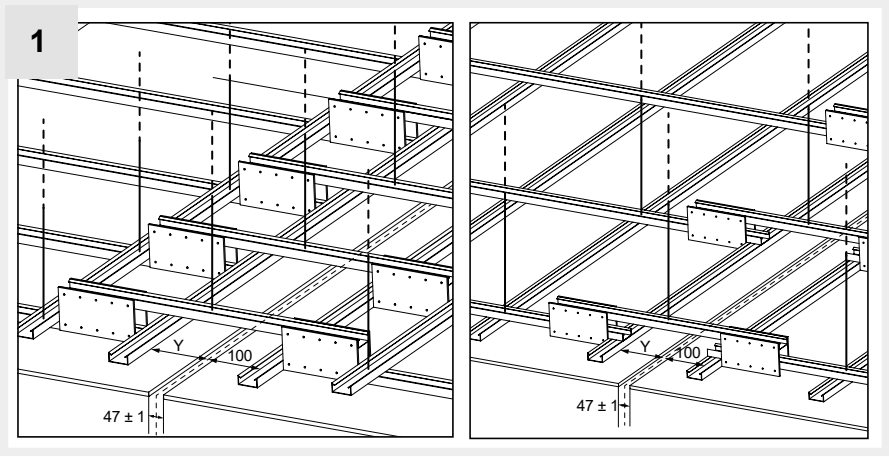
design  
Carlotta de Bevilacqua



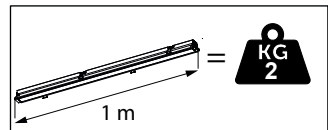
**i****i**

DIMMING	LENGTH [mm]	POWER [W]	Inrush current [A]	Inrush current time [µsec]	Nr. of power units under same MCB			Nr. of DALI addresses
					B16A	C16A	C20A	
NO DIM	1184	21	24,7	268	20	38	55	-
	1482	25	24,7	268	19	36	53	-
	1776	32	24,7	268	17	33	48	-
	2368	40	24,7	268	15	30	42	-
	2960	49	25,9	252	12	25	36	-
DALI	1184	21	28	195	20	38	55	1
	1480	25	28	195	19	36	53	1
	1776	32	28	195	17	33	48	1
	2368	40	28	195	15	30	42	1
	2960	49	26	264	12	25	36	1

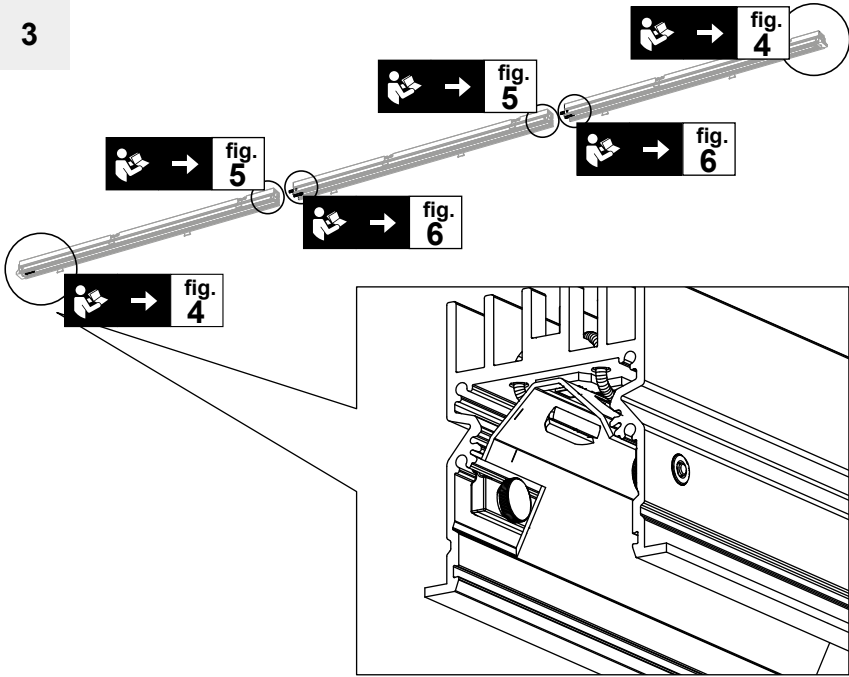




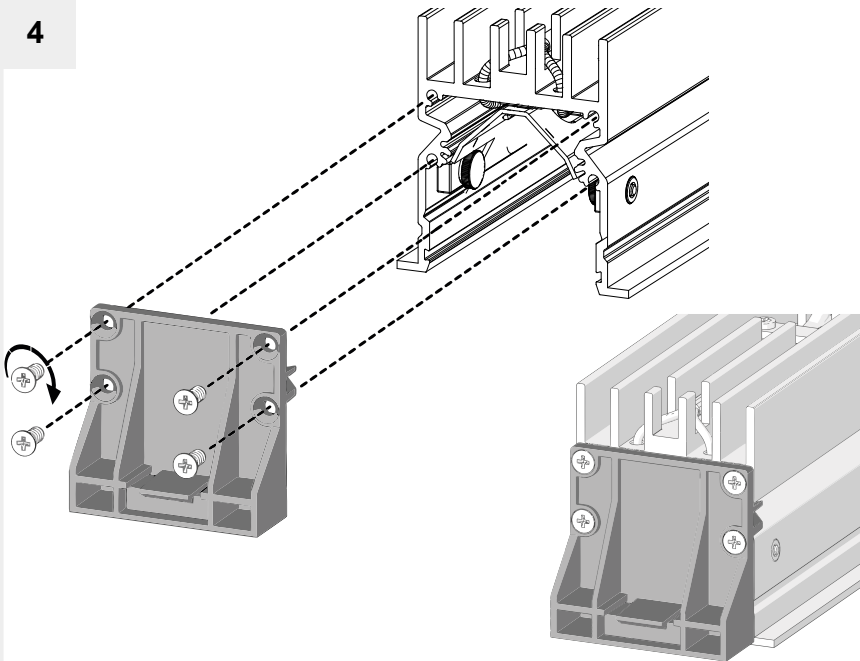
	S [mm]	L [mm]		
		1184+1776	2368	2960
X min [mm]	12,5	60	75	90
Y min [mm]	25	75	90	100
		110	120	140



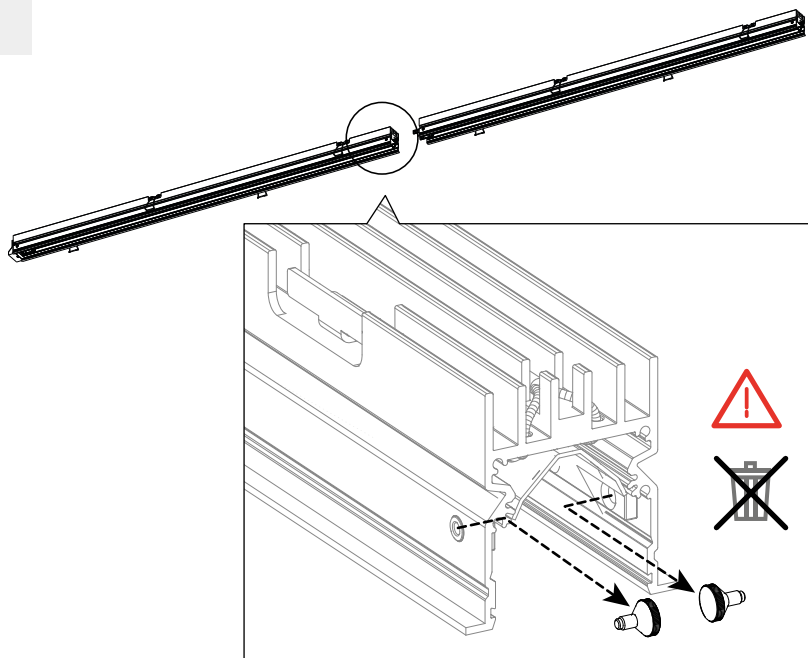
3



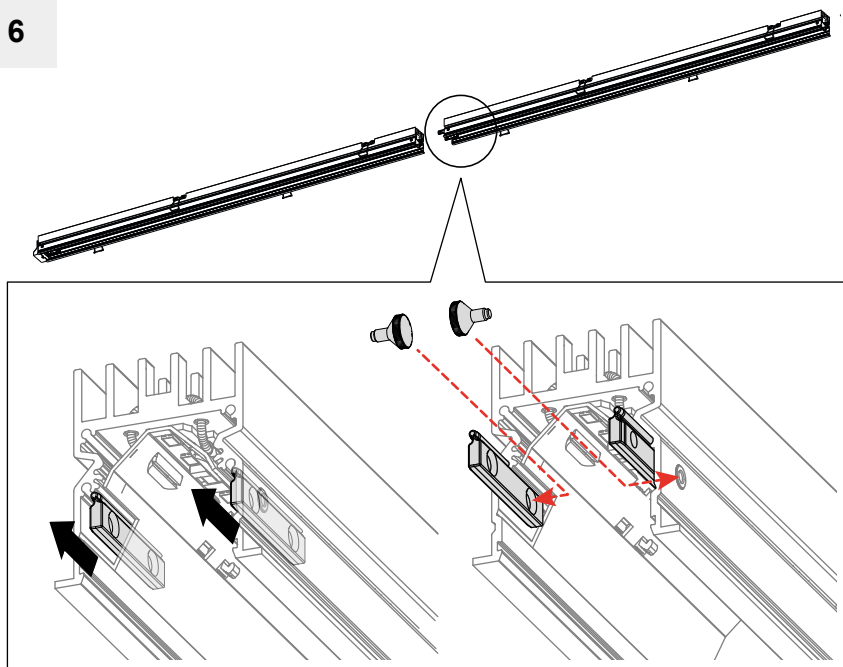
4

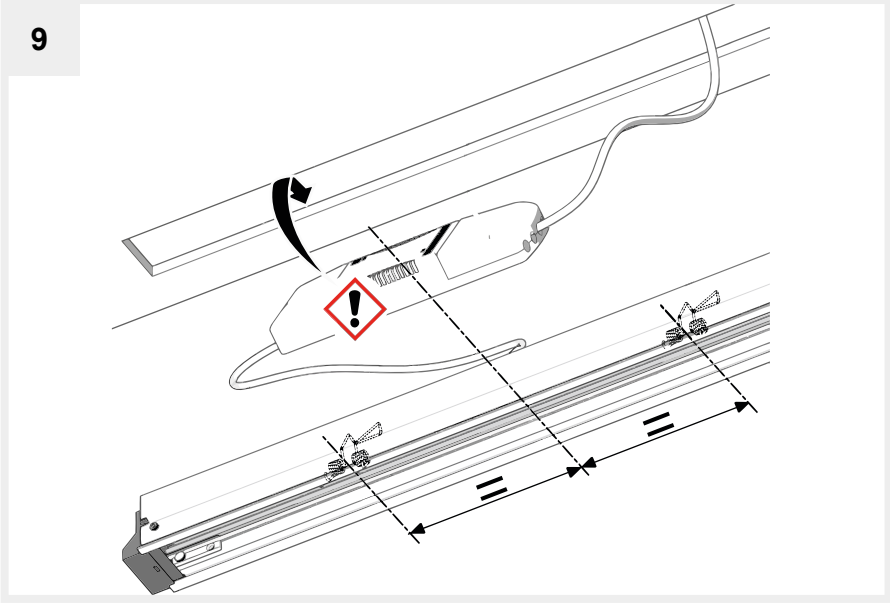
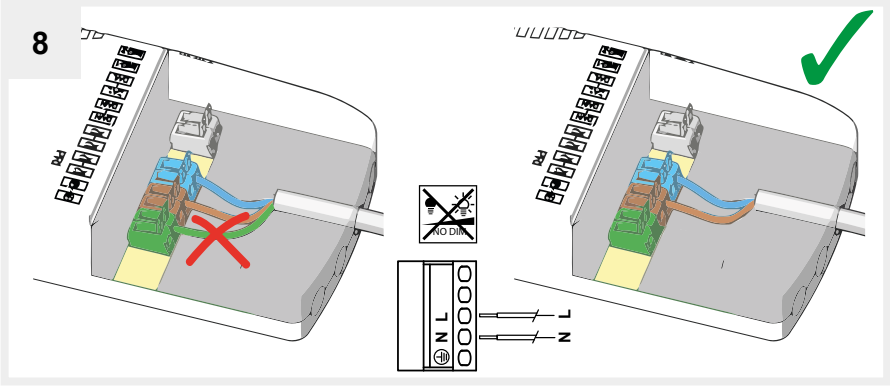
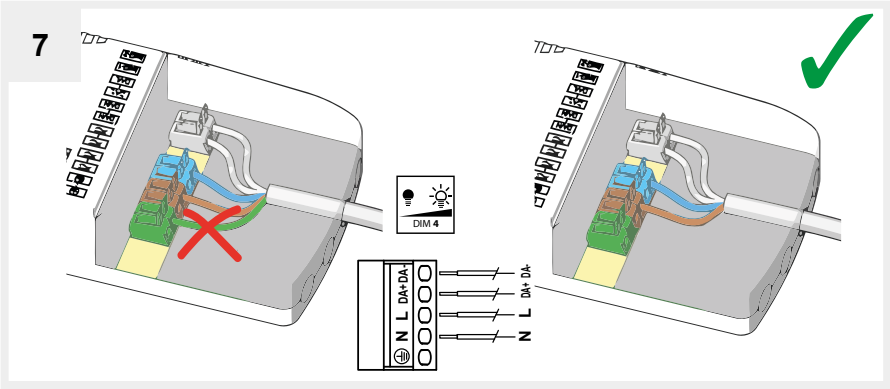


5

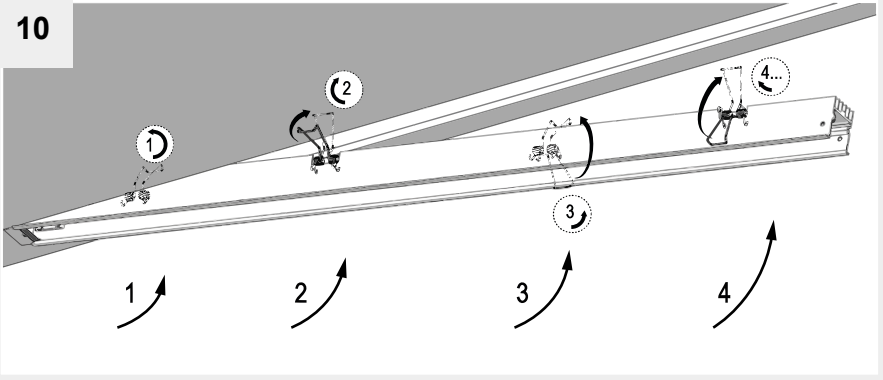


6

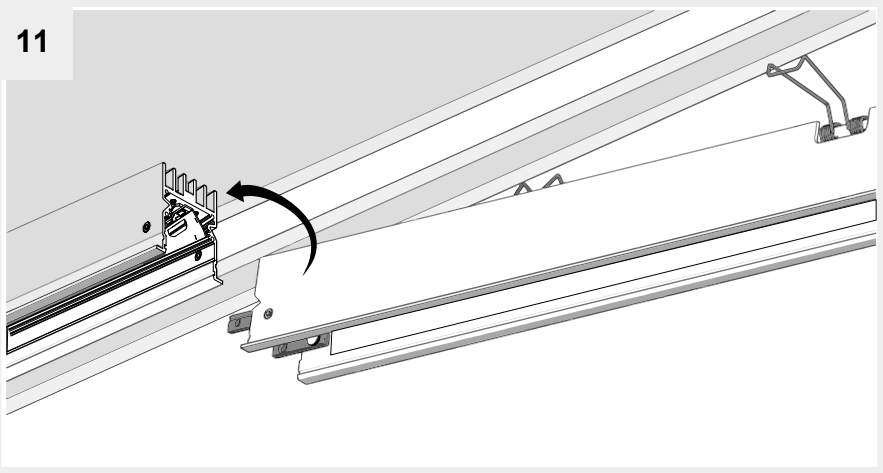




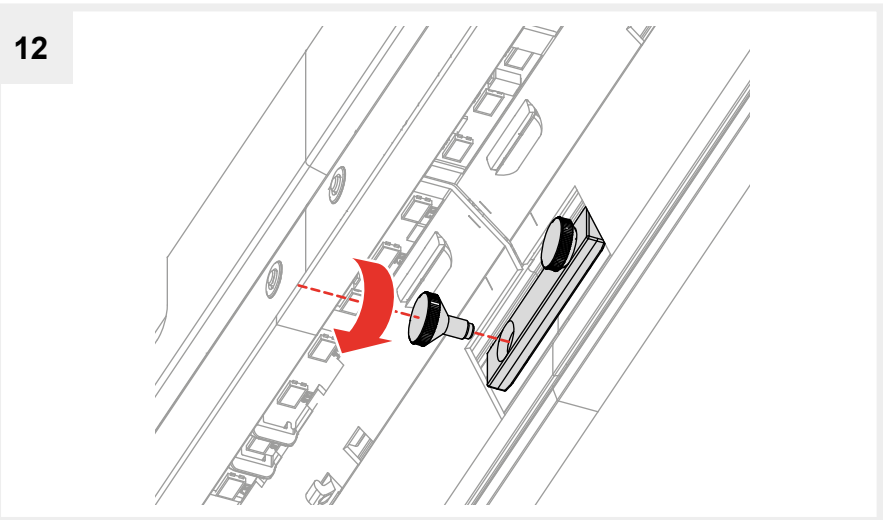
10



11

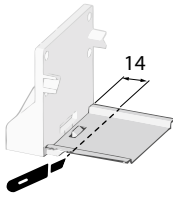


12

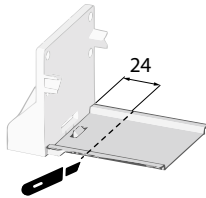




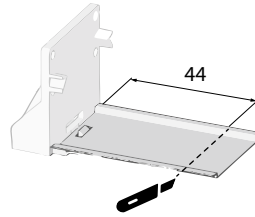
13



$L_{tot} < 5000 \text{ mm}$

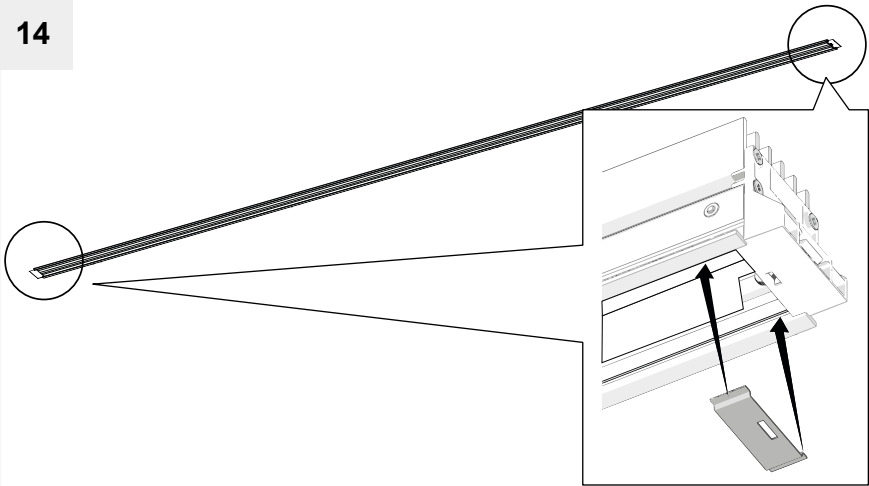


$5000 \text{ mm} < L_{tot} < 15000 \text{ mm}$

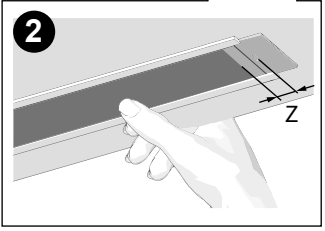
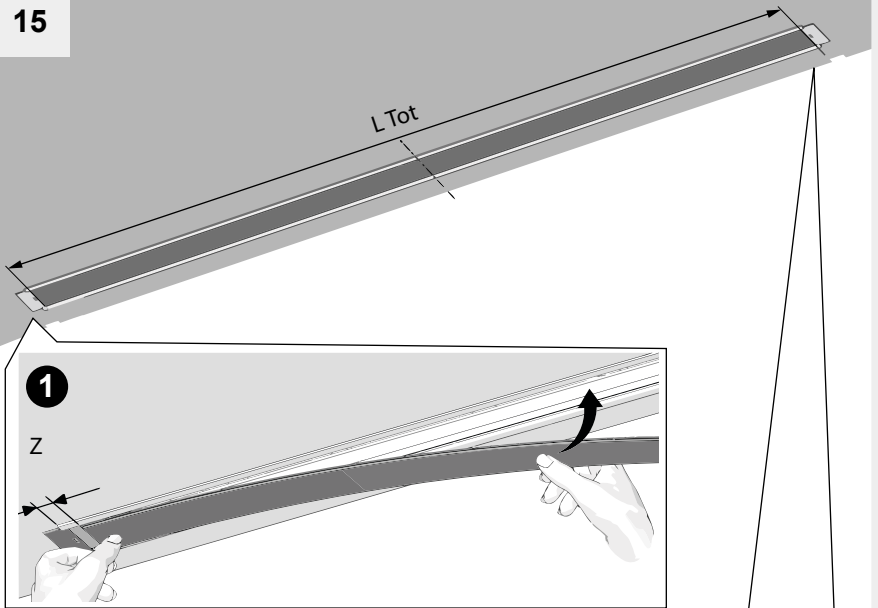


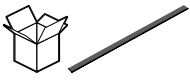


$15000 \text{ mm} < L_{tot} < 35000 \text{ mm}$

14



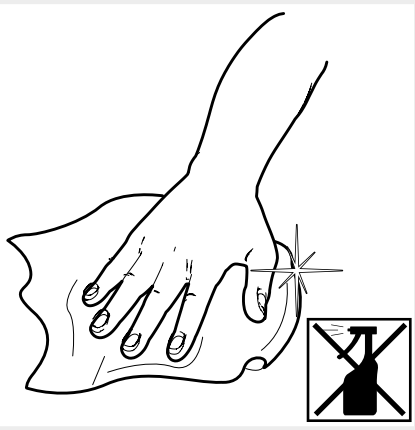
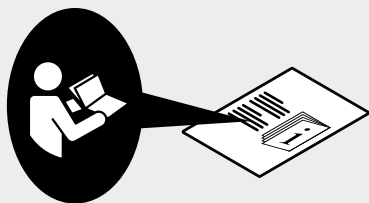
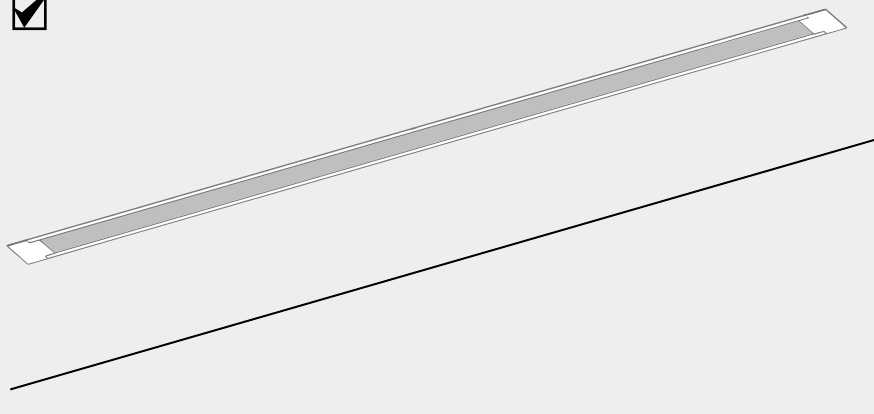
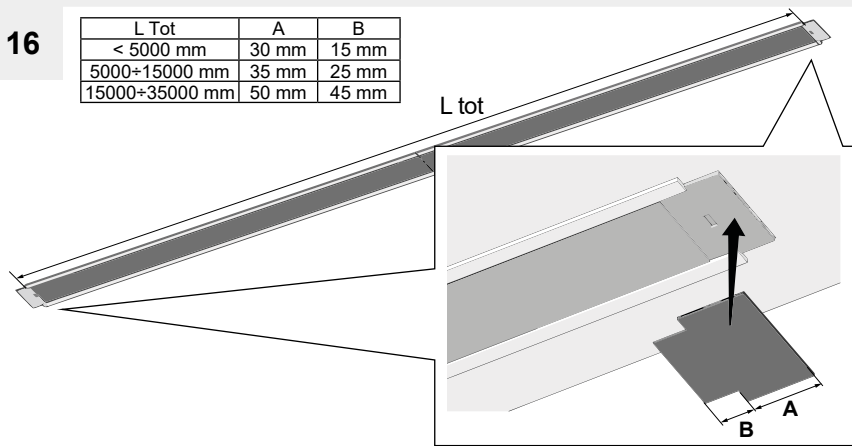
15



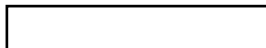
L Tot [mm]			Z [mm]
1184	1184 mm	✗	~10
1480	2368 mm	✓	~10
1776	2368 mm	✓	~10
2368	2368 mm	✗	~10
2960	2960 [mm]	✗	~10
2960 L Tot < 5000		✓	10
5000 L Tot < 15000		✓	15
15000 L Tot < 35000		✓	25

16

L Tot	A	B
< 5000 mm	30 mm	15 mm
5000+15000 mm	35 mm	25 mm
15000+35000 mm	50 mm	45 mm



**Artemide**<sup>®</sup>  
ARCHITECTURAL



## **Artemide Spa**

via Bergamo, 18  
20006 Pregnana M.se (MI)  
ITALIA

Tel. +39 02 935 181  
Fax +39 02 935 90 254  
Fax +39 02 935 90 496

[www.artemide.com](http://www.artemide.com)

VAT IT00846890150

cod. Y513000913C