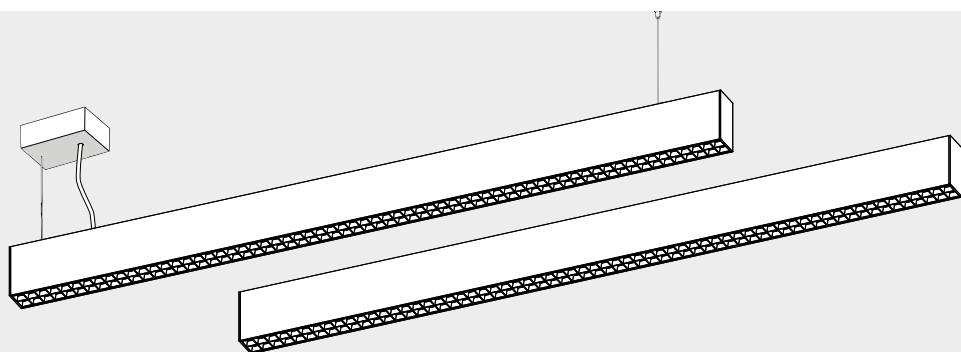


## A.39 MICRO REFRACTIVE

design  
Carlotta de Bevilacqua

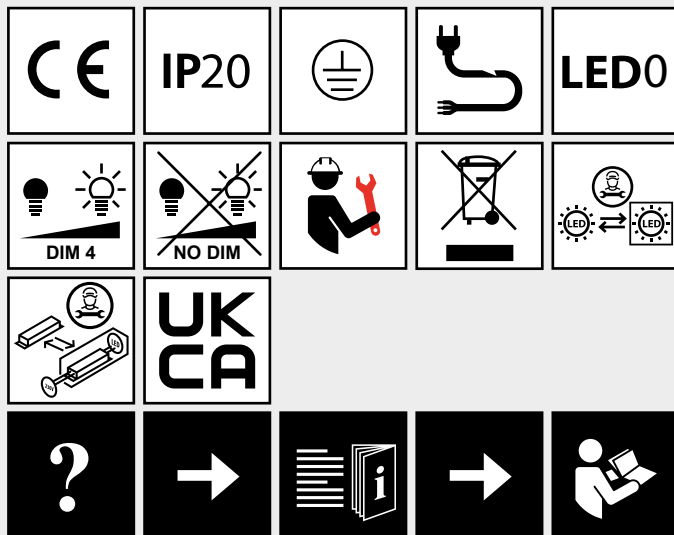


| TYPE | LENGTH [mm] | POWER [W] | Inrush current [A] | Inrush current time [µsec] | Nr. of power units under same MCB |      |      | Nr. of DALI addresses |
|------|-------------|-----------|--------------------|----------------------------|-----------------------------------|------|------|-----------------------|
|      |             |           |                    |                            | B16A                              | C16A | C20A |                       |
|      | 1184        | 19        | 23                 | 221                        | 20                                | 38   | 55   | 1                     |
|      | 1482        | 24        | 23                 | 221                        | 19                                | 36   | 53   | 1                     |
|      | 2368        | 38        | 25,1               | 214                        | 16                                | 31   | 43   | 1                     |
|      | 2960        | 47        | 25,1               | 214                        | 12                                | 26   | 37   | 1                     |
|      | 1184        | 36        | 39,5               | 221                        | 15                                | 30   | 42   | 2                     |
|      | 1482        | 44        | 39,5               | 221                        | 13                                | 27   | 38   | 2                     |
|      | 2368        | 68        | 41,6               | 214                        | 9                                 | 17   | 24   | 2                     |
|      | 2960        | 86        | 49,1               | 220                        | 7                                 | 14   | 20   | 2                     |

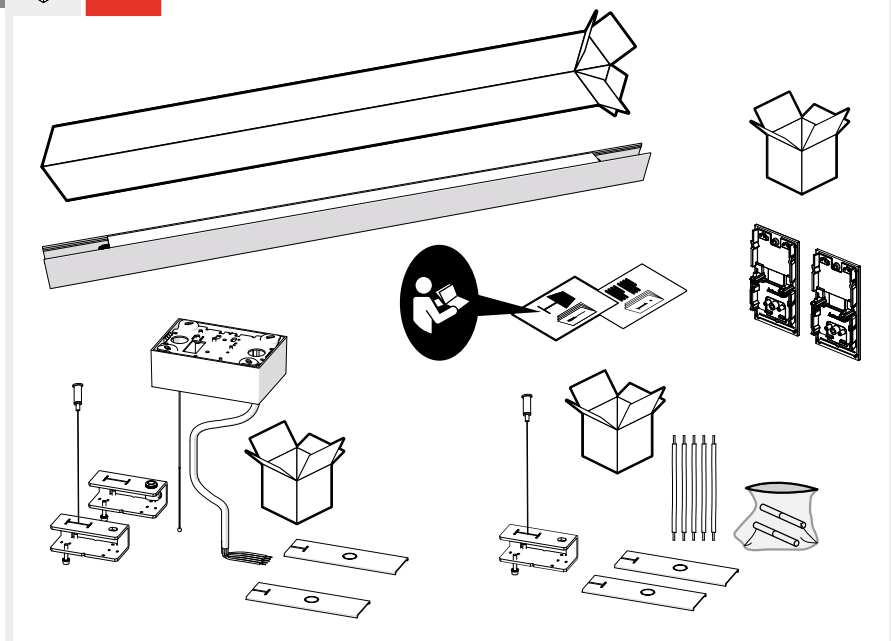


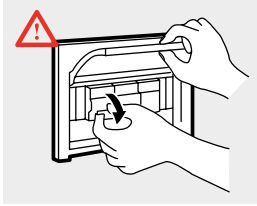


i

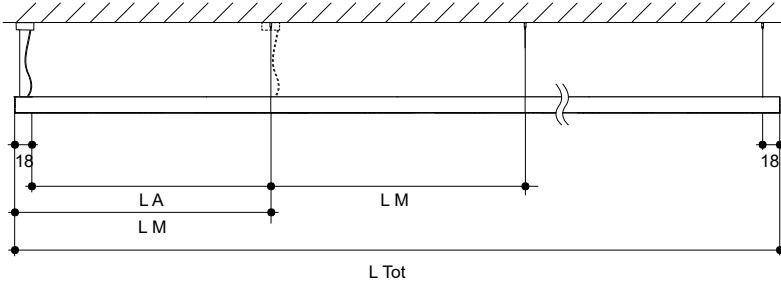
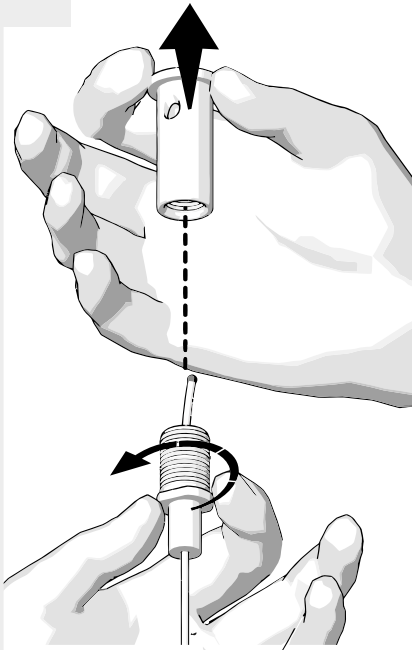
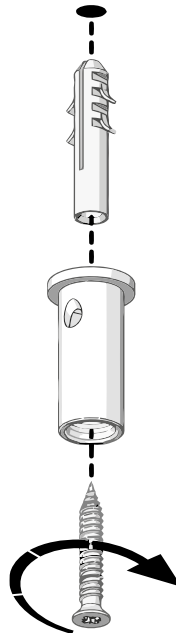


## A.39 MICRO REFRACTIVE SUSPENSION

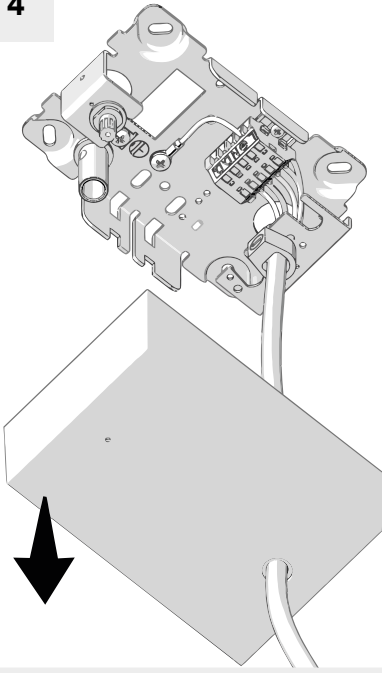


**1**

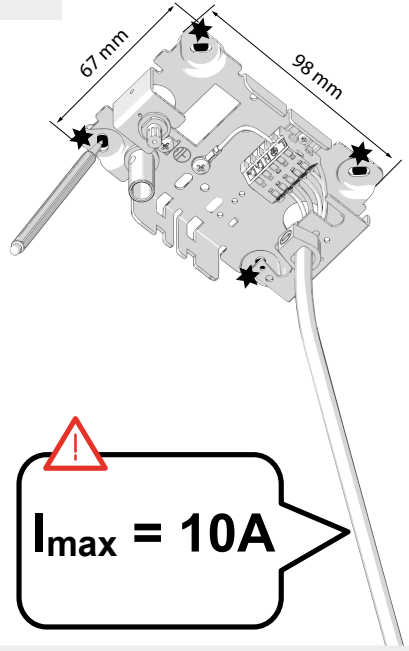
| SUSPENSION WIRES LAYOUT |          |      |
|-------------------------|----------|------|
| LM [mm]                 | LA mm    | ⊕ Kg |
| 1184                    | LM-18 mm | 2,3  |
| 1480                    |          | 2,9  |
| 2368                    |          | 4,4  |
| 2960                    |          | 5,7  |

**2****3**

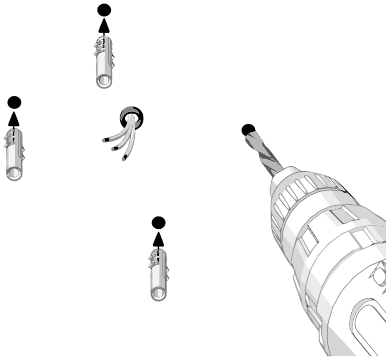
4



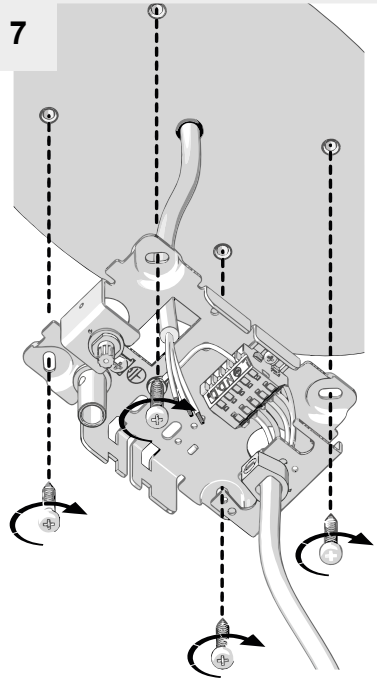
5

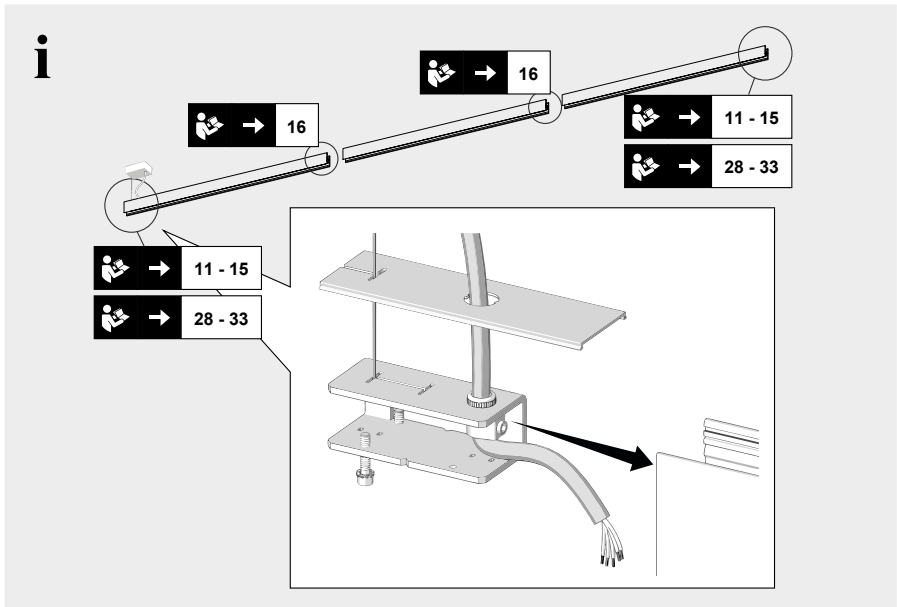
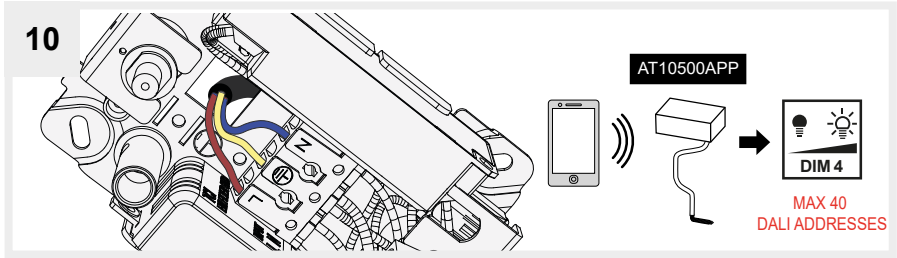
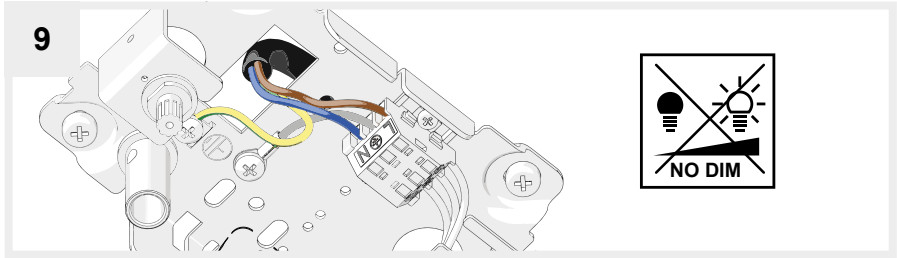
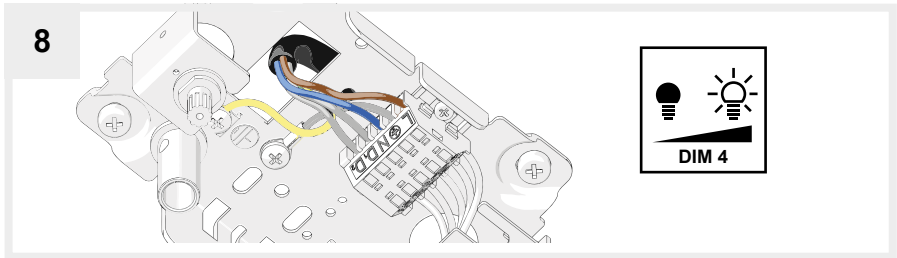


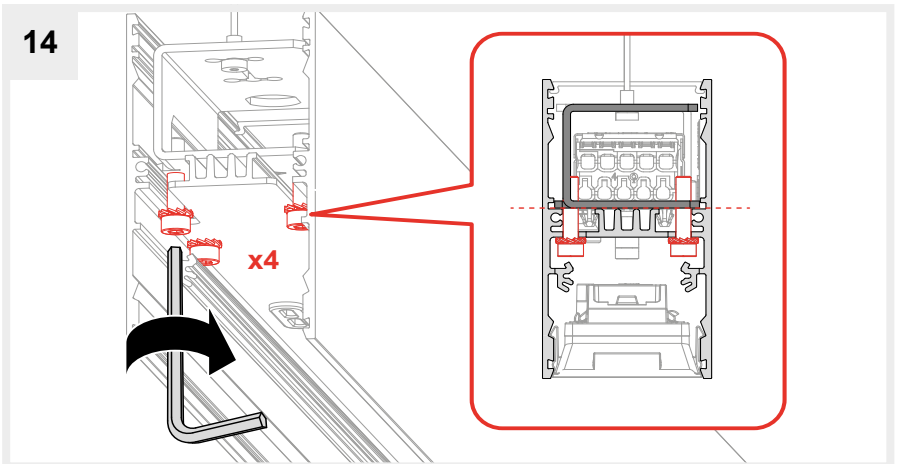
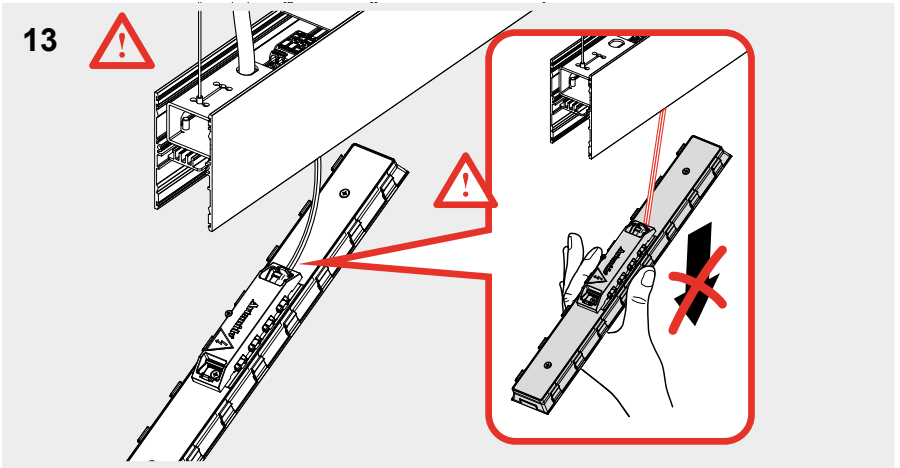
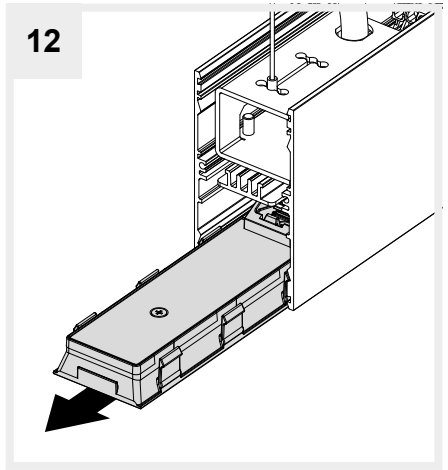
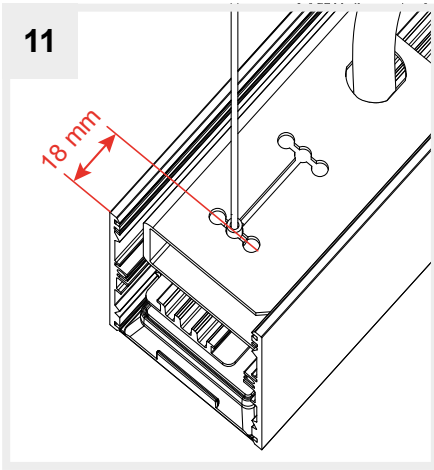
6



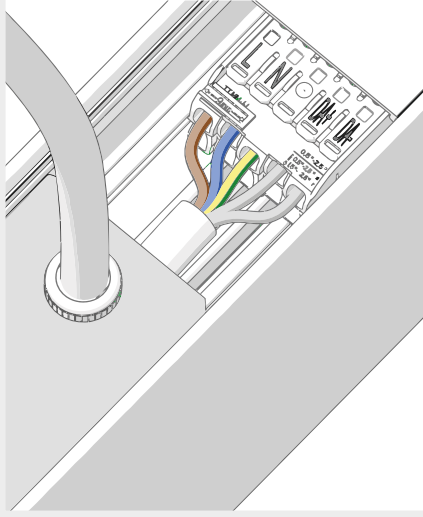
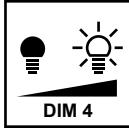
7



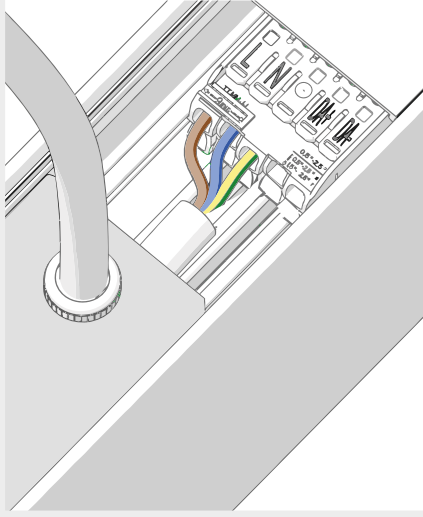




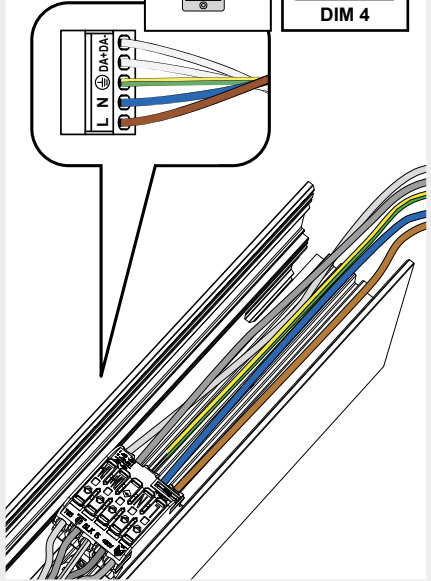
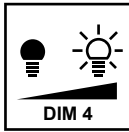
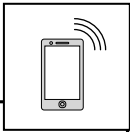
15a



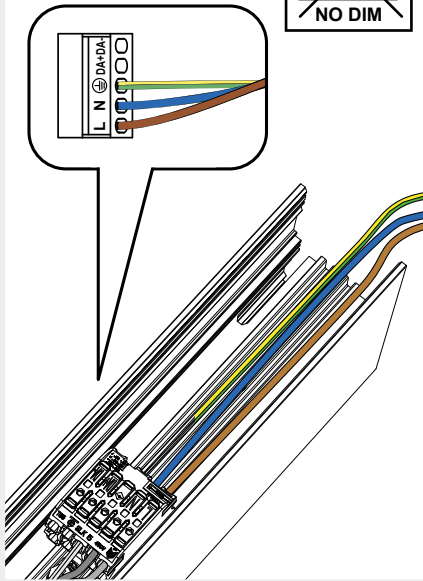
15b



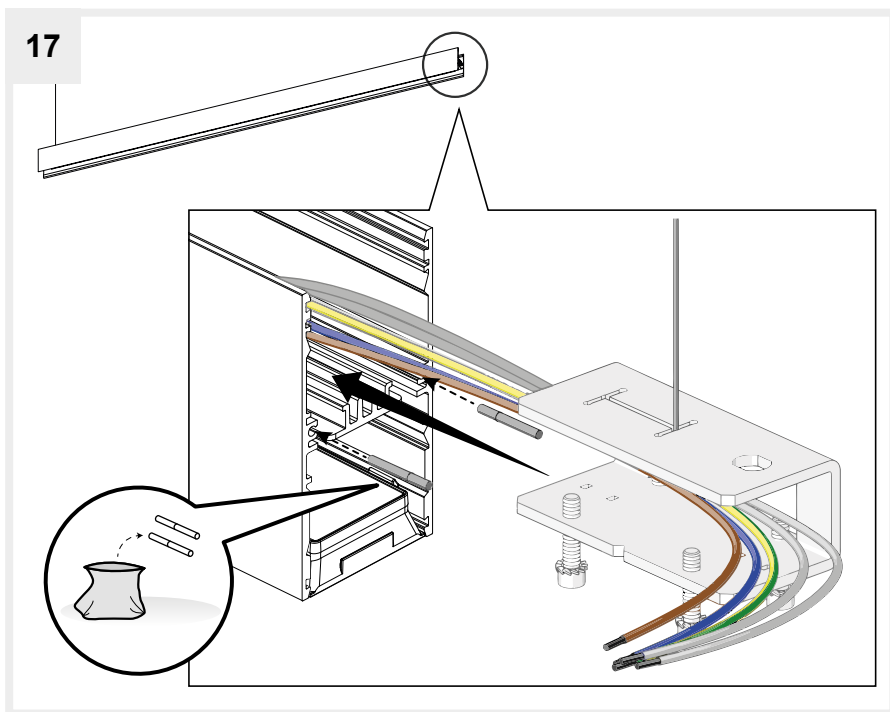
16a



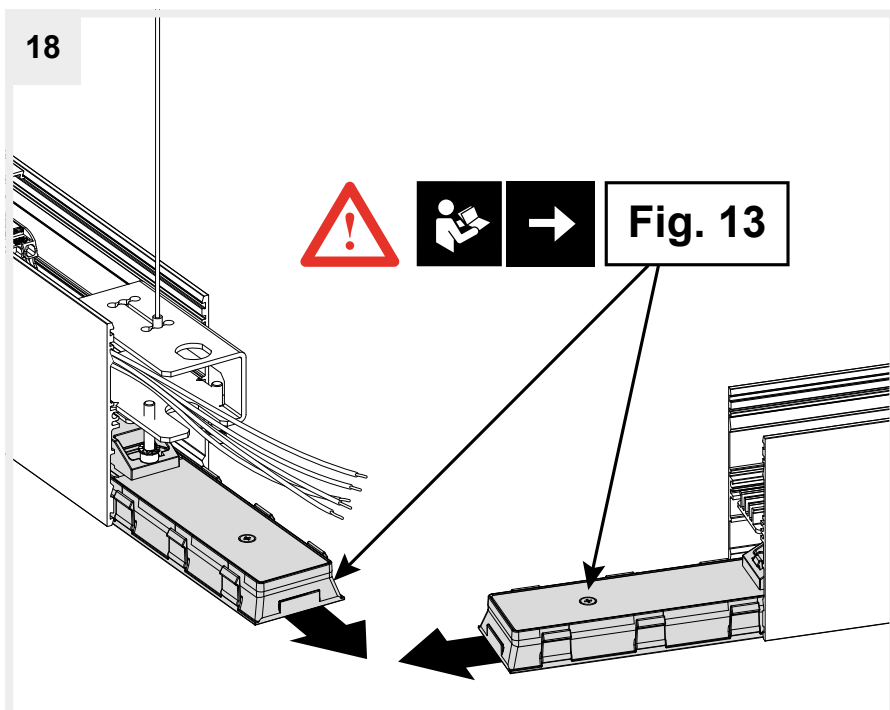
16b



17

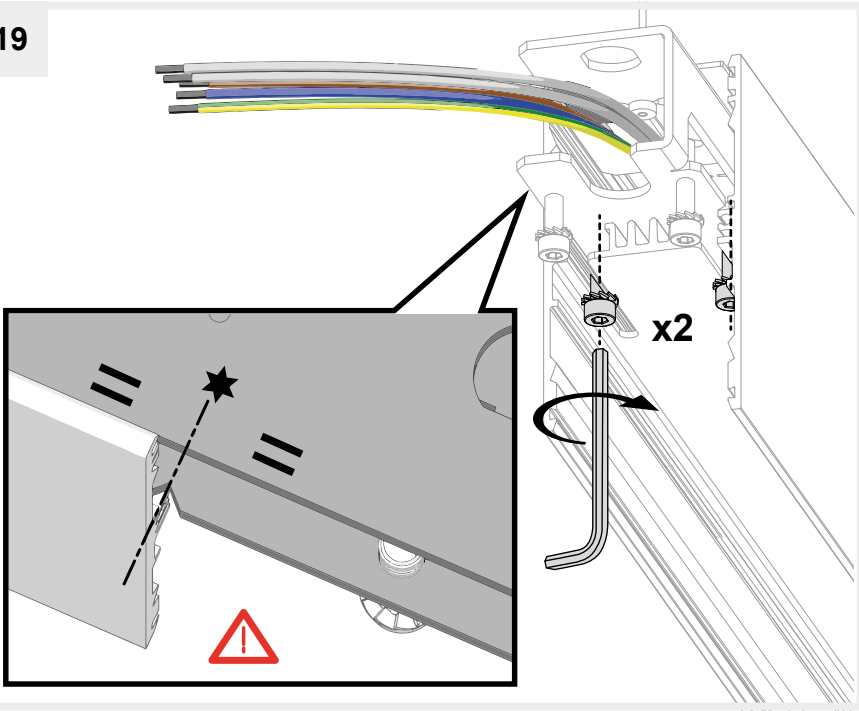


18

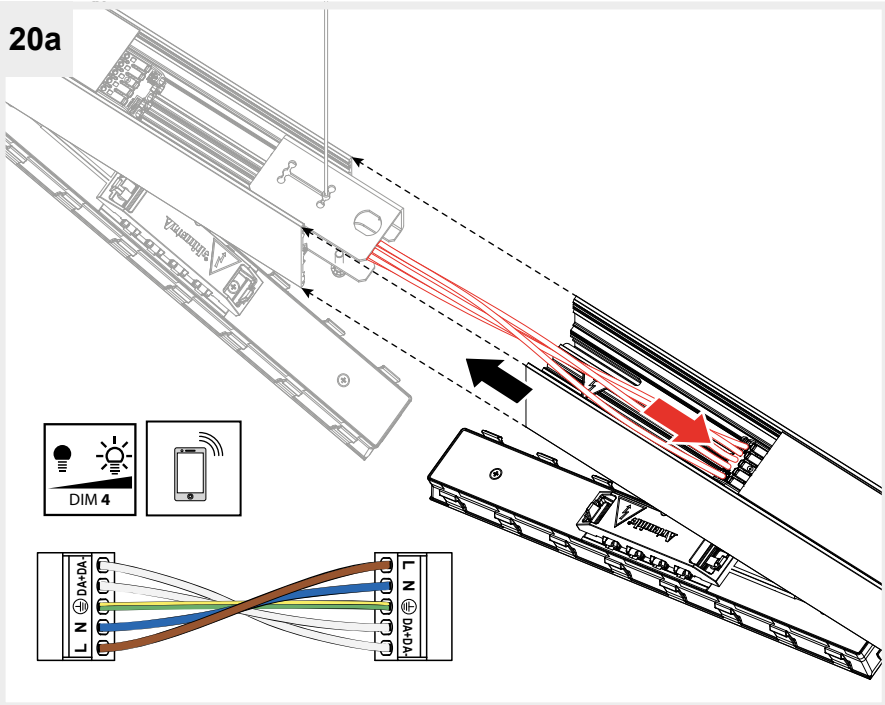




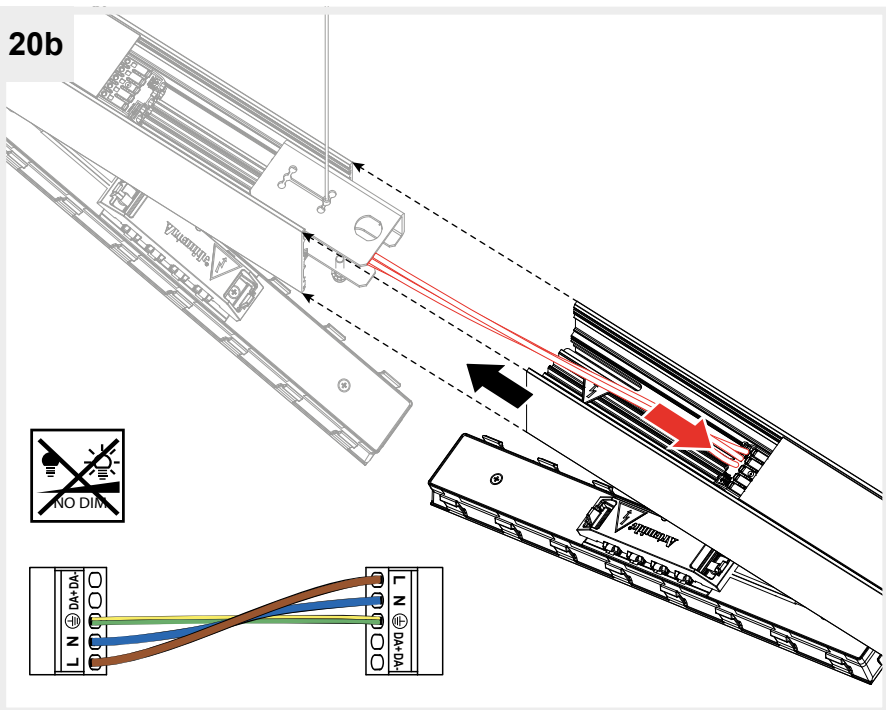
19



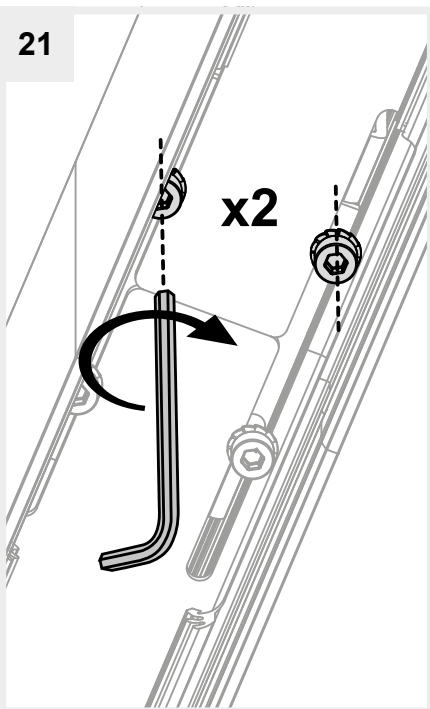
20a



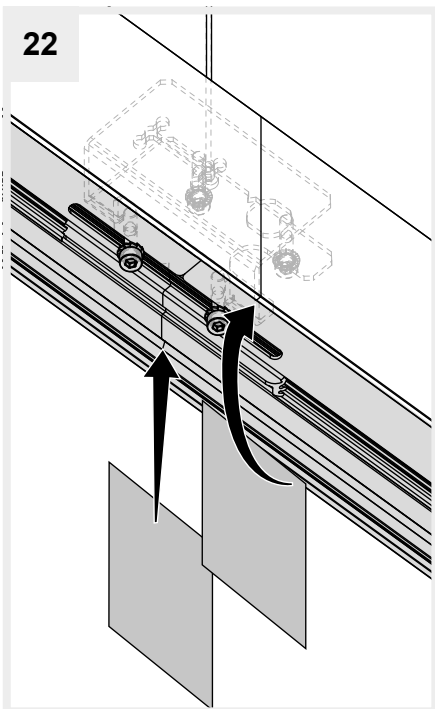
20b



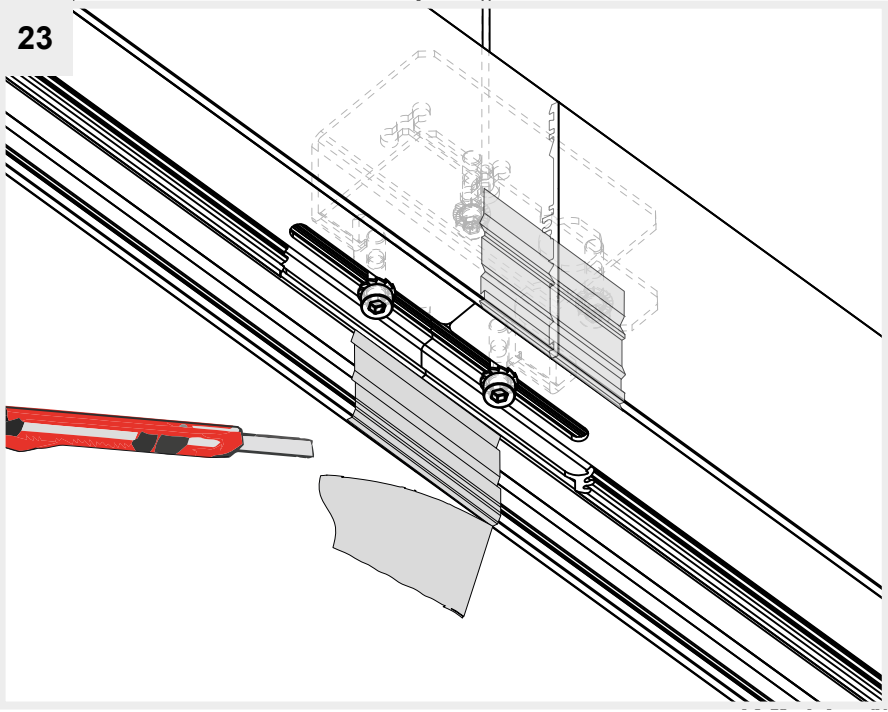
21



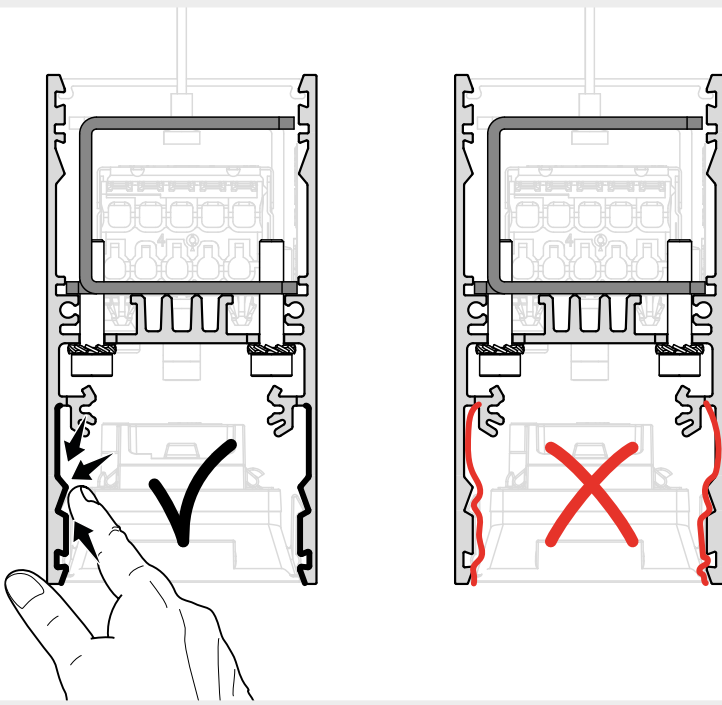
22



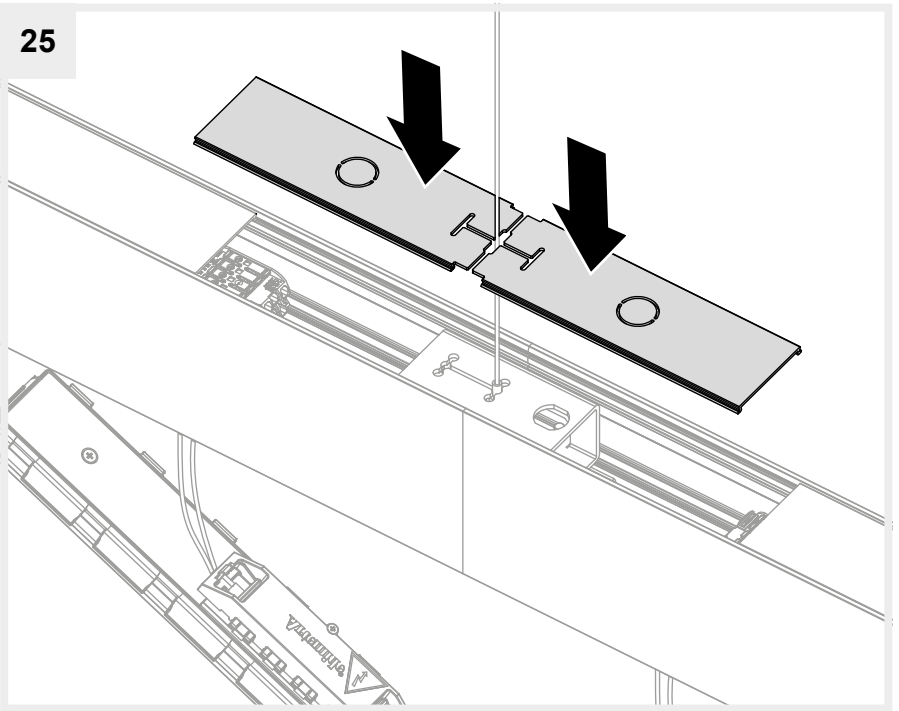
23



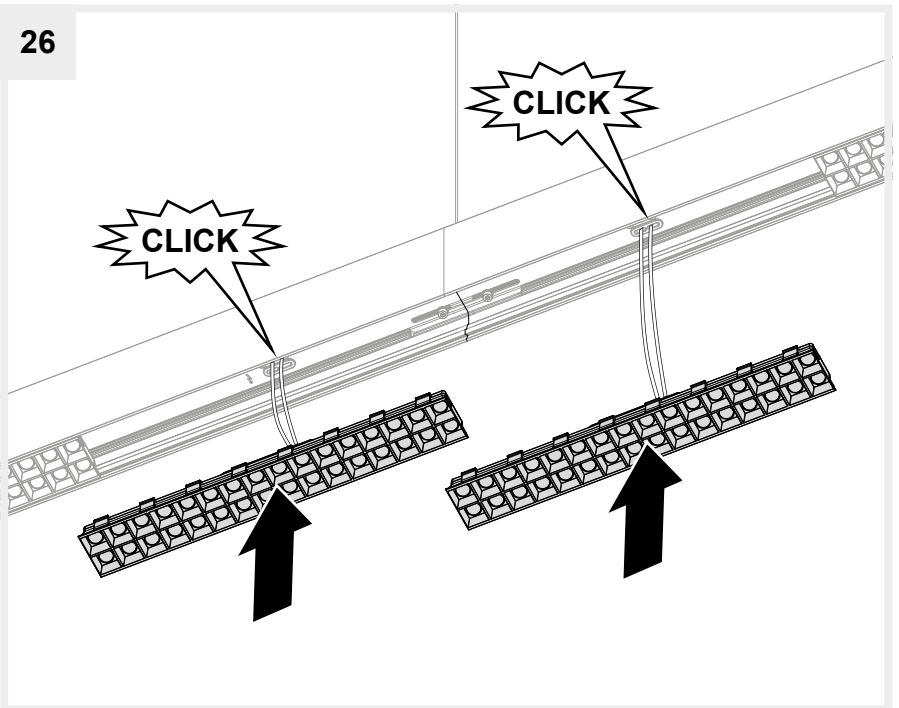
24



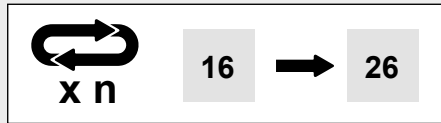
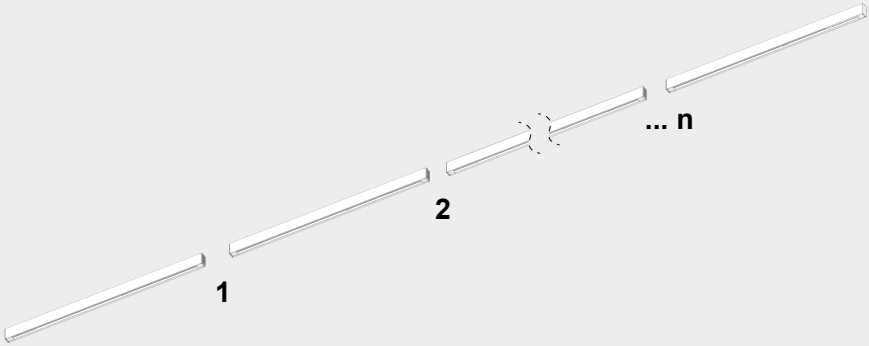
25



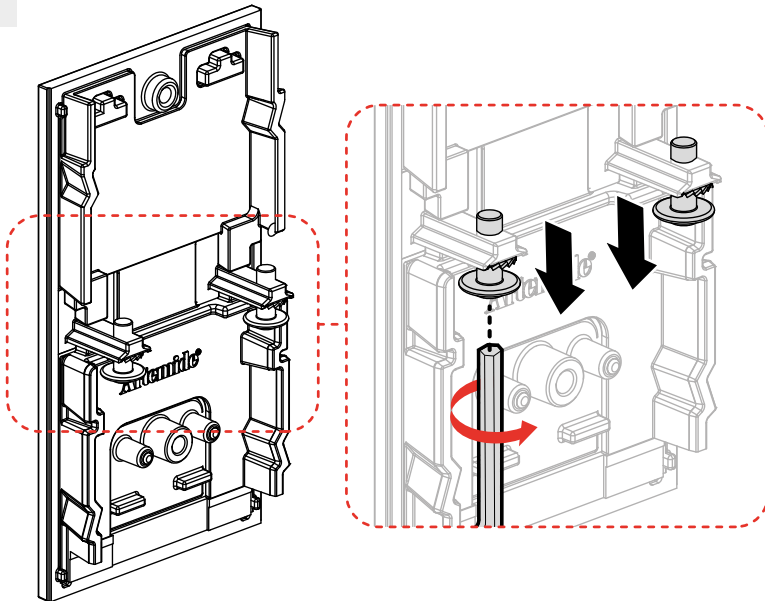
26

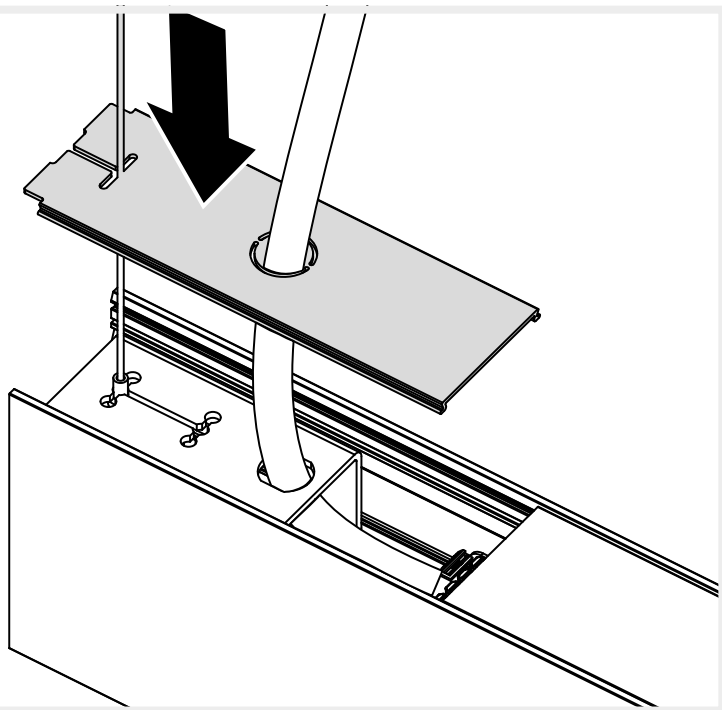


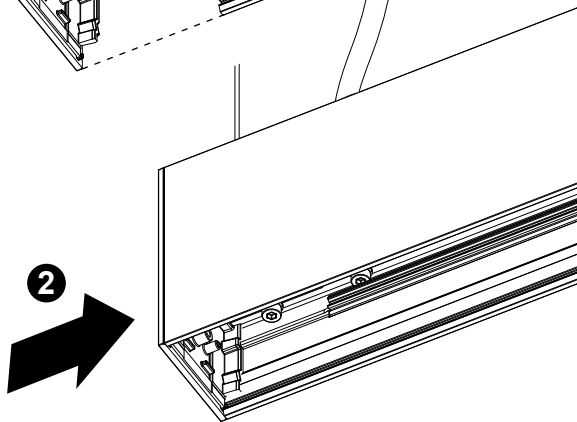
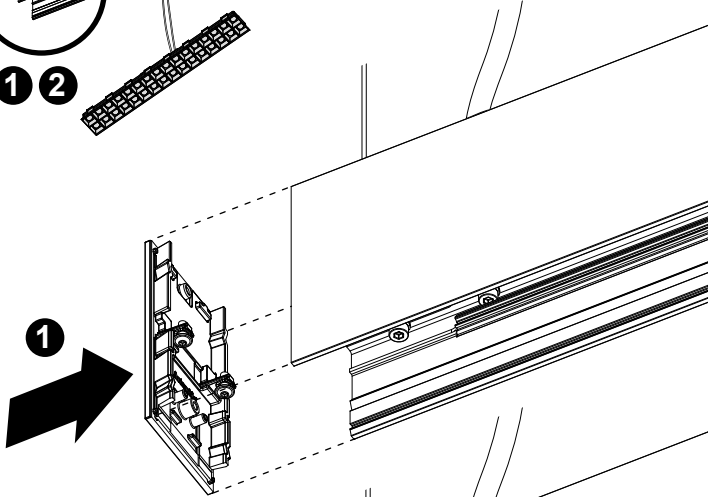
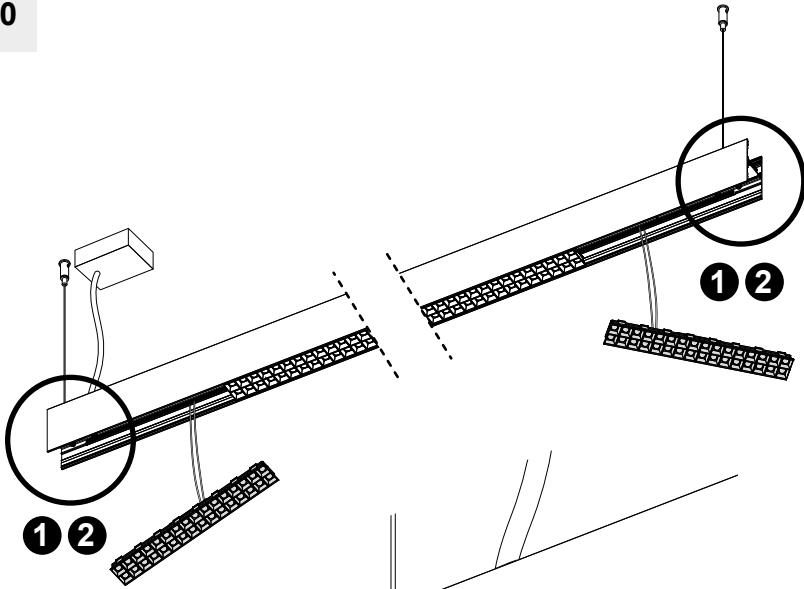
27



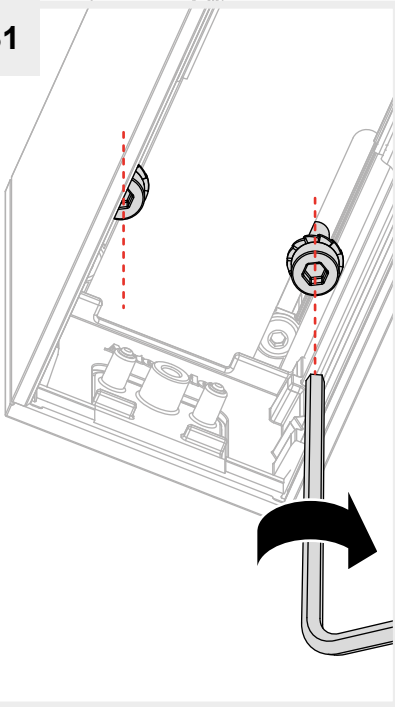
28



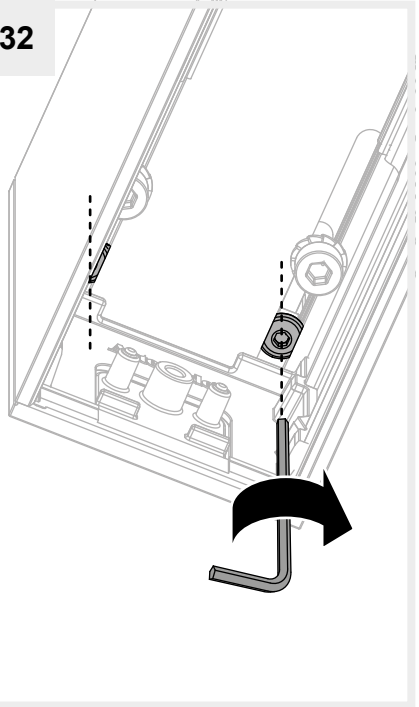




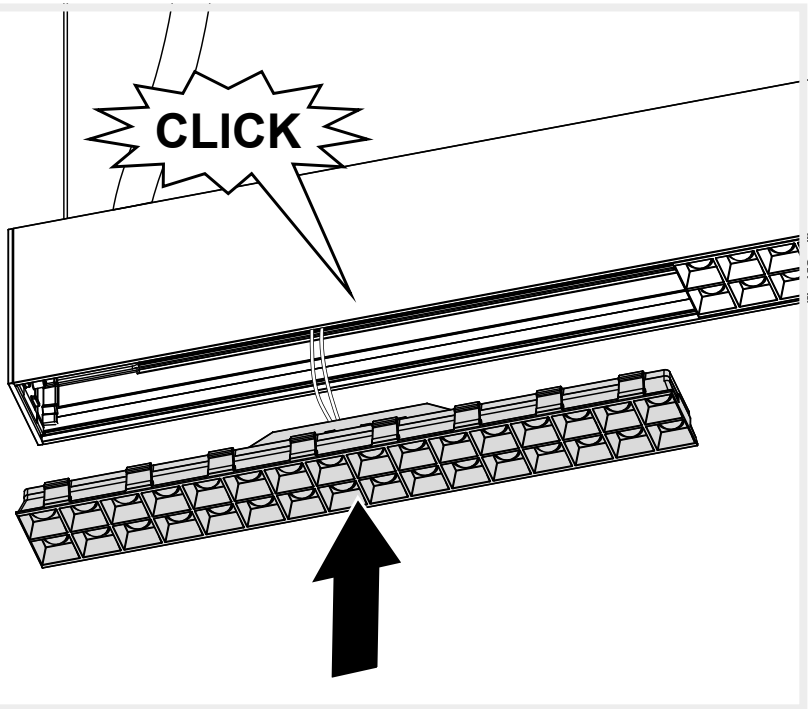
31



32



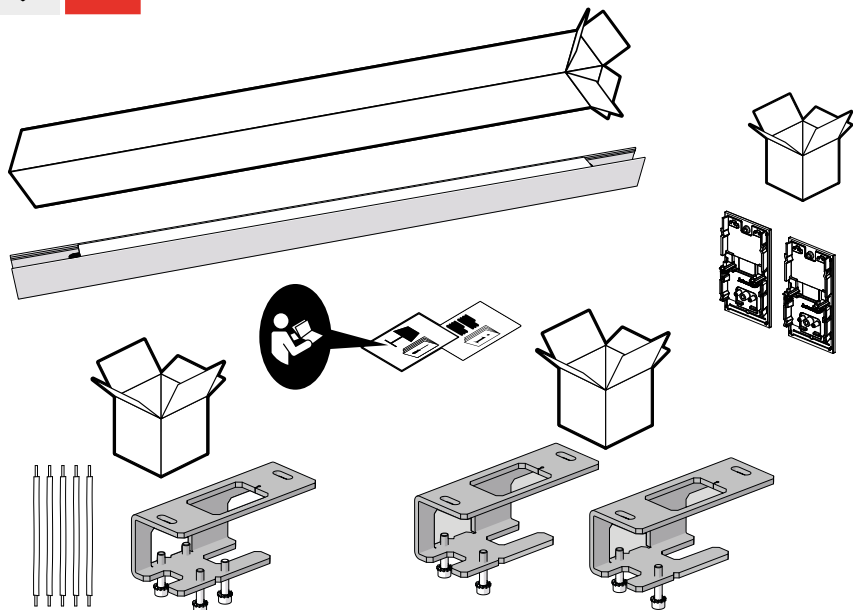
33



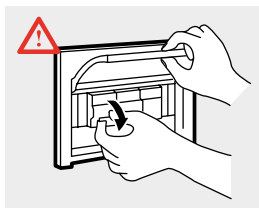




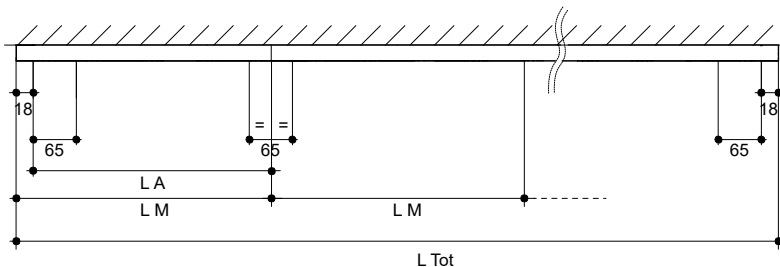
# A.39 MICRO REFRACTIVE CEILING



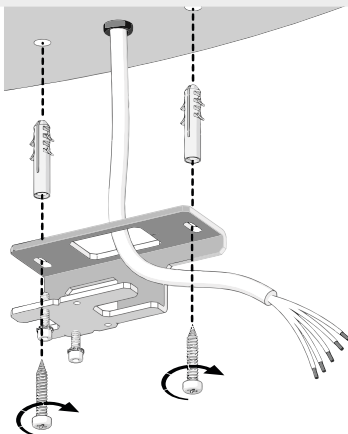
1



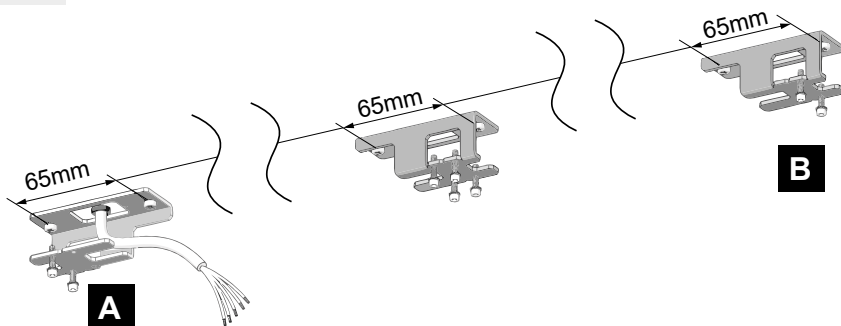
| CEILING DRILING LAY-OUT |          |      |
|-------------------------|----------|------|
| LM [mm]                 | LA [mm]  | ⊕ Kg |
| 1184                    | LM-18 mm | 2,3  |
| 1480                    |          | 2,9  |
| 2368                    |          | 4,4  |
| 2960                    |          | 5,7  |



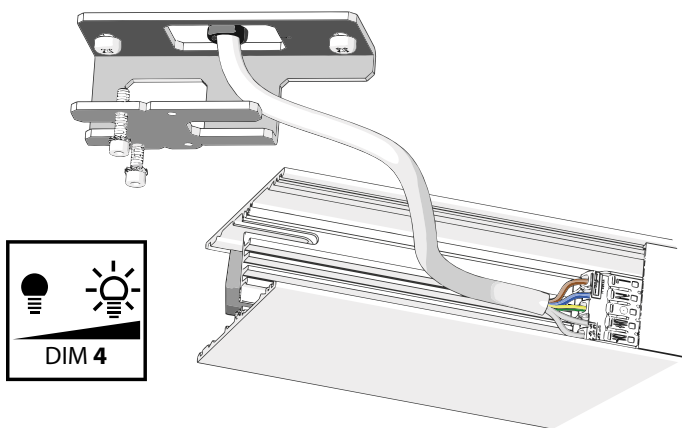
2



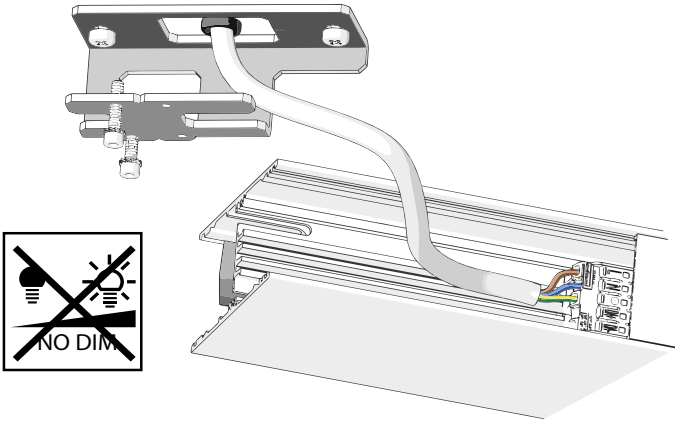
3



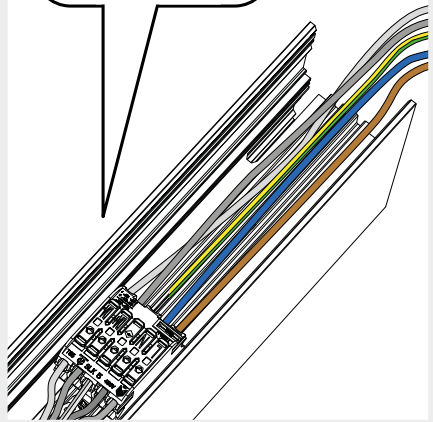
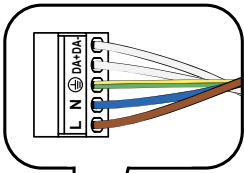
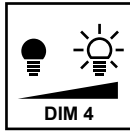
4a



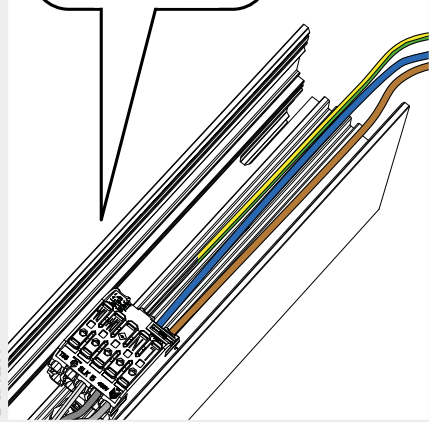
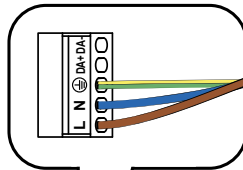
4b



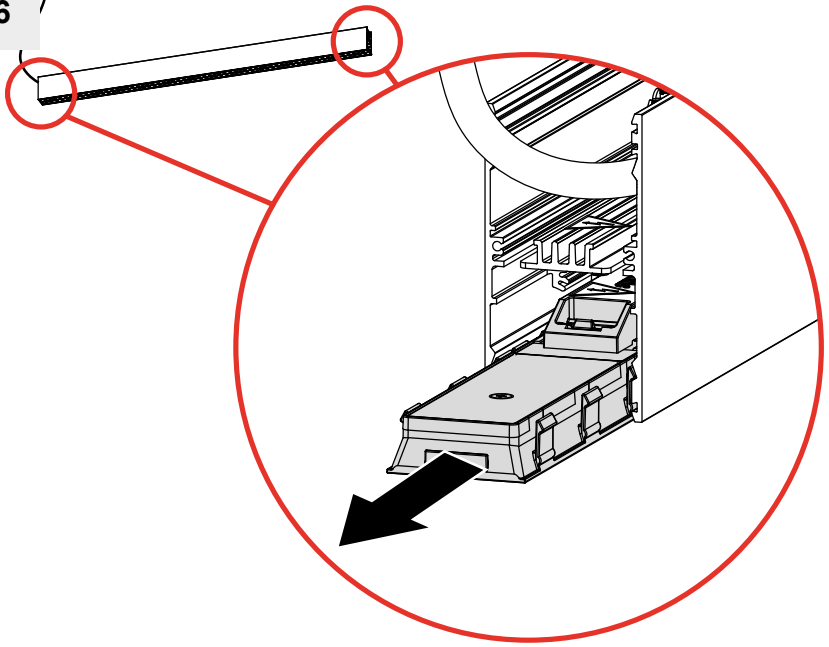
5a



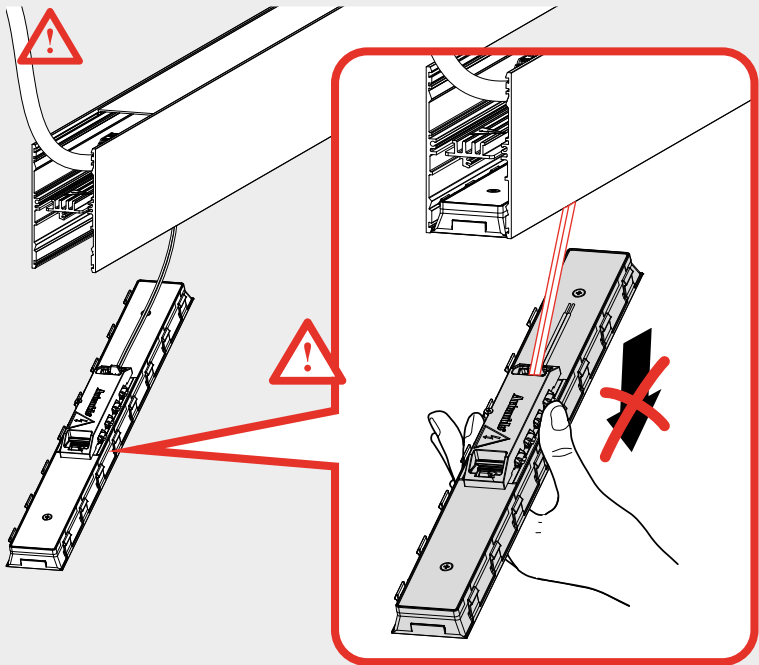
5b



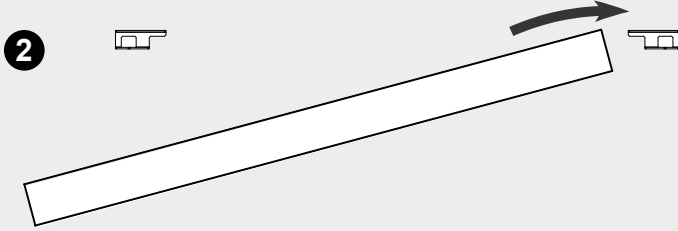
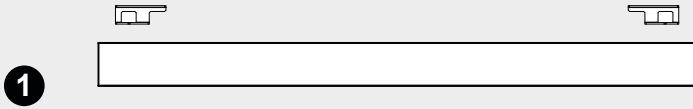
6

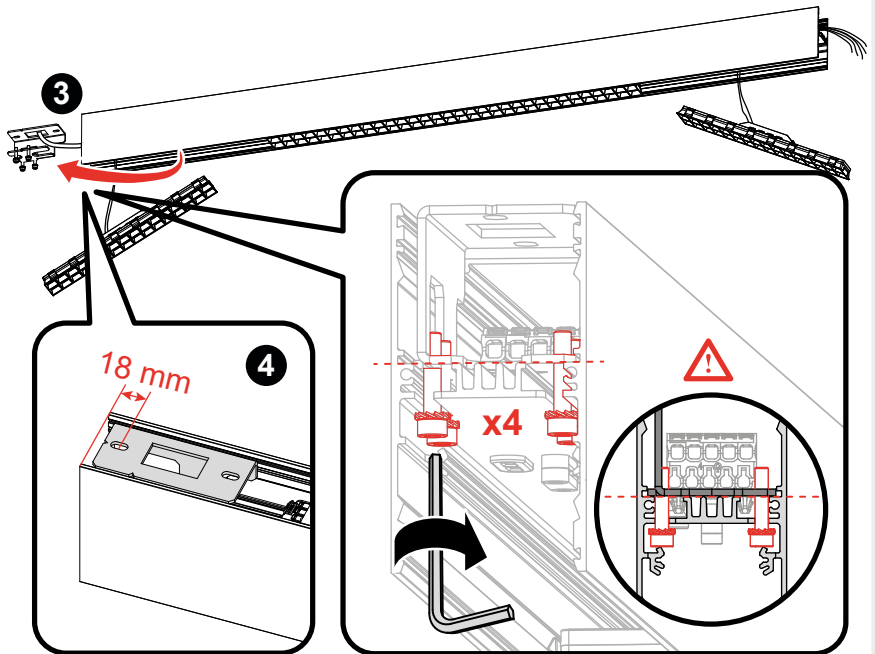
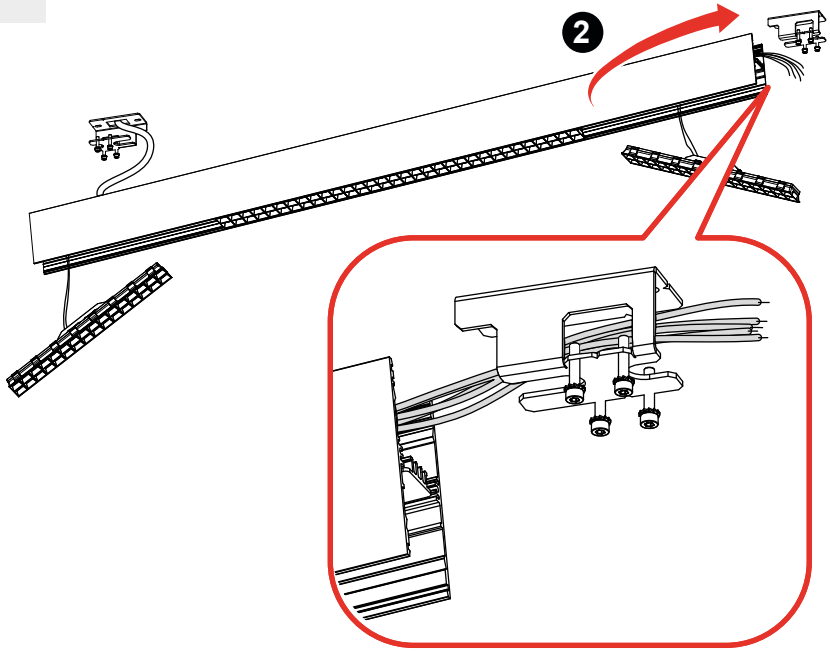


7

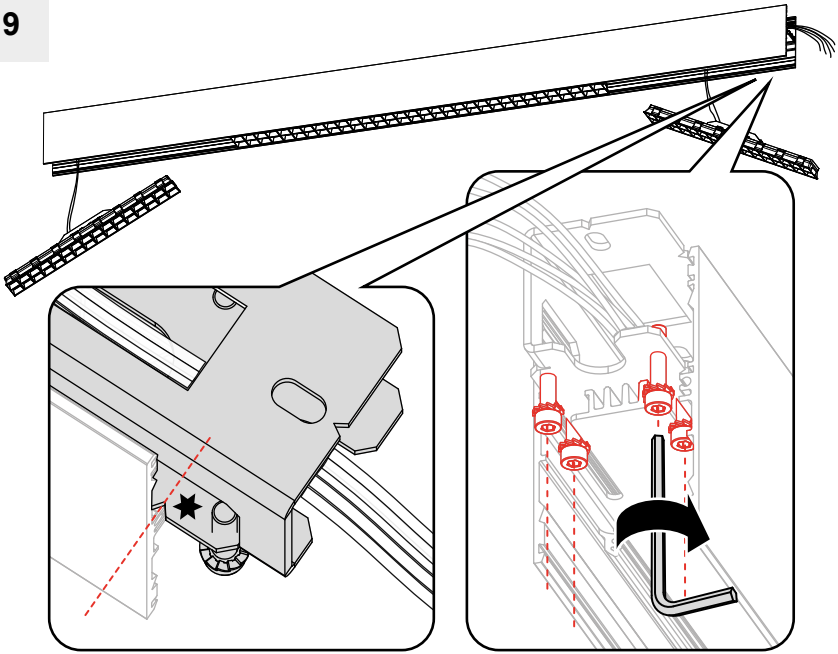


**i**

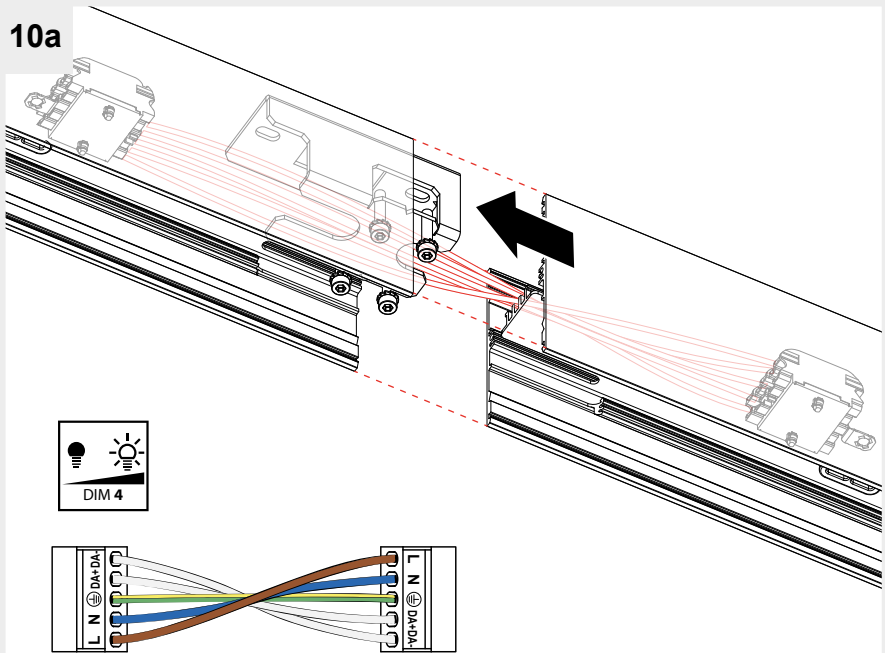


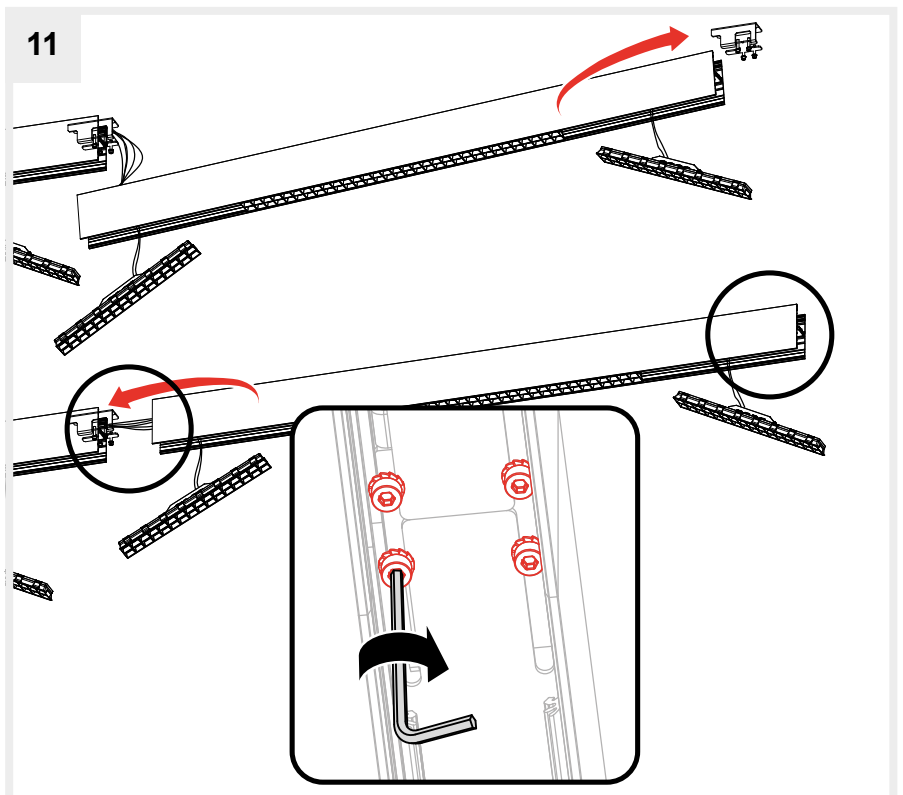
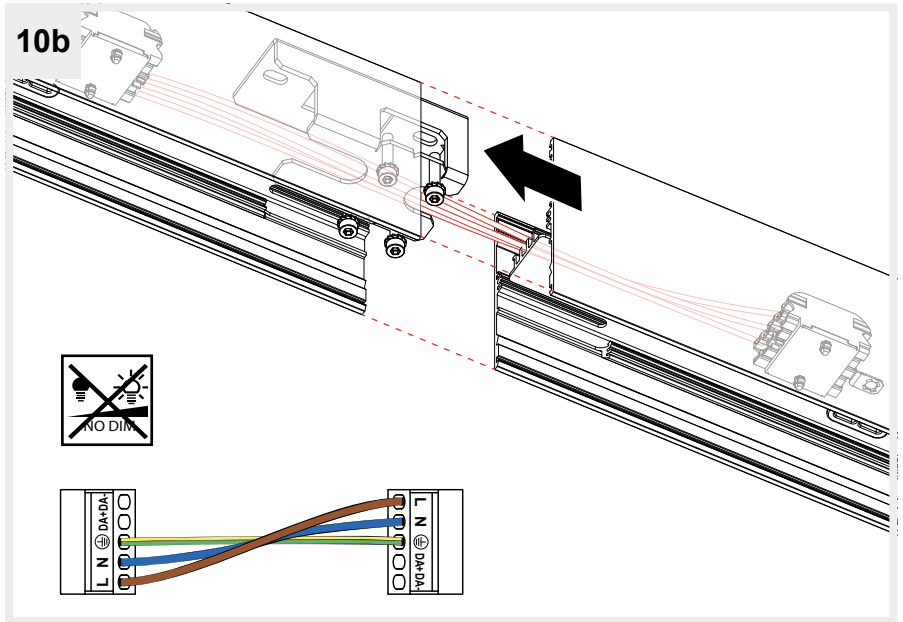


9



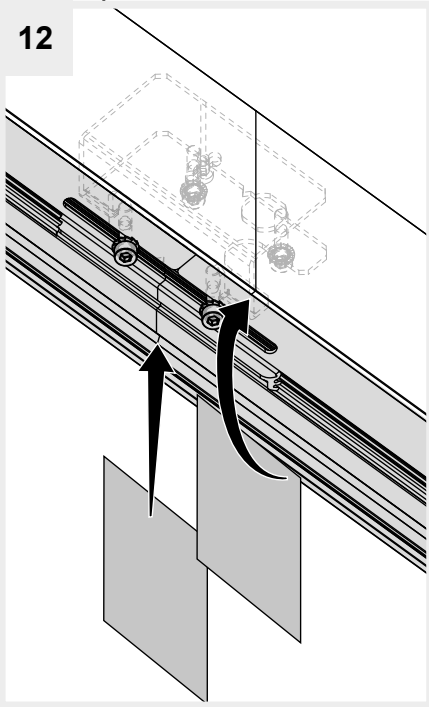
10a



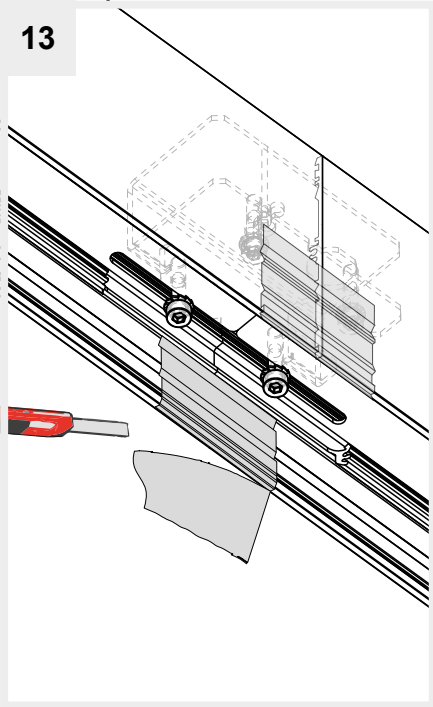




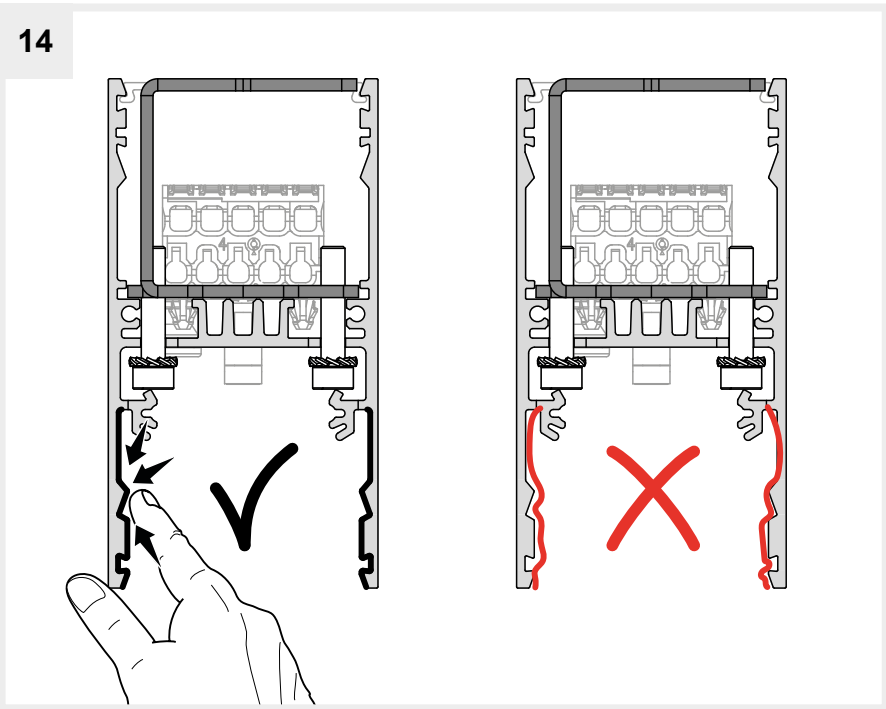
12



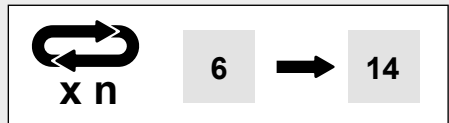
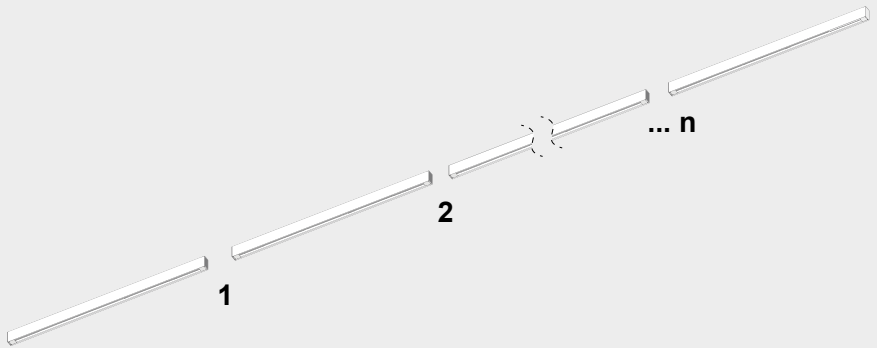
13



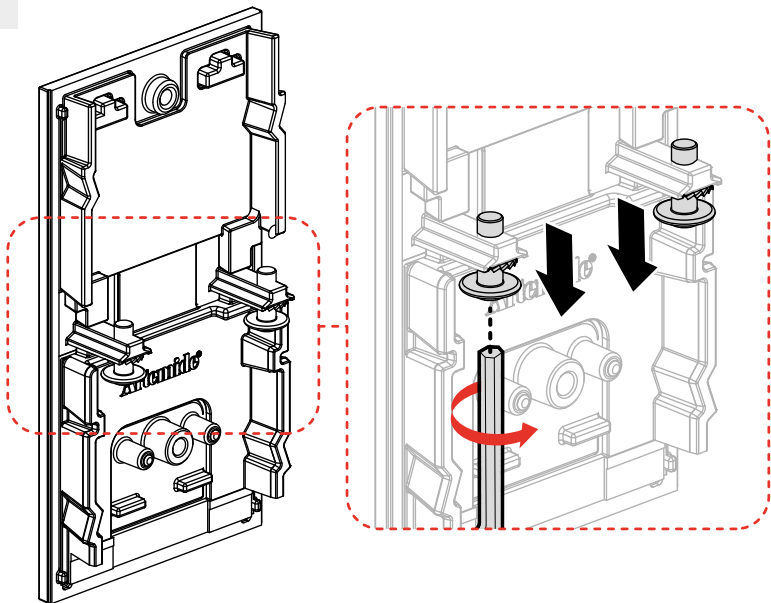
14

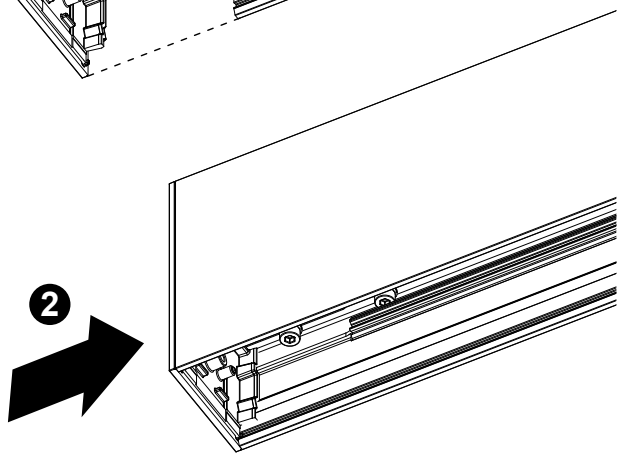
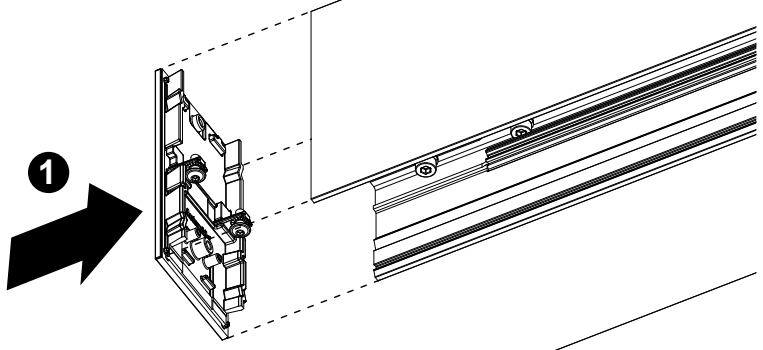
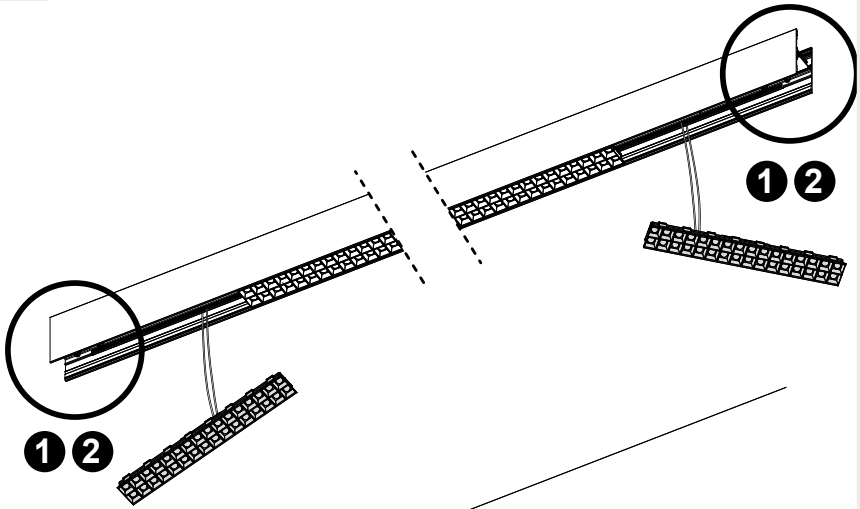


15

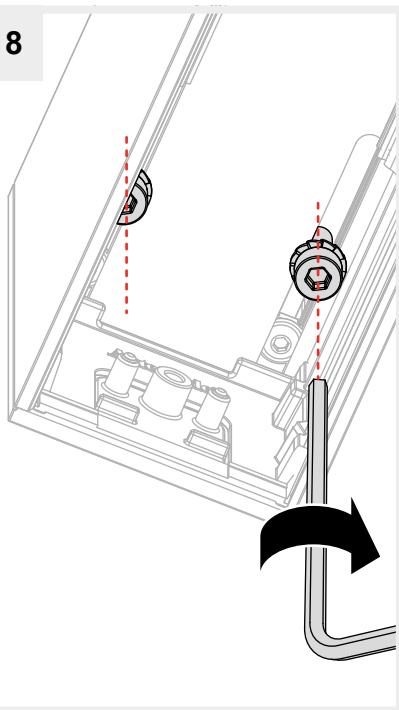


16

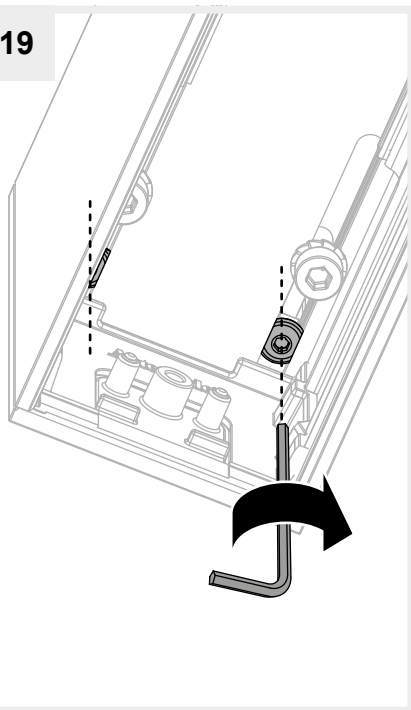




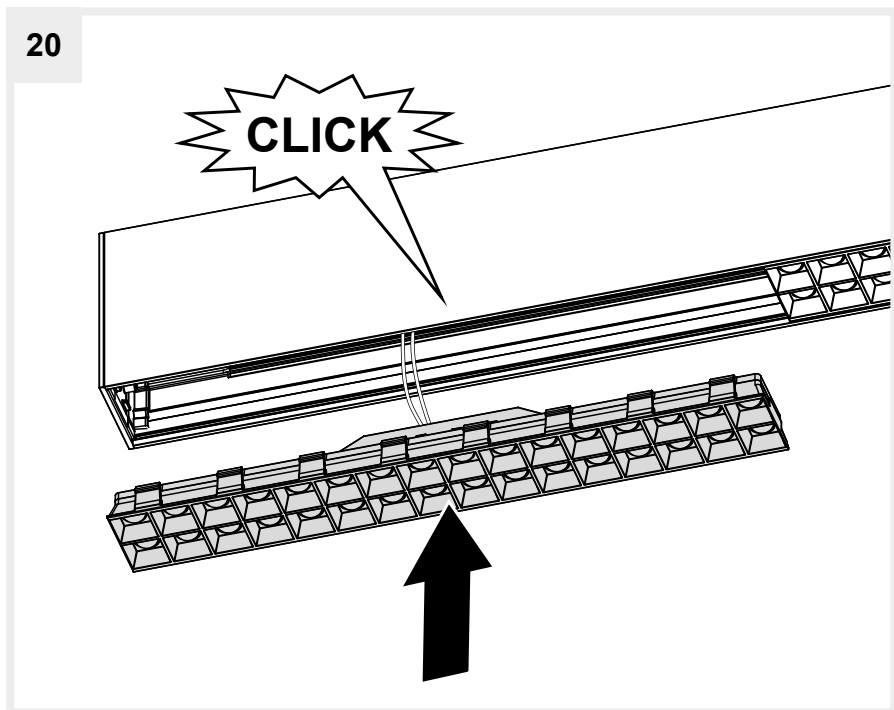
18

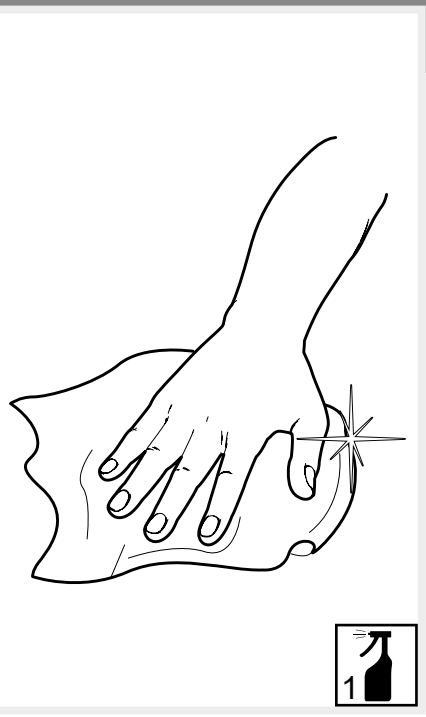
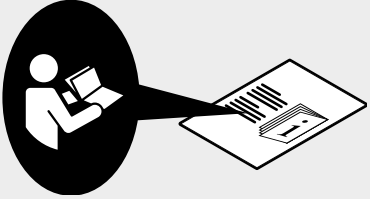


19



20

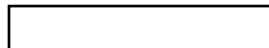








**Artemide®**



**Artemide**

via Bergamo, 18  
20006 Pregnana M.se (MI)  
ITALIA

tel. +39 02 935 181  
fax +39 02 935 90 254  
fax +39 02 935 90 496

[www.artemide.com](http://www.artemide.com)

VAT IT00846890150

cod. Y513001927B