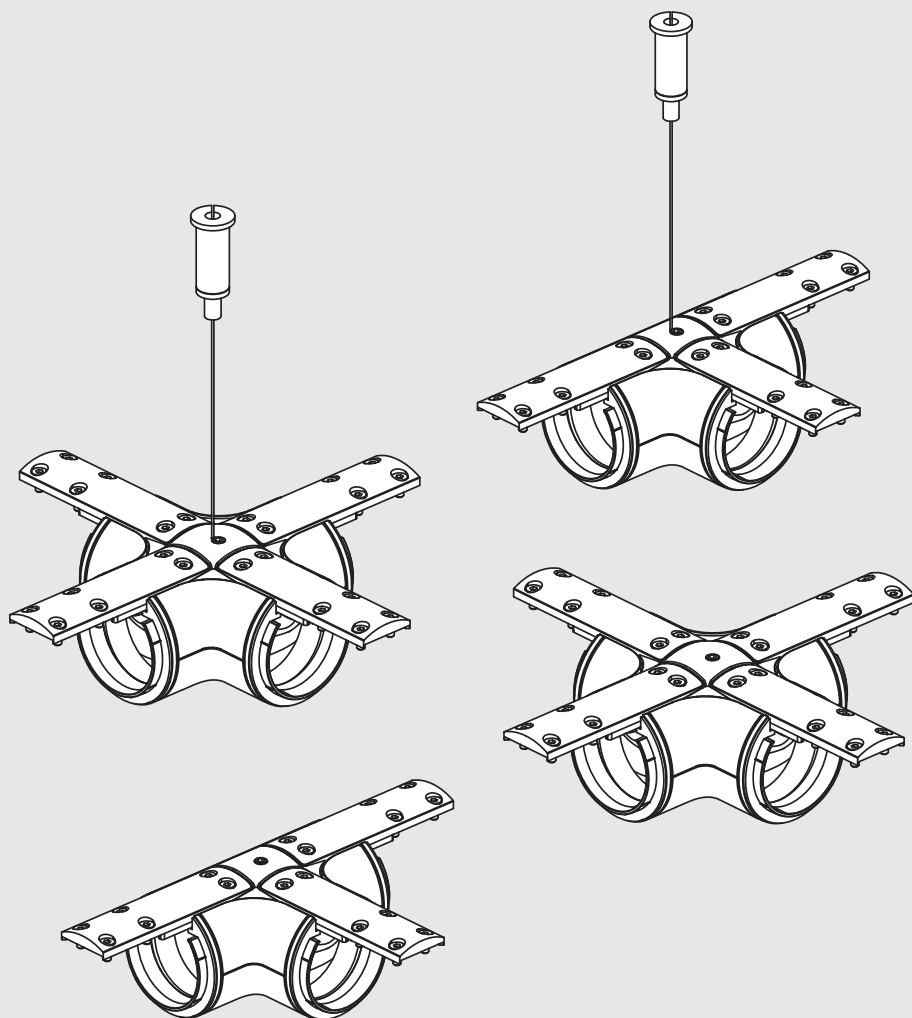


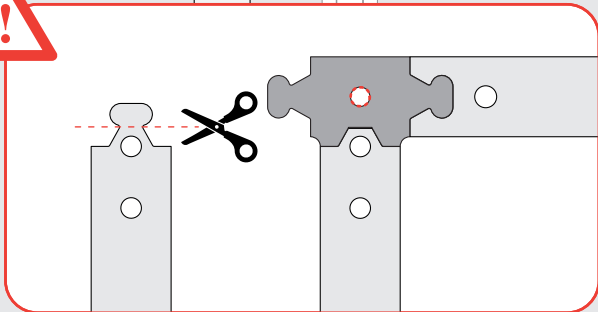
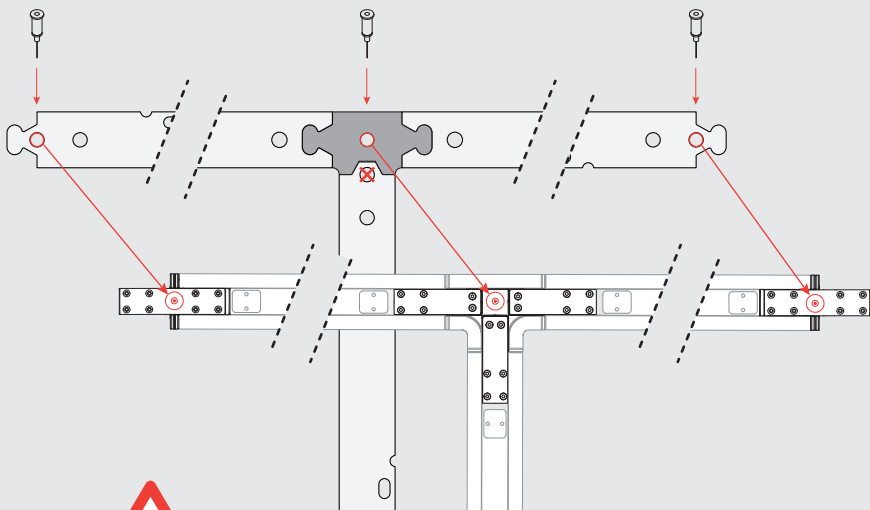
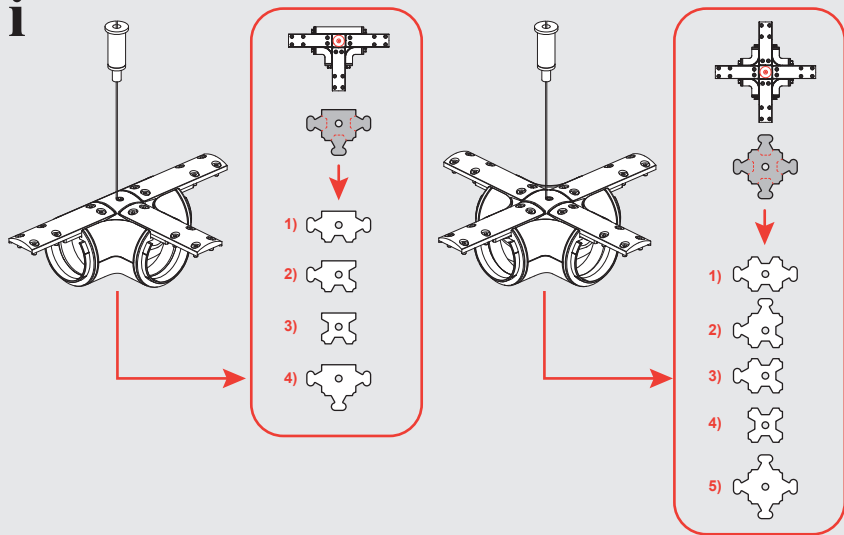
AOL SYSTEM T - X JOINTS INSTALLATION NOTES

design
BIG

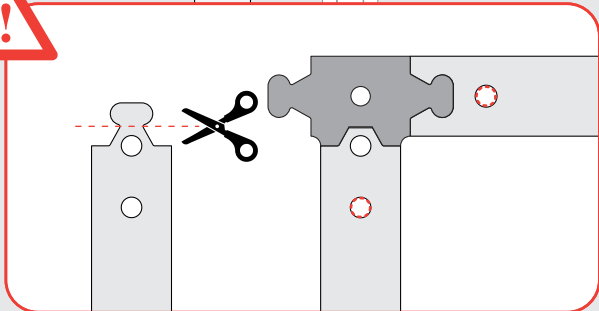
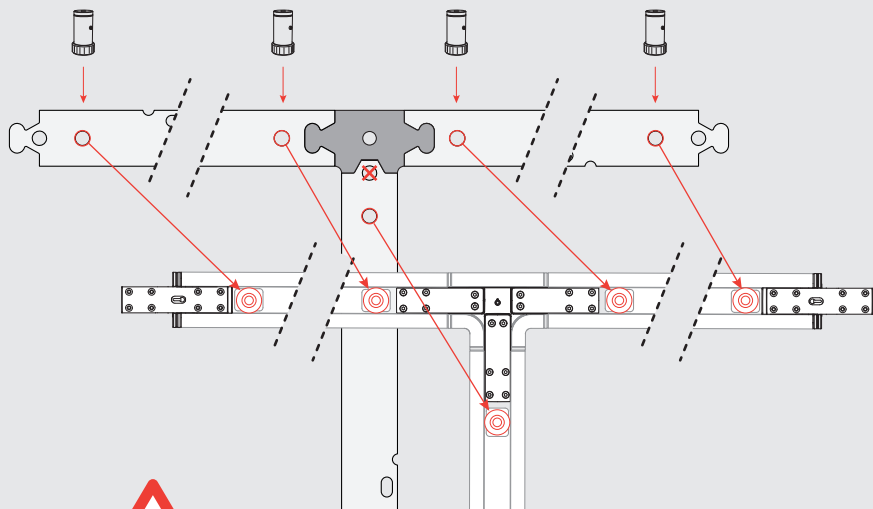
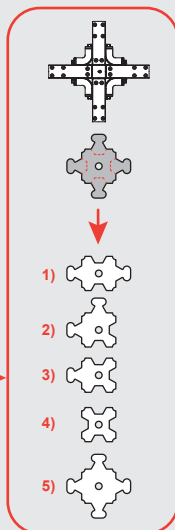
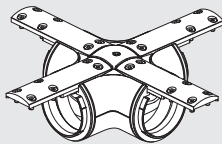
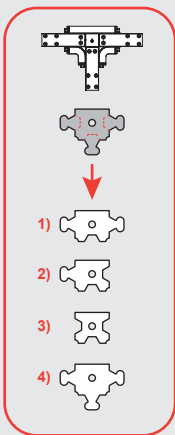
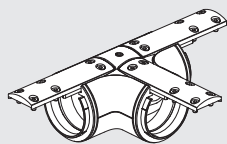


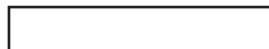


i



i





AOL SYSTEM SUSPENSION / CEILING	Y513001156
AOL SYSTEM SUSPENSION / CEILING UL	Y513001157
AOL SYSTEM SEMI-RECESSED	Y513001158
AOL SYSTEM SUSPENSION / CEILING WITH RECESSED POWER KIT	Y513001222

Artemide

via Bergamo, 18
20006 Pregnana M.se (MI)
ITALIA

tel. +39 02 935 181
fax +39 02 935 90 254
fax +39 02 935 90 496

www.artemide.com

VAT IT00846890150

Artemide Inc.

250 Karin Lane
Hicksville, NY 11801

tel. 631 694 9292
Toll Free 1-877-Art-9111
Fax 631 694 9275

www.artemide.net

Artemide Ltée/Ltd.

11105 rue Renaude Lapointe
Montréal, Québec H1J 2T4

Tel. 514 323 6537
Toll Free 888 777 2783
Fax 514 323 8864

www.artemide.net