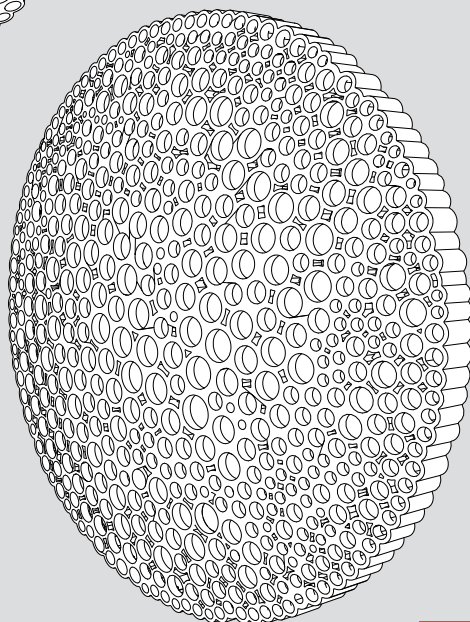
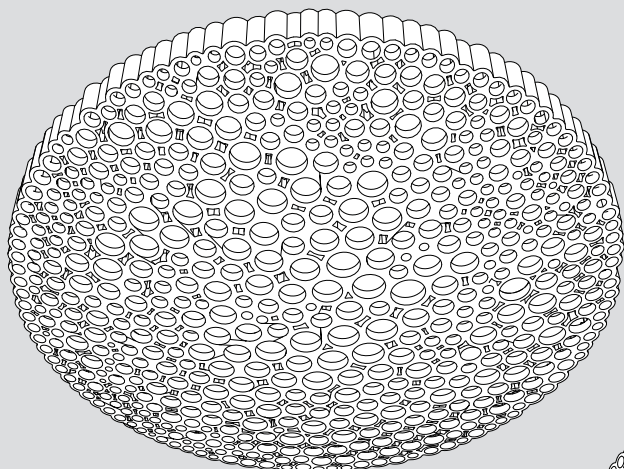


Artemide®

Calipso

design
N. Poulton

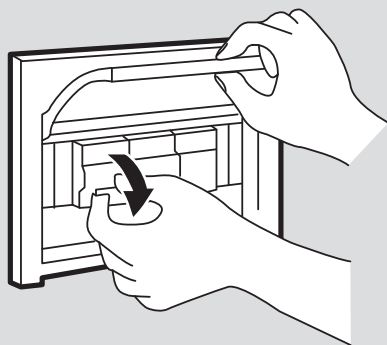
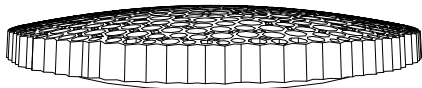
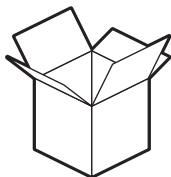




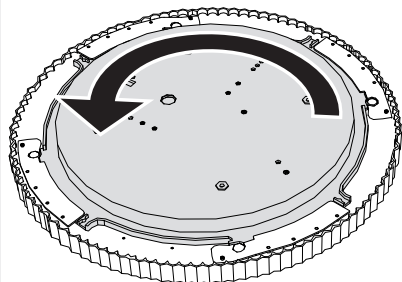
i



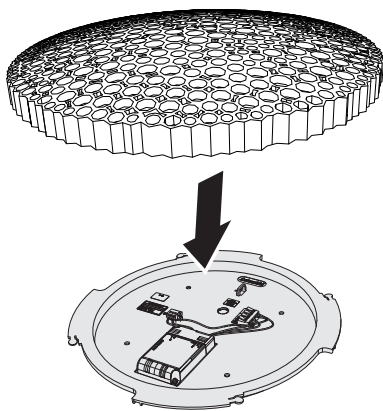
Artemide App
Starting Guide



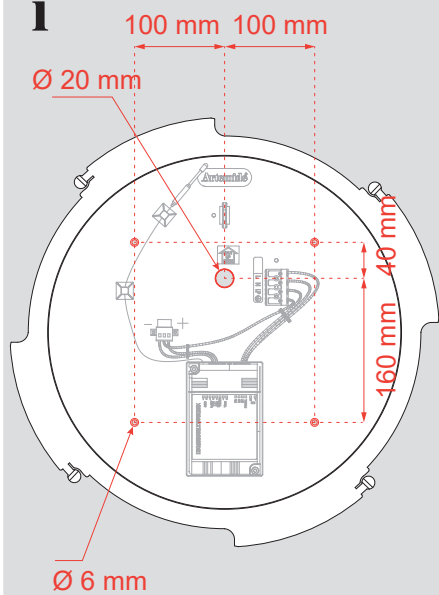
1



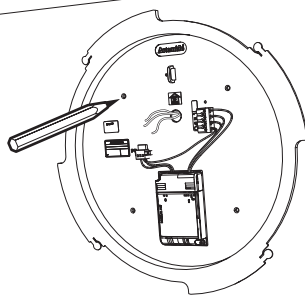
2



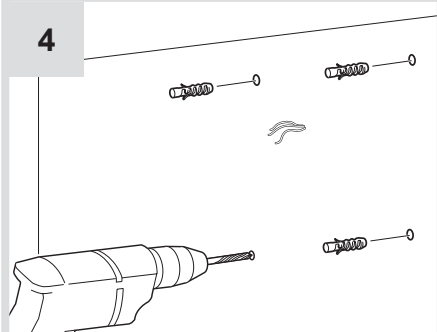
i

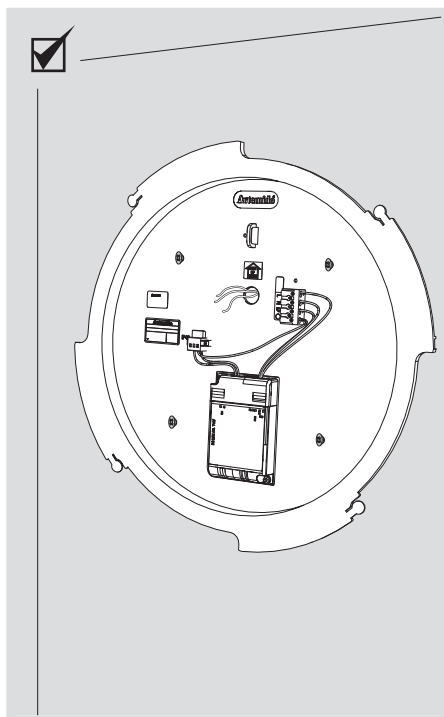
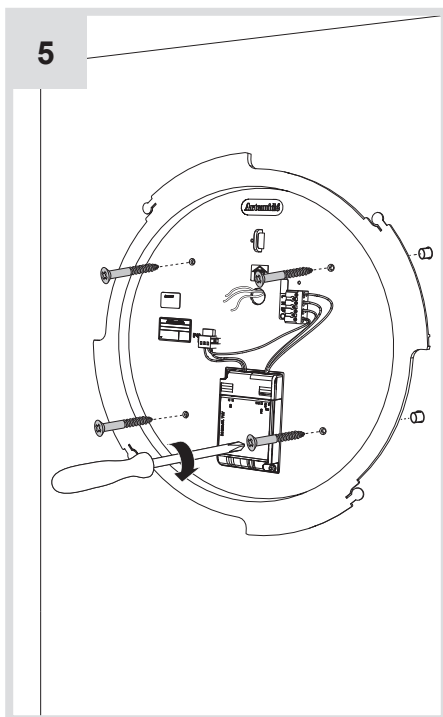
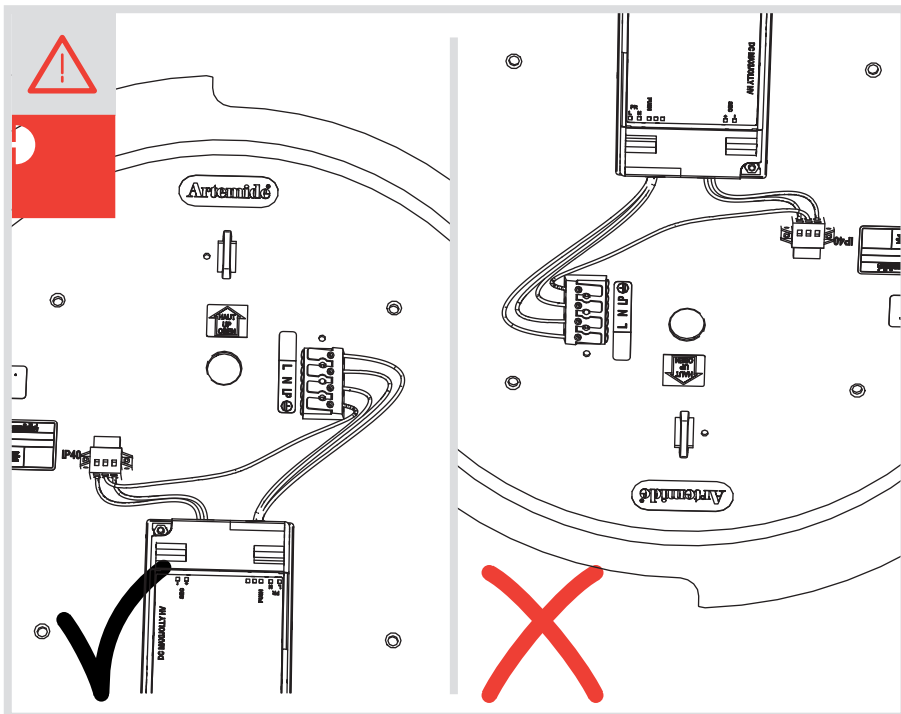


3

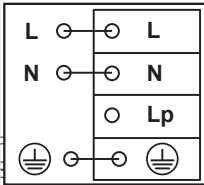
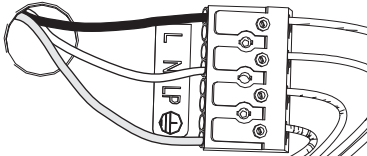
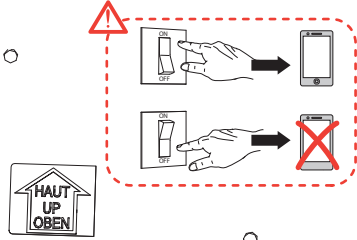


4

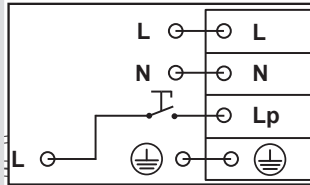
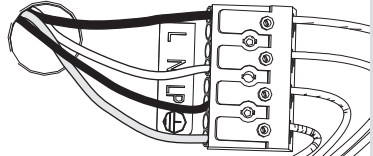




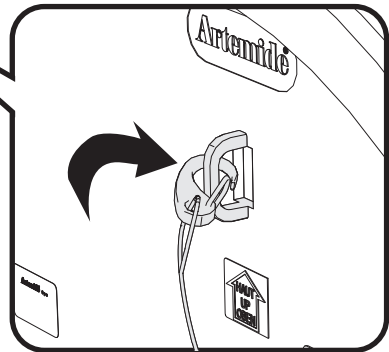
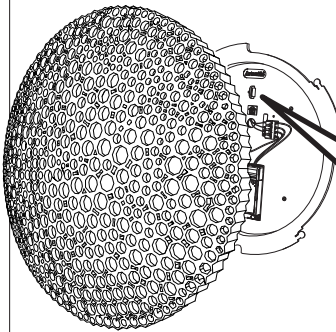
6a



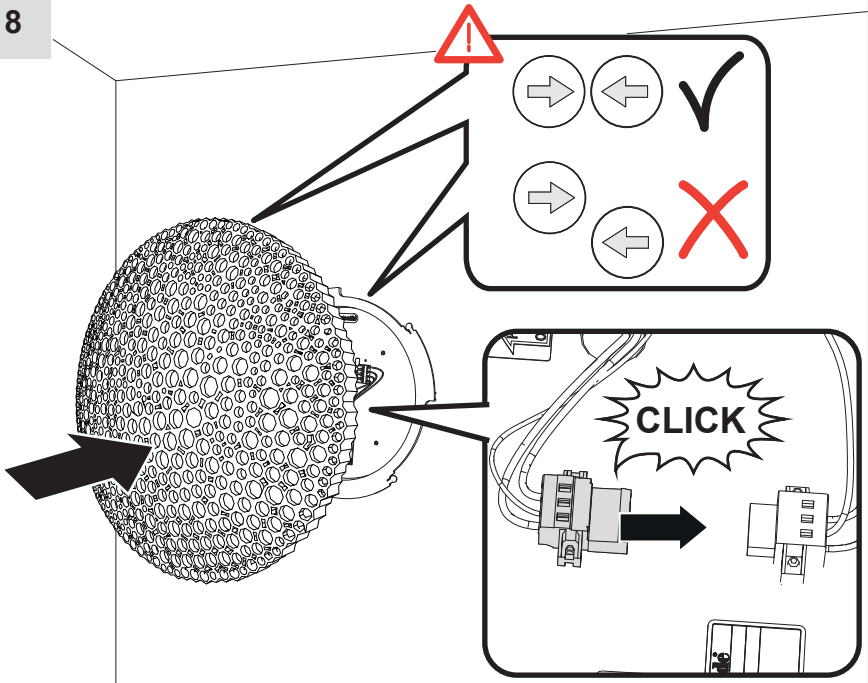
6b



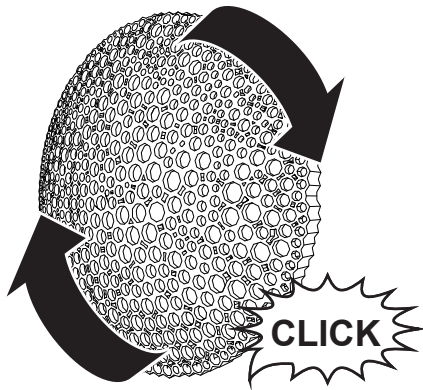
7

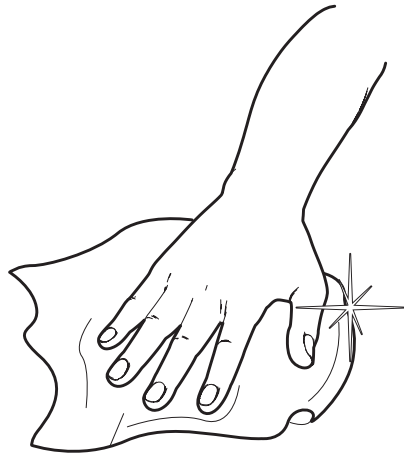
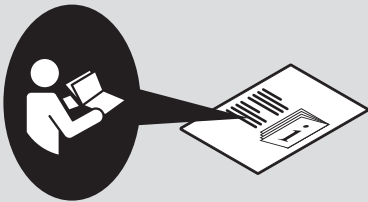
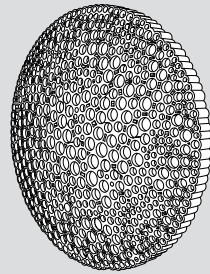
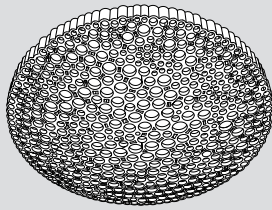


8



9





Artemide®



Artemide

via Bergamo, 18
20006 Pregnana M.se (MI)
ITALIA

tel. +39 02 935 181
fax +39 02 935 90 254
fax +39 02 935 90 496

www.artemide.com

VAT IT00846890150

cod. Y513000832C