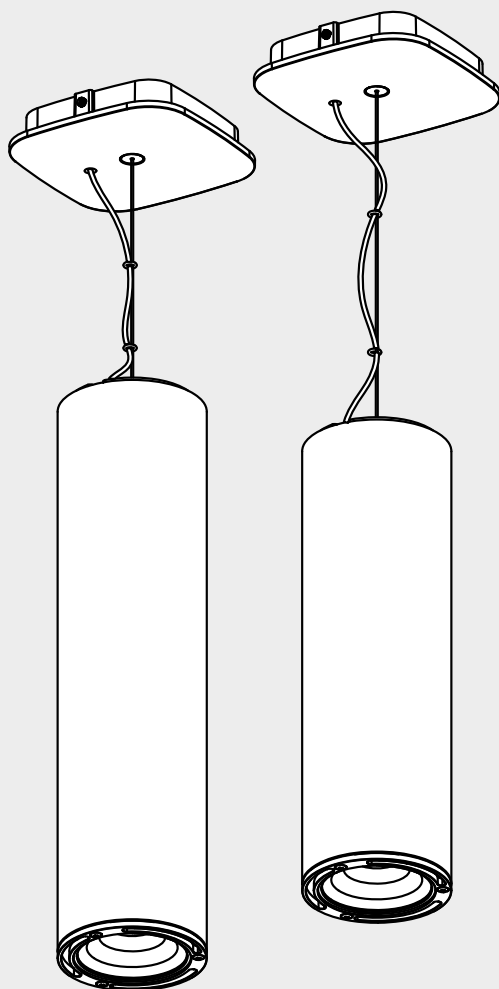


# Artemide®

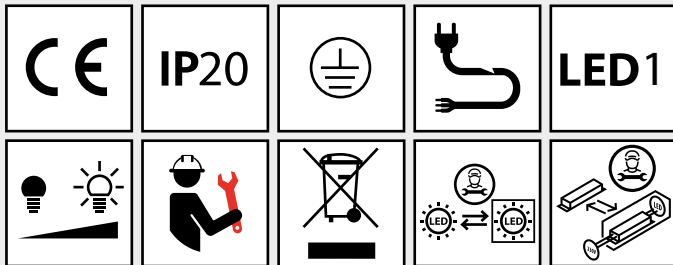
## ILIO SUSPENSION 36 - 45

design  
Ernesto Gismondi





i



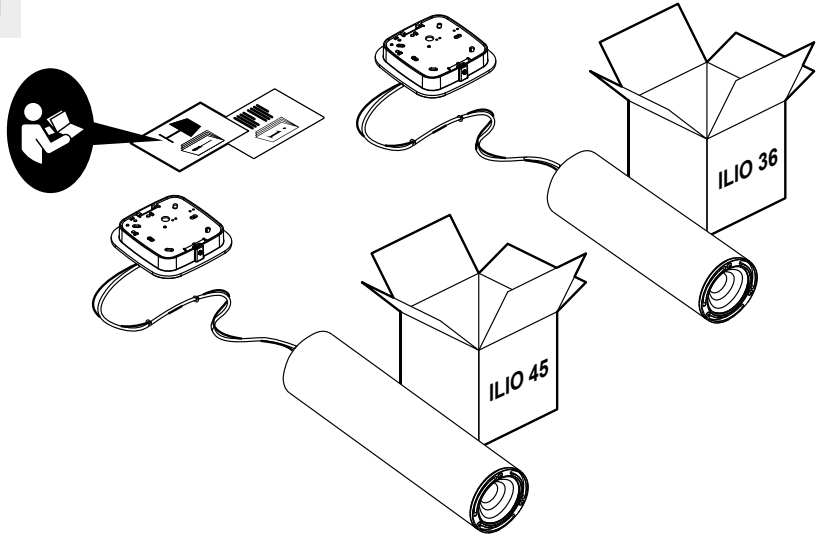
UK  
CA

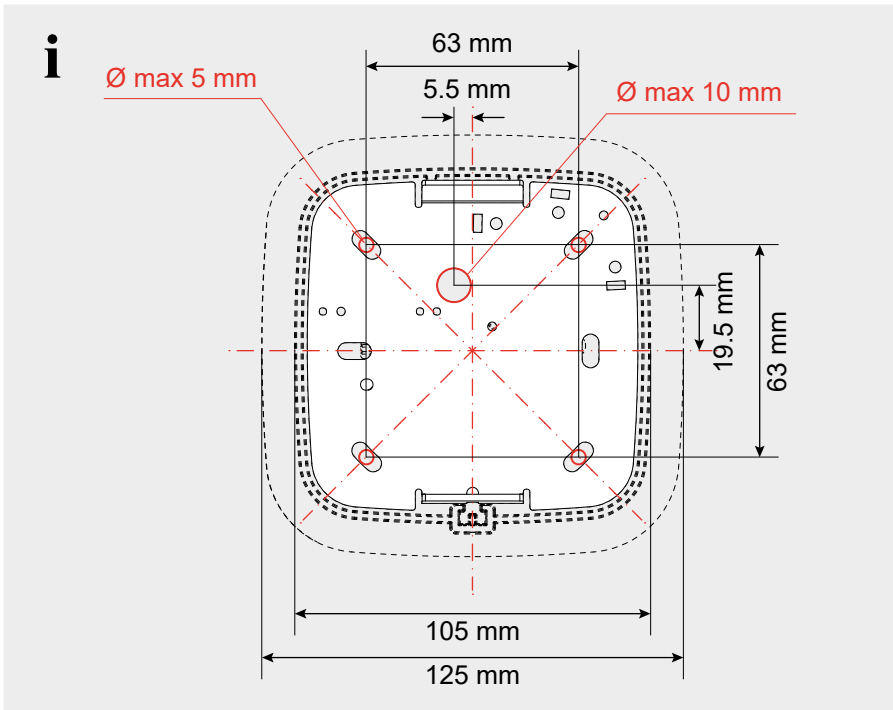
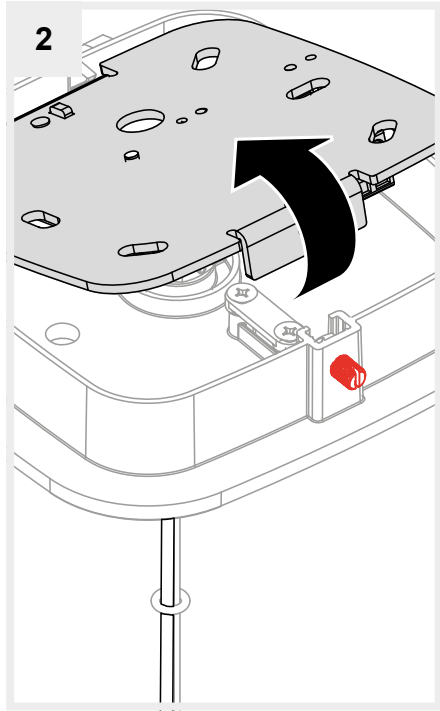
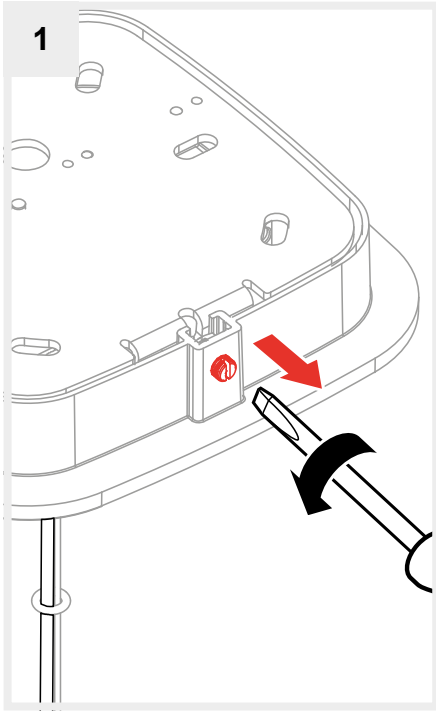


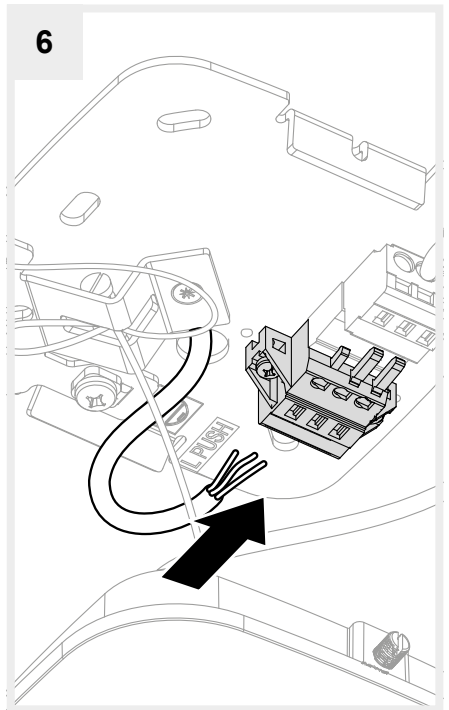
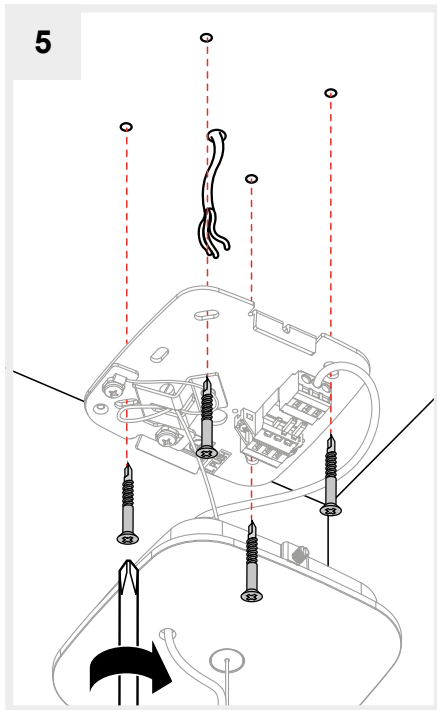
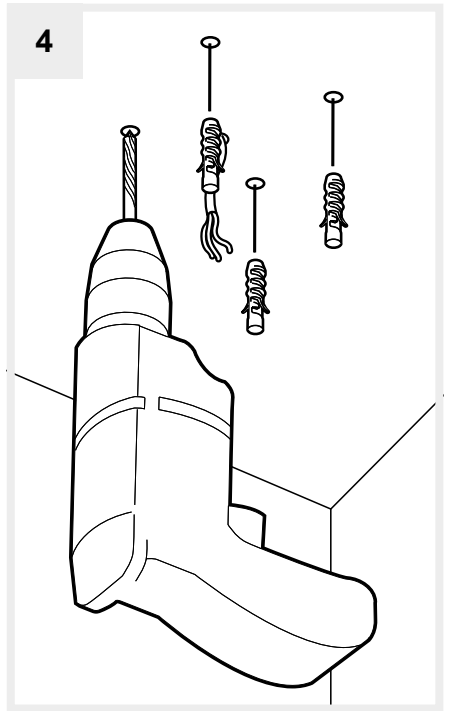
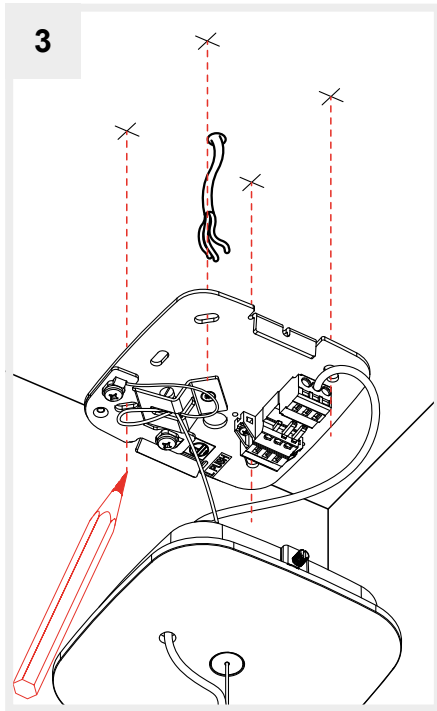
GET IT ON  
Google Play

Download on the  
App Store

Artemide App  
Quick Starting Guide

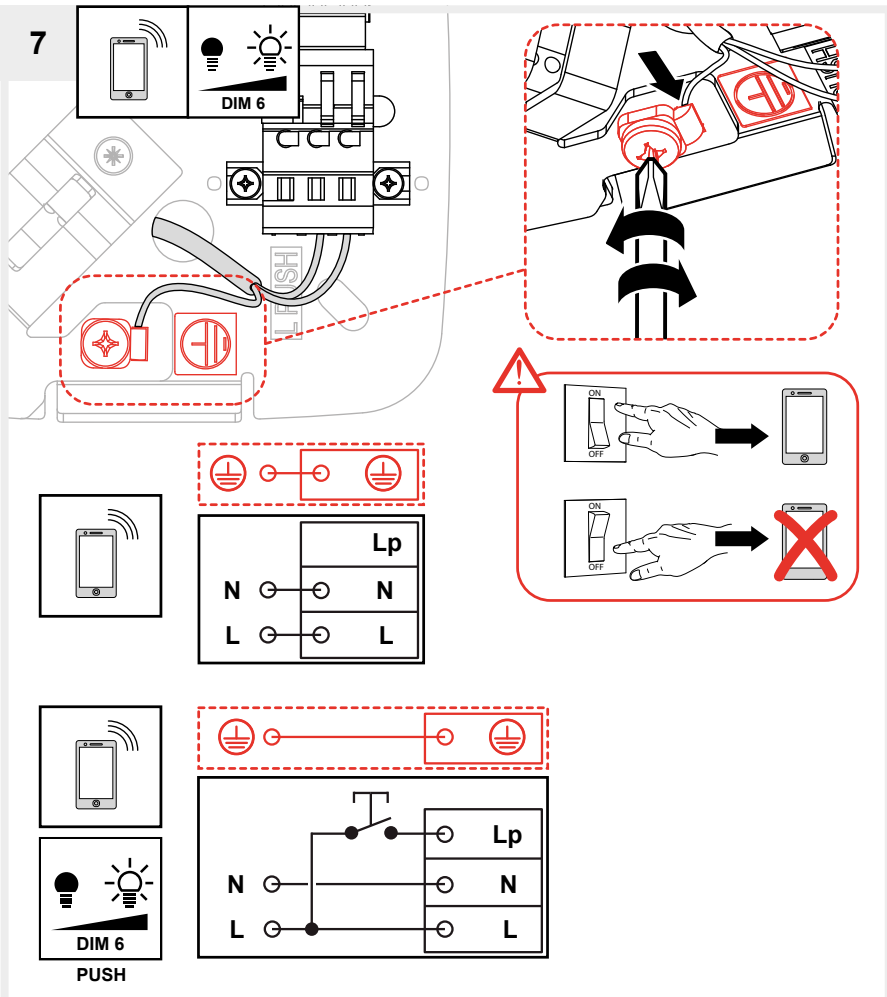


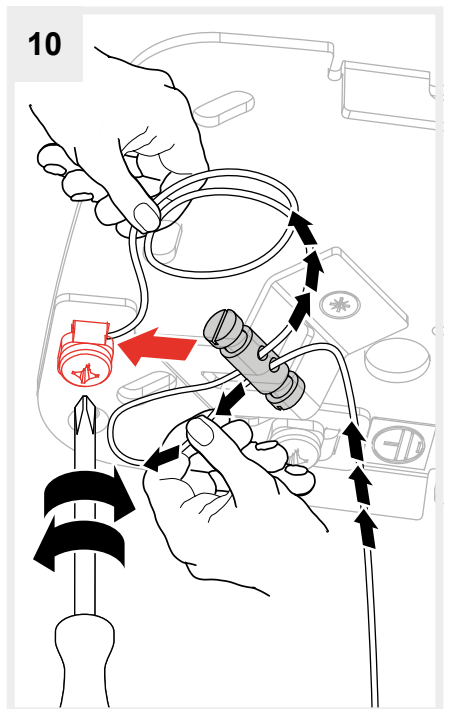
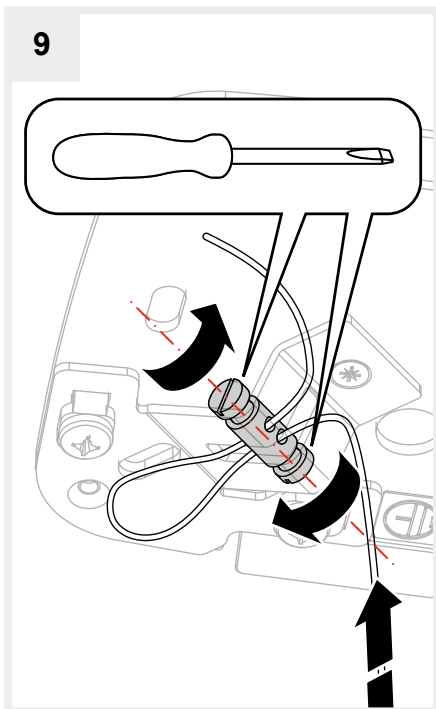
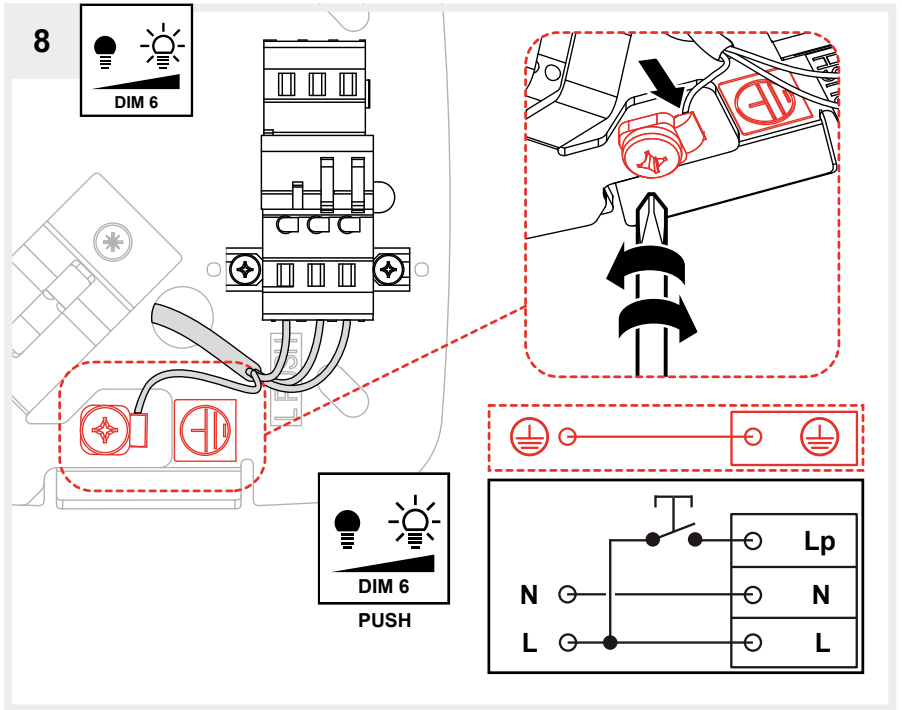


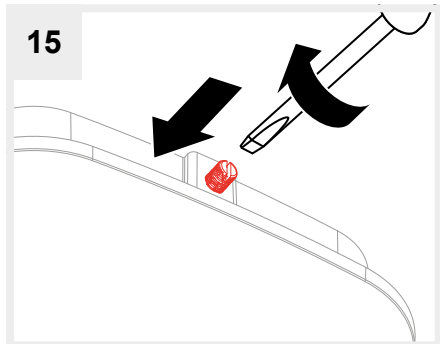
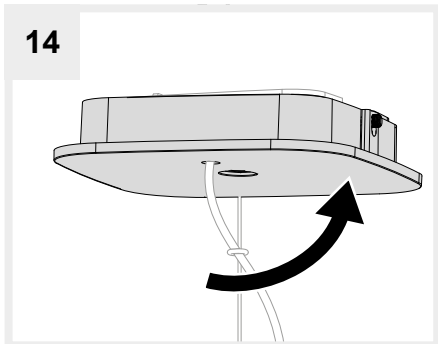
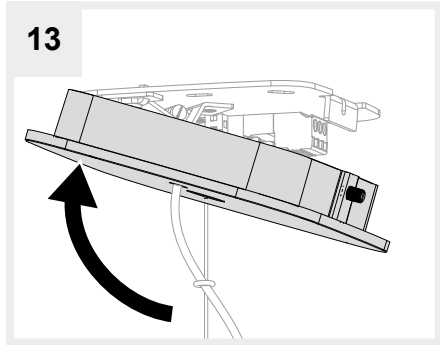
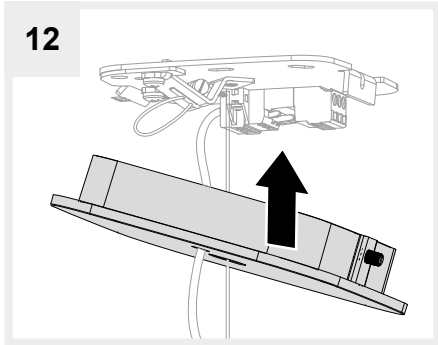
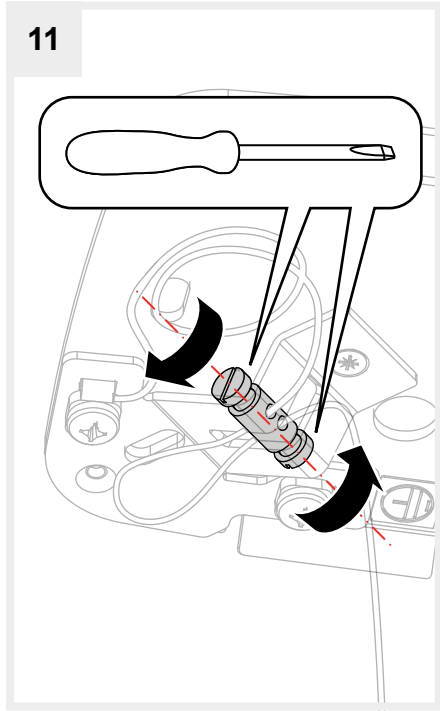
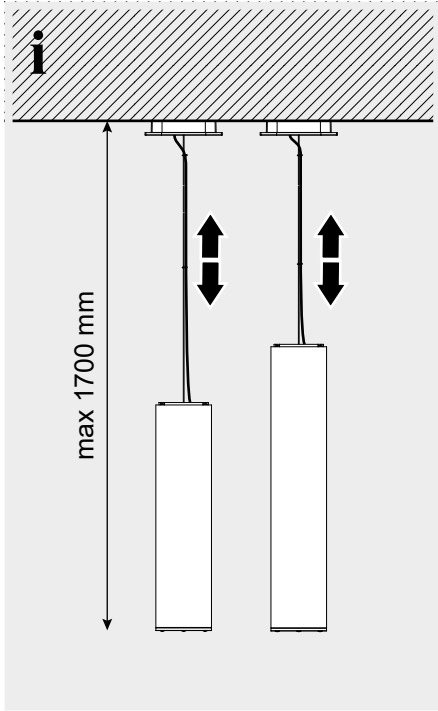


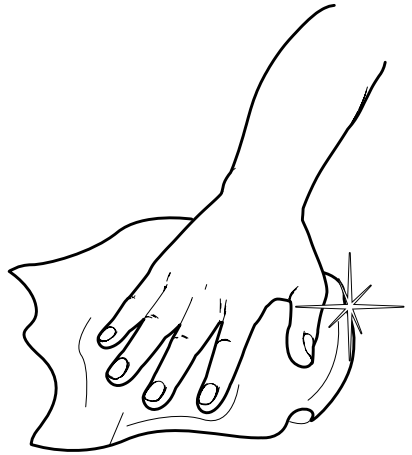
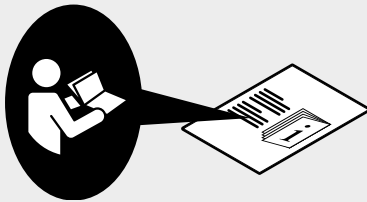
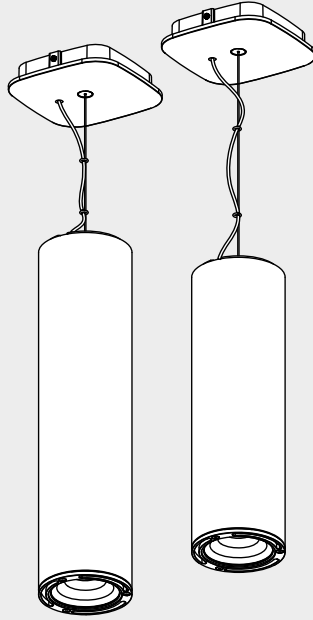
**i**

	CODE	POWER [W]	Inrush current [A]	Inrush current time [ $\mu$ sec]	Nr. of power units under same MCB			
					B16A	C16A	B10A	C20A
<b>fig.7</b>	1758XXXAPP 1759XXXAPP	12,5	10	200	21	42	15	61
<b>fig.8</b>	1758XXXA 1759XXXA	12,5	30	100	21	42	15	61









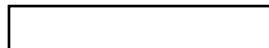








**Artemide®**



**Artemide**

via Bergamo, 18  
20006 Pregnana M.se (MI)  
ITALIA

tel. +39 02 935 181  
fax +39 02 935 90 254  
fax +39 02 935 90 496

[www.artemide.com](http://www.artemide.com)

VAT IT00846890150

cod. Y513001944