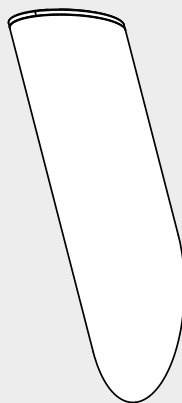


# Artemide®

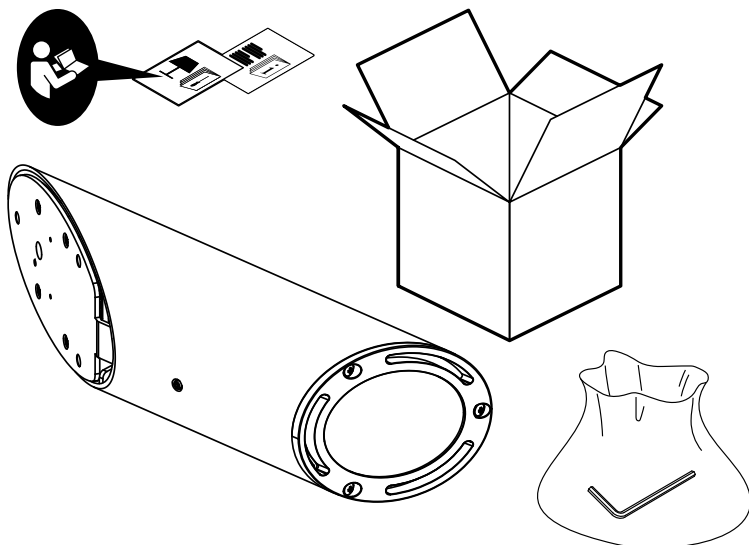
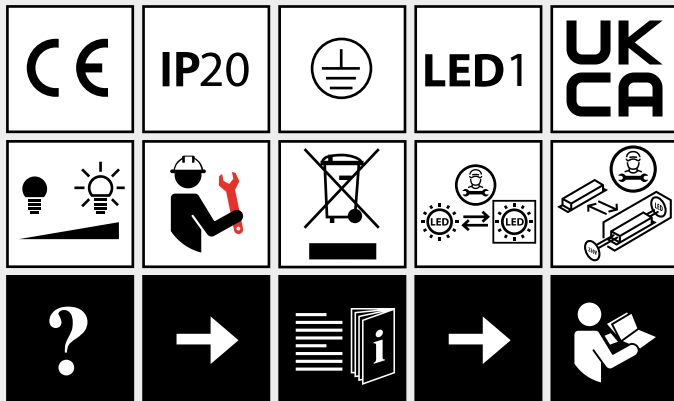
## ILIO WALL

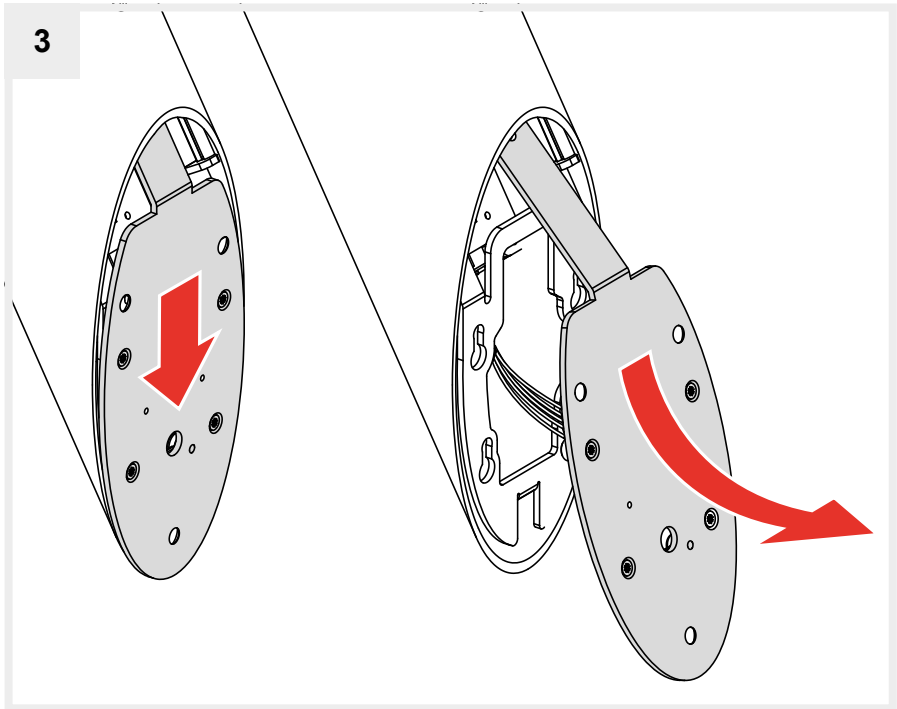
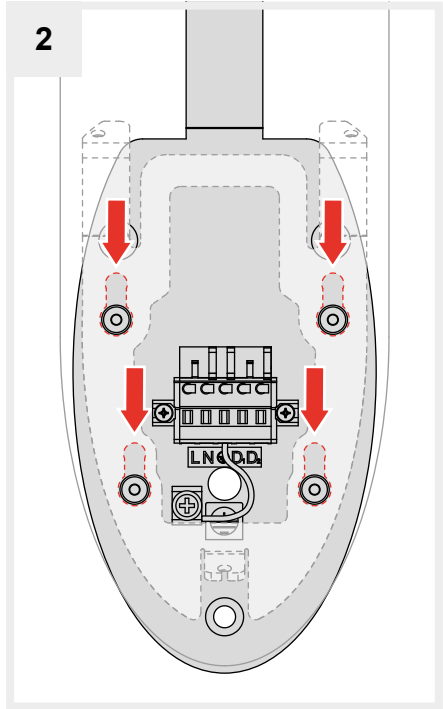
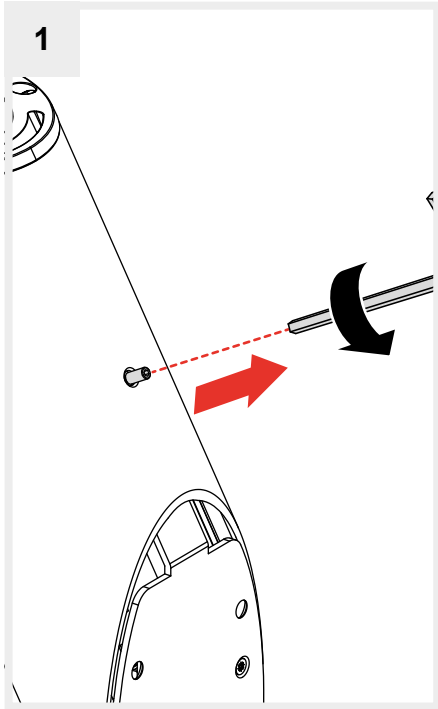
design  
Ernesto Gismondi



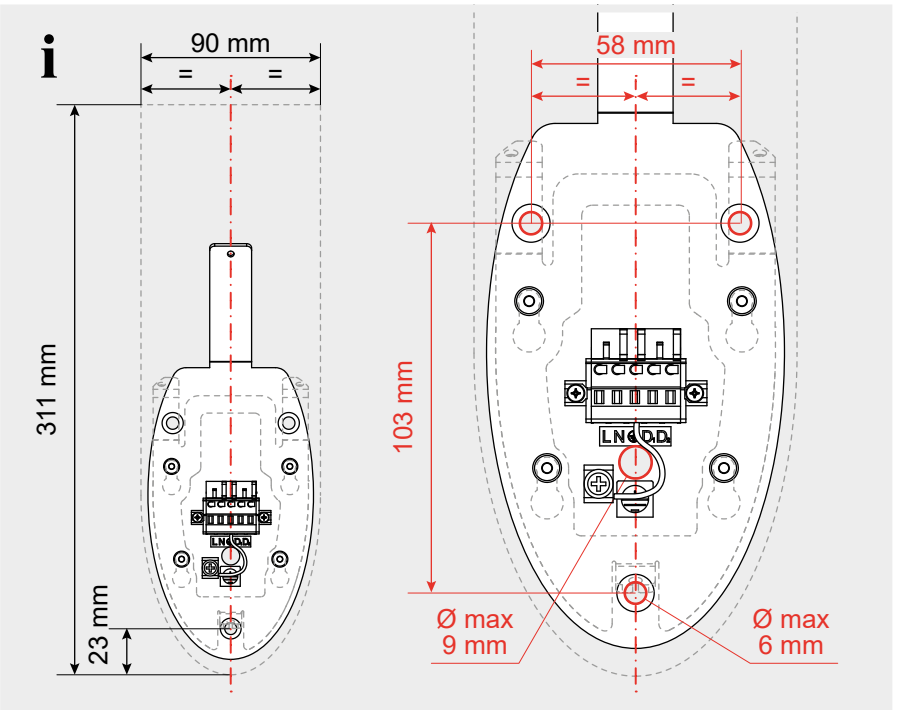
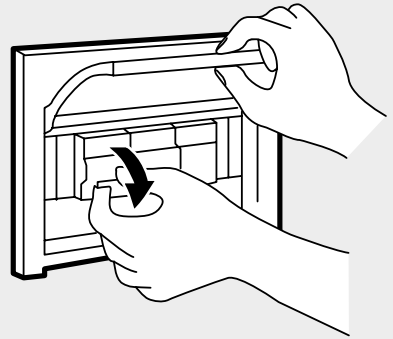
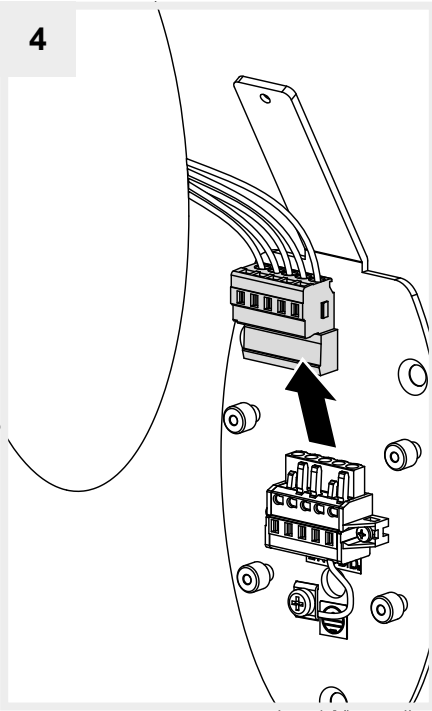


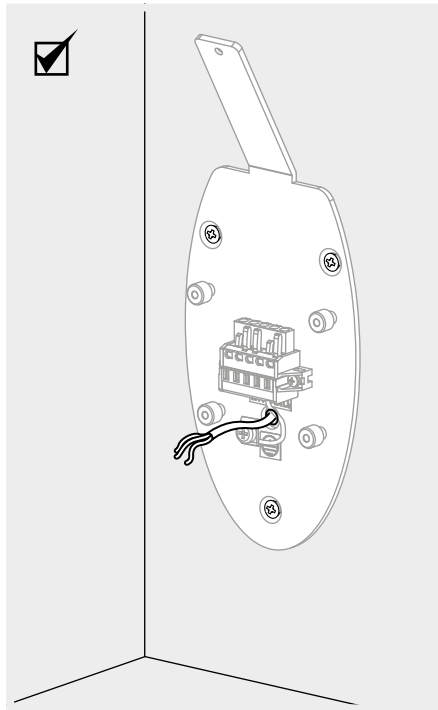
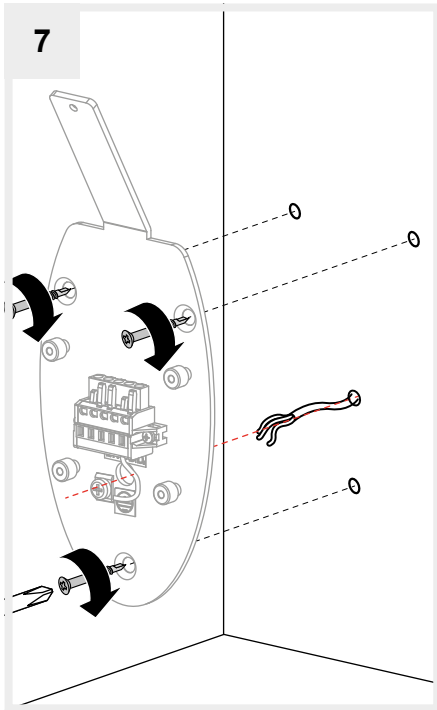
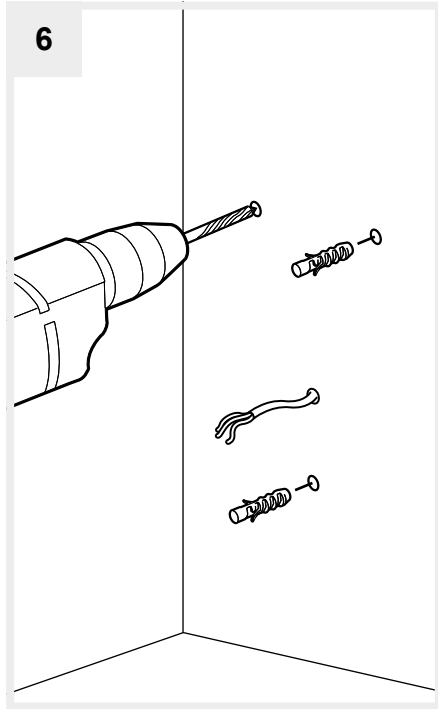
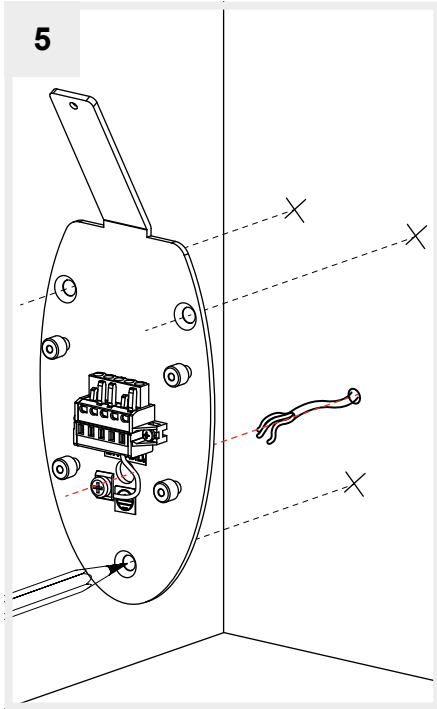
i





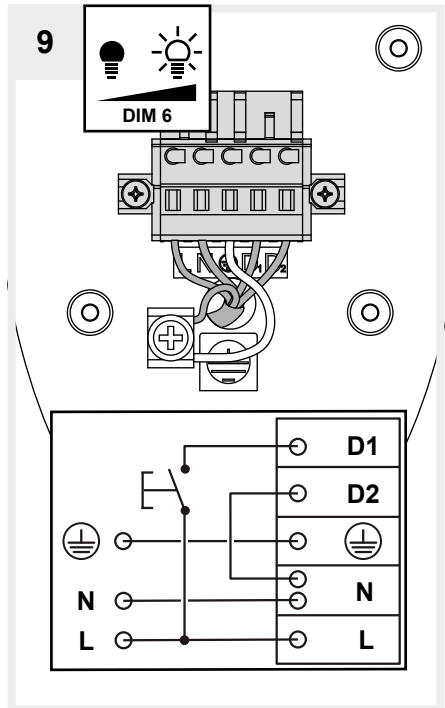
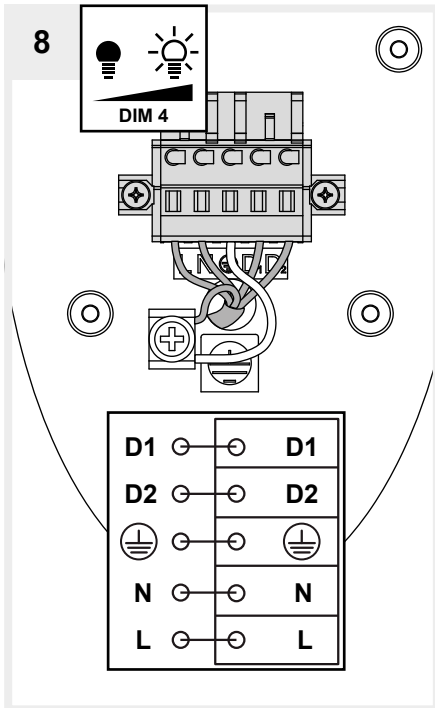
4



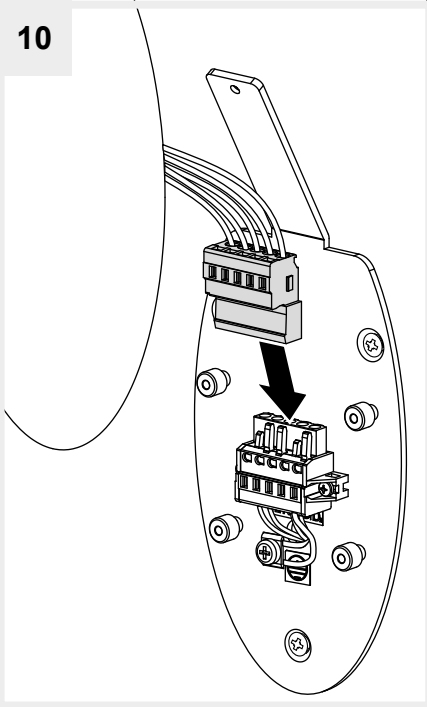


# i

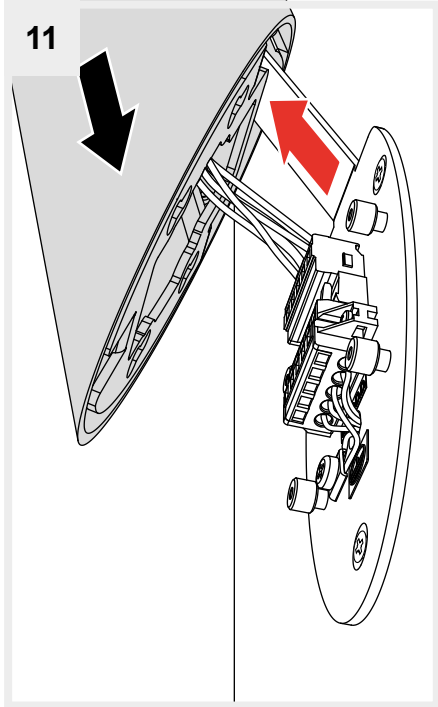
CODE	POWER [W]	Inrush current [A]	Inrush current time [ $\mu$ sec]	Nr. of power units under same MCB			
				B16A	C16A	B10A	C20A
1755XXXA	17	30	100	20	40	14	58



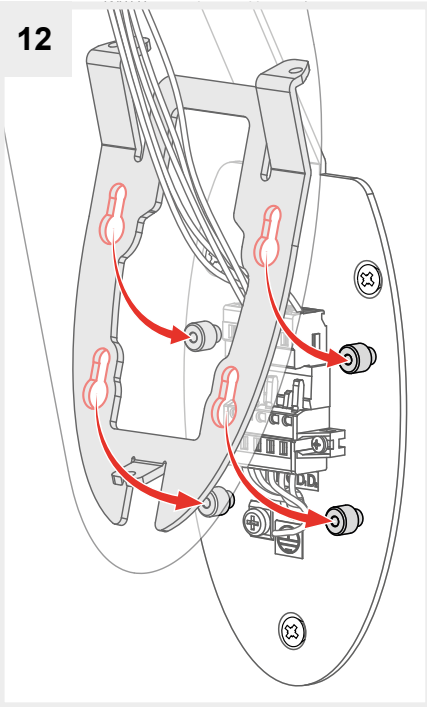
10



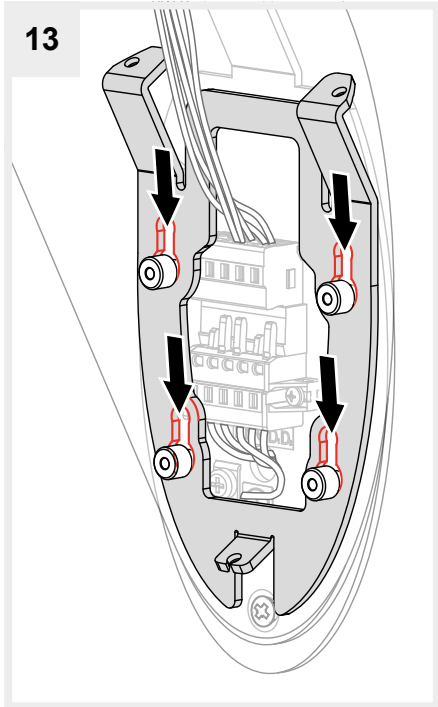
11



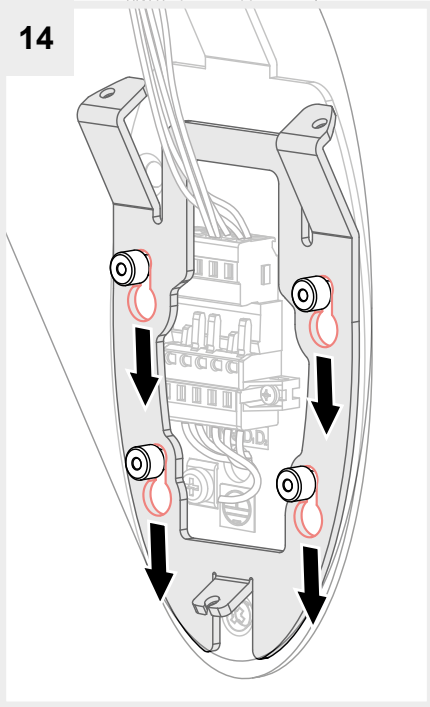
12



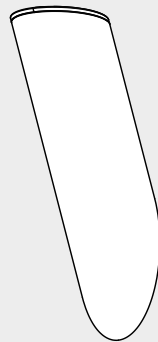
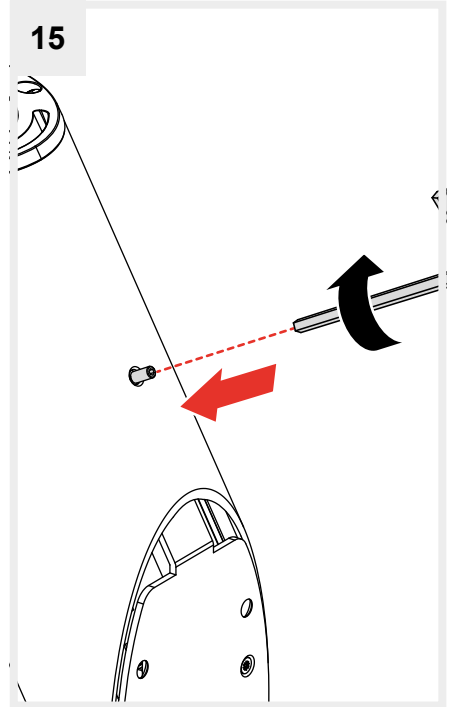
13



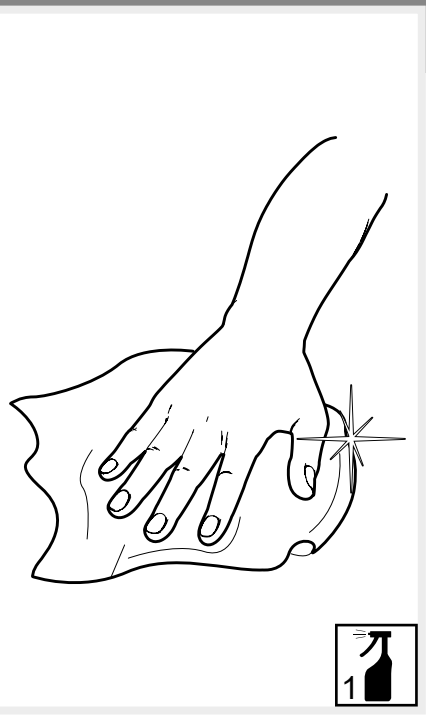
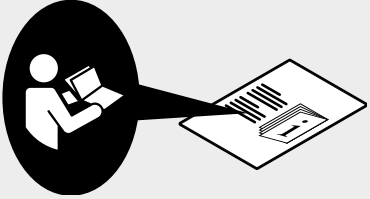
14



15



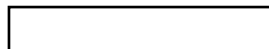








**Artemide®**



**Artemide**

via Bergamo, 18  
20006 Pregnana M.se (MI)  
ITALIA

tel. +39 02 935 181  
fax +39 02 935 90 254  
fax +39 02 935 90 496

[www.artemide.com](http://www.artemide.com)

VAT IT00846890150

cod. Y513001948