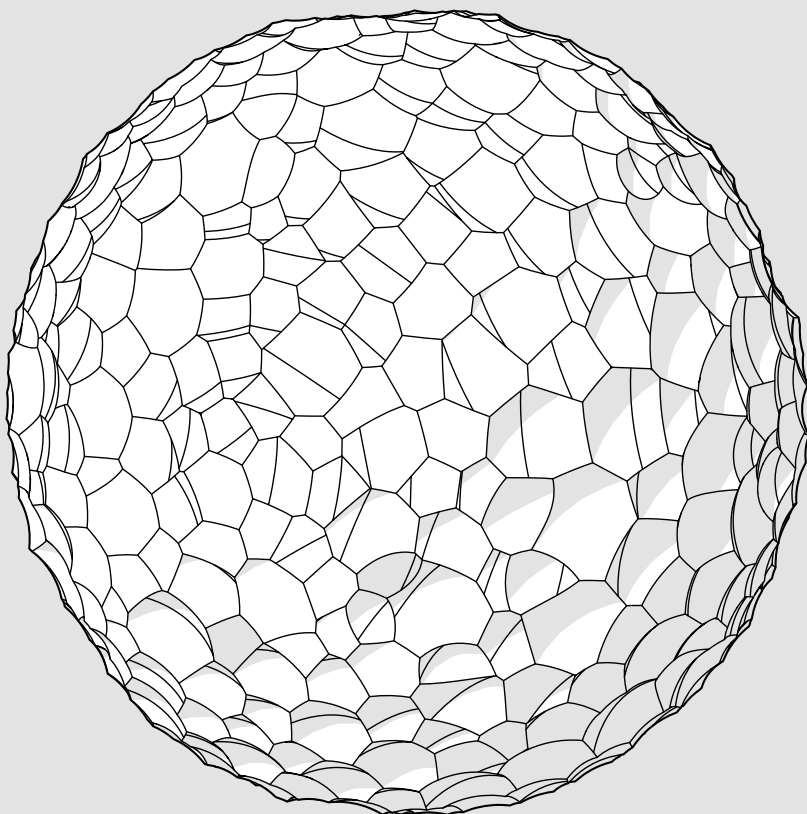


# Artemide®

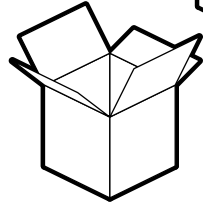
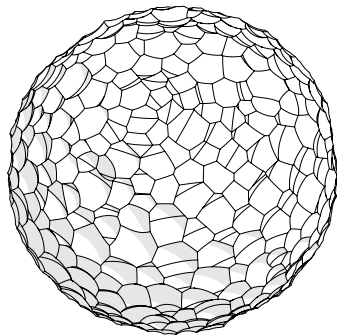
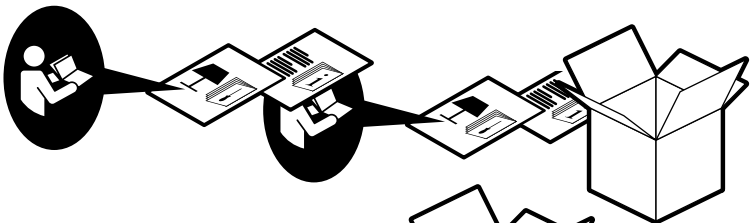
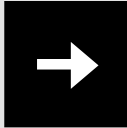
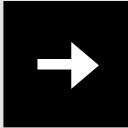
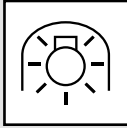
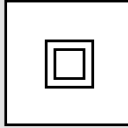
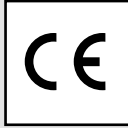
## Meteorite

design  
Pio & Tito Toso

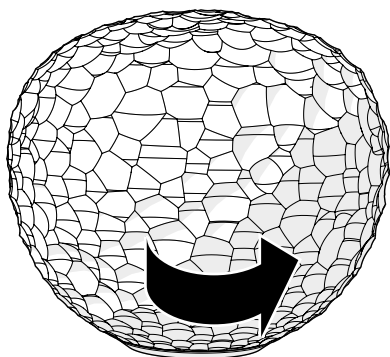




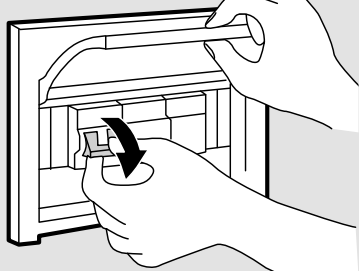
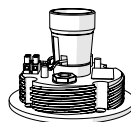
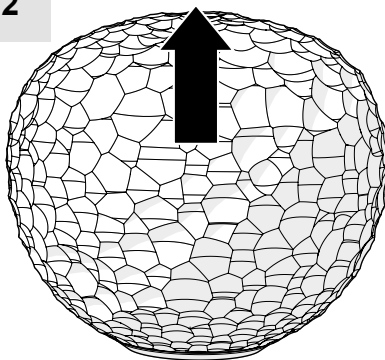
i



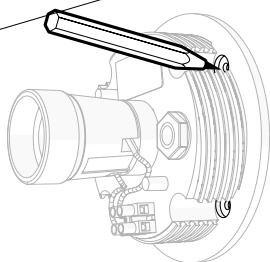
1



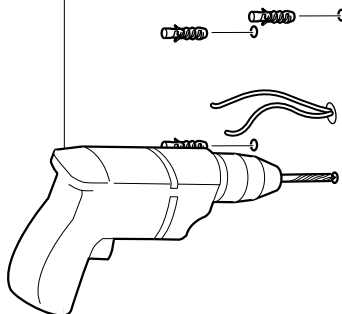
2



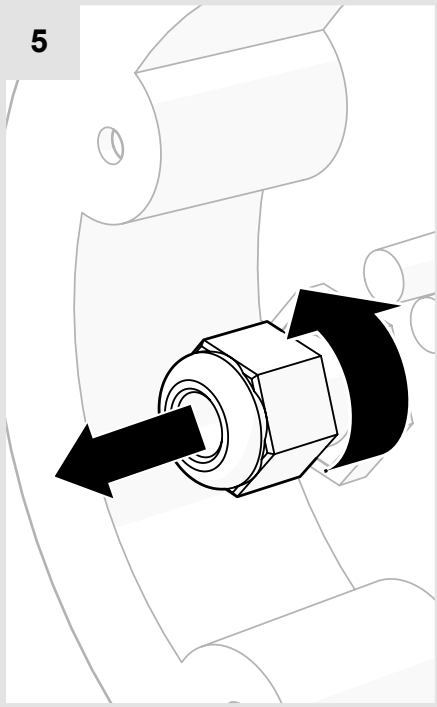
3



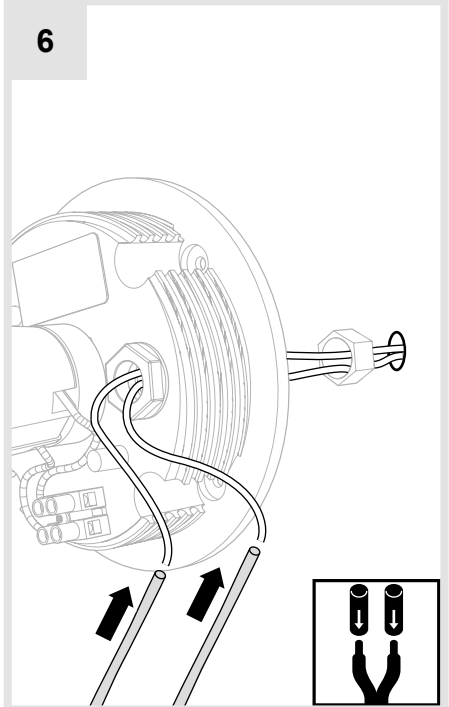
4



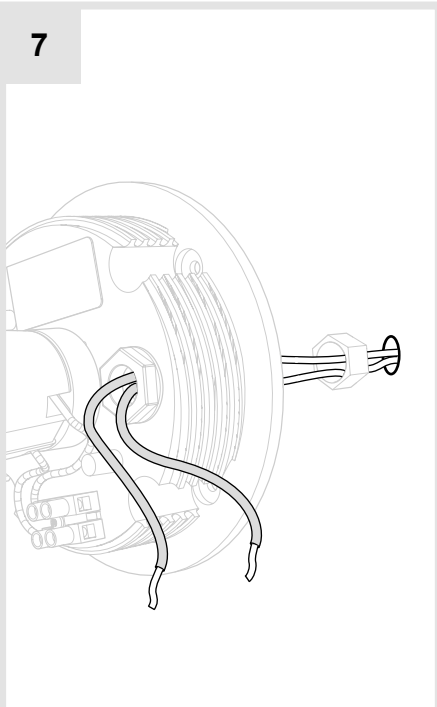
5



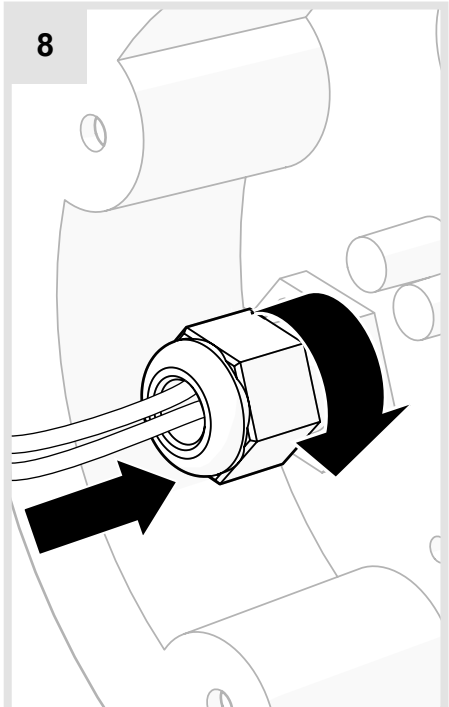
6



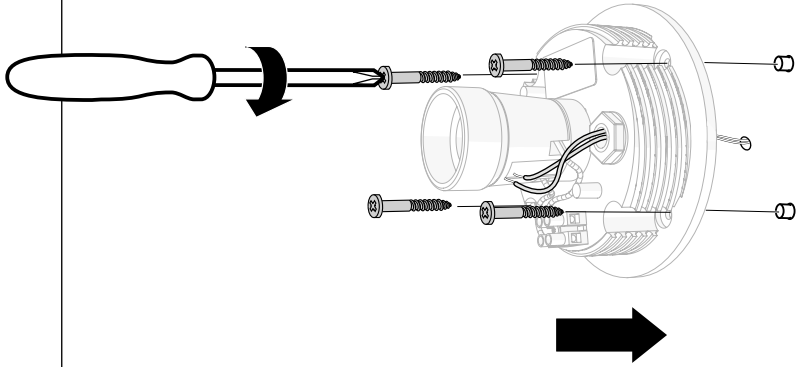
7



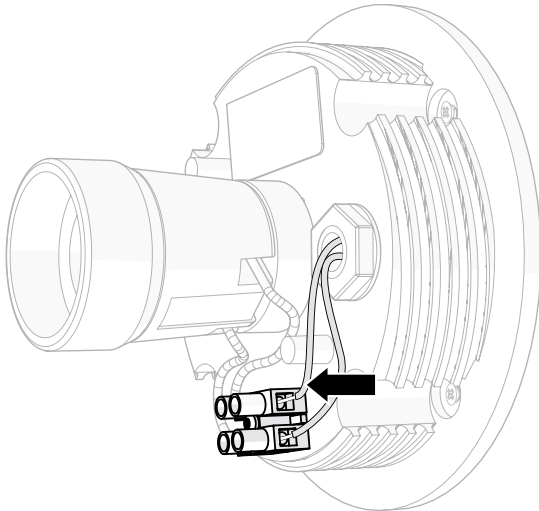
8



9

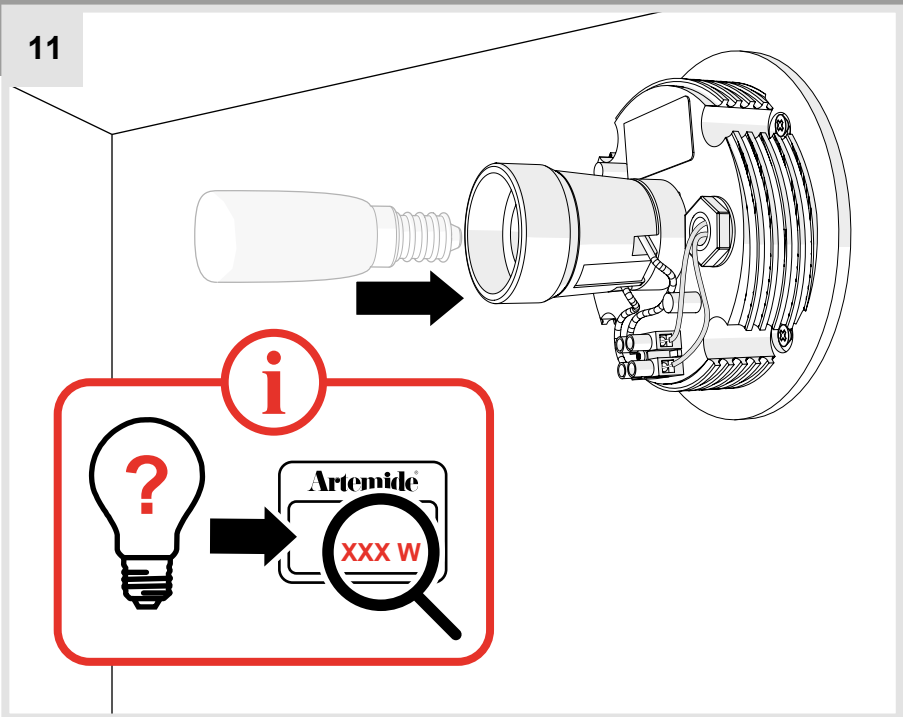


10

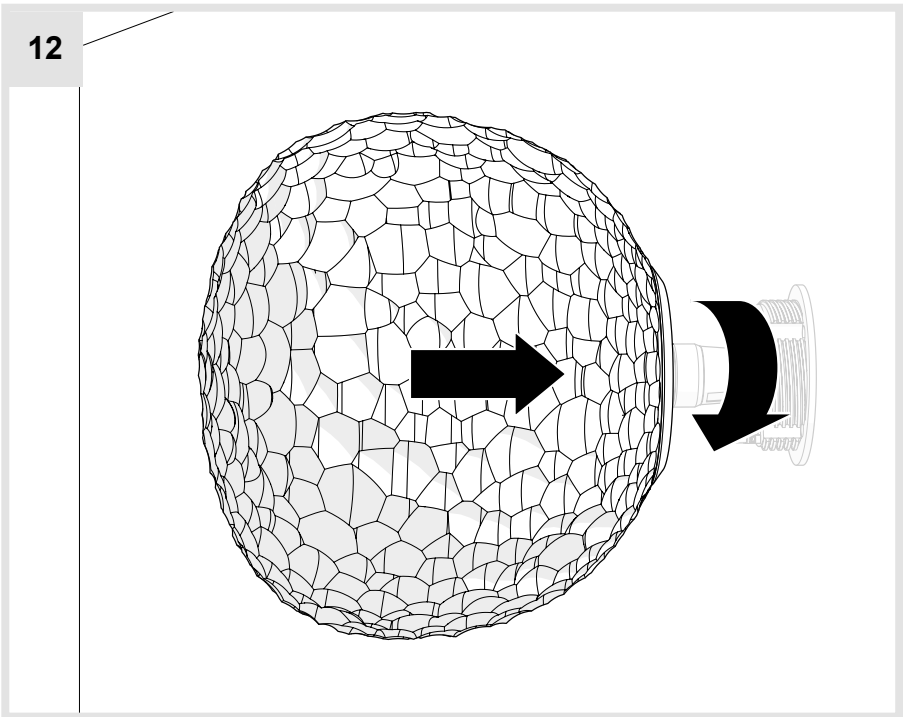


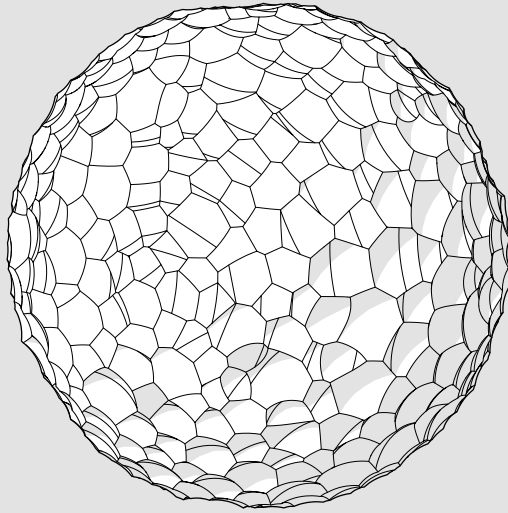


11

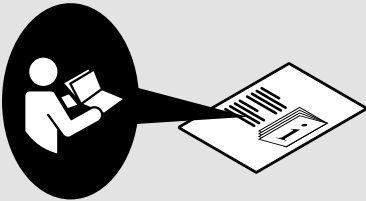


12

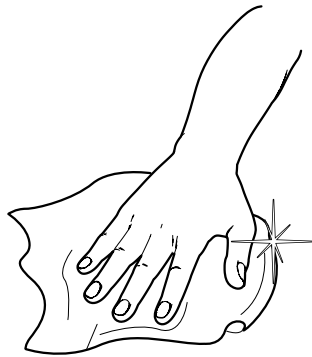




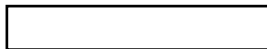
**i**



**1**



**Artemide®**



**Artemide**

via Bergamo, 18  
20006 Pregnana M.se (MI)  
ITALIA

tel. +39 02 935 181  
fax +39 02 935 90 254  
fax +39 02 935 90 496

[www.artemide.com](http://www.artemide.com)

VAT IT00846890150

cod. Y513000208C