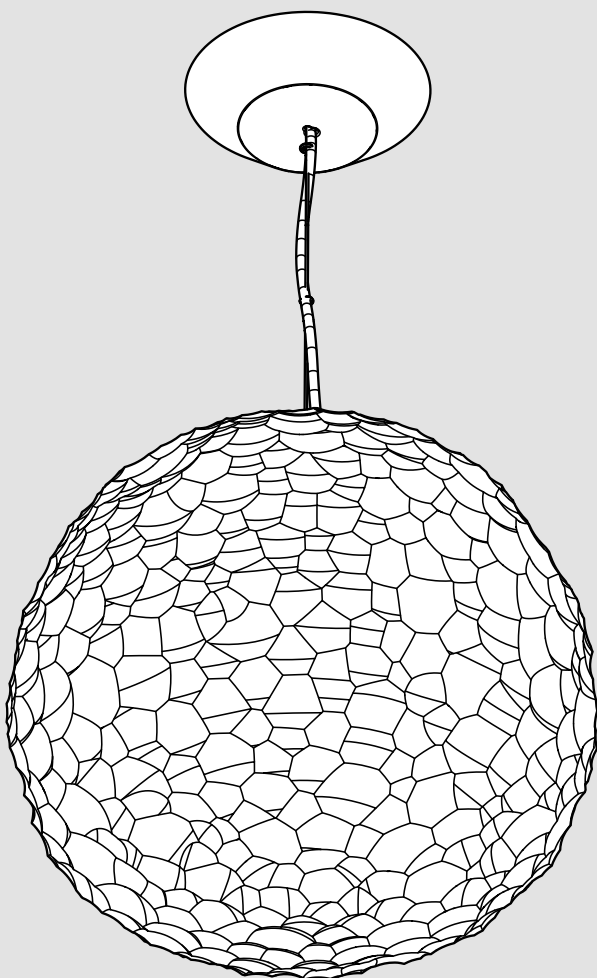


# Artemide®

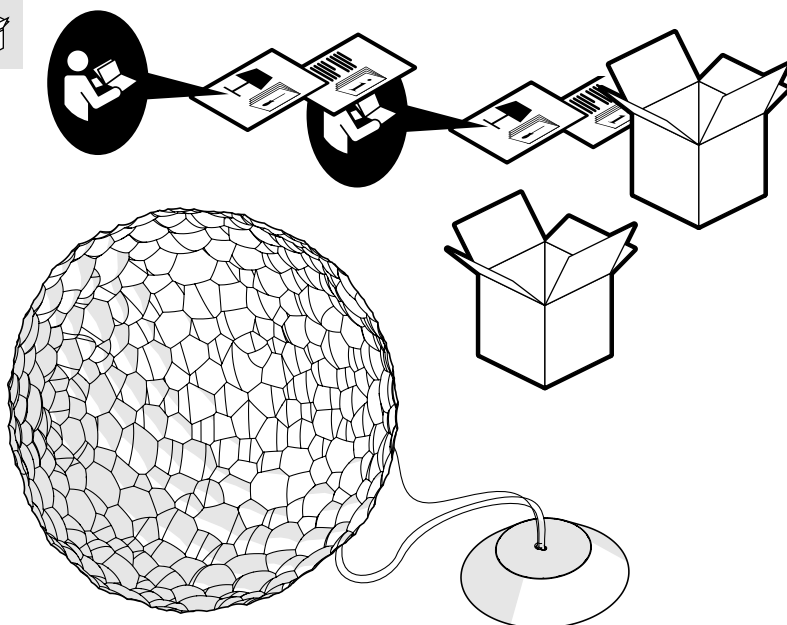
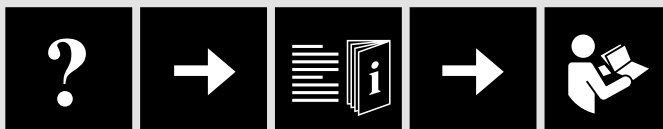
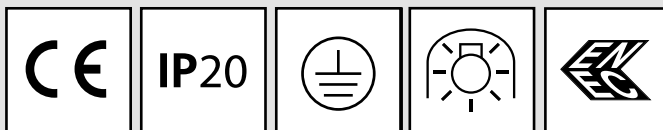
## Meteorite

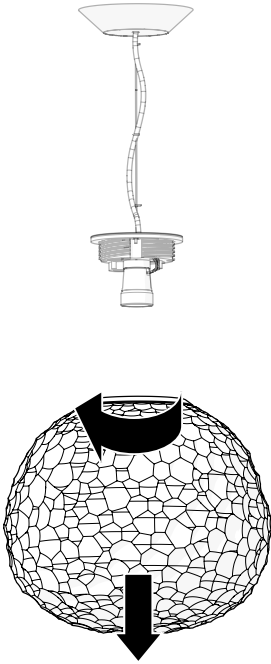
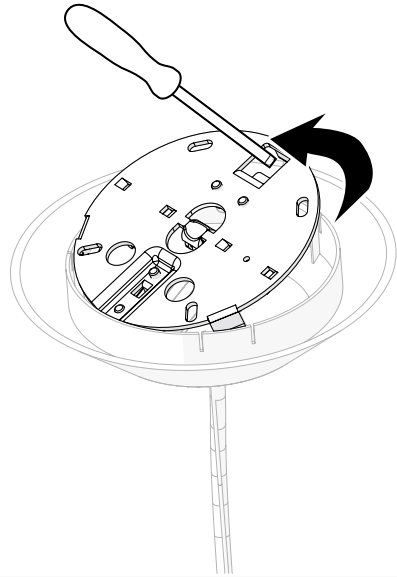
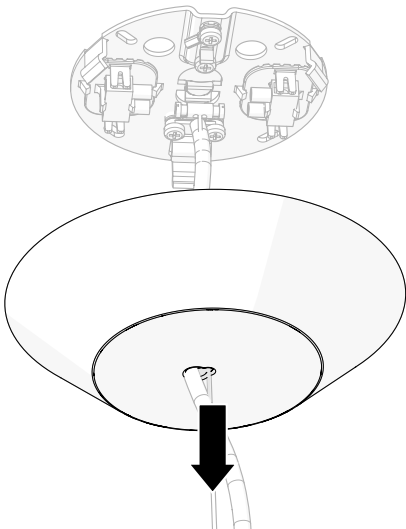
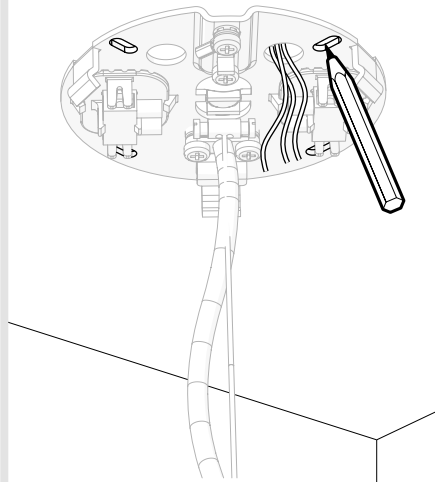
design  
Pio & Tito Toso



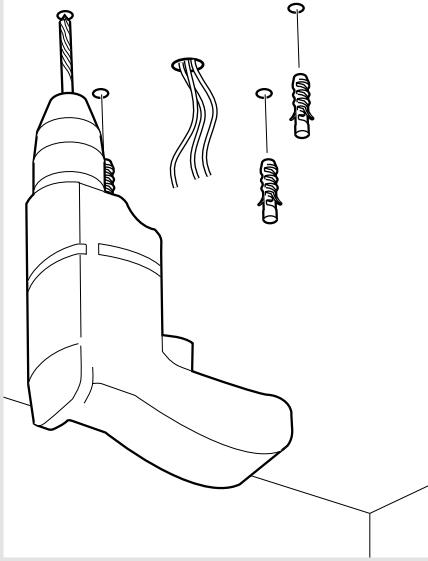


i

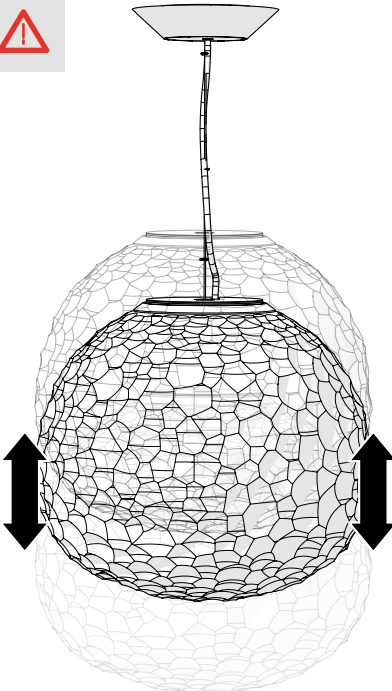
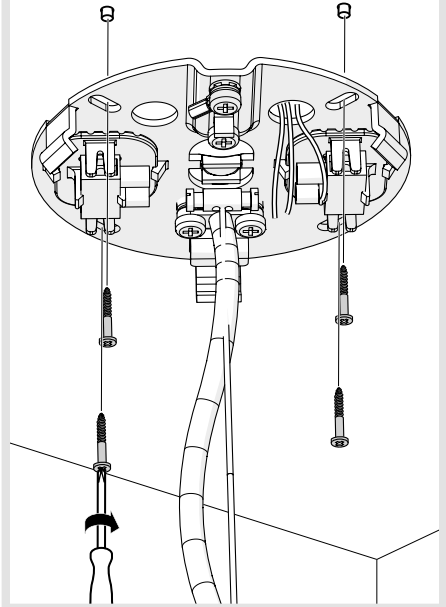


**1****2****3****4**

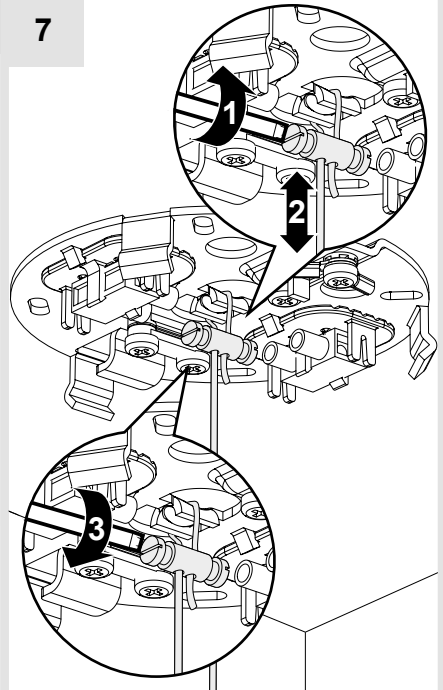
5



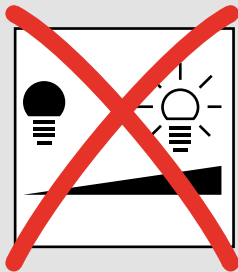
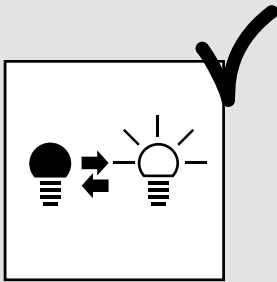
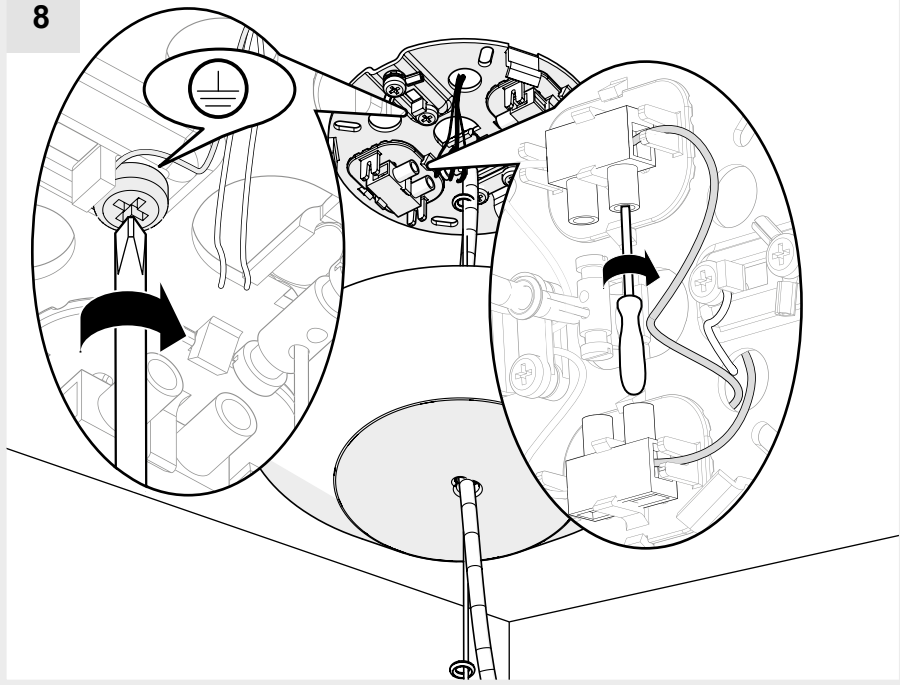
6



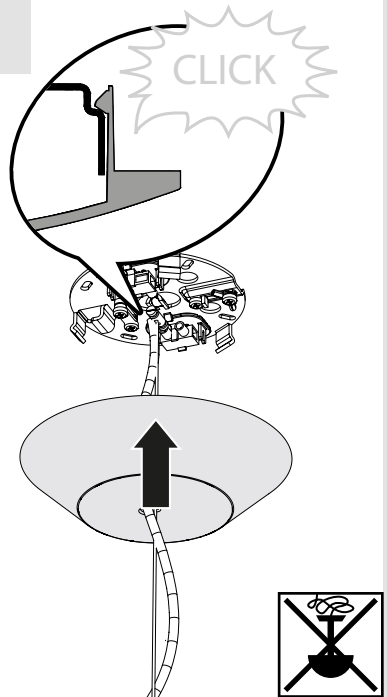
7



8

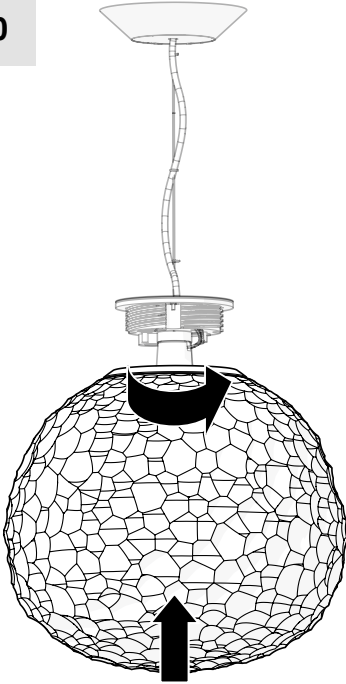


9

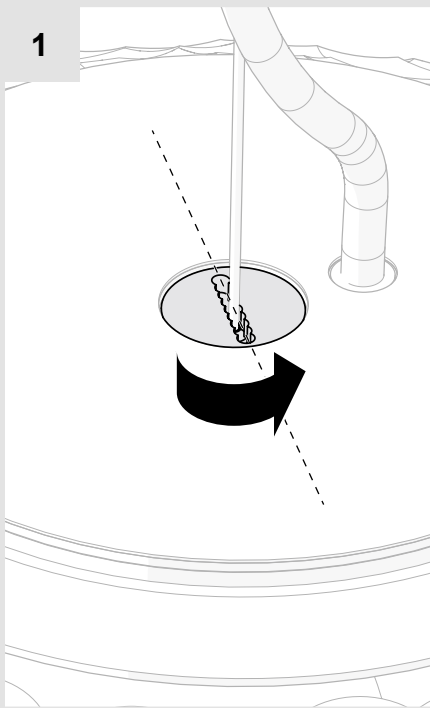




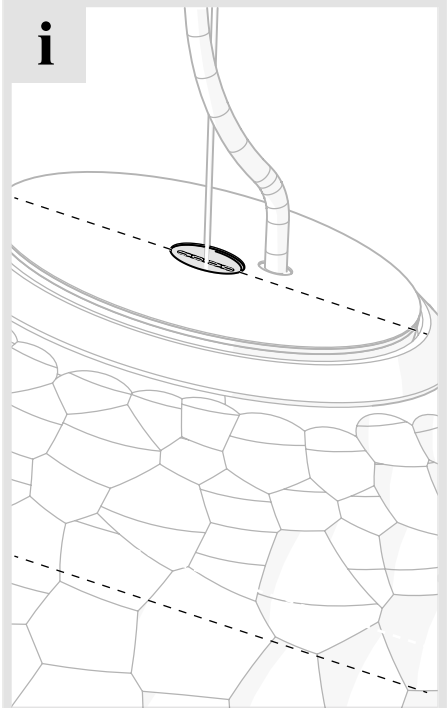
10



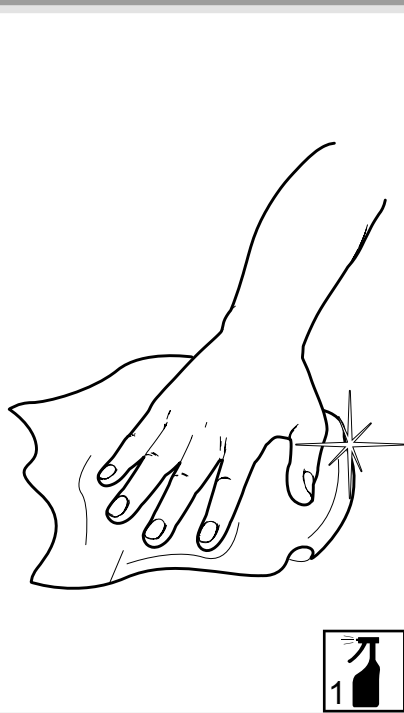
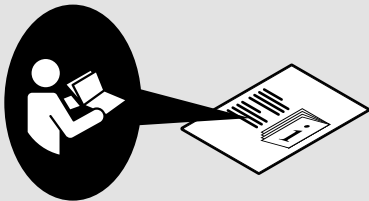
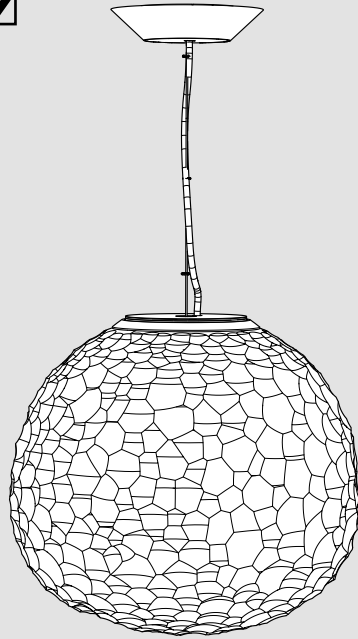
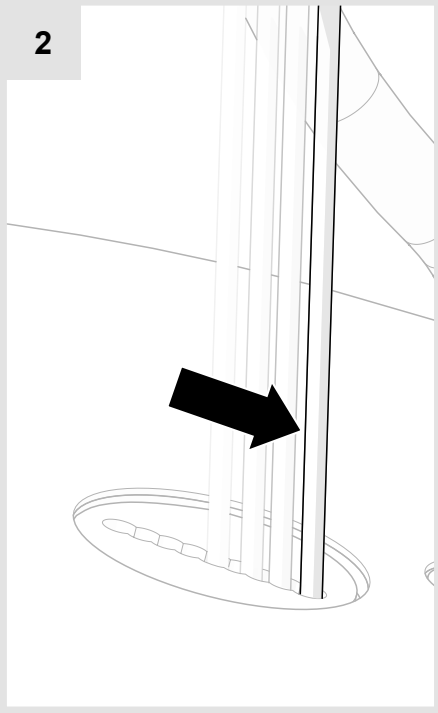
1



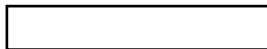
i



2



**Artemide®**



**Artemide**

via Bergamo, 18  
20006 Pregnana M.se (MI)  
ITALIA

tel. +39 02 935 181  
fax +39 02 935 90 254  
fax +39 02 935 90 496

[www.artemide.com](http://www.artemide.com)

VAT IT00846890150

cod. Y513000209A