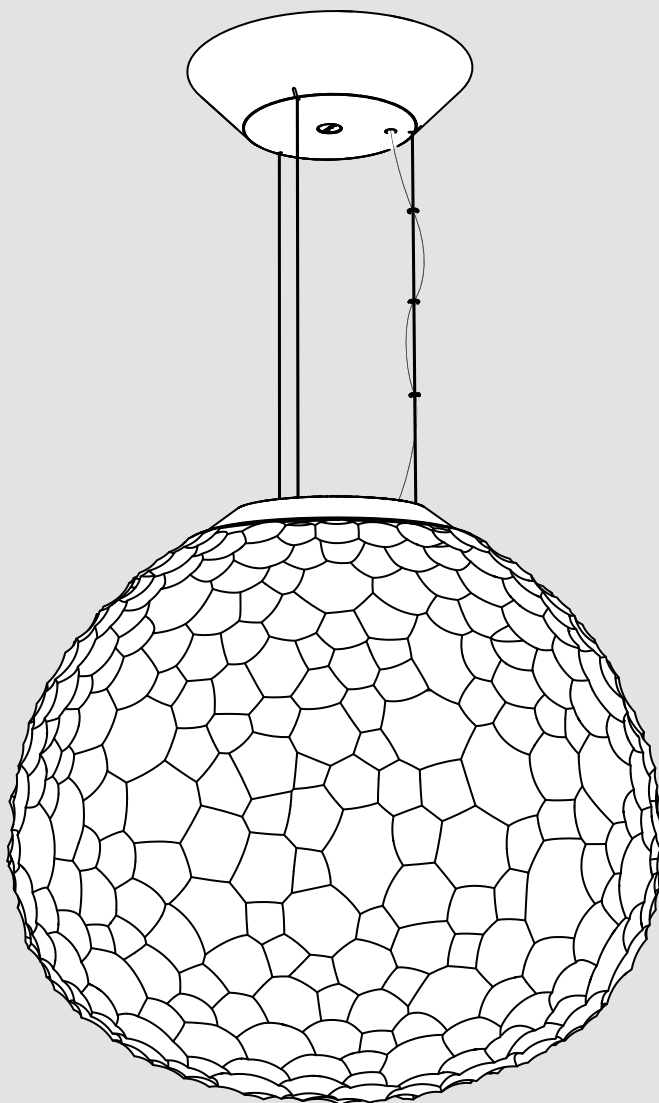


# Artemide®

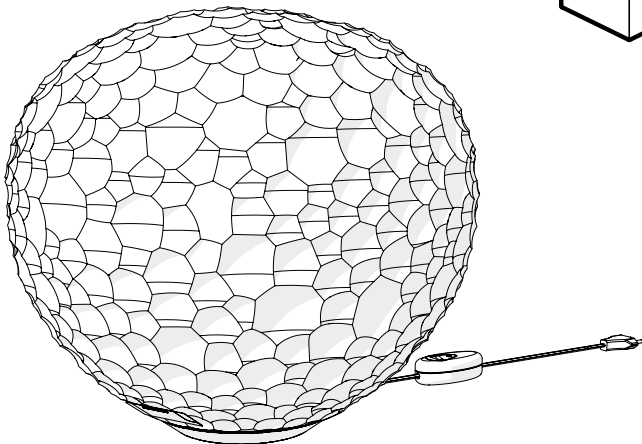
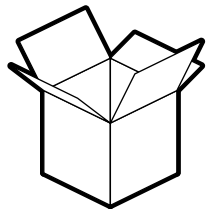
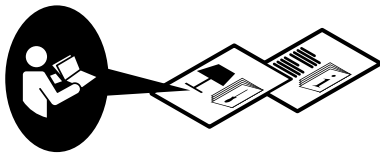
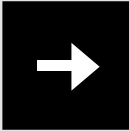
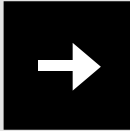
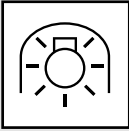
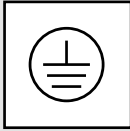
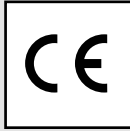
## Meteorite 48

design  
Pio & Tito Toso

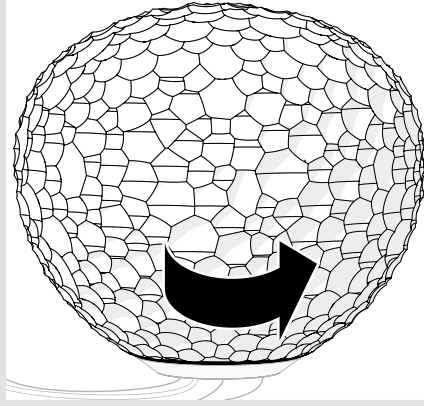




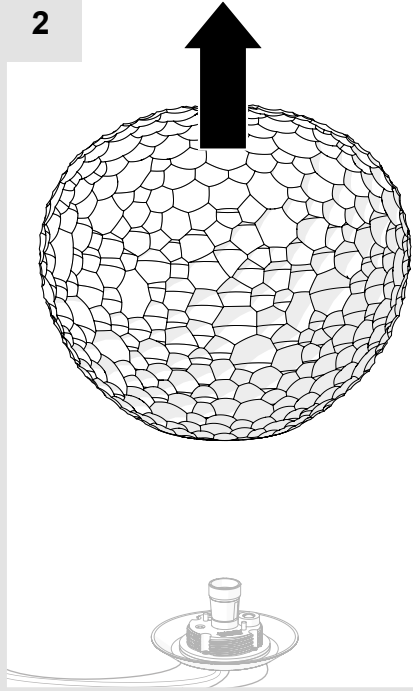
i



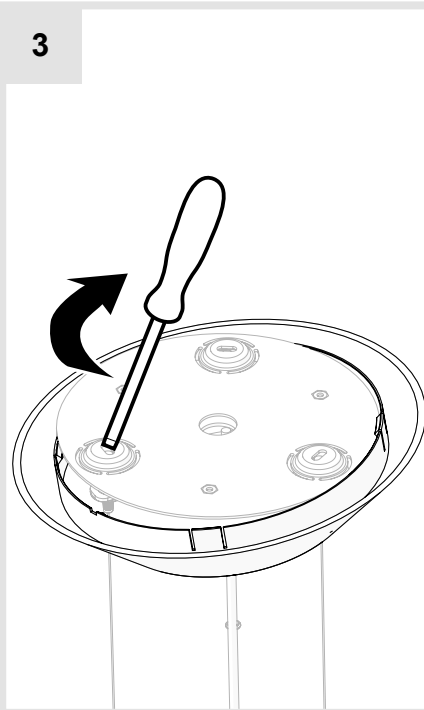
1



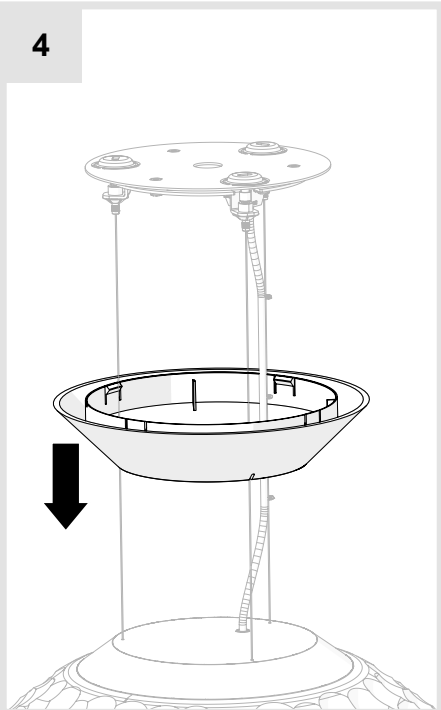
2

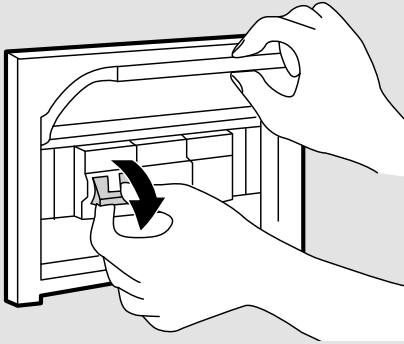


3

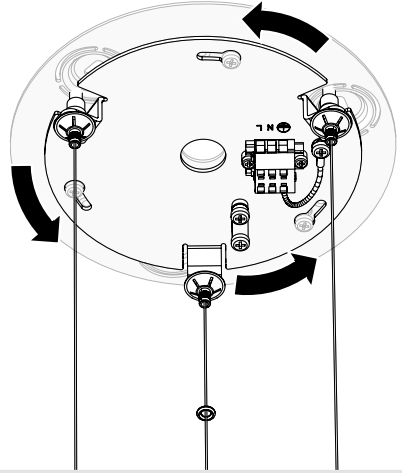


4

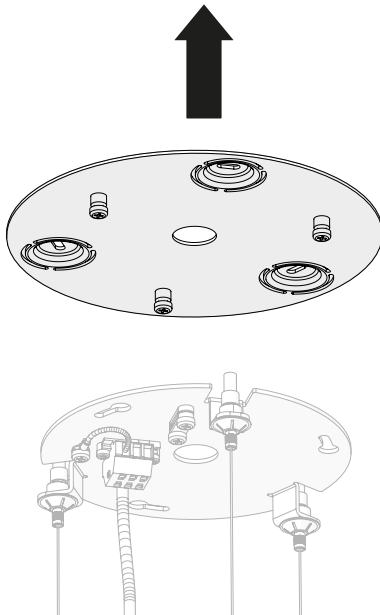




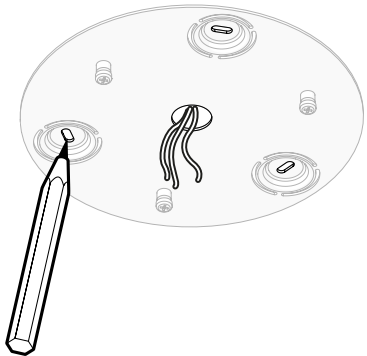
5



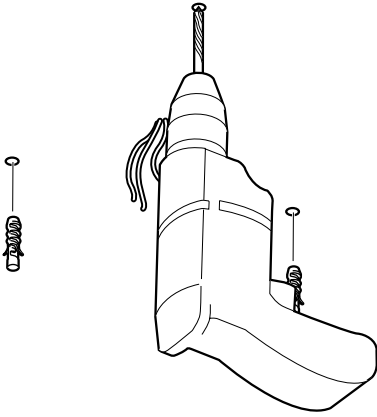
6



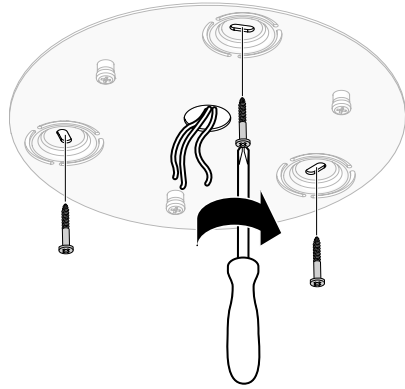
7



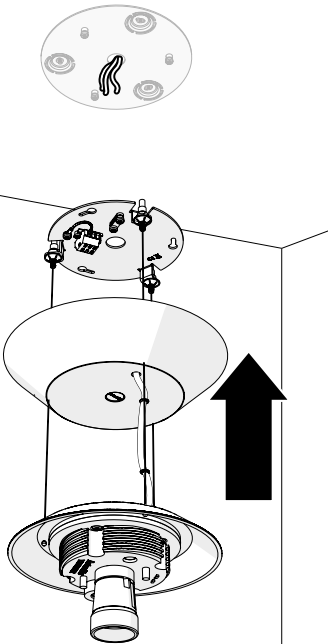
8



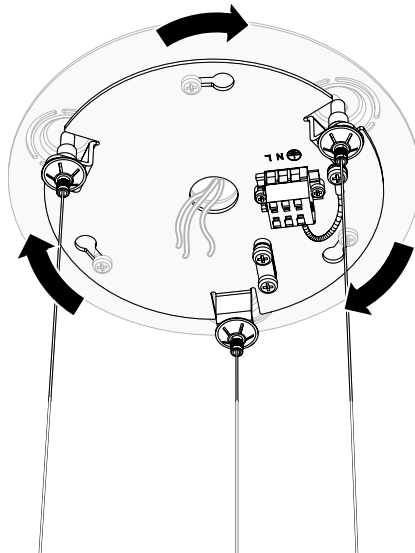
9



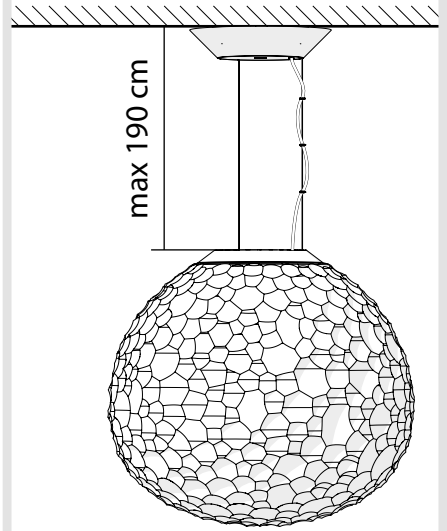
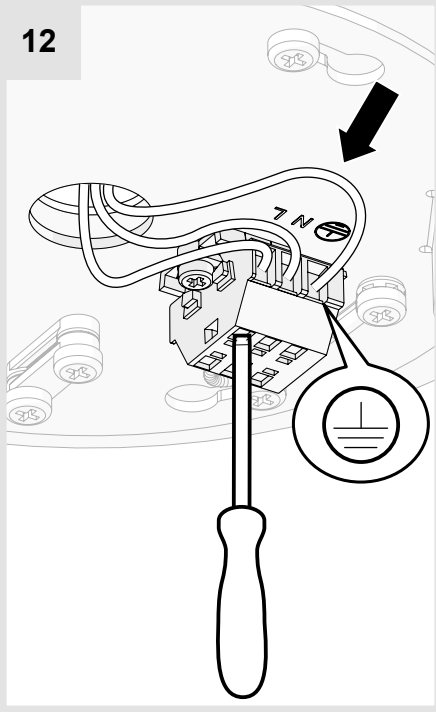
10



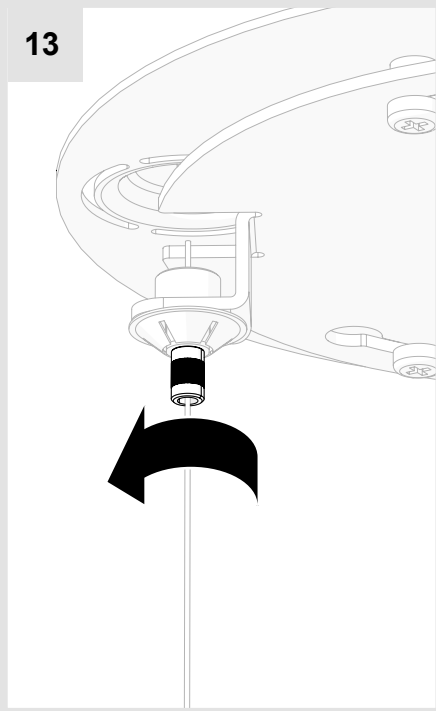
11



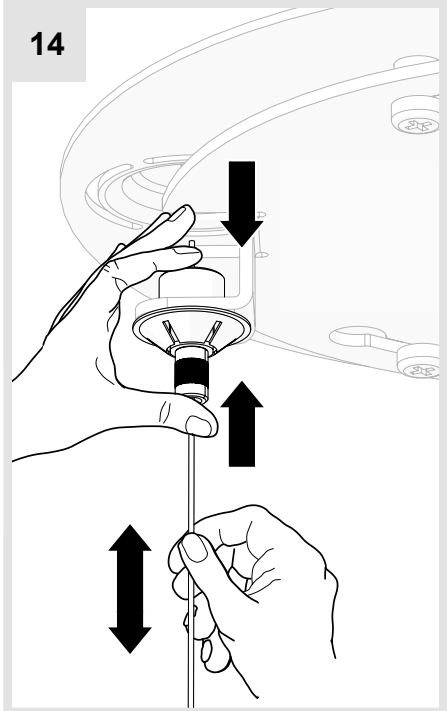
12



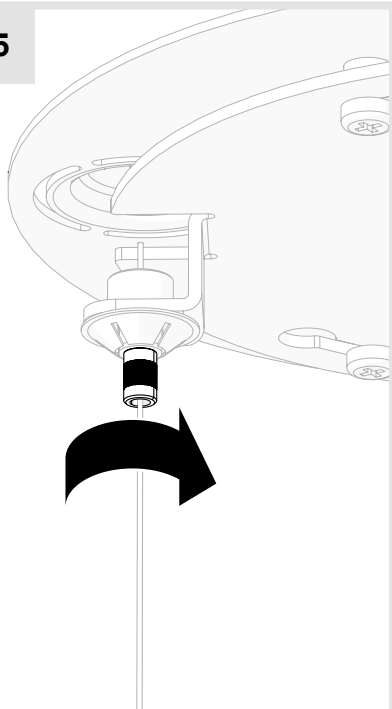
13



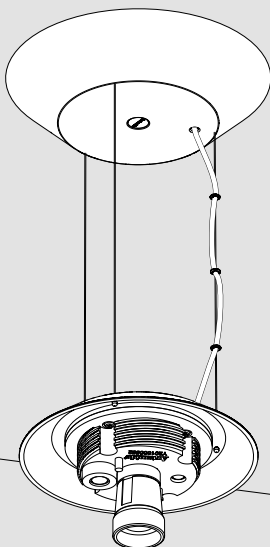
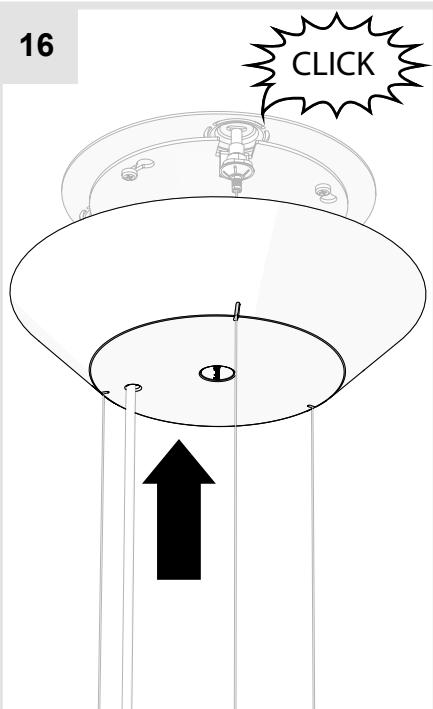
14



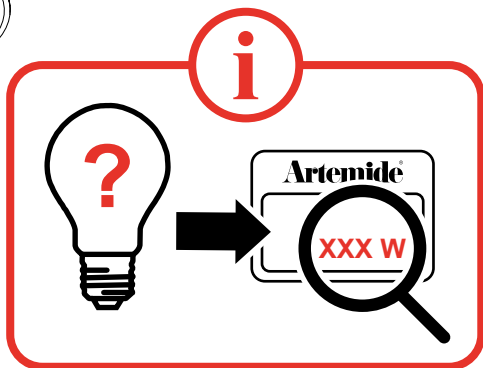
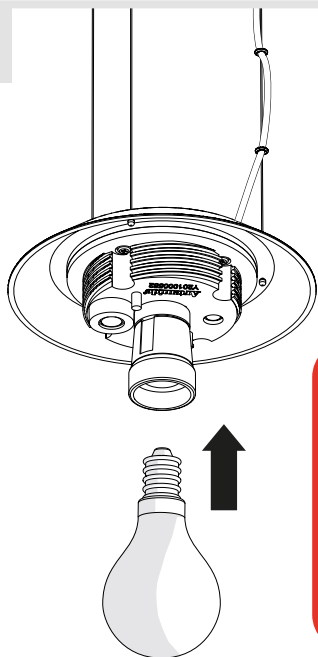
15



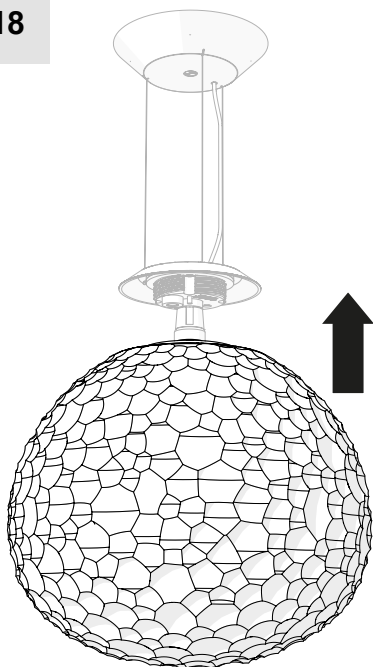
16



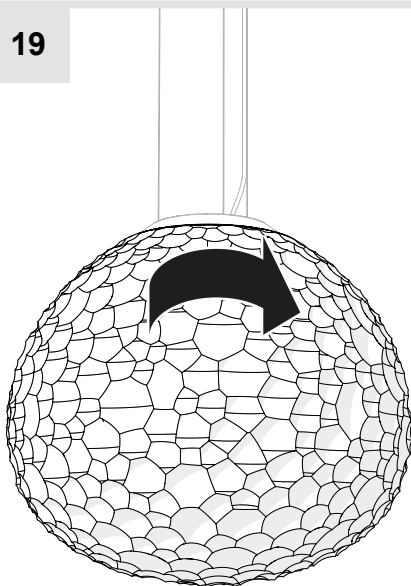
17



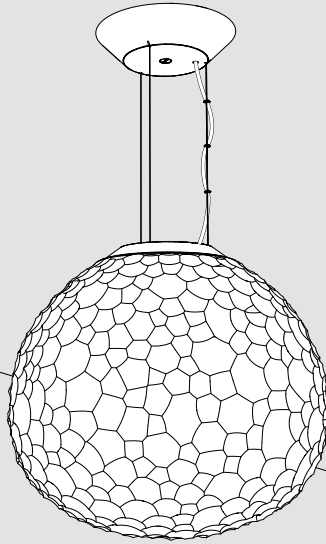
18



19

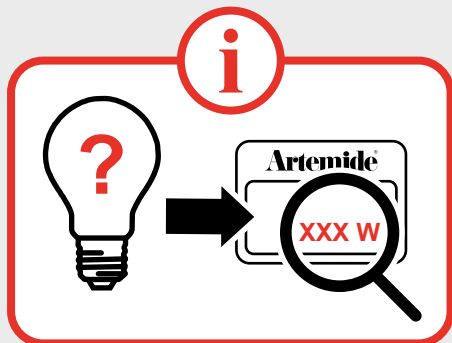
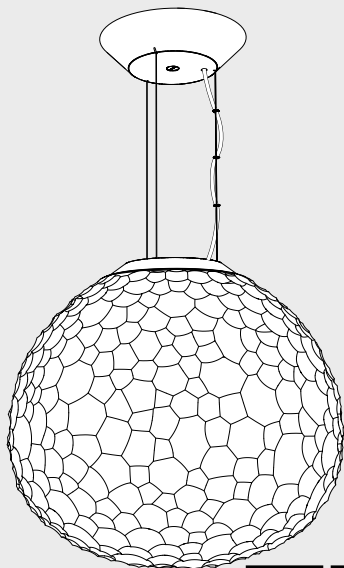








i



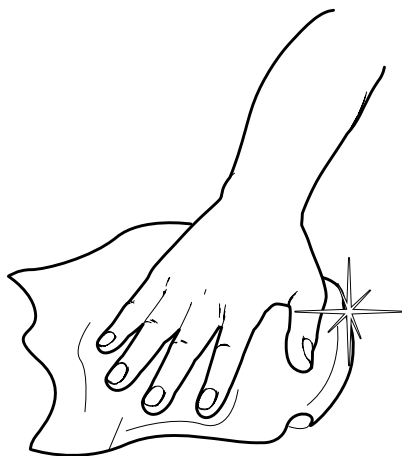
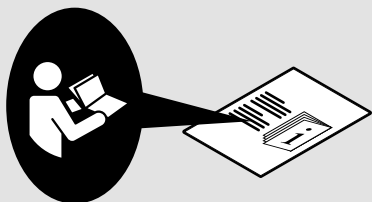
1

2

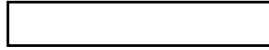
17

18

19



**Artemide®**



**Artemide**

via Bergamo, 18  
20006 Pregnana M.se (MI)  
ITALIA

tel. +39 02 935 181  
fax +39 02 935 90 254  
fax +39 02 935 90 496

[www.artemide.com](http://www.artemide.com)

VAT IT00846890150

cod. Y513000579B