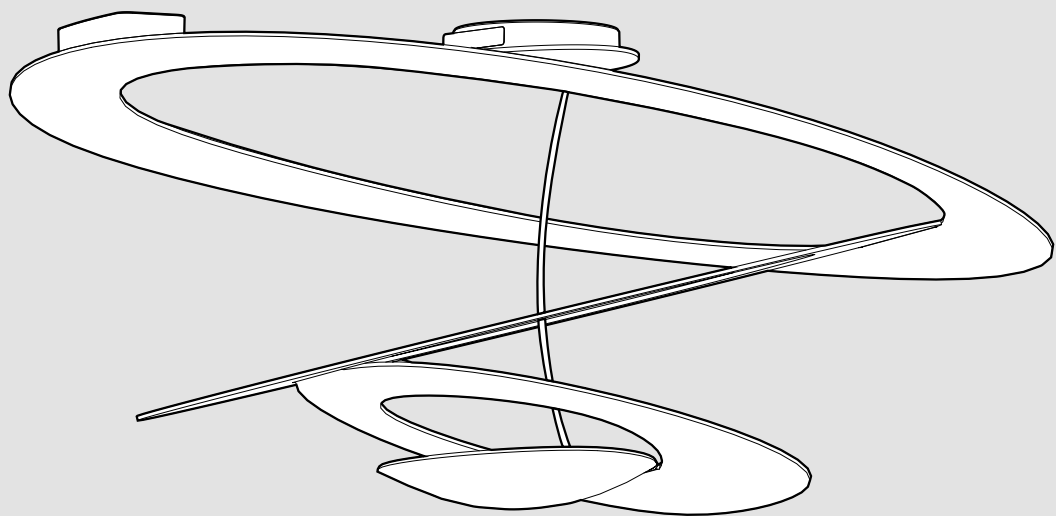


# Artemide®

## Pirce

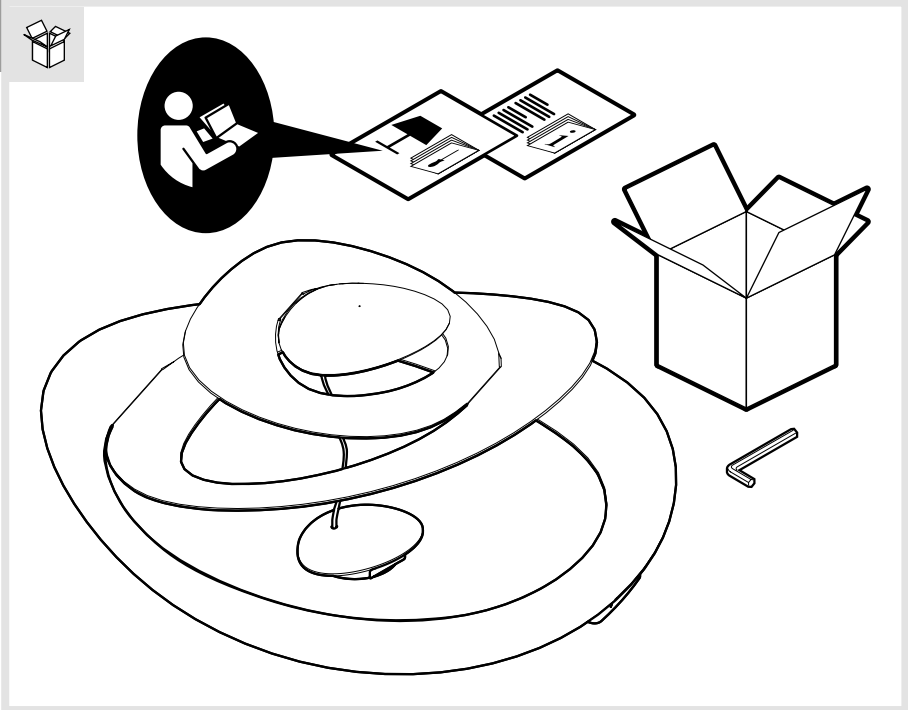
design  
G. M. Scutellà

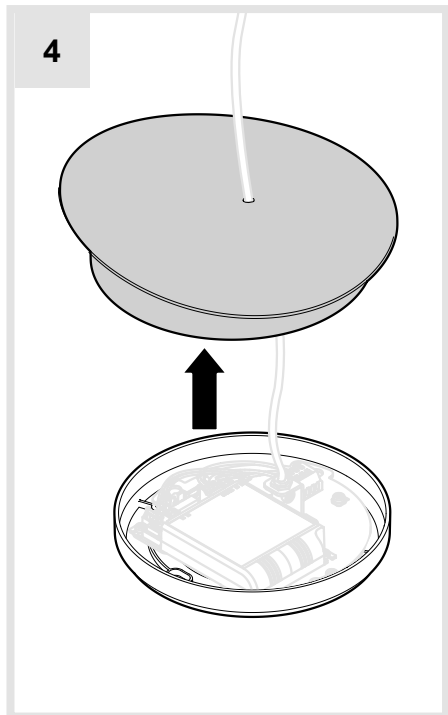
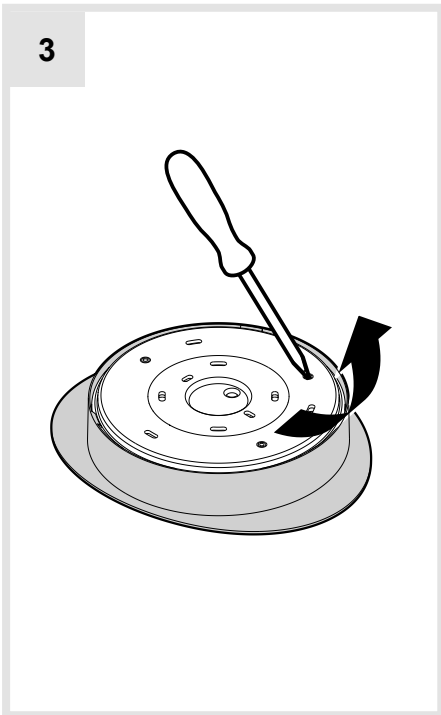
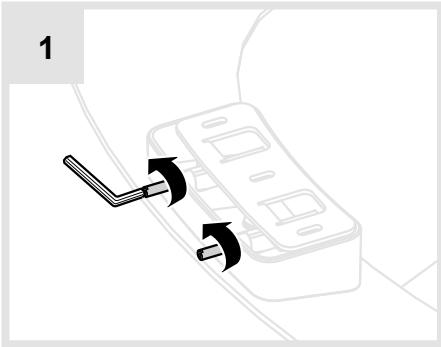
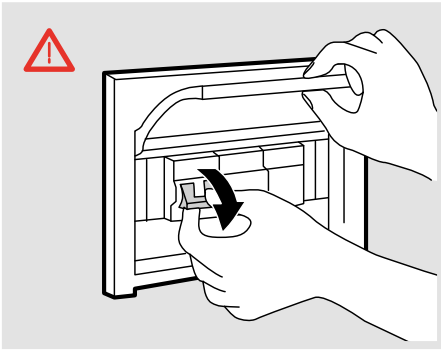




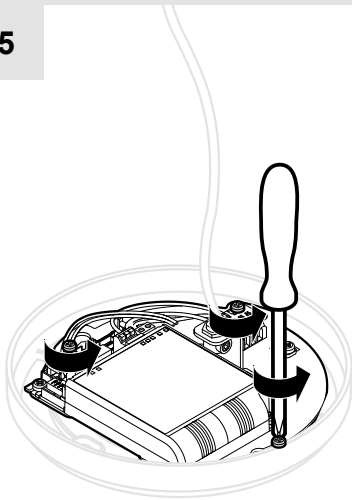
i

CE		IP20		
LED 1				
UK CA				
?	→		→	

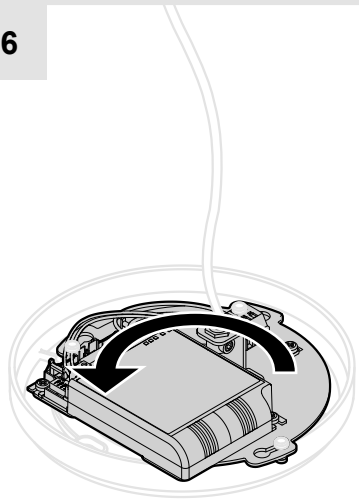




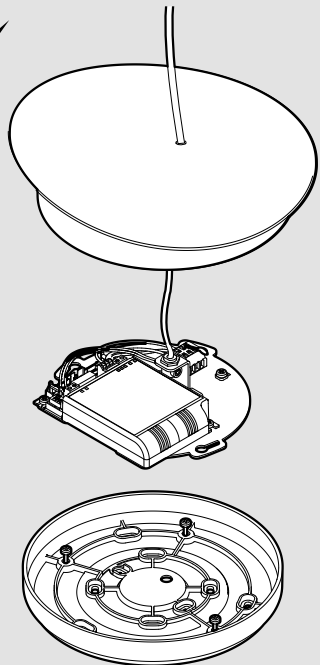
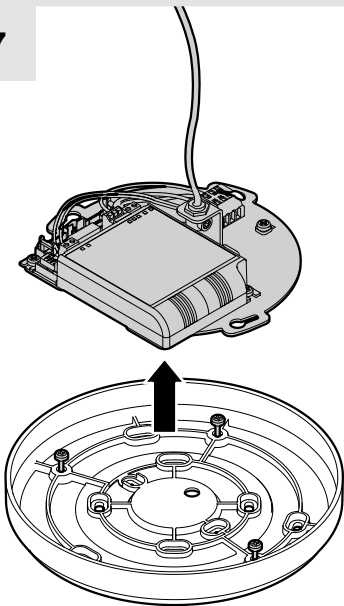
5



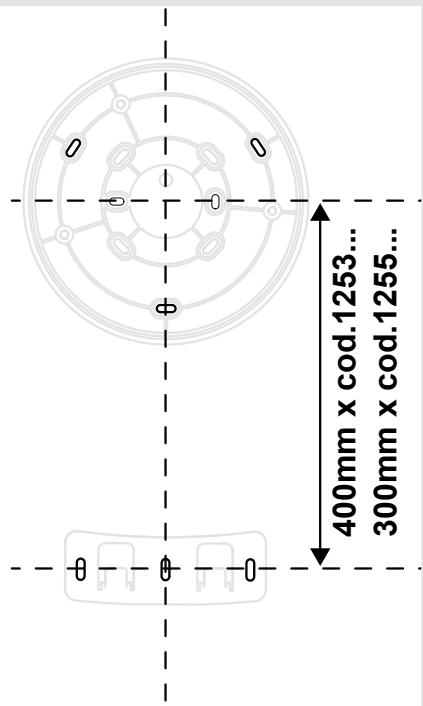
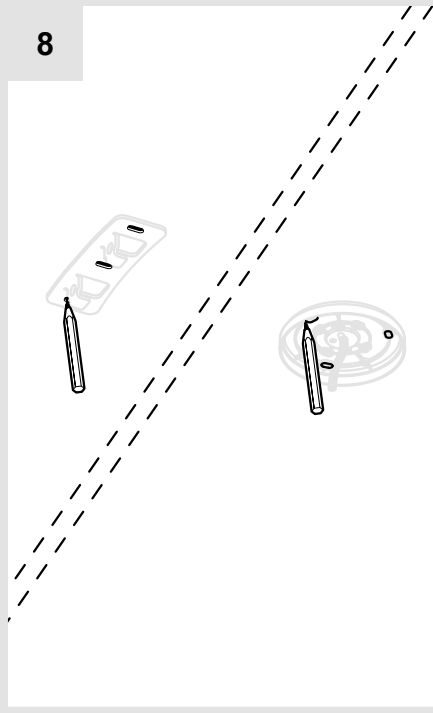
6



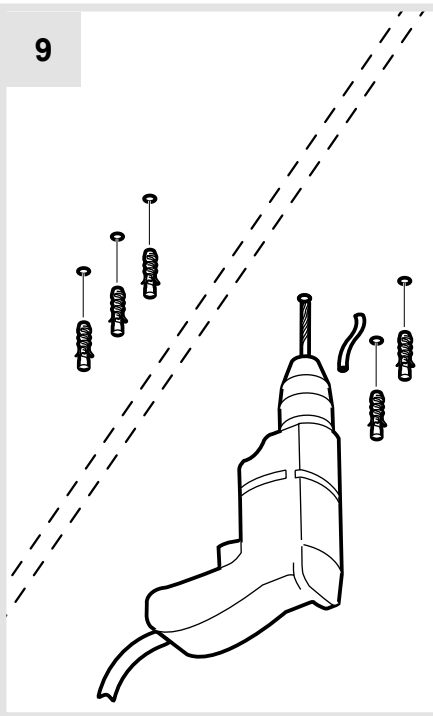
7



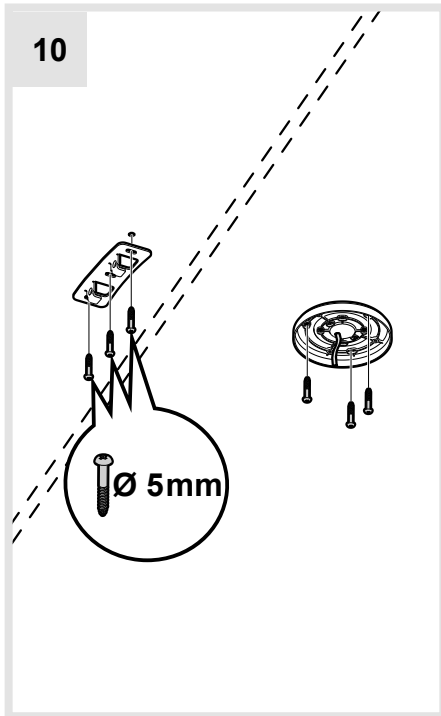
8



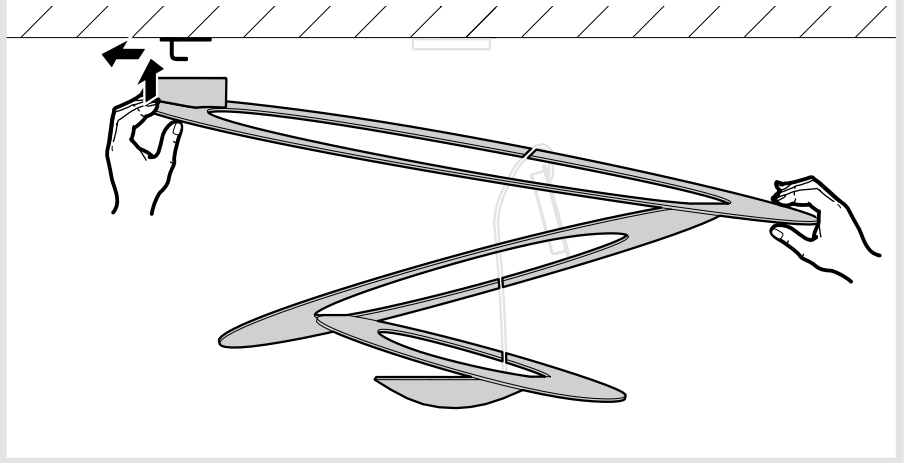
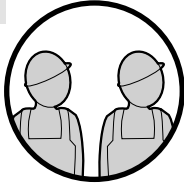
9



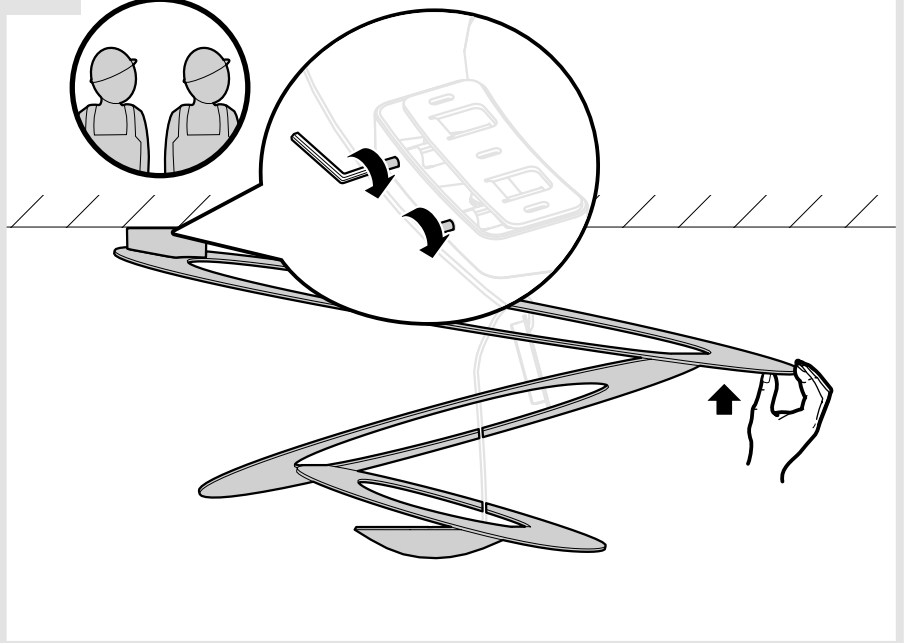
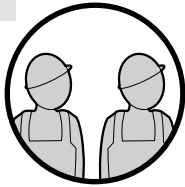
10



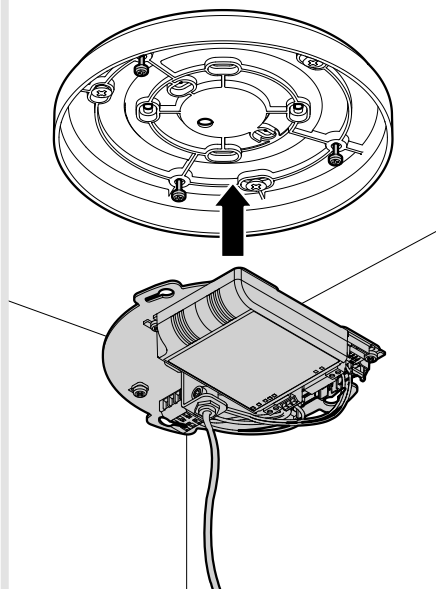
11



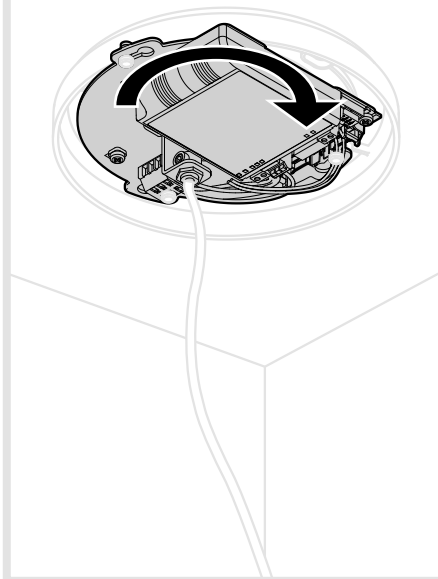
12



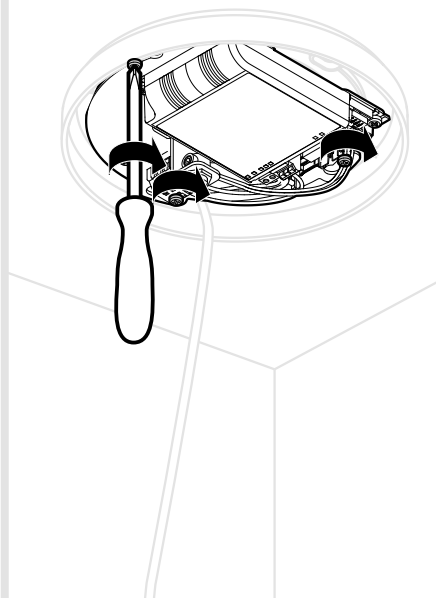
13



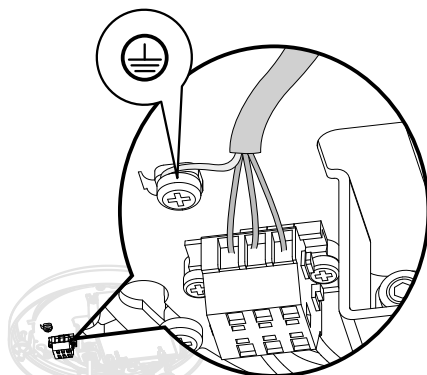
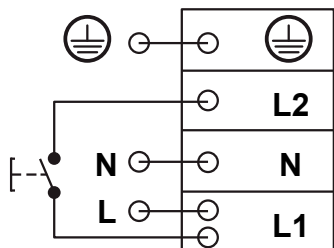
14



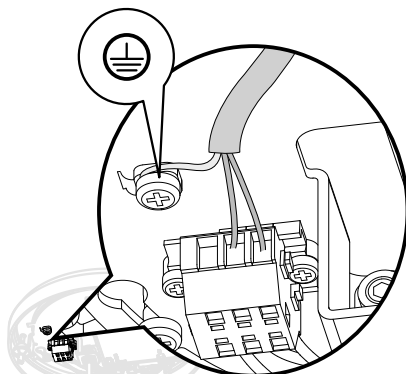
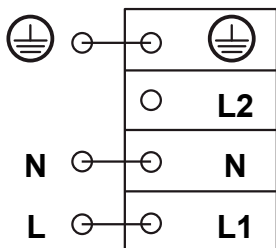
15



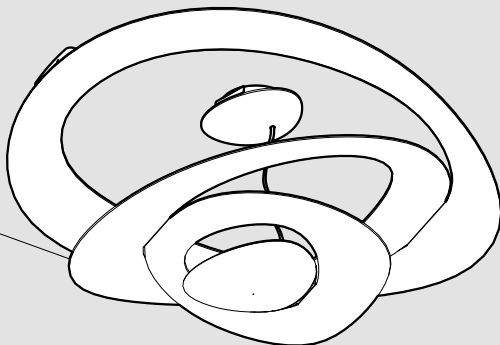
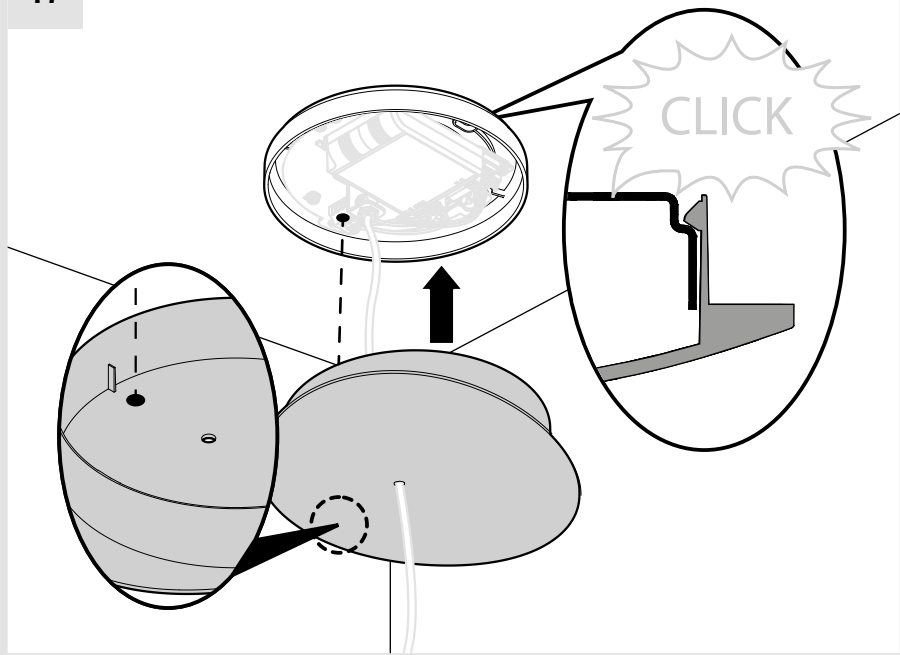
16a



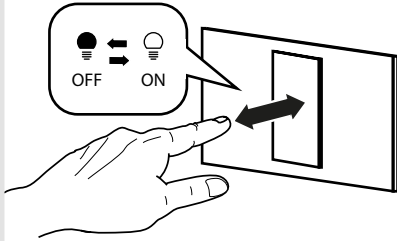
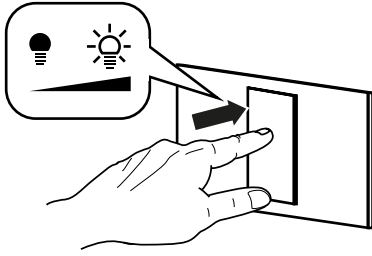
16b



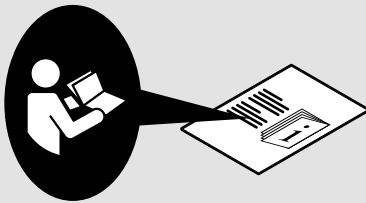




i



i

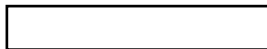


1





**Artemide®**



## **Artemide**

via Bergamo, 18  
20006 Pregnana M.se (MI)  
ITALIA

tel. +39 02 935 181  
fax +39 02 935 90 254  
fax +39 02 935 90 496

[www.artemide.com](http://www.artemide.com)

VAT IT00846890150

cod. Y513000126D