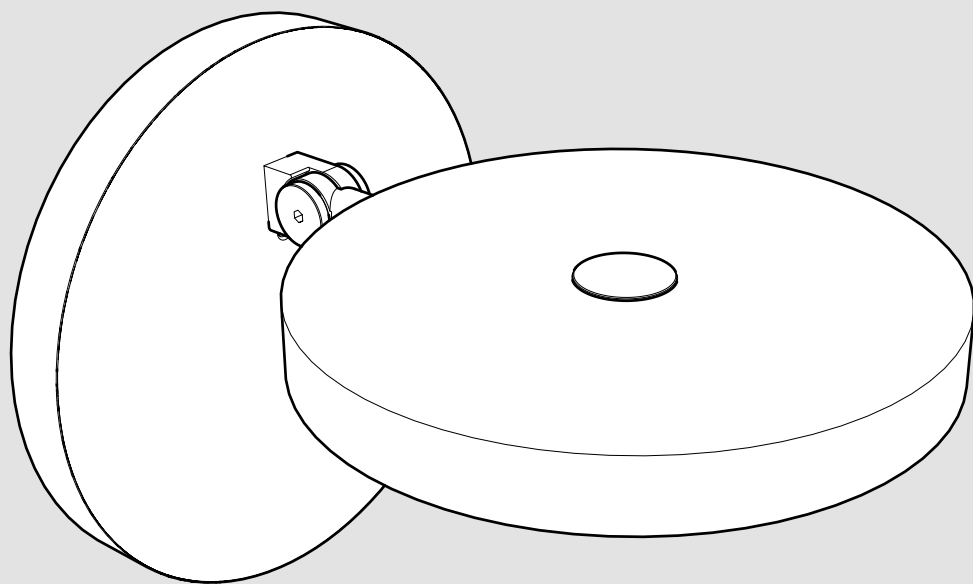


# Artemide®

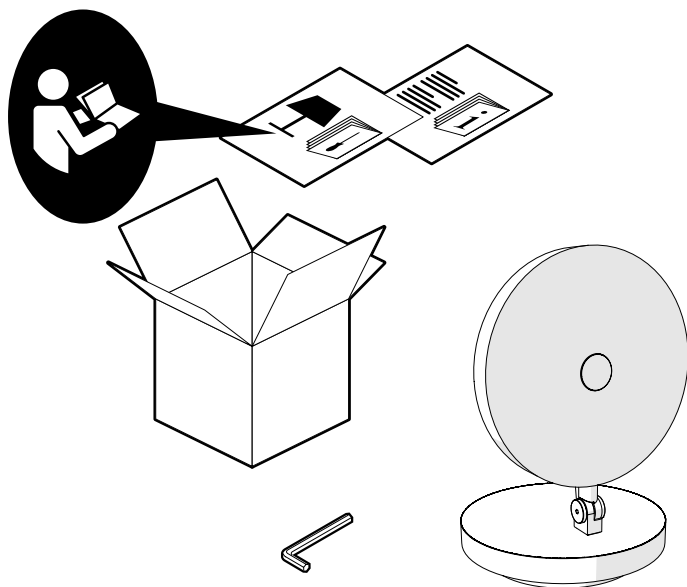
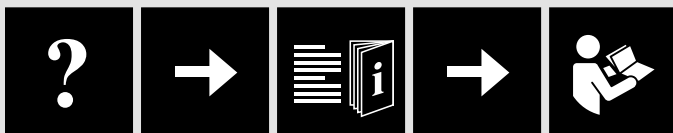
## Demetra

design  
N. Fukasawa

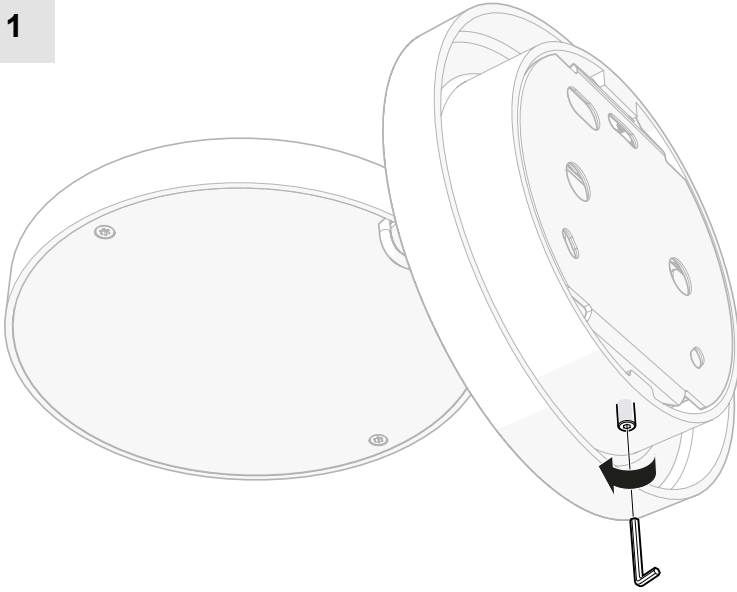




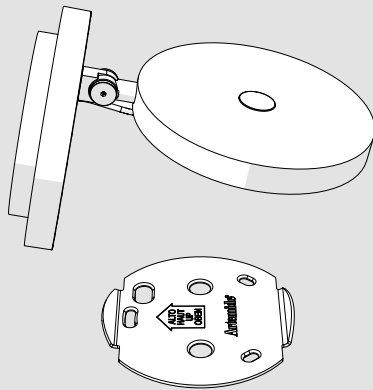
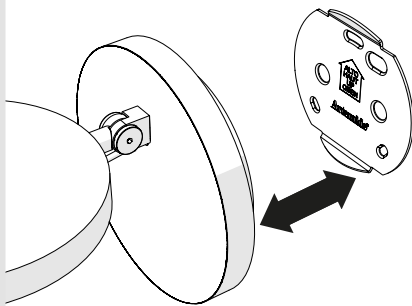
i

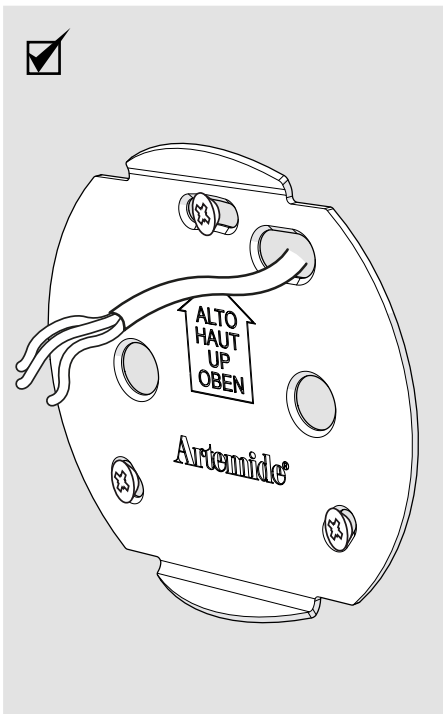
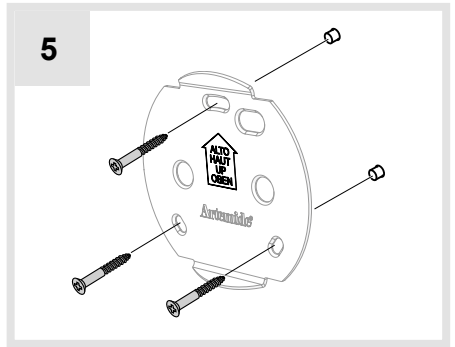
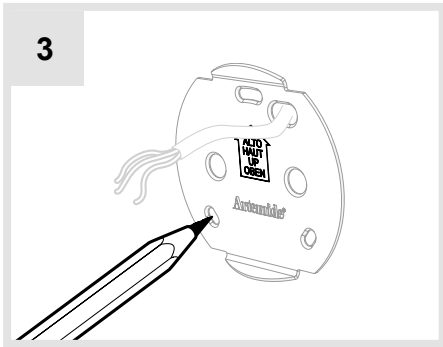
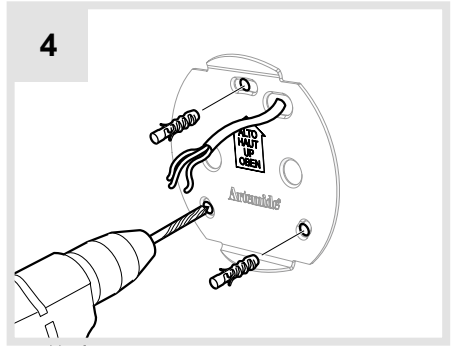
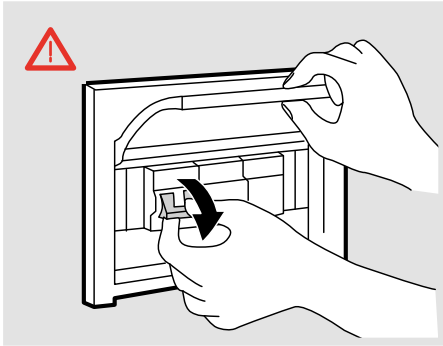


1

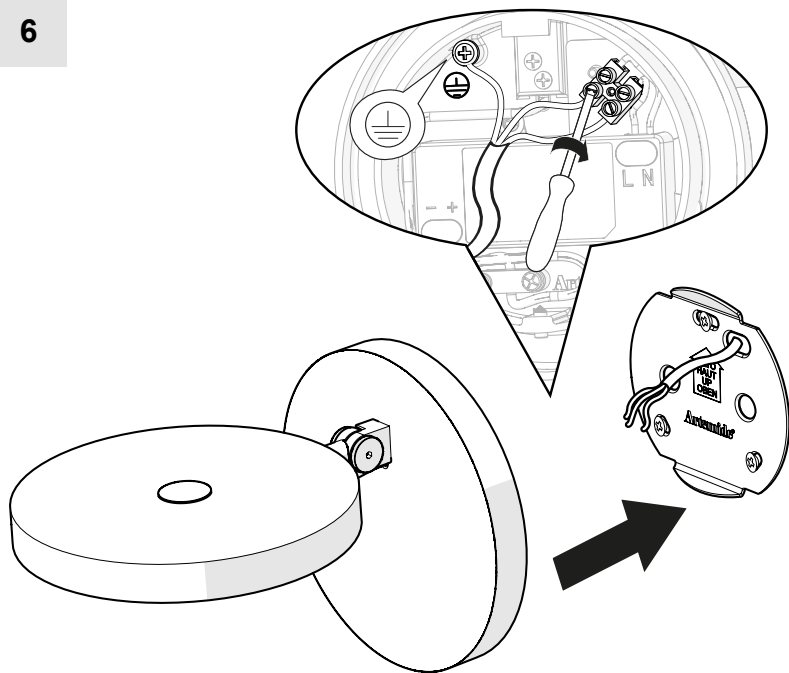


2

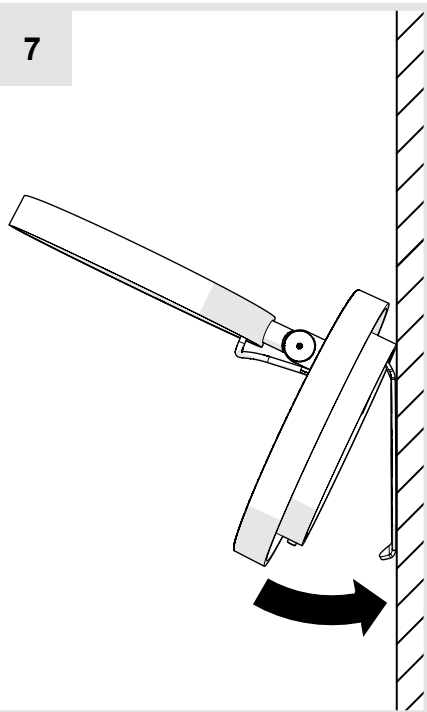




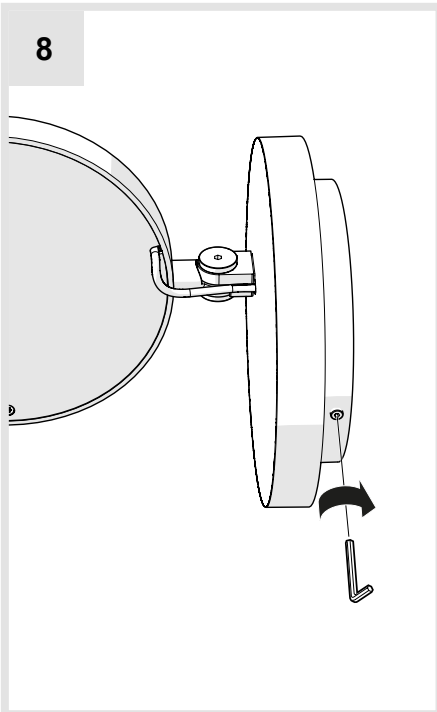
6

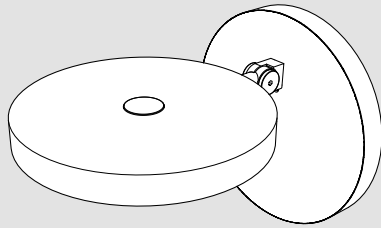


7

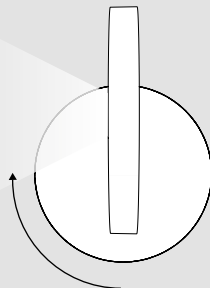
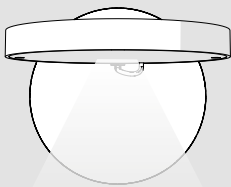
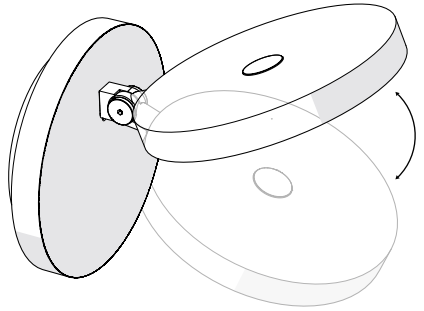


8

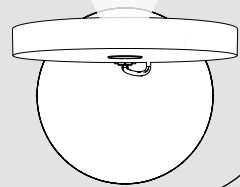





1

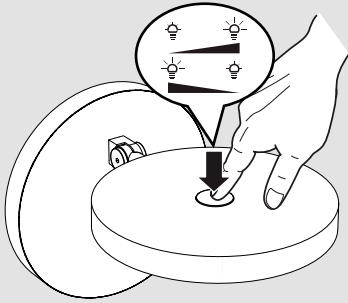
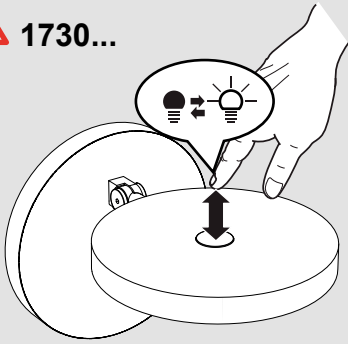


90°

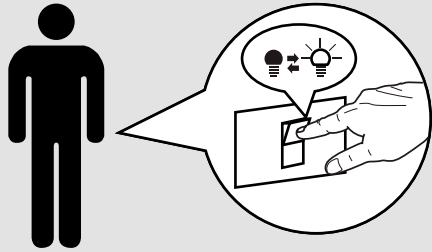
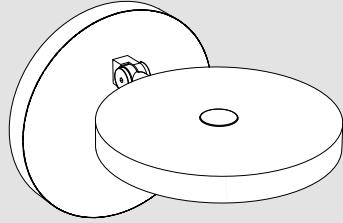


180°

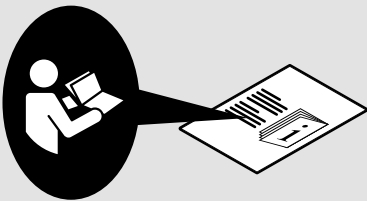
 1730...



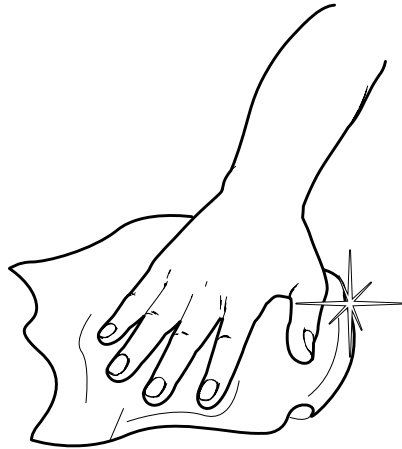
 1731...



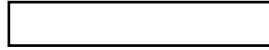
**i**



**1**



**Artemide®**



**Artemide**

via Bergamo, 18  
20006 Pregnana M.se (MI)  
ITALIA

tel. +39 02 935 181  
fax +39 02 935 90 254  
fax +39 02 935 90 496

[www.artemide.com](http://www.artemide.com)

VAT IT00846890150

cod. Y513000186D