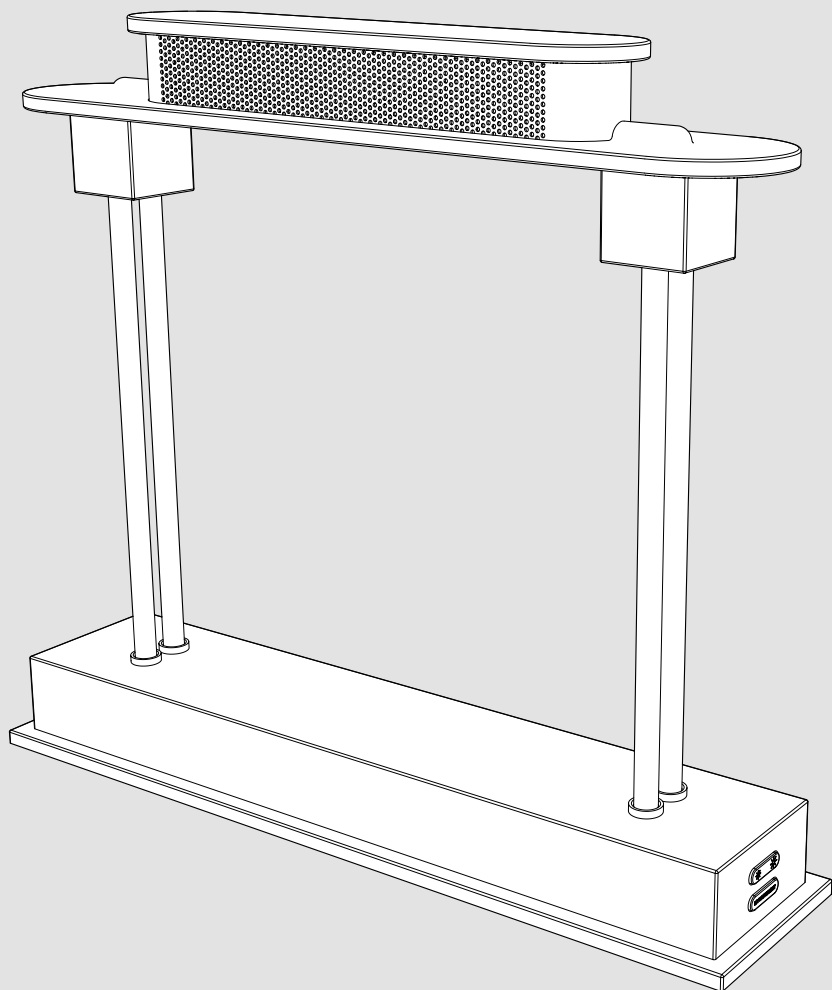


Artemide®

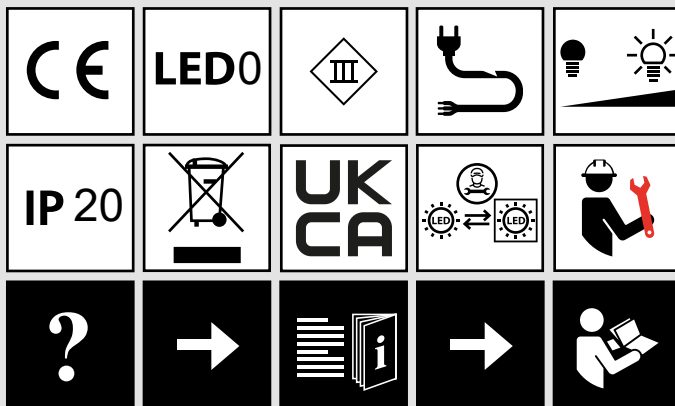
Pausania

design
E. Sottsass Jr.

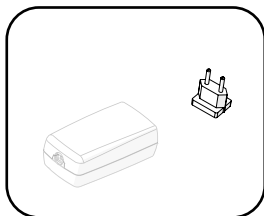




i

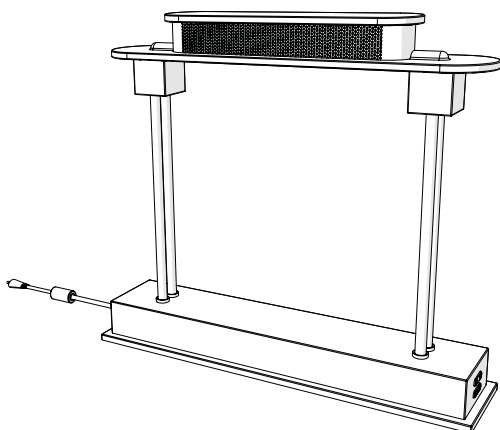
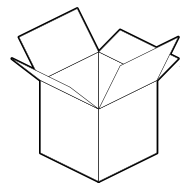
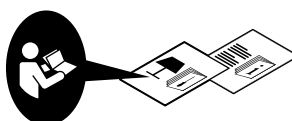
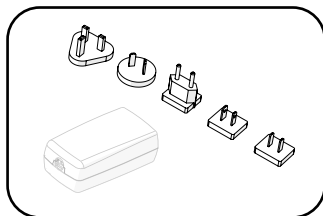


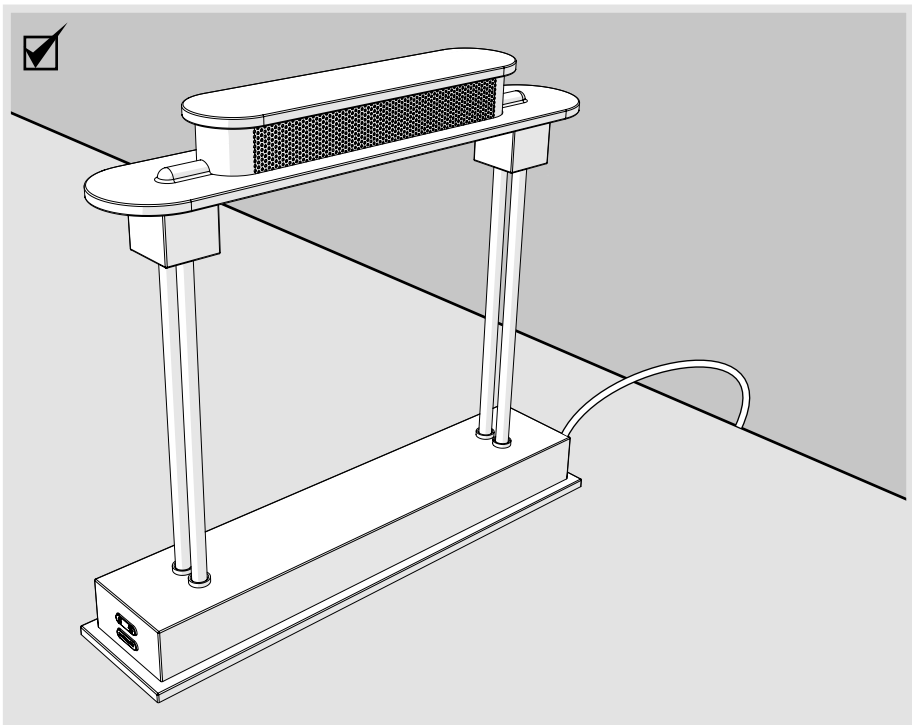
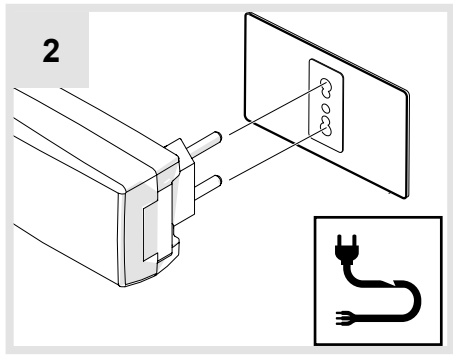
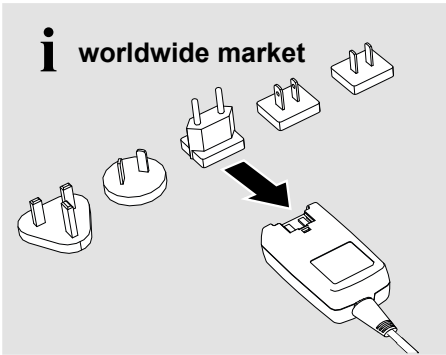
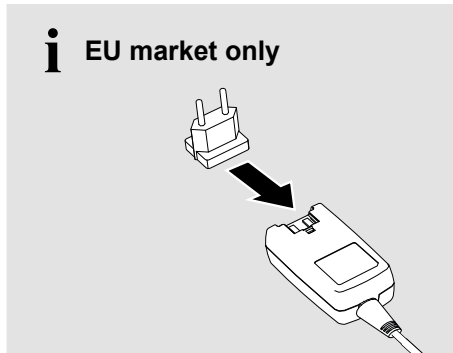
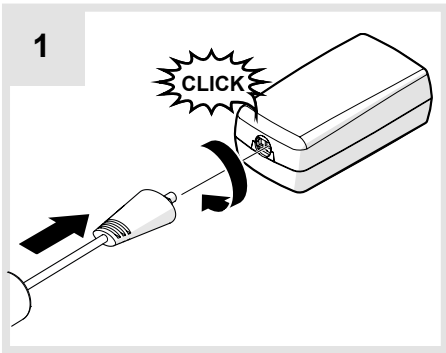
EU market only



or

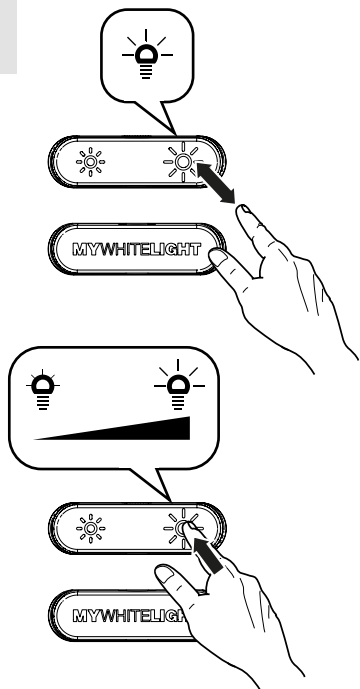
worldwide market



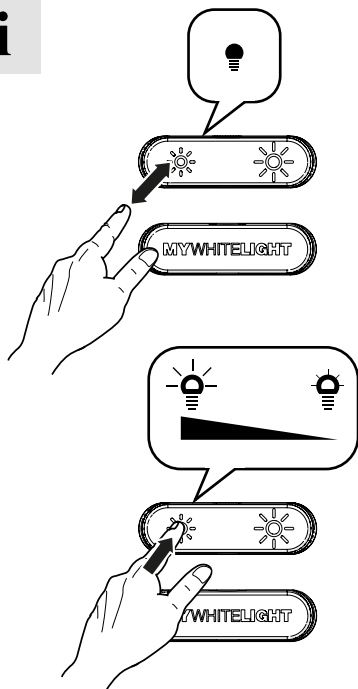




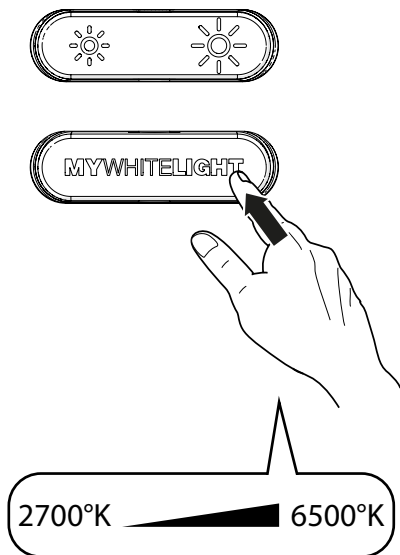
i



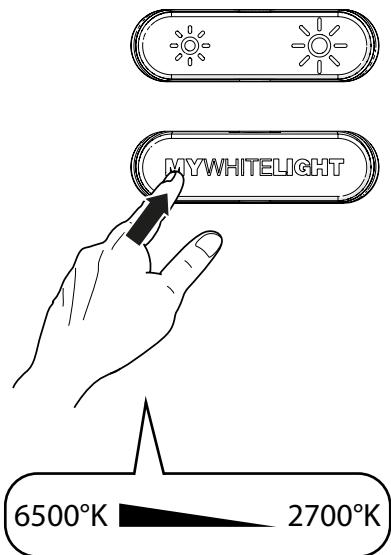
i



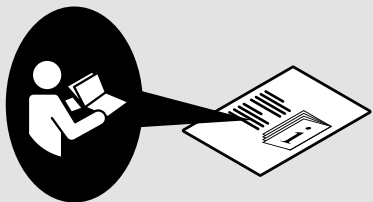
i



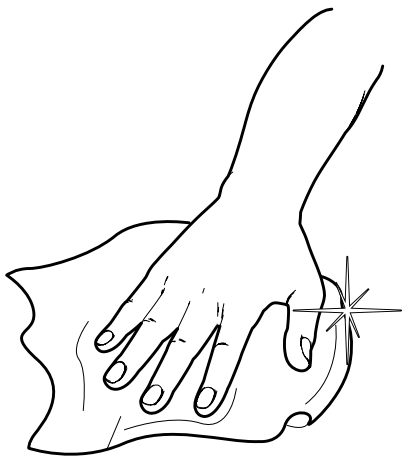
i



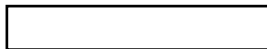
i



1



Artemide®



Artemide

via Bergamo, 18
20006 Pregnana M.se (MI)
ITALIA

tel. +39 02 935 181
fax +39 02 935 90 254
fax +39 02 935 90 496

www.artemide.com

VAT IT00846890150

cod. Y513000283B