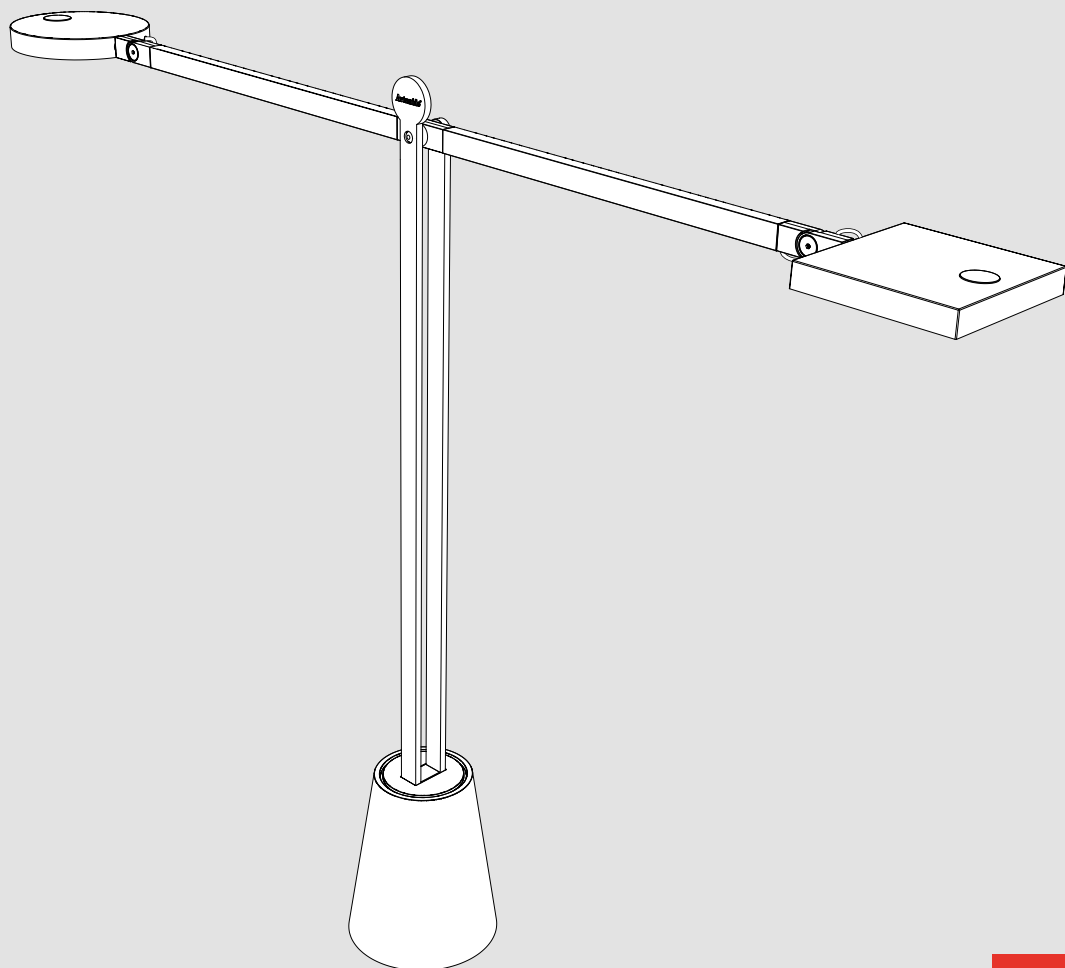


Artemide®

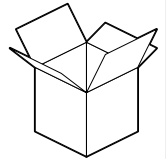
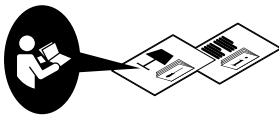
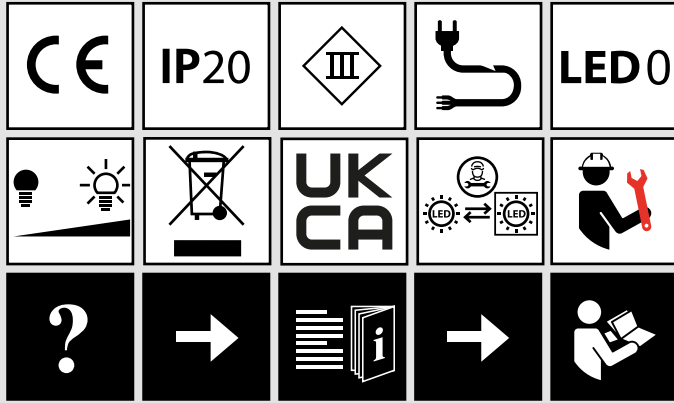
Equilibrist

design
J. Nouvel

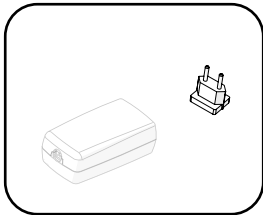




i

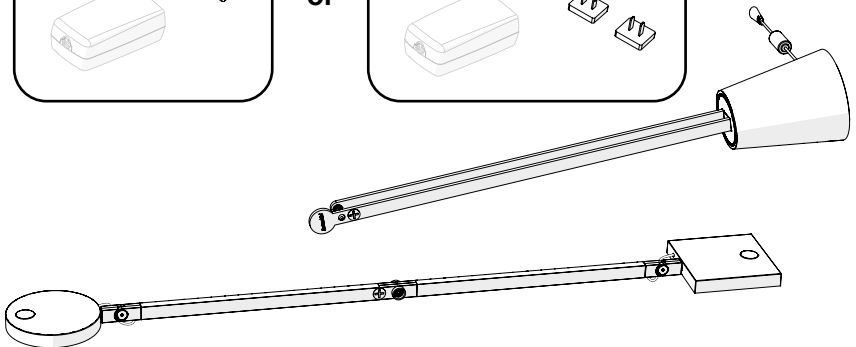
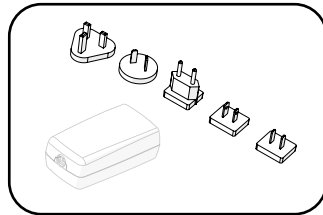


EU market only

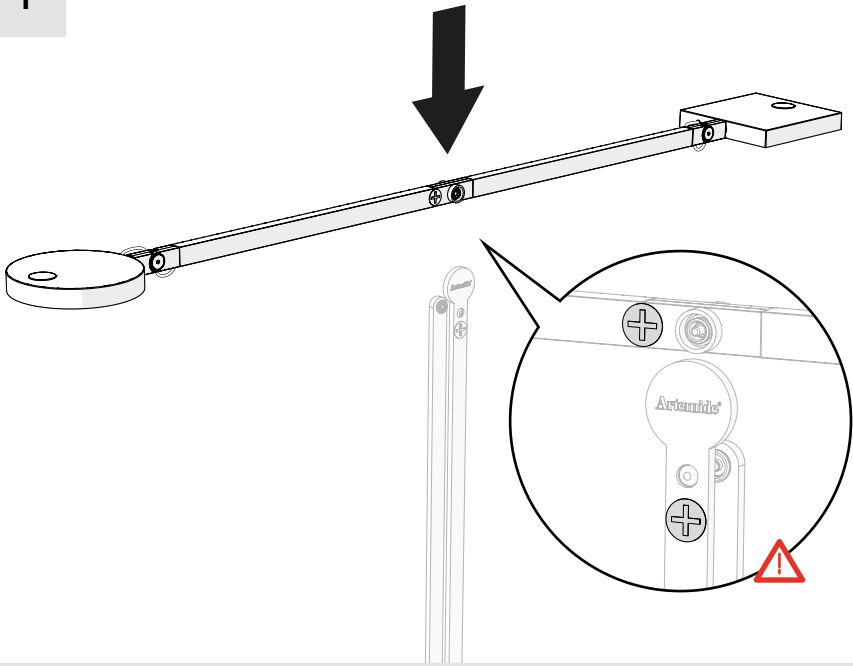


or

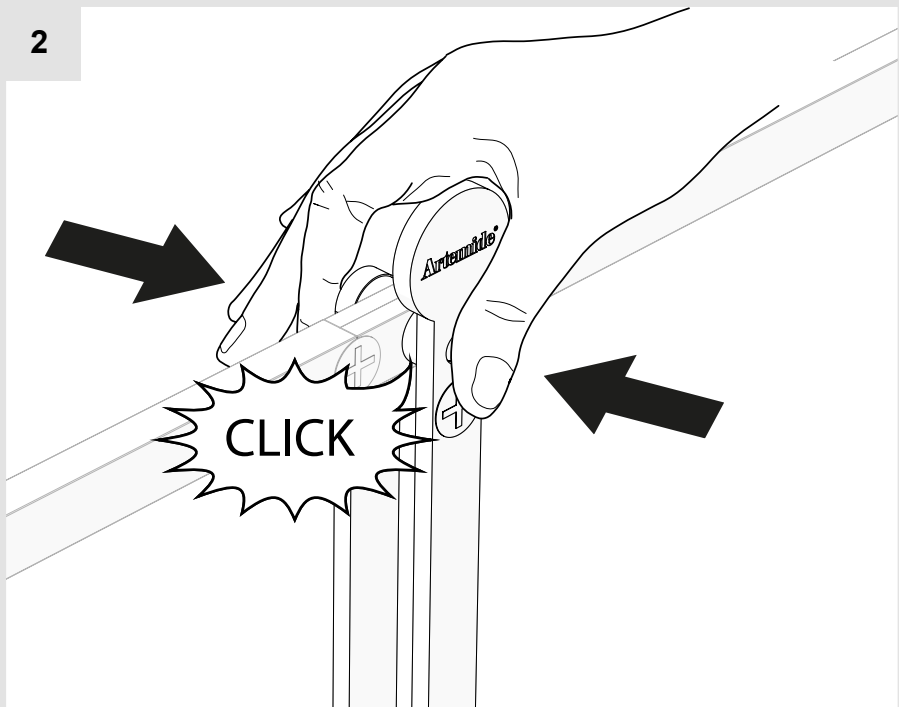
worldwide market



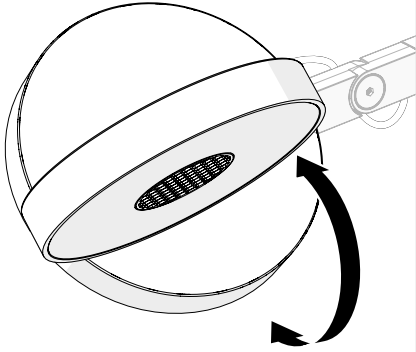
1



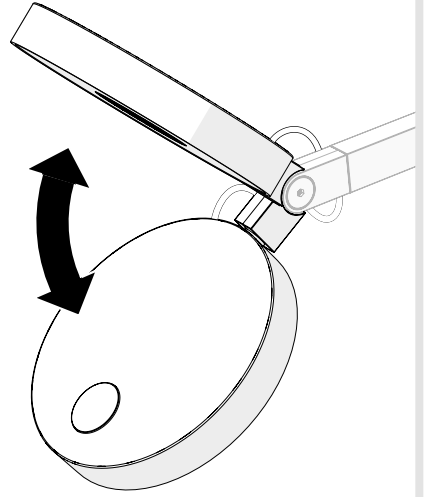
2



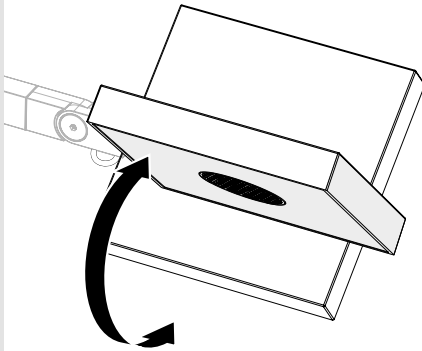
i



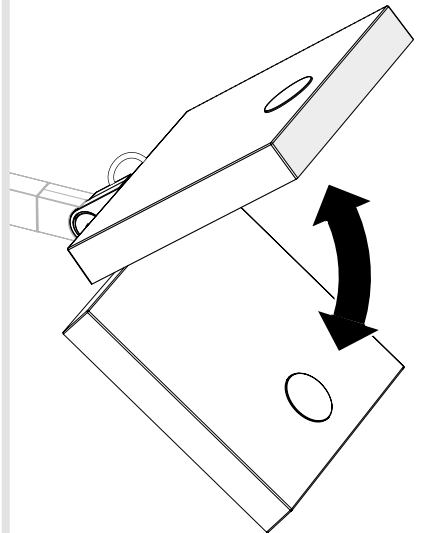
i



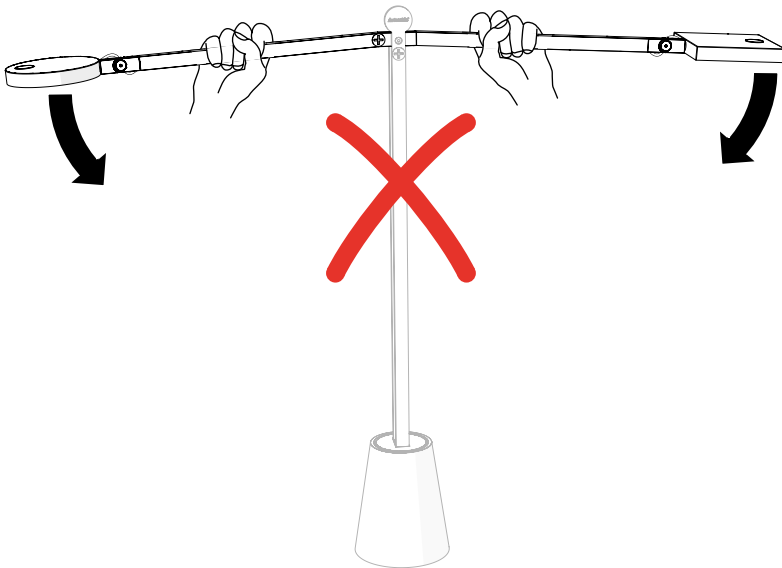
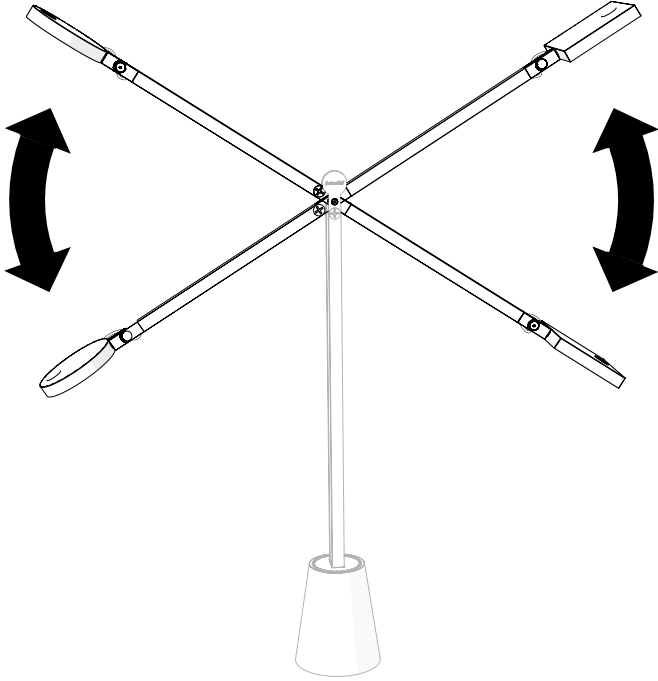
i

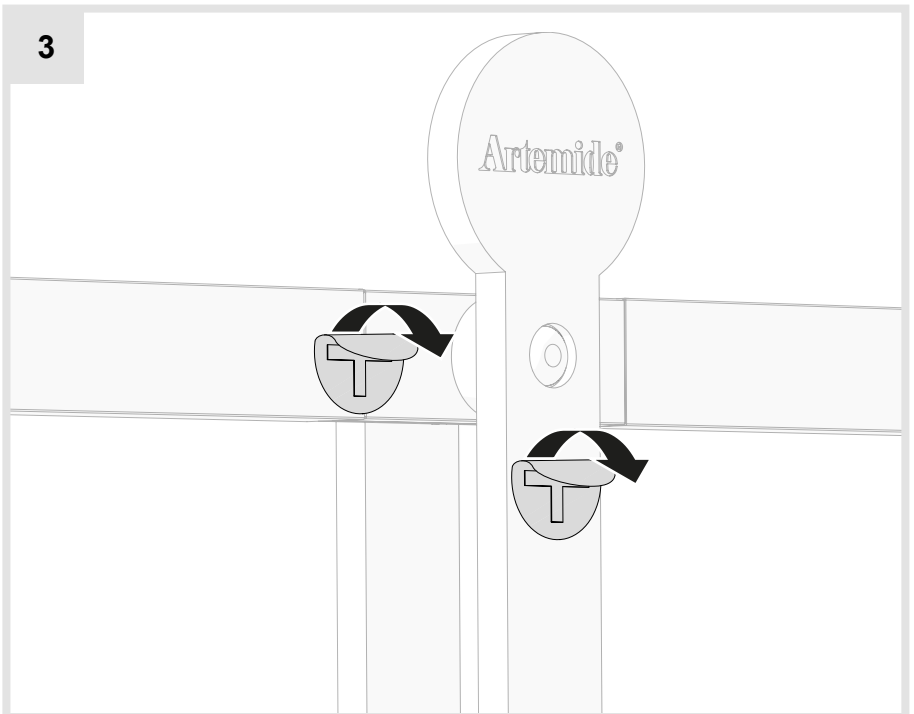
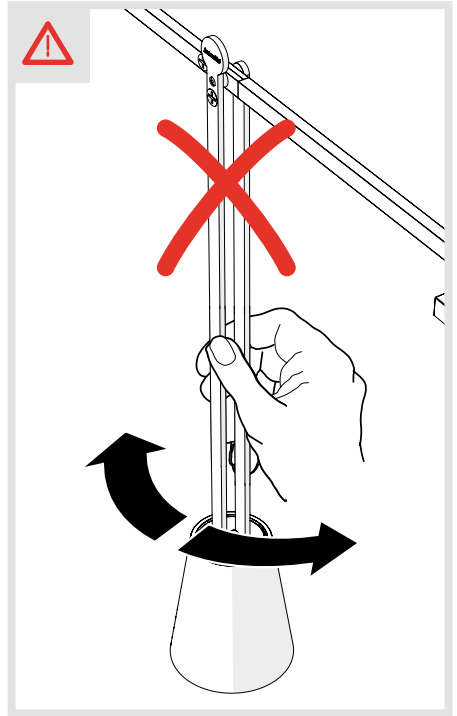
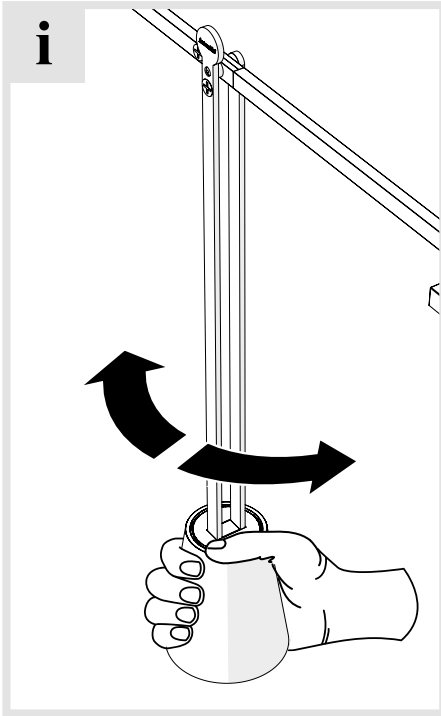


i



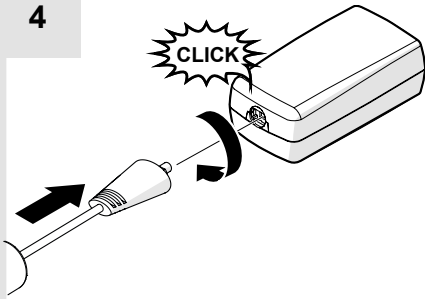
i



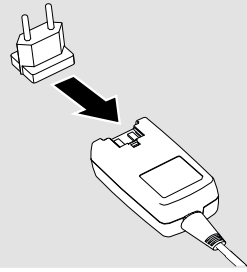




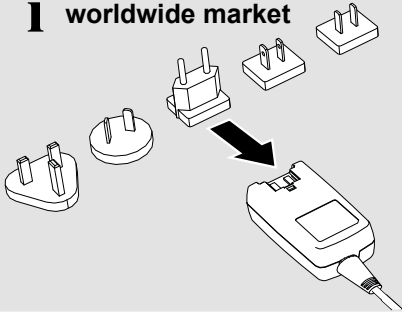
4



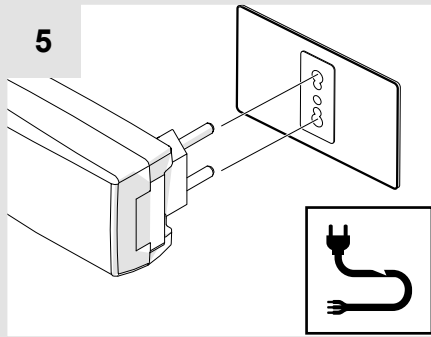
i EU market only



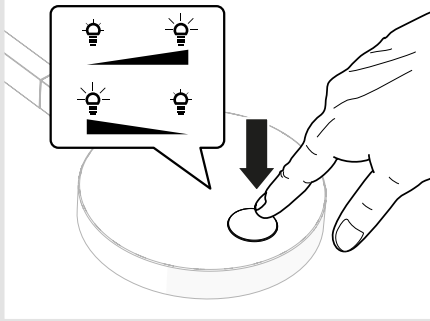
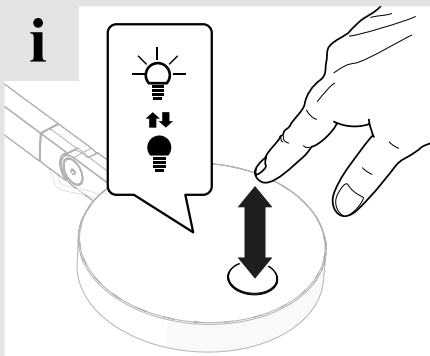
i worldwide market



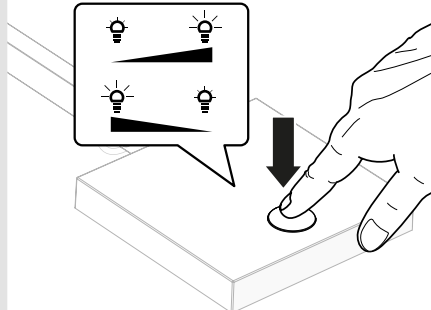
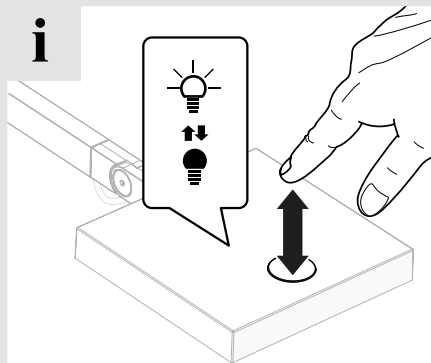
5

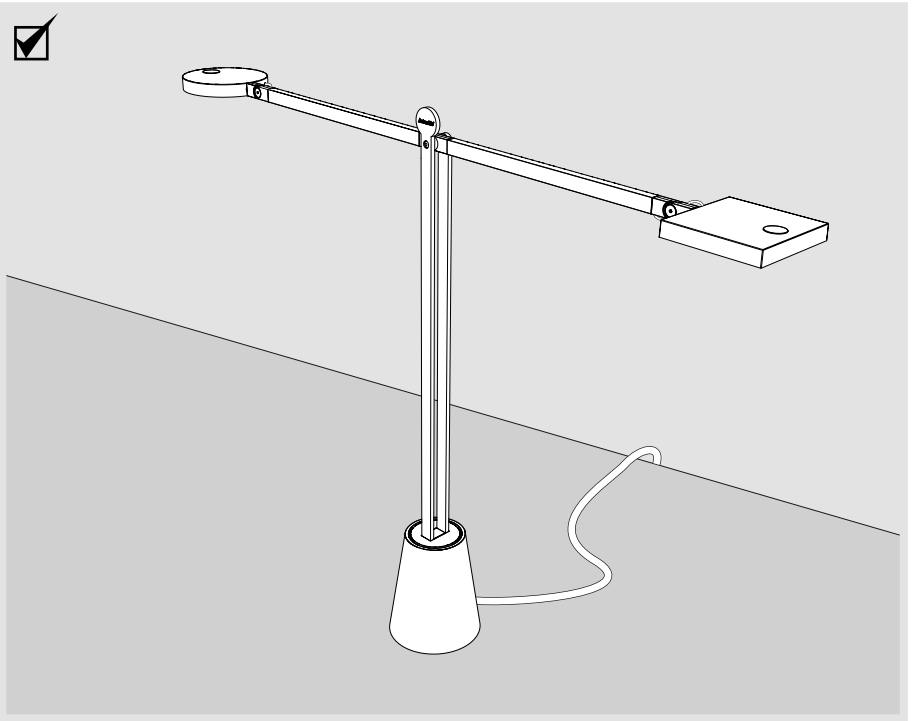


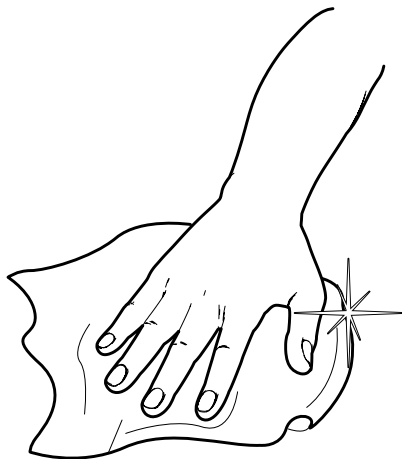
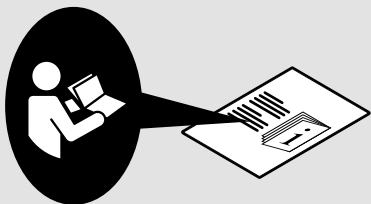
i



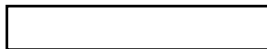
i







Artemide®



Artemide

via Bergamo, 18
20006 Pregnana M.se (MI)
ITALIA

tel. +39 02 935 181
fax +39 02 935 90 254
fax +39 02 935 90 496

www.artemide.com

VAT IT00846890150

cod. Y513000292A