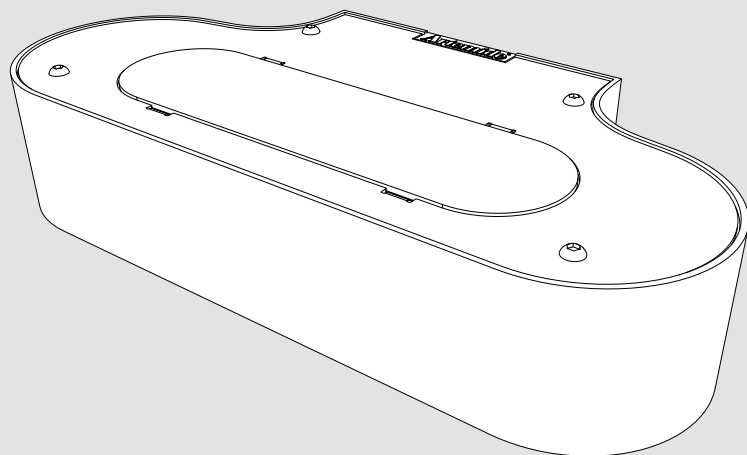


Artemide®

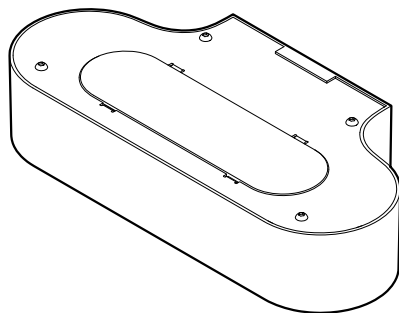
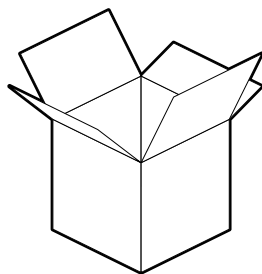
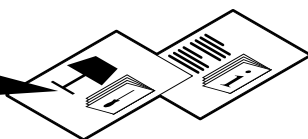
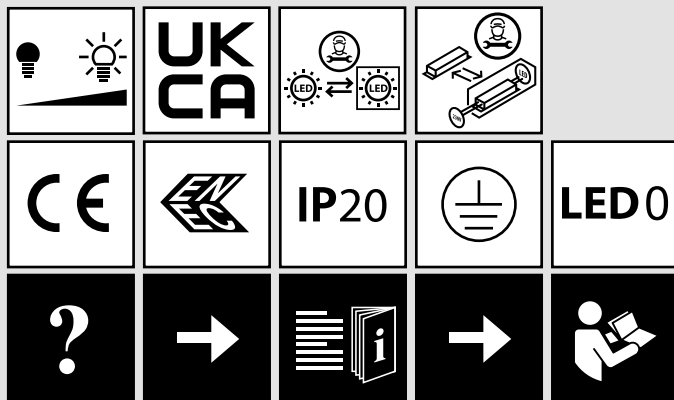
Talo

design
N. Poulton

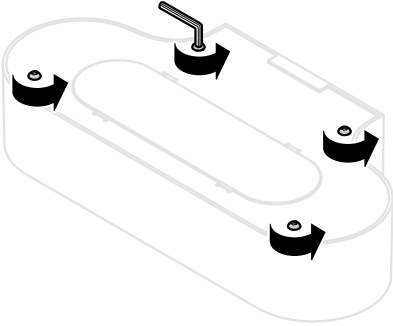




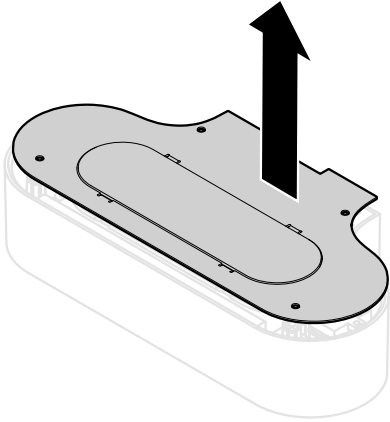
i



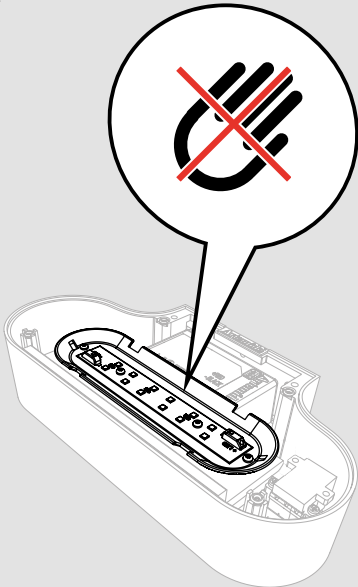
1



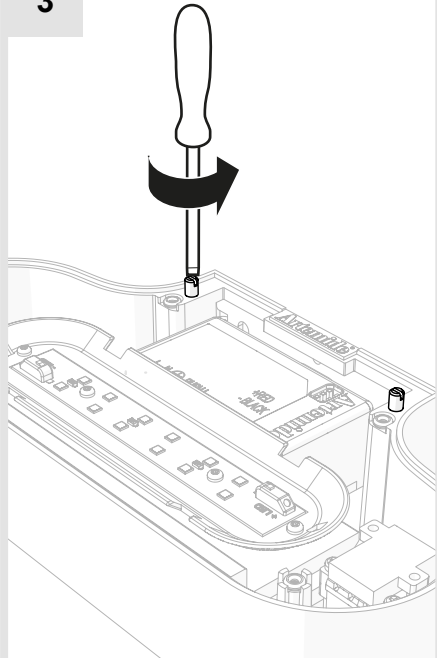
2



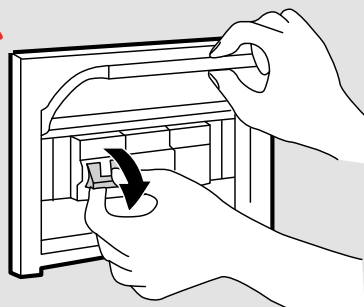
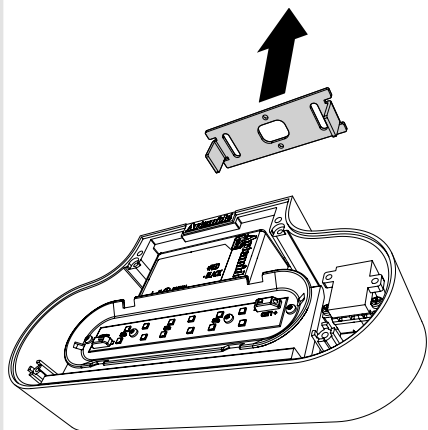
i



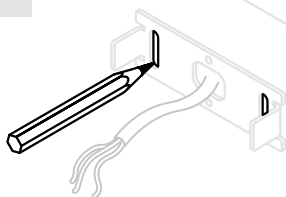
3



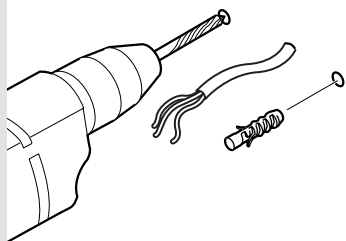
4



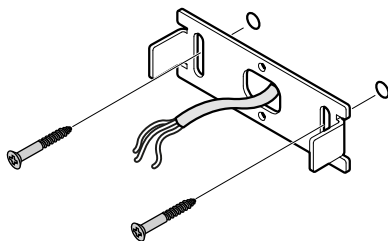
5



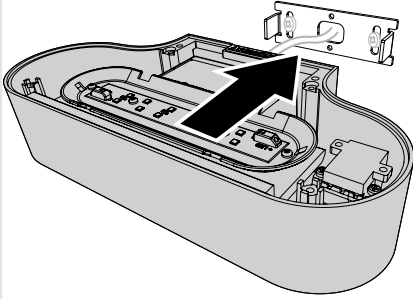
6



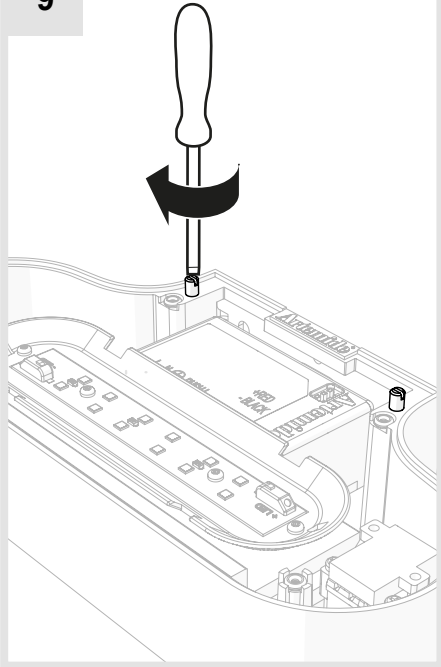
7



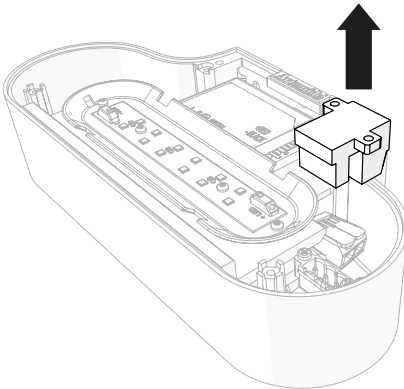
8



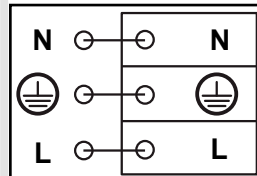
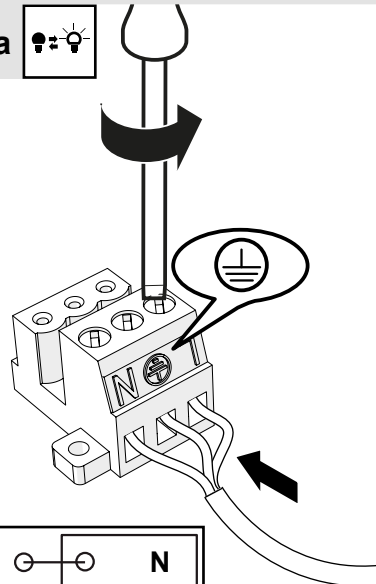
9



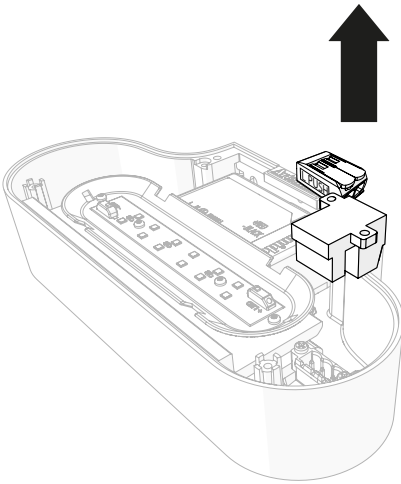
10a



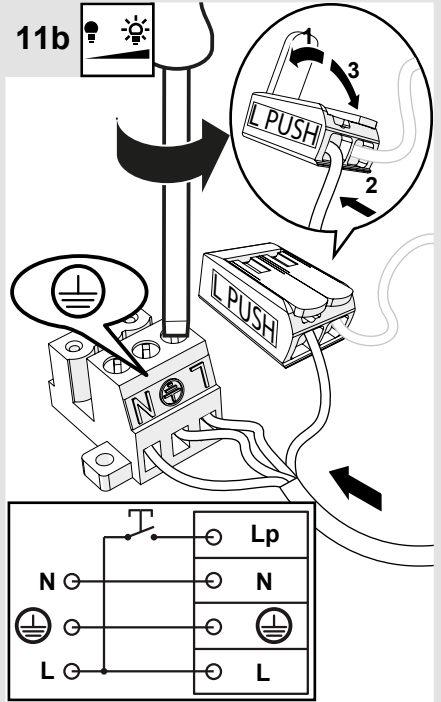
11a



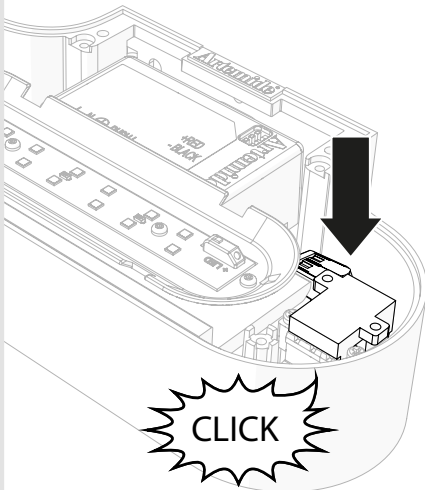
10b



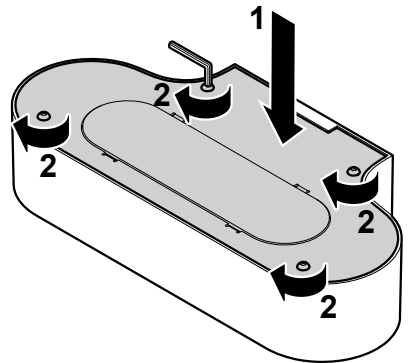
11b

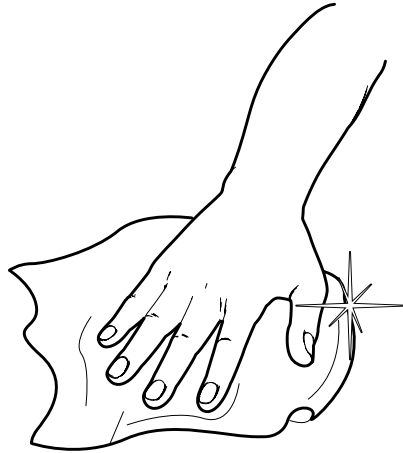
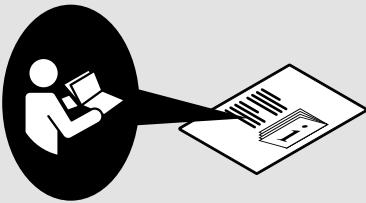
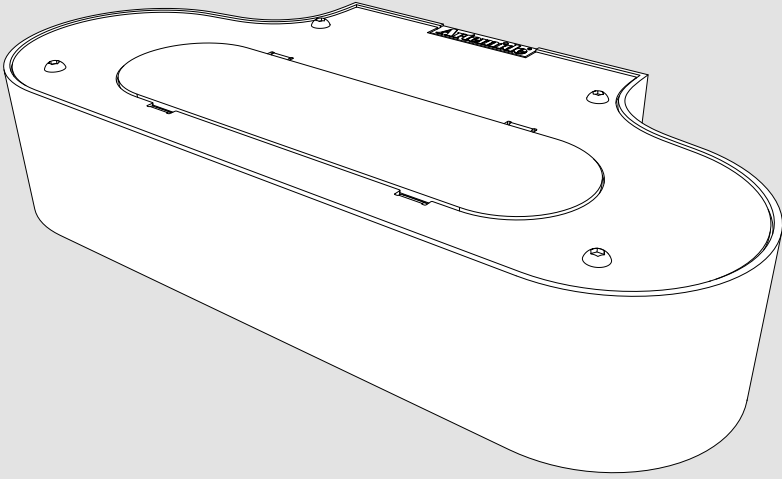


12

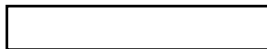


13





Artemide®



Artemide

via Bergamo, 18
20006 Pregnana M.se (MI)
ITALIA

tel. +39 02 935 181
fax +39 02 935 90 254
fax +39 02 935 90 496

www.artemide.com

VAT IT00846890150

cod. Y513000378C