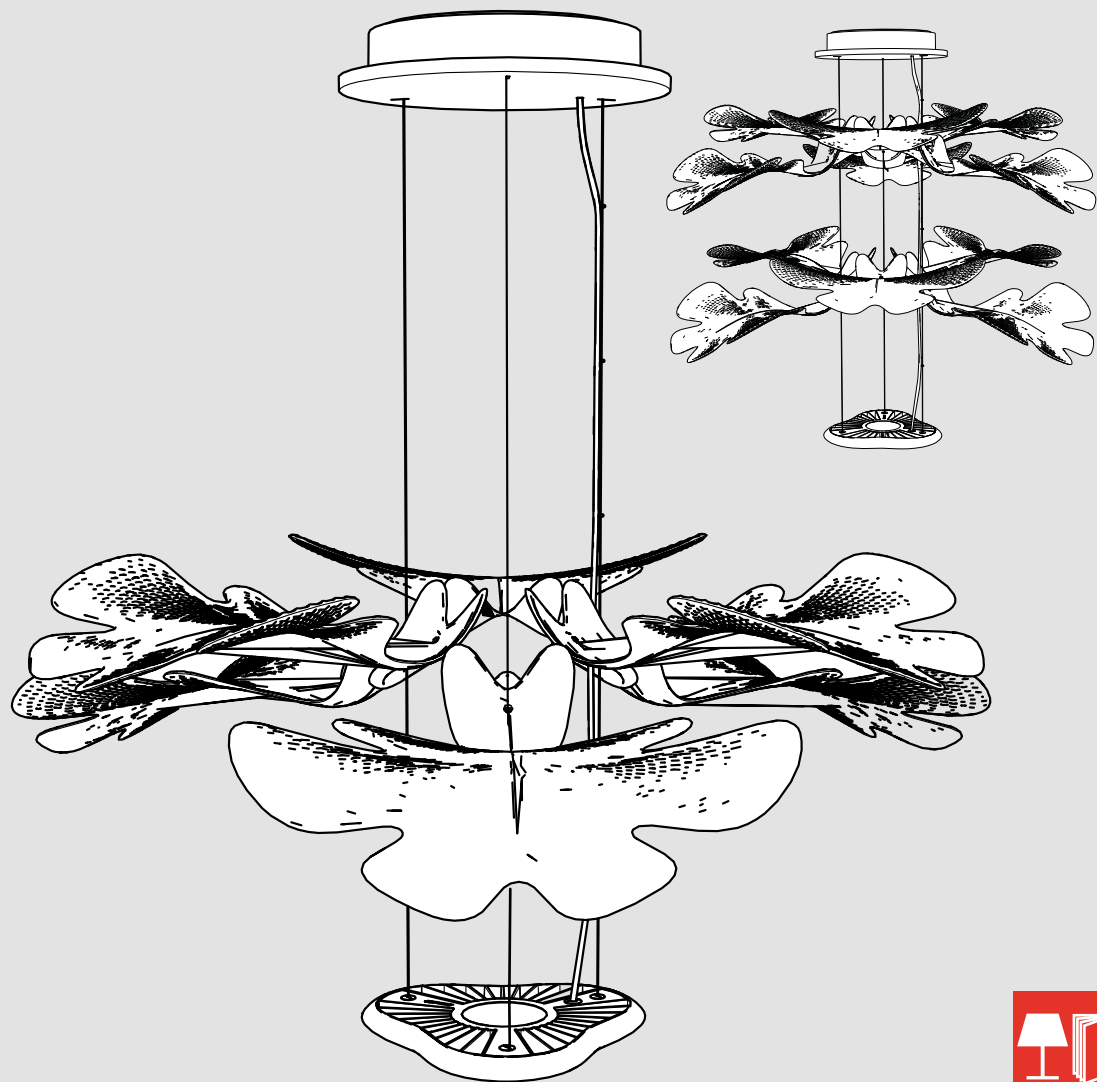


Artemide®

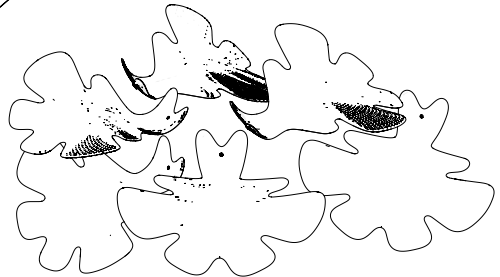
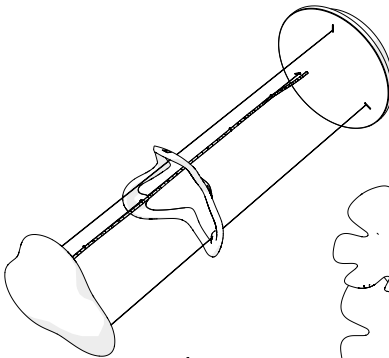
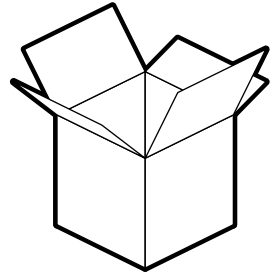
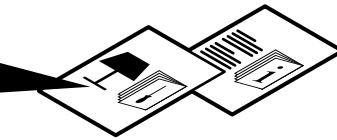
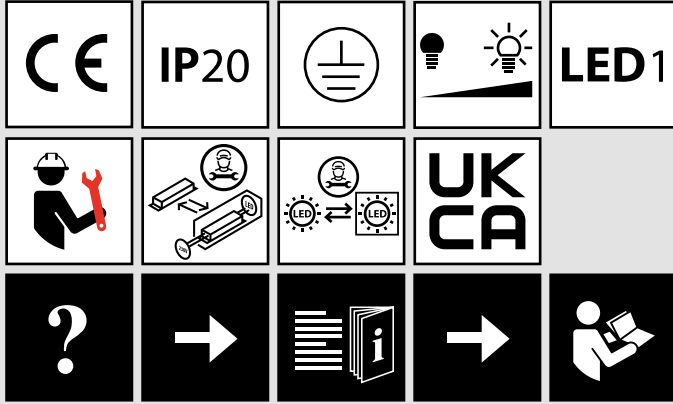
Chlorophilia / Chlorophilia 2

design
R. Lovegrove

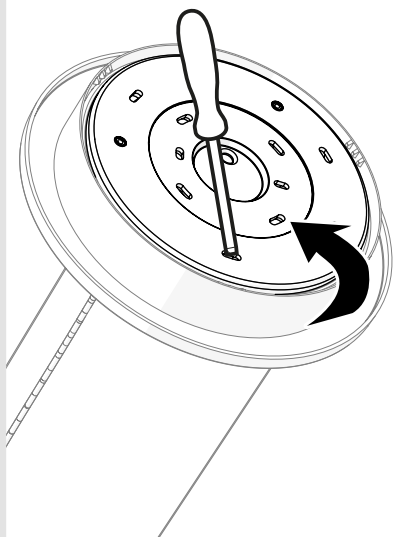




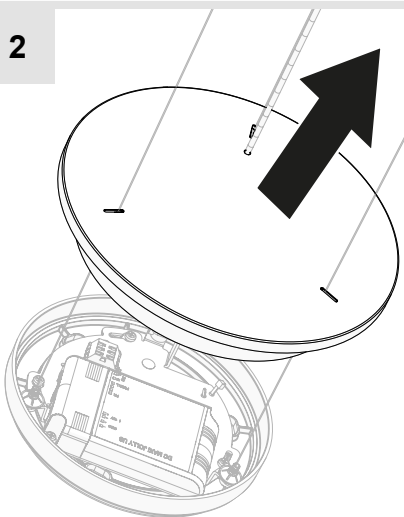
i



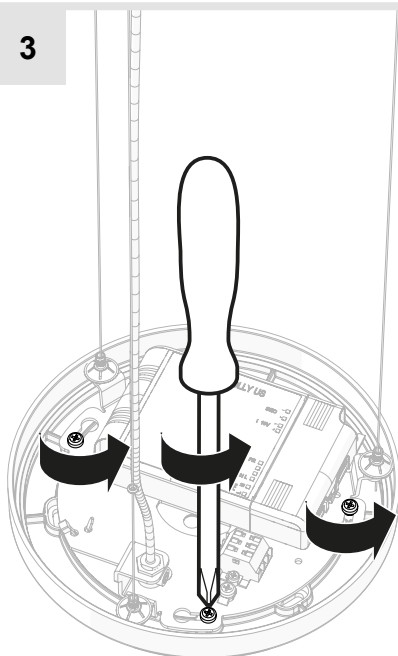
1



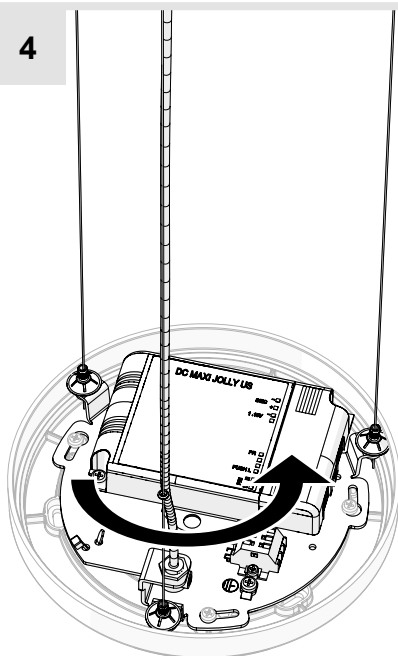
2

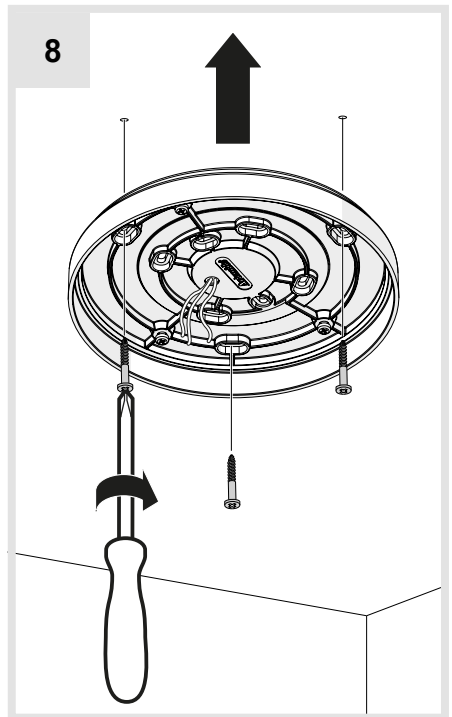
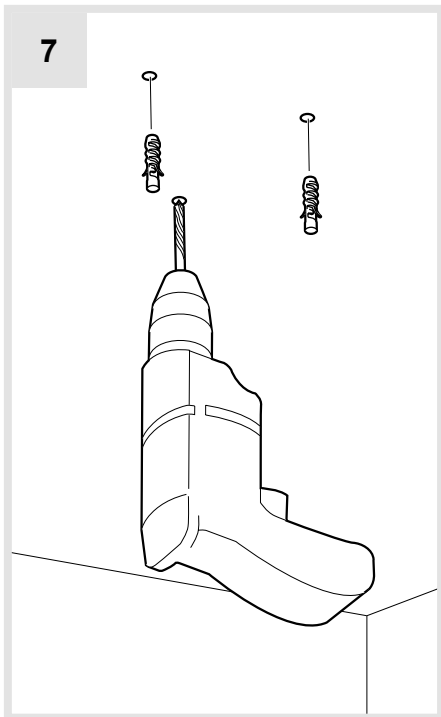
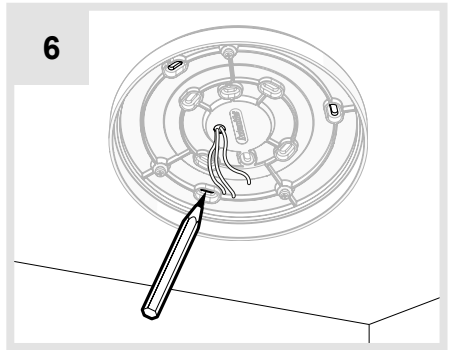
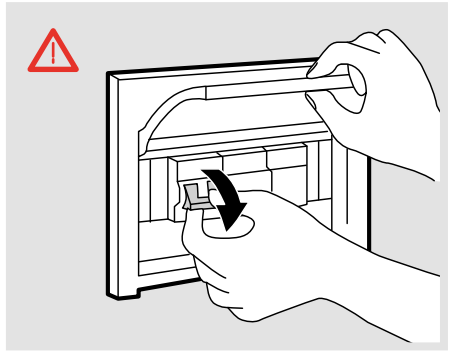
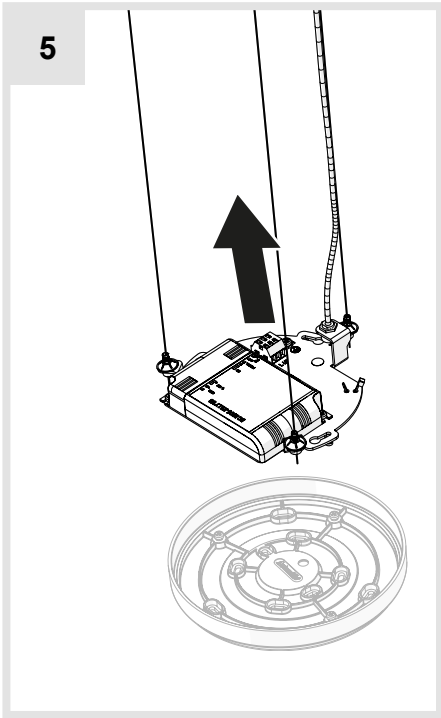


3



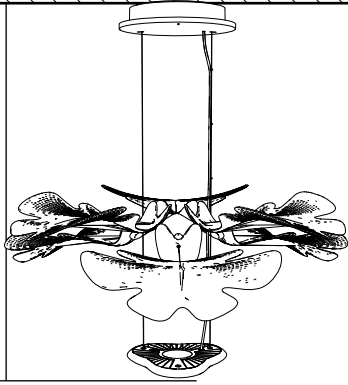
4





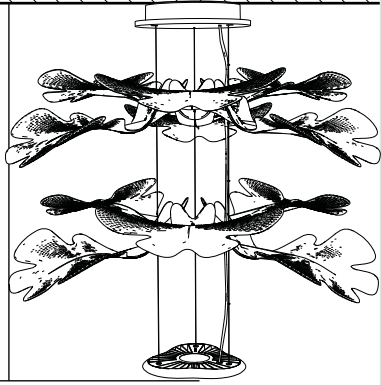
i

min 50 cm
max 150 cm

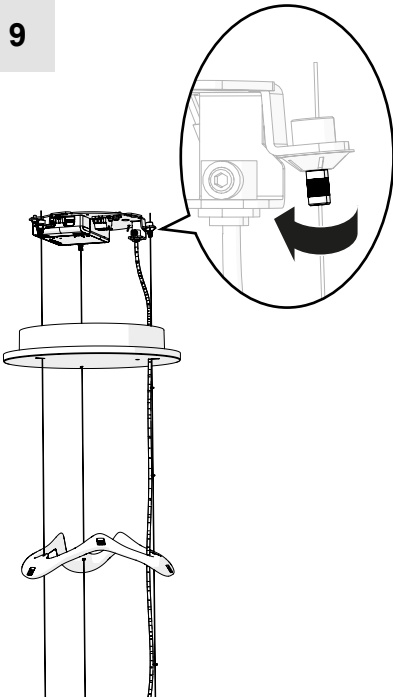


i

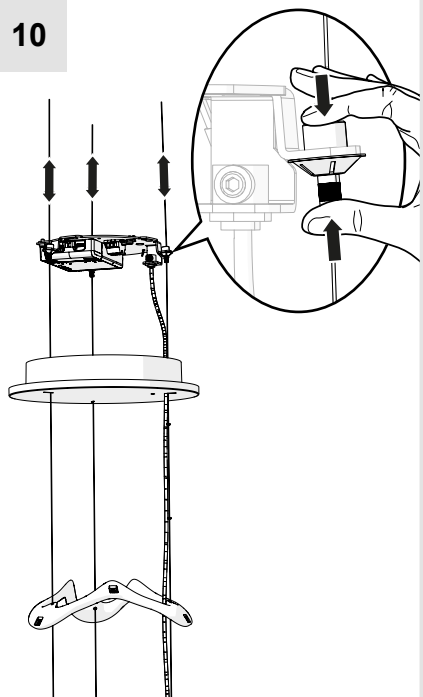
min 80 cm
max 150 cm



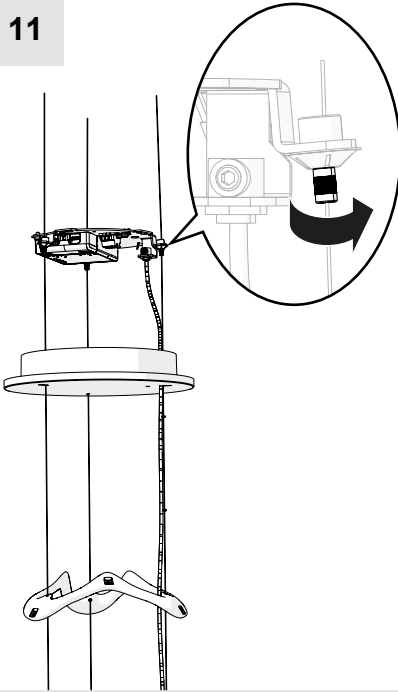
9



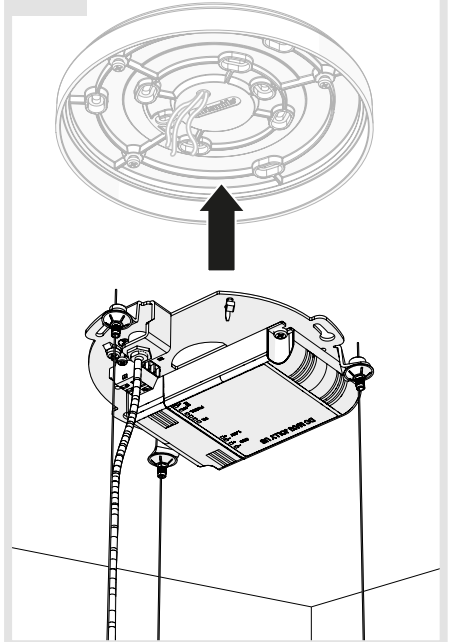
10



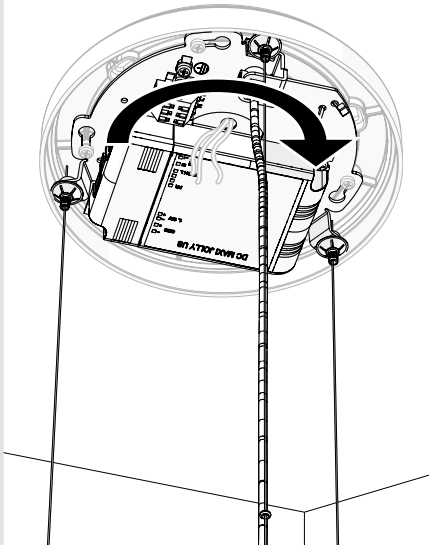
11



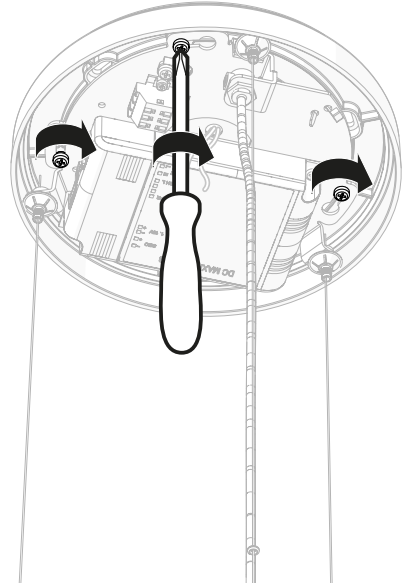
12



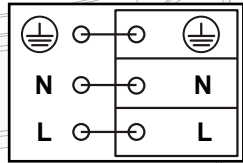
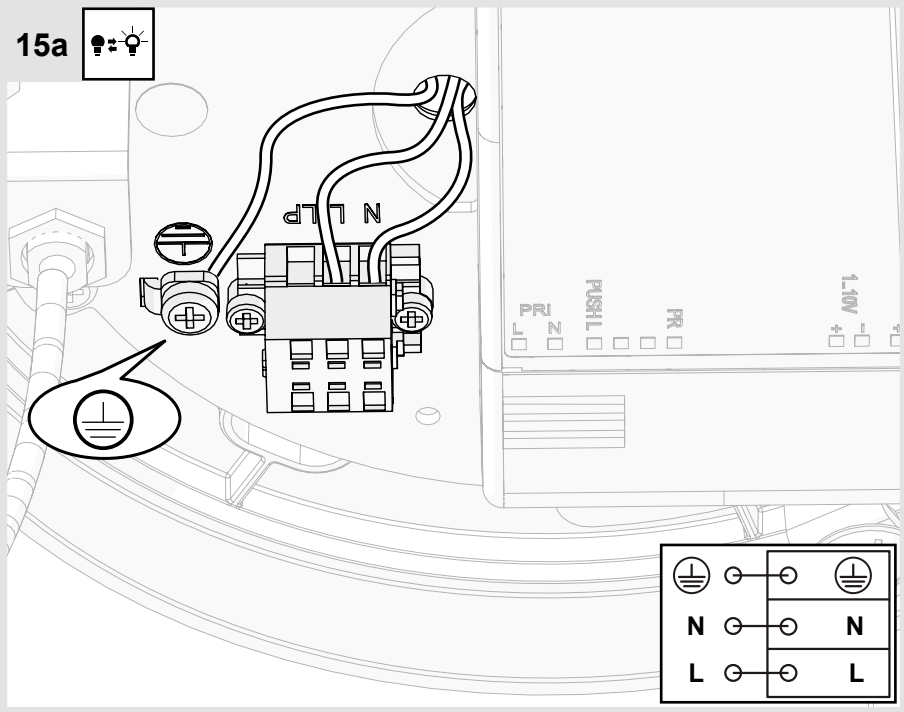
13



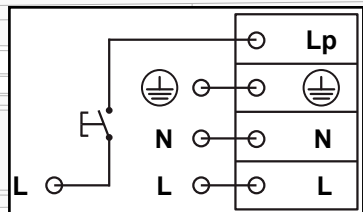
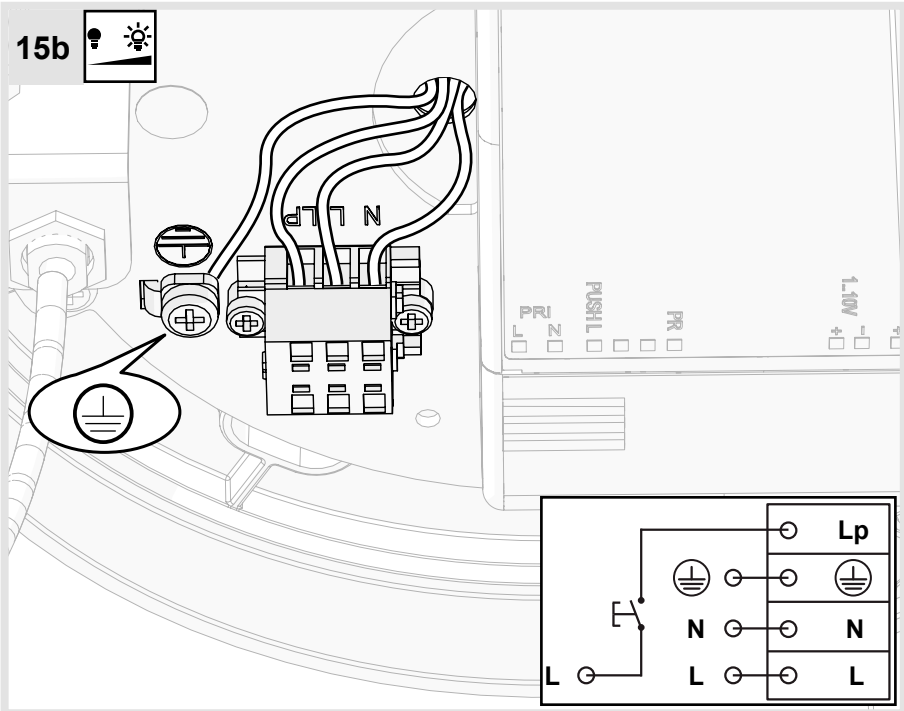
14



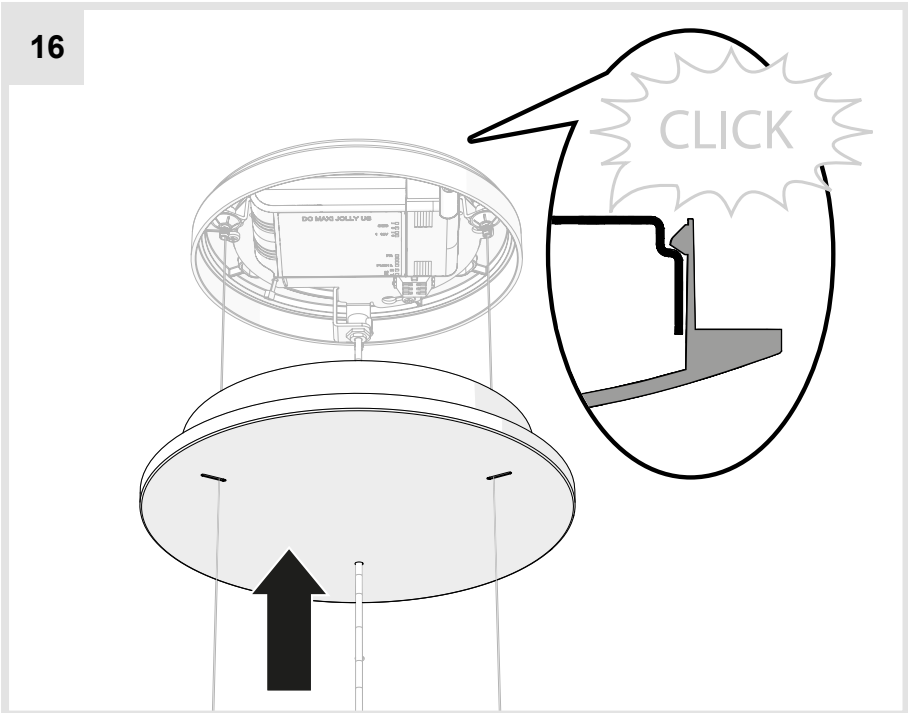
15a



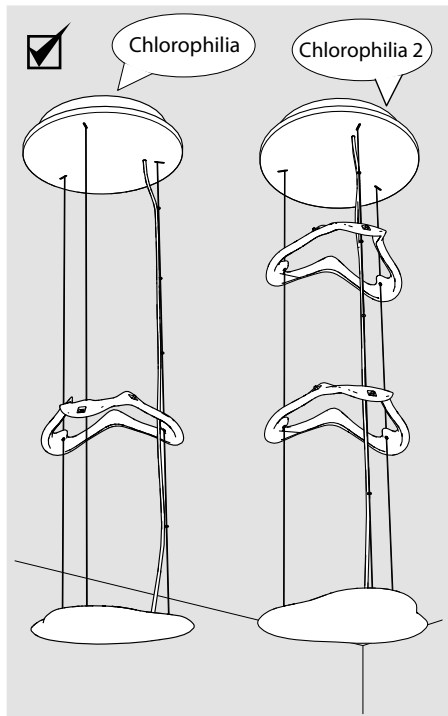
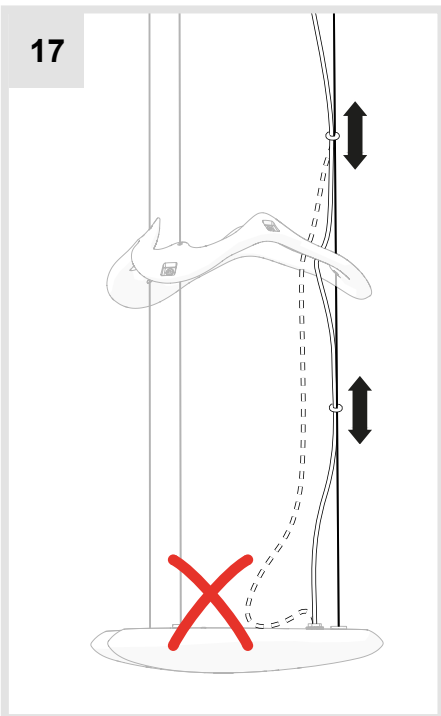
15b



16



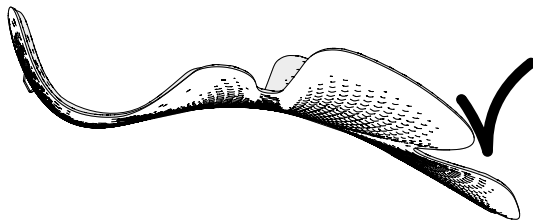
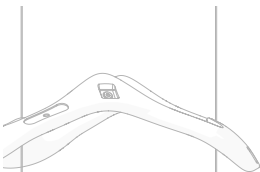
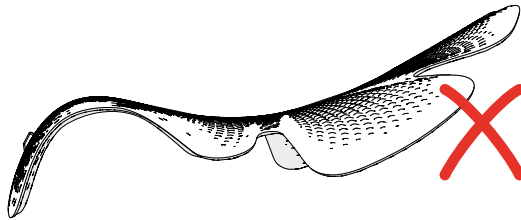
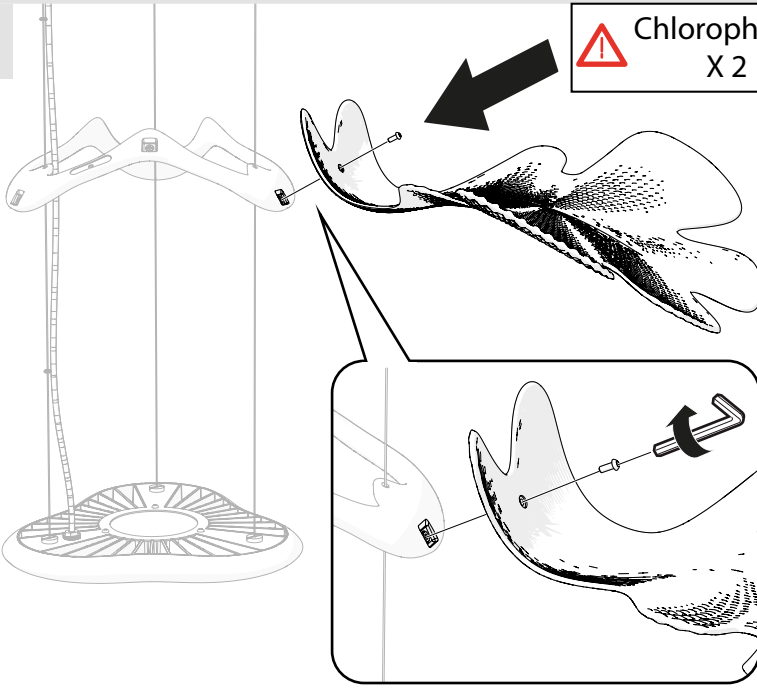
17



18



Chlorophyllia 2
X 2

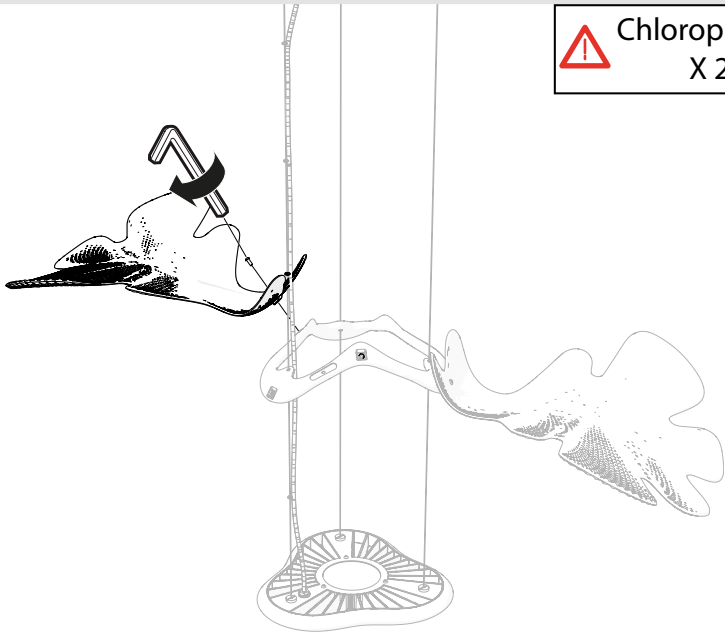


19



Chlorophilia 2

X 2

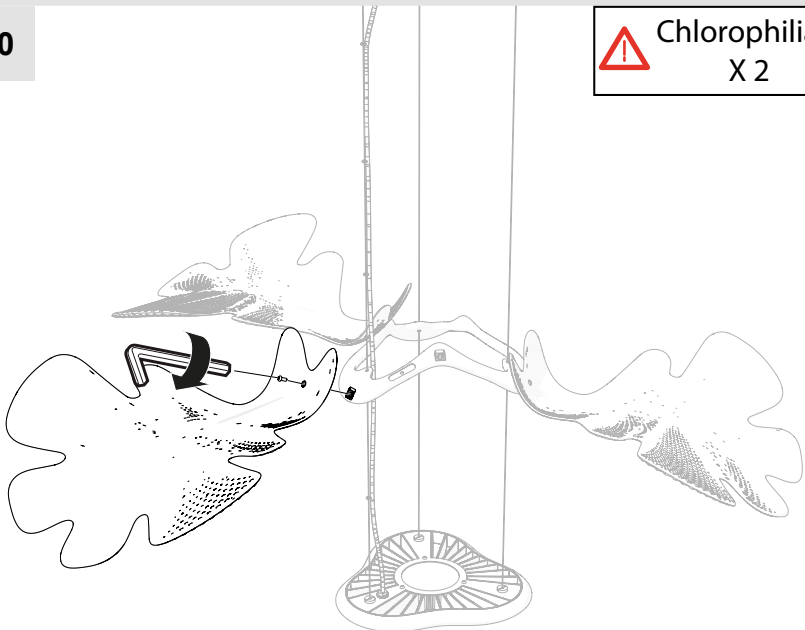


20



Chlorophilia 2

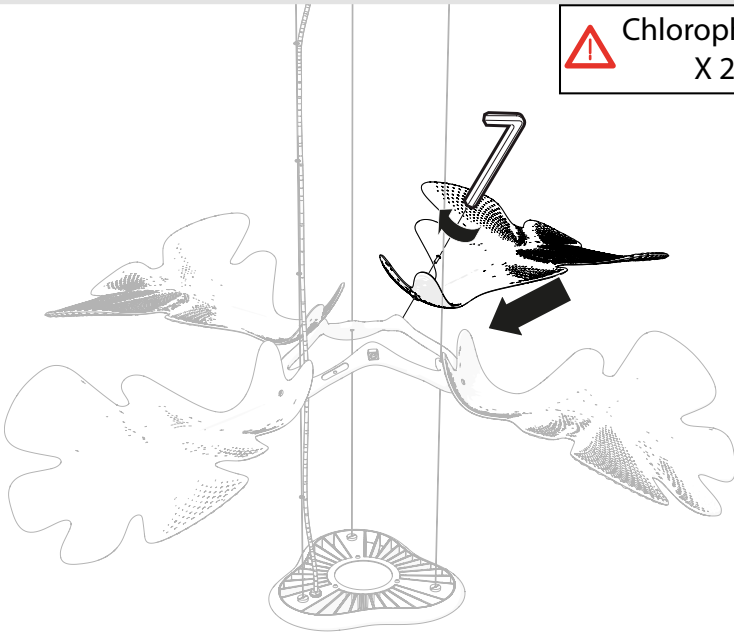
X 2



21



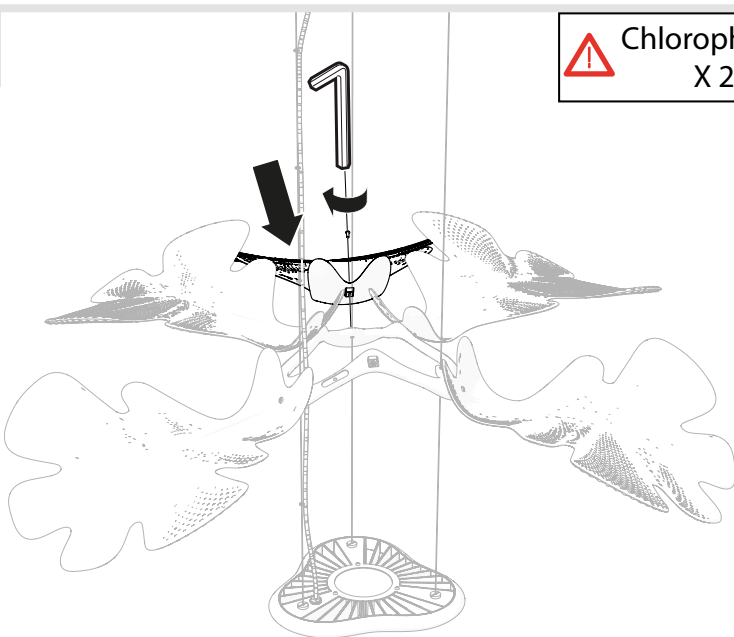
Chlorophilia 2
X 2

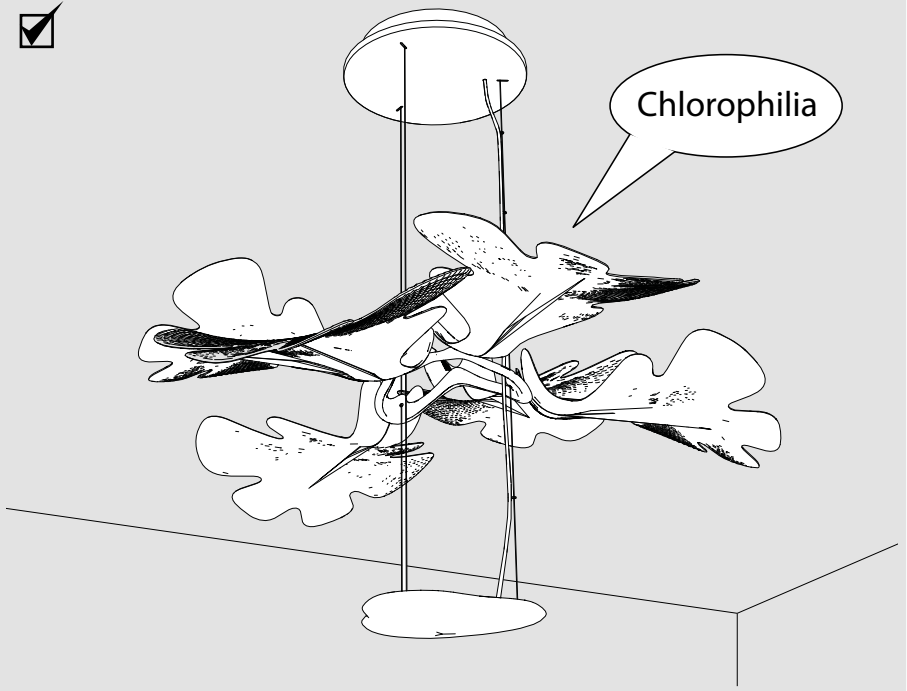
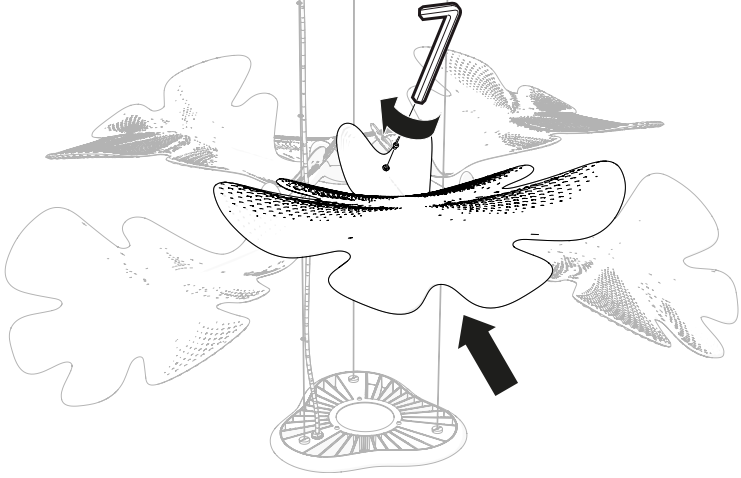


22



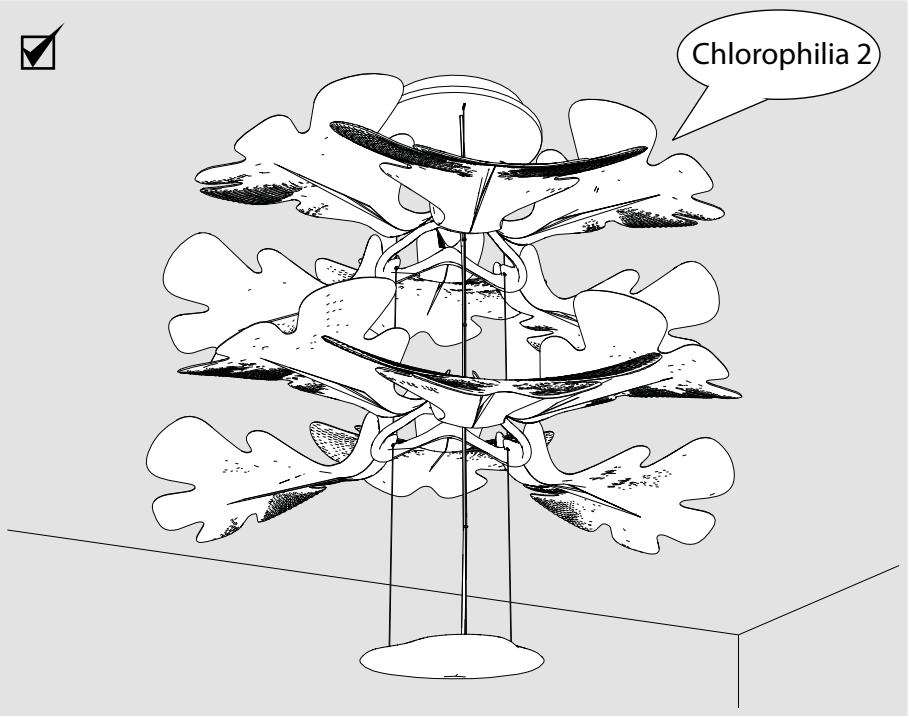
Chlorophilia 2
X 2



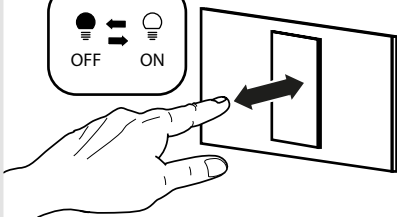
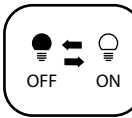
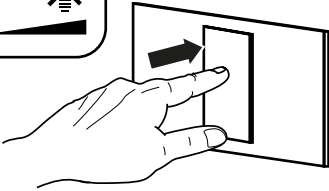


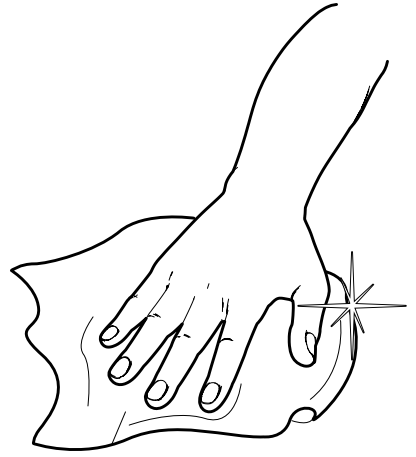
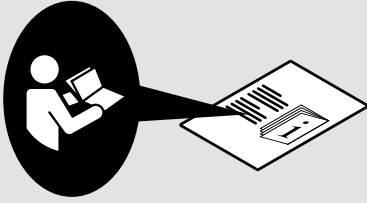


Chlorophilia 2

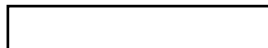


i





Artemide®



Artemide

via Bergamo, 18
20006 Pregnana M.se (MI)
ITALIA

tel. +39 02 935 181
fax +39 02 935 90 254
fax +39 02 935 90 496

www.artemide.com

VAT IT00846890150

cod. Y513000411C