

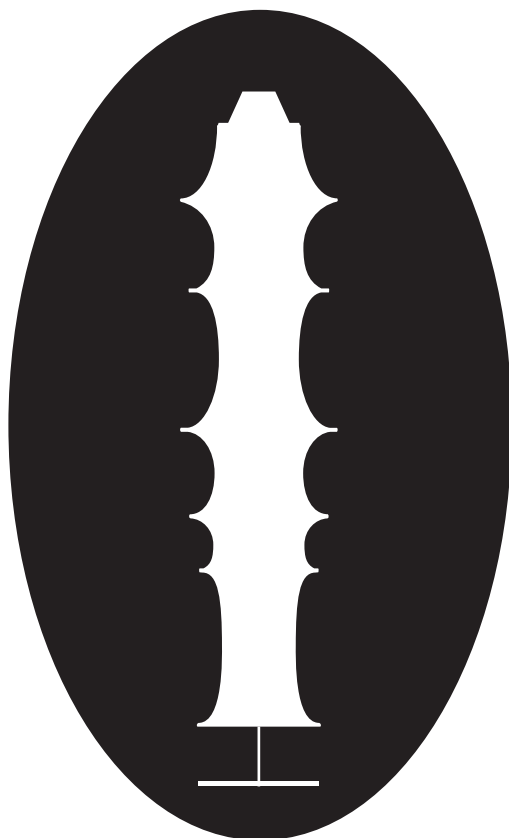
FALKLAND F

floor

Bruno Munari | 2003

DANESE

MILANO



MADE IN ITALY



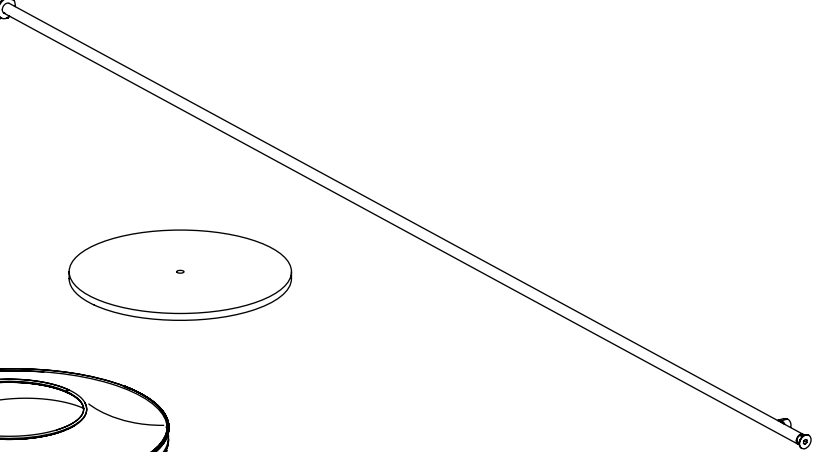
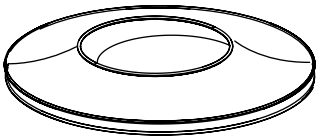
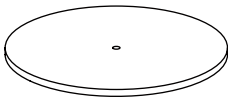
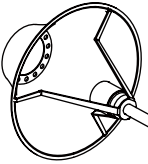
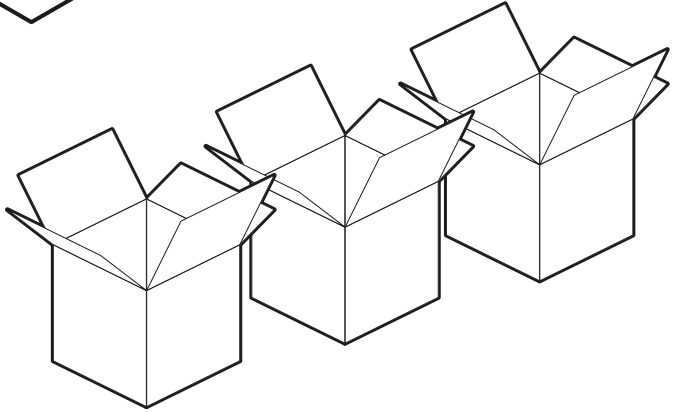
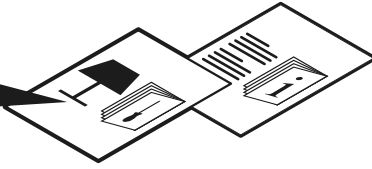


Fig. 1

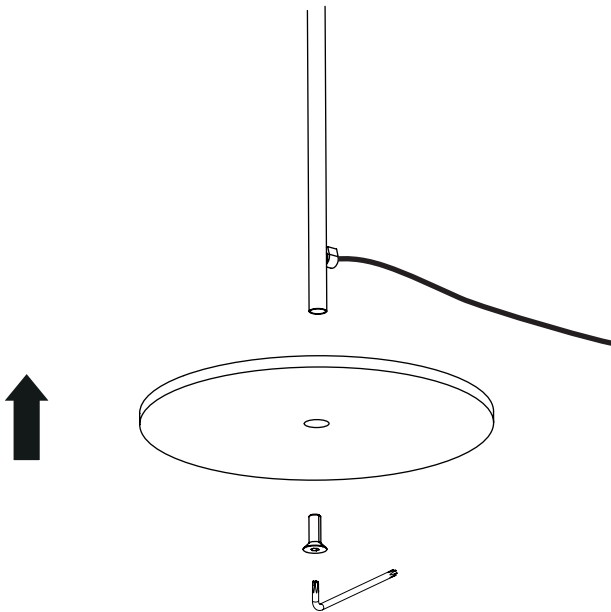
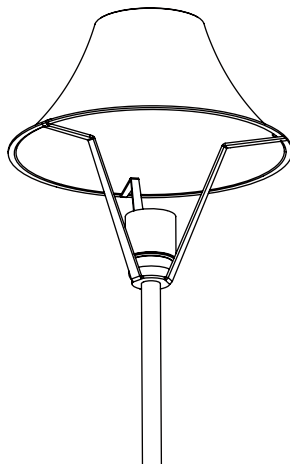


Fig. 2



220 - 240 V / 50 - 60 Hz	
MAX 77W (E27)	
Halo: HSGSA	1300 lm
LED: DRAA	1000 lm
120 V / 60 Hz	
max 60W TYPE A E26	

Fig. 3

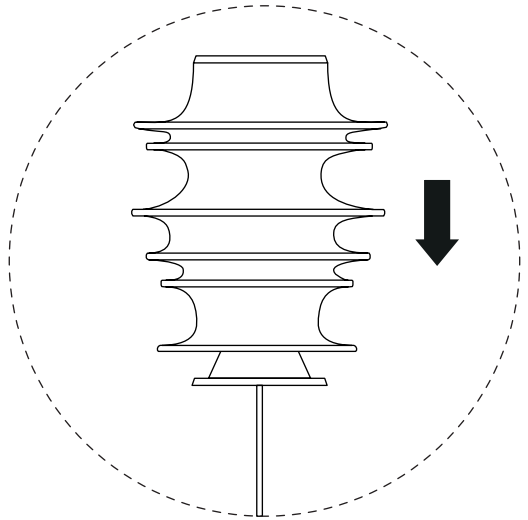
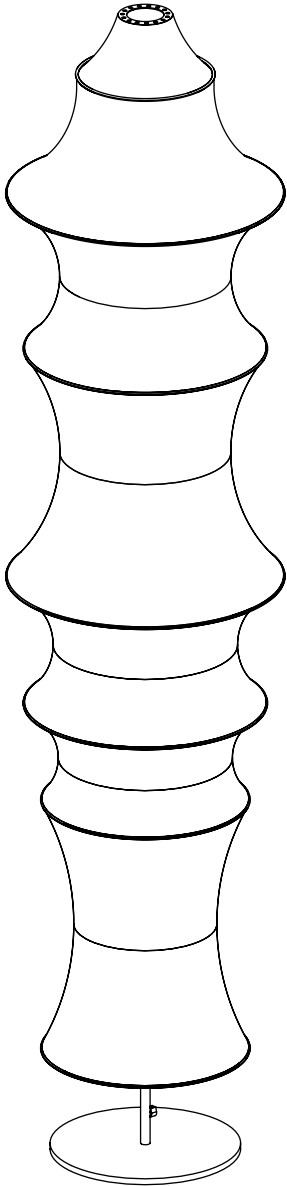
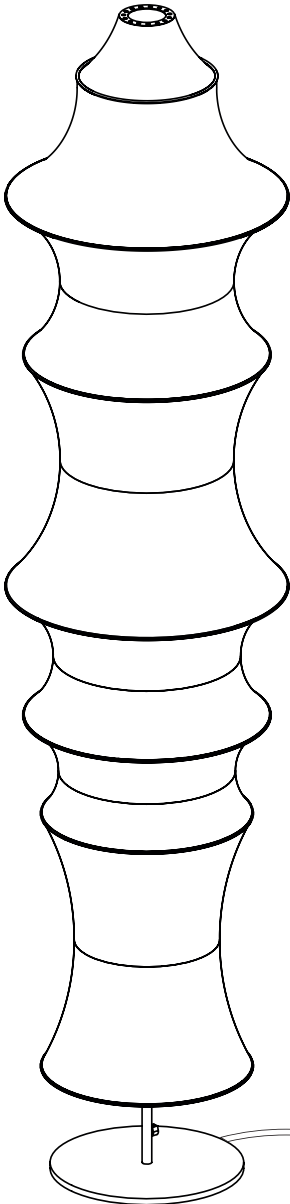
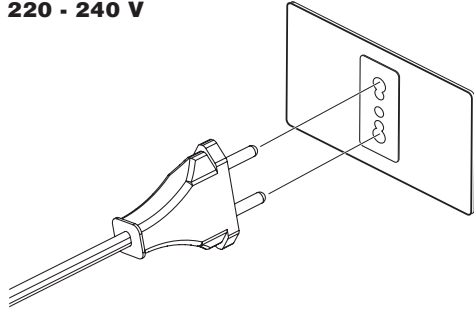




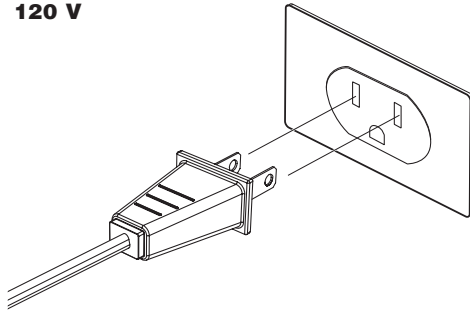
Fig. 4



220 - 240 V



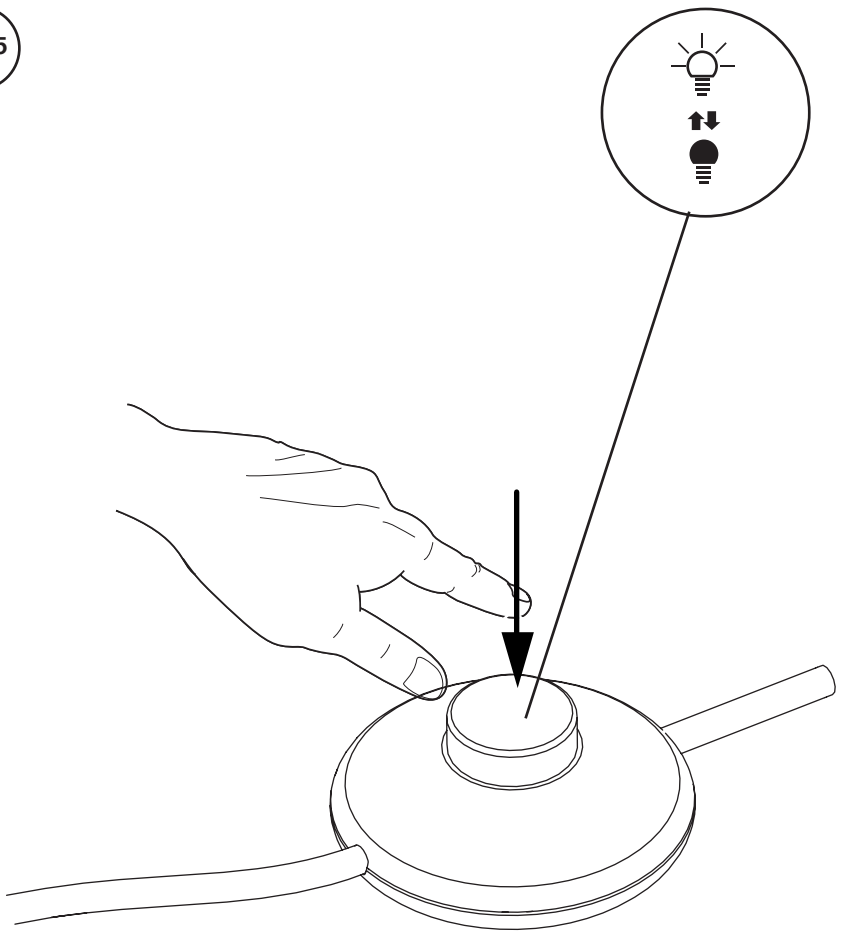
120 V

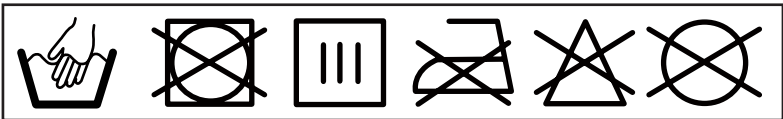
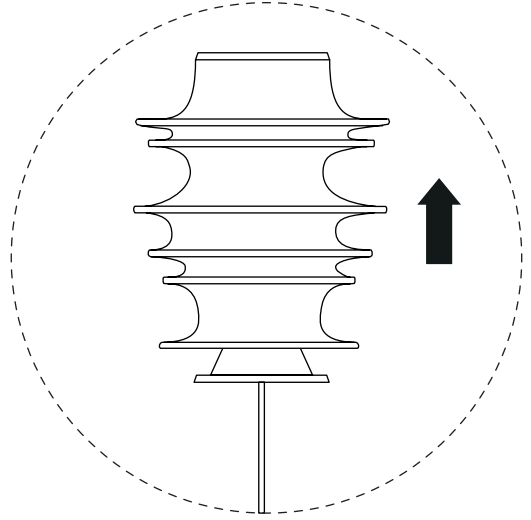
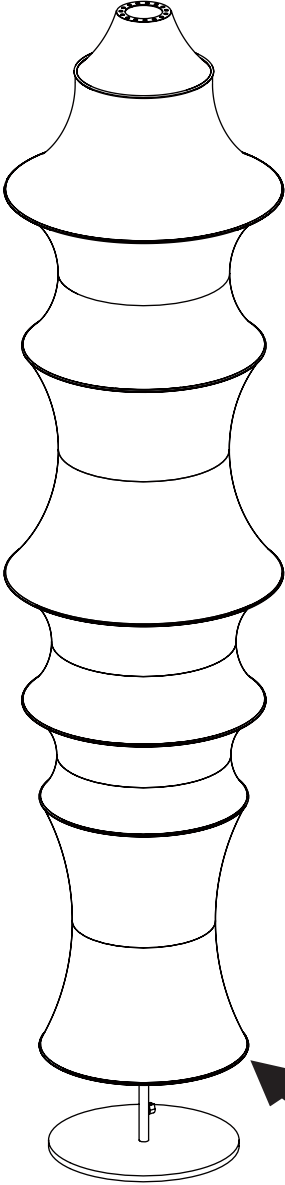


请不要在水平角度大于 6° 的平面上使用本设备。



Fig. 5





DANESE

VIA ANTONIO CANOVA 34

20145 MILANO

T. +39.02.349611

F. +39.02.34538211

info@danese milano.com

www.danese milano.com

SHOWROOM

PIAZZA SAN NAZARO IN BROLO 15

20122 MILANO

T. +39.02.58304150

F. +39.02.58433350

showroomdanese@artemide.com

DANESE



MILANO | Artemide®

VIA BERGAMO 18

20006 PREGNANA MILANESE (MI) ITALY

T. +39.02.935181 - 935261

Numero Verde 800 834 093 (from Italy only)

© NOVEMBER 2023 DANESE

DANESE reserves the right to change, at any time and without prior warning, the technical specification of any product illustrated in this instruction.

cod. Y513000625A

Artemide Inc.

250 Karin Lane

Hicksville, NY 11801

T. 631 694 9292

toll free 1-877-Art-9111

fax 631 694 9275

www.artemide.net

Artemide Ltée/Ltd.

11105 rue Renaude Lapointe

Montréal, Québec H1J 2T4

T. 514 323 6537

toll free 888 777 2783

fax 514 323 8864

www.artemide.net