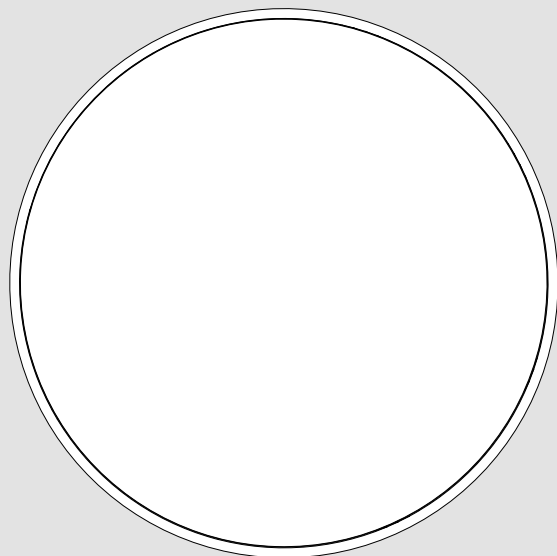


# Artemide®

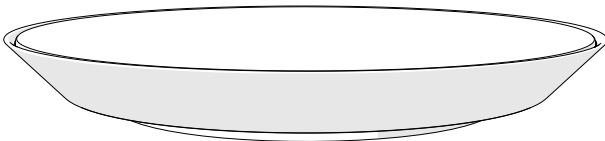
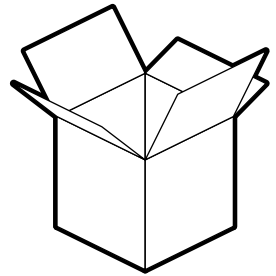
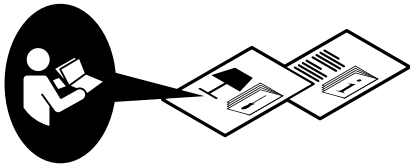
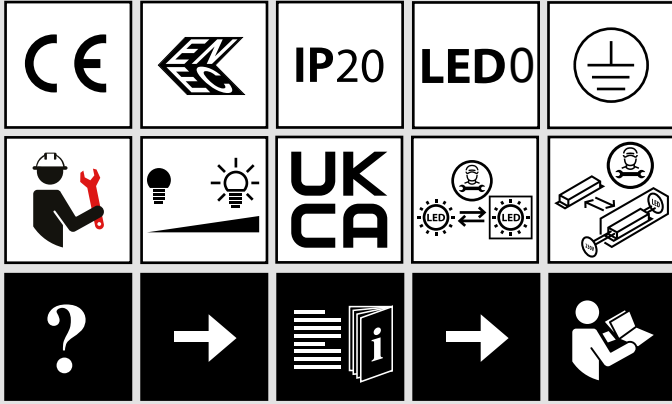
## Febe

design  
E. Gismondi - D. Moioli

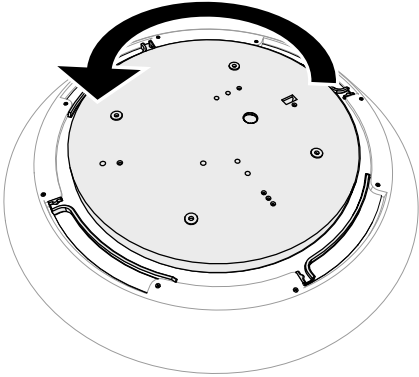




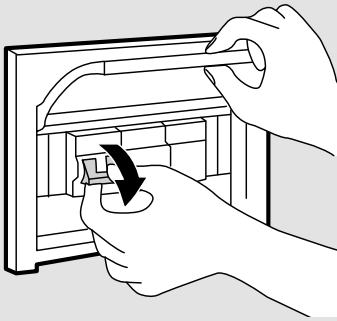
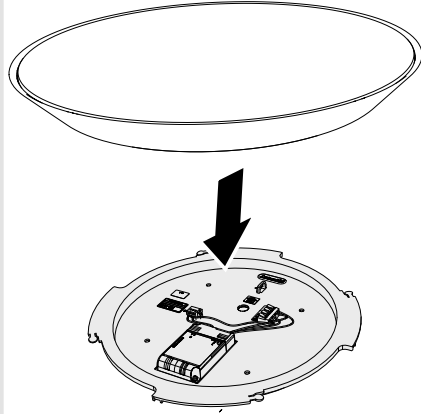
i



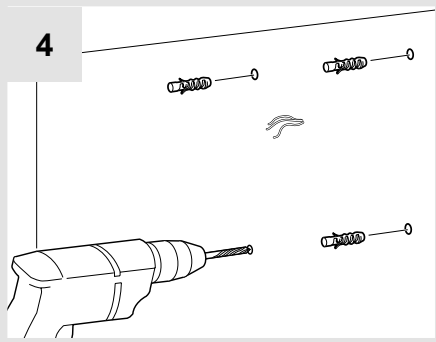
1



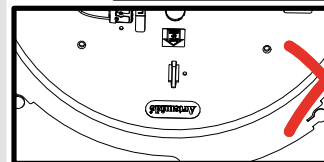
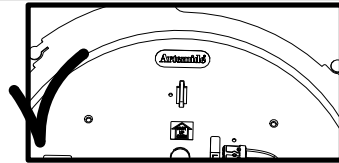
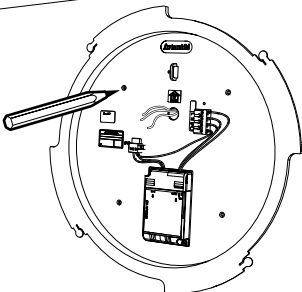
2



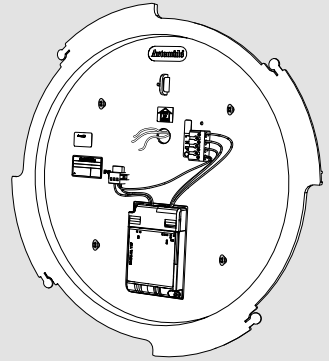
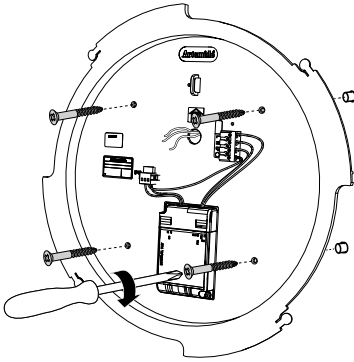
4



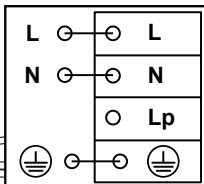
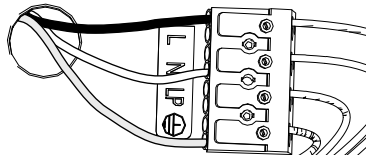
3



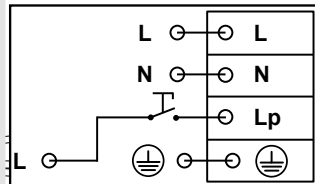
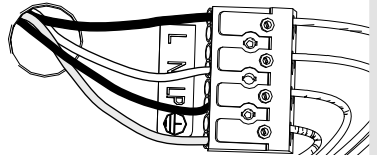
5



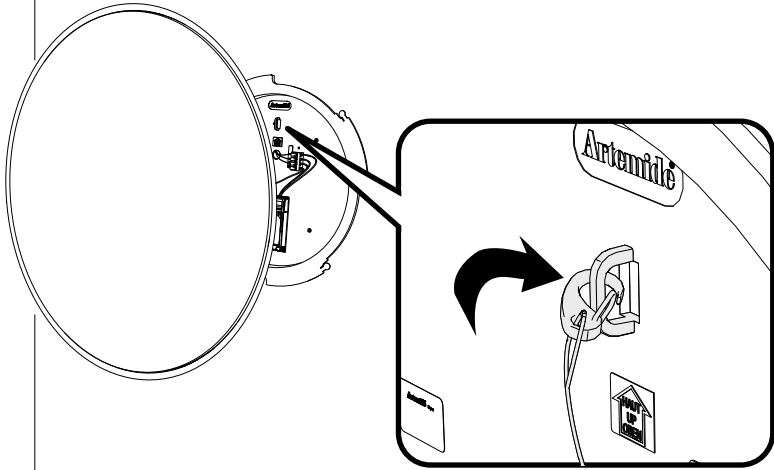
6a



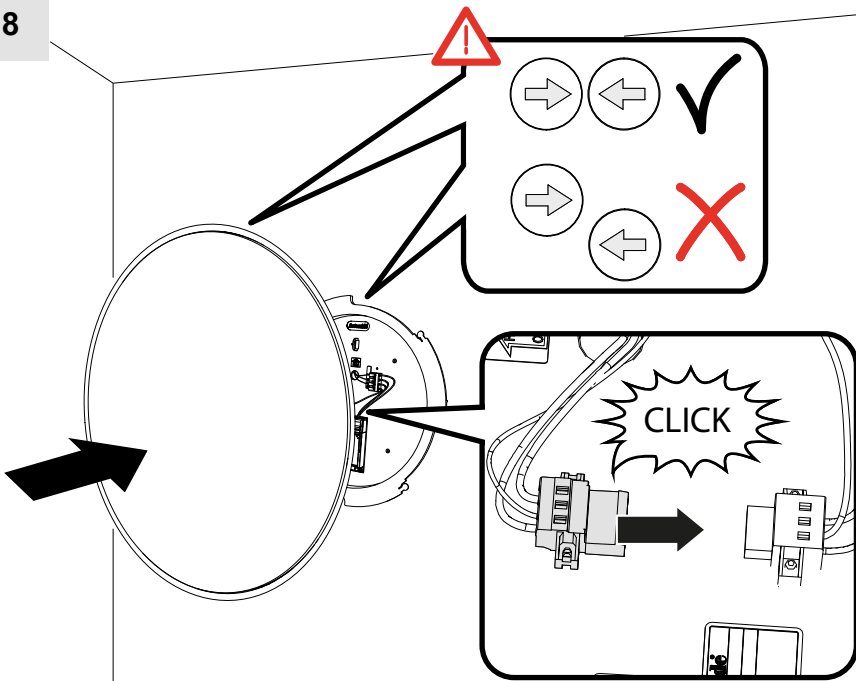
6b



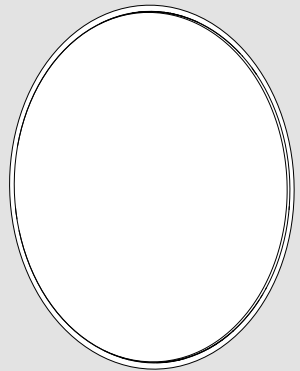
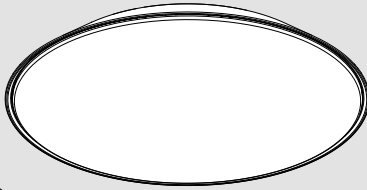
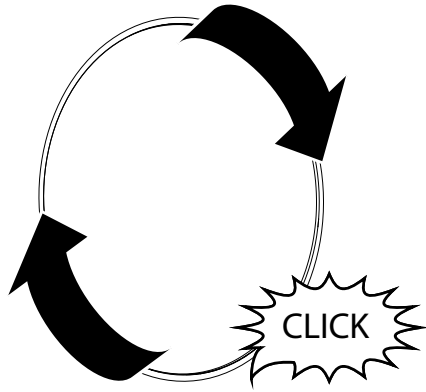
7

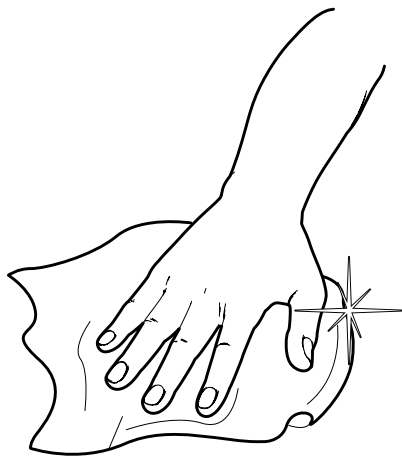
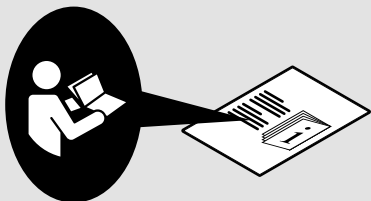


8

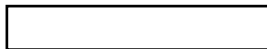


9





**Artemide®**



**Artemide**

via Bergamo, 18  
20006 Pregnana M.se (MI)  
ITALIA

tel. +39 02 935 181  
fax +39 02 935 90 254  
fax +39 02 935 90 496

[www.artemide.com](http://www.artemide.com)

VAT IT00846890150

cod. Y513000738B