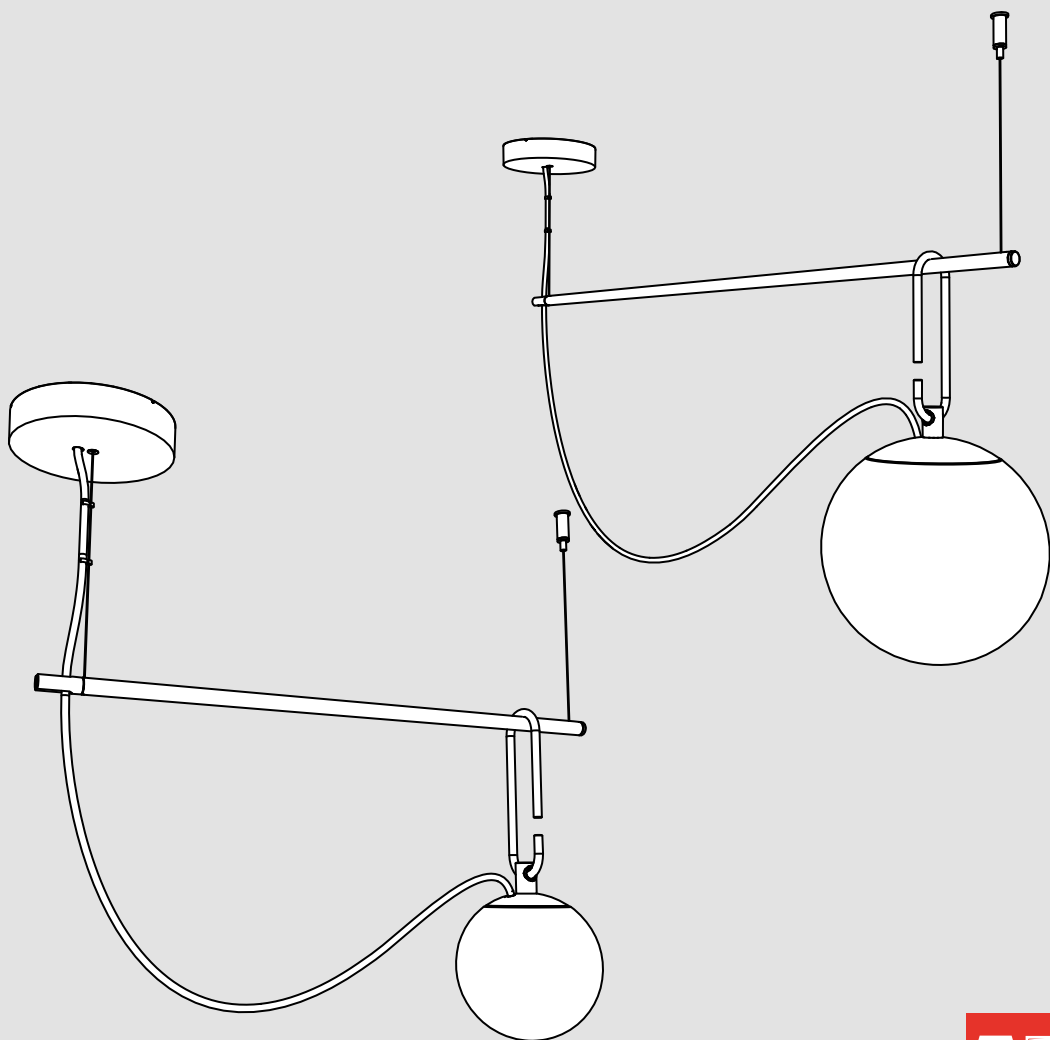


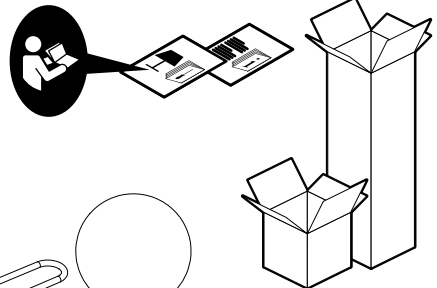
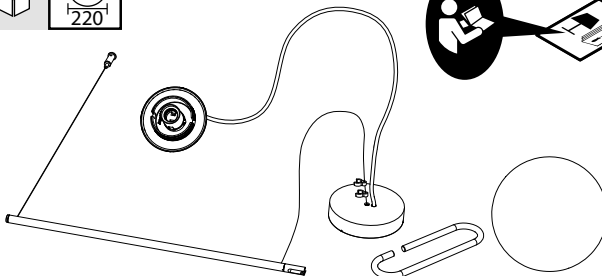
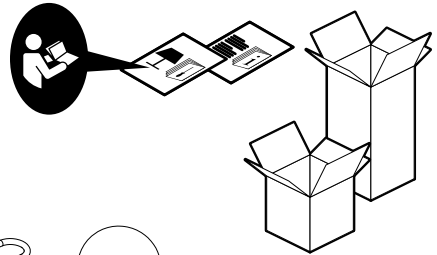
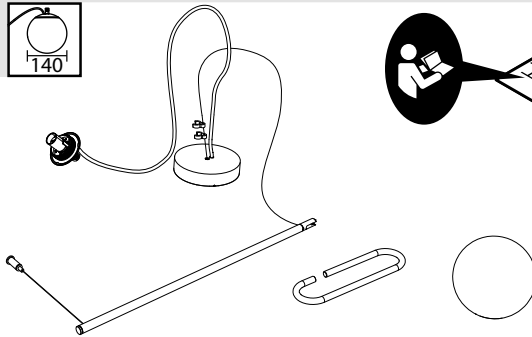
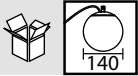
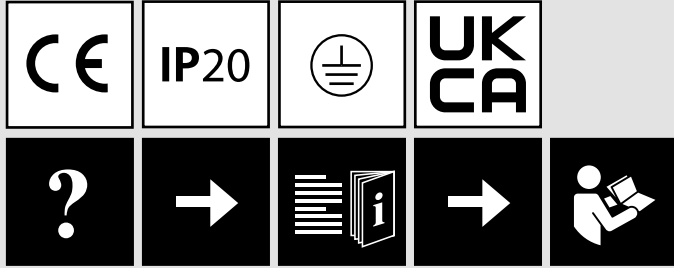
nh S1-S2

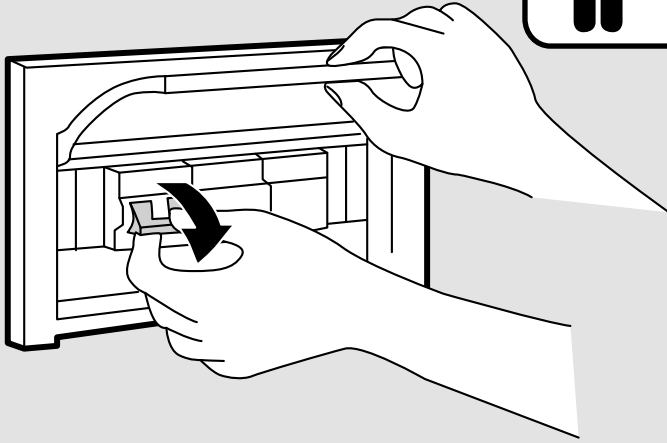
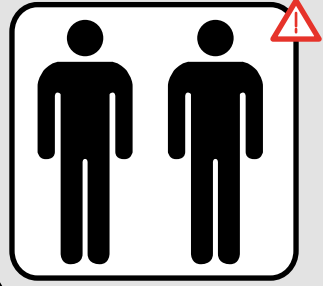
design
Neri & Hu



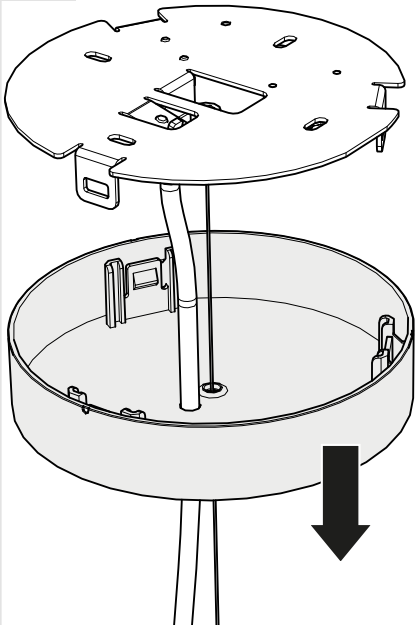


i





1



2

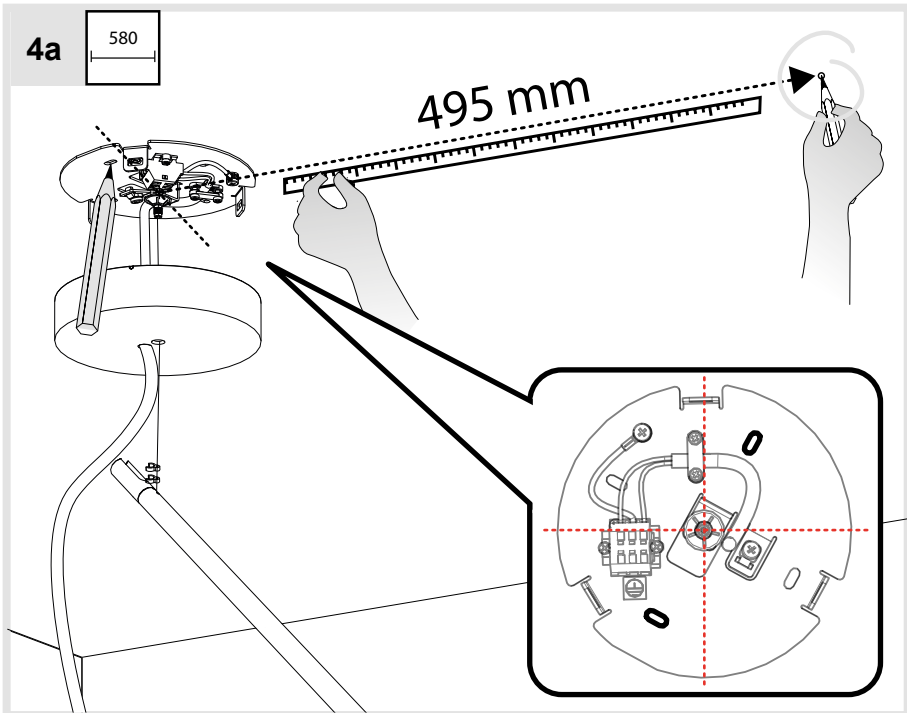


3



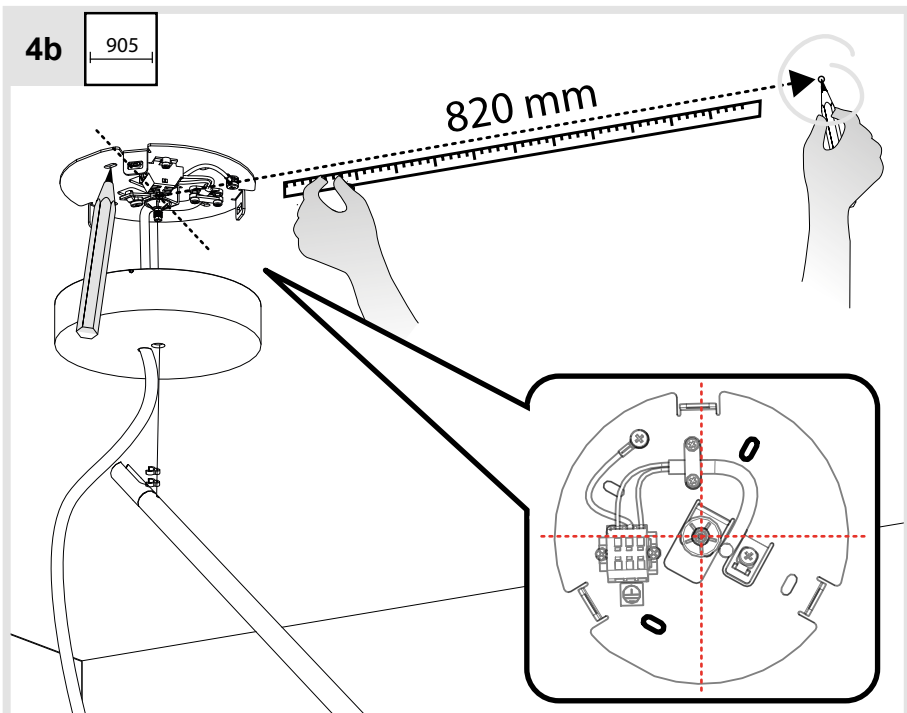
4a

580

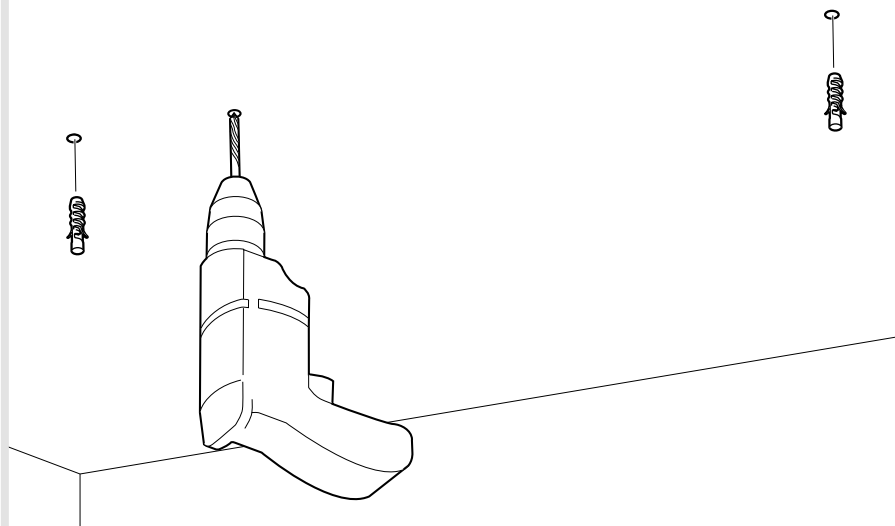


4b

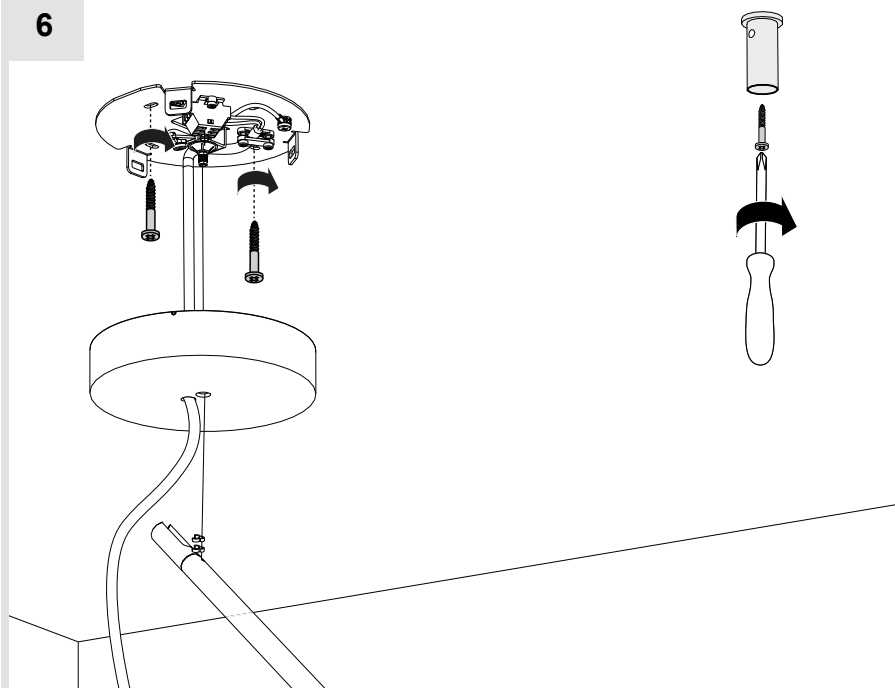
905



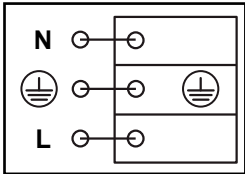
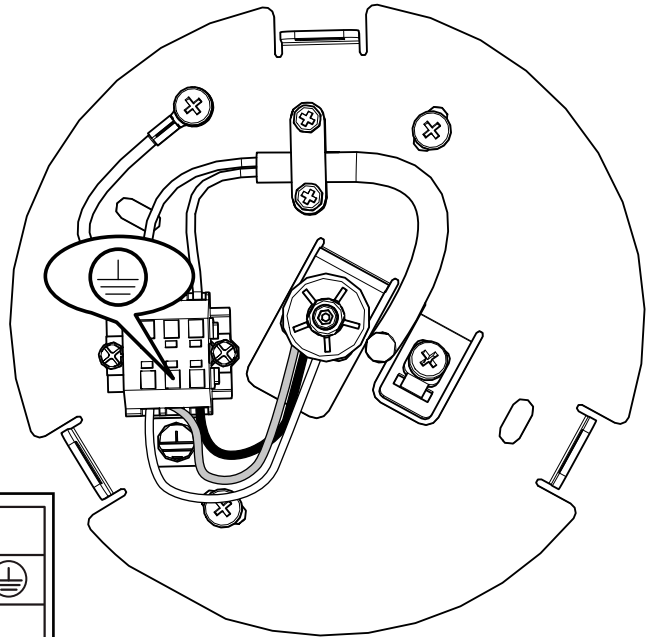
5



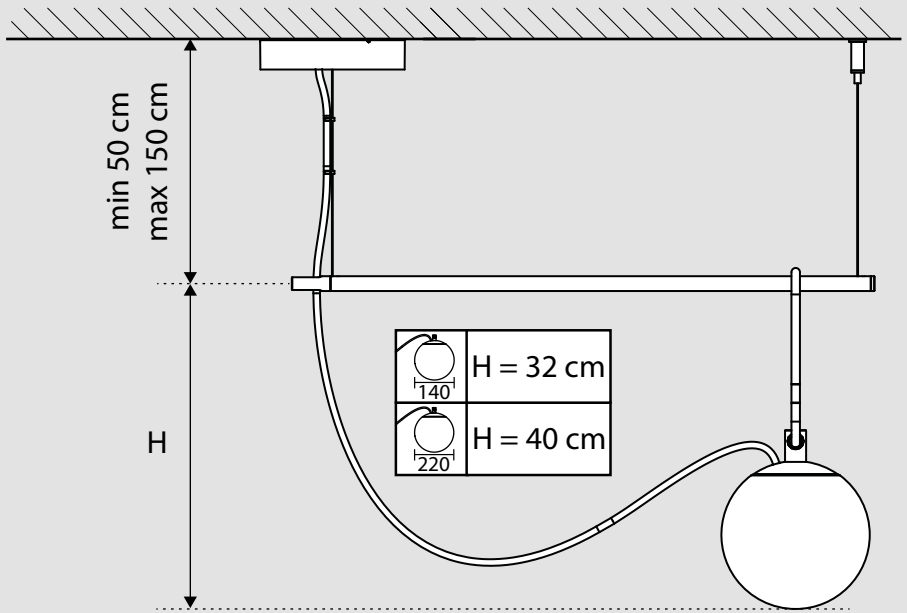
6

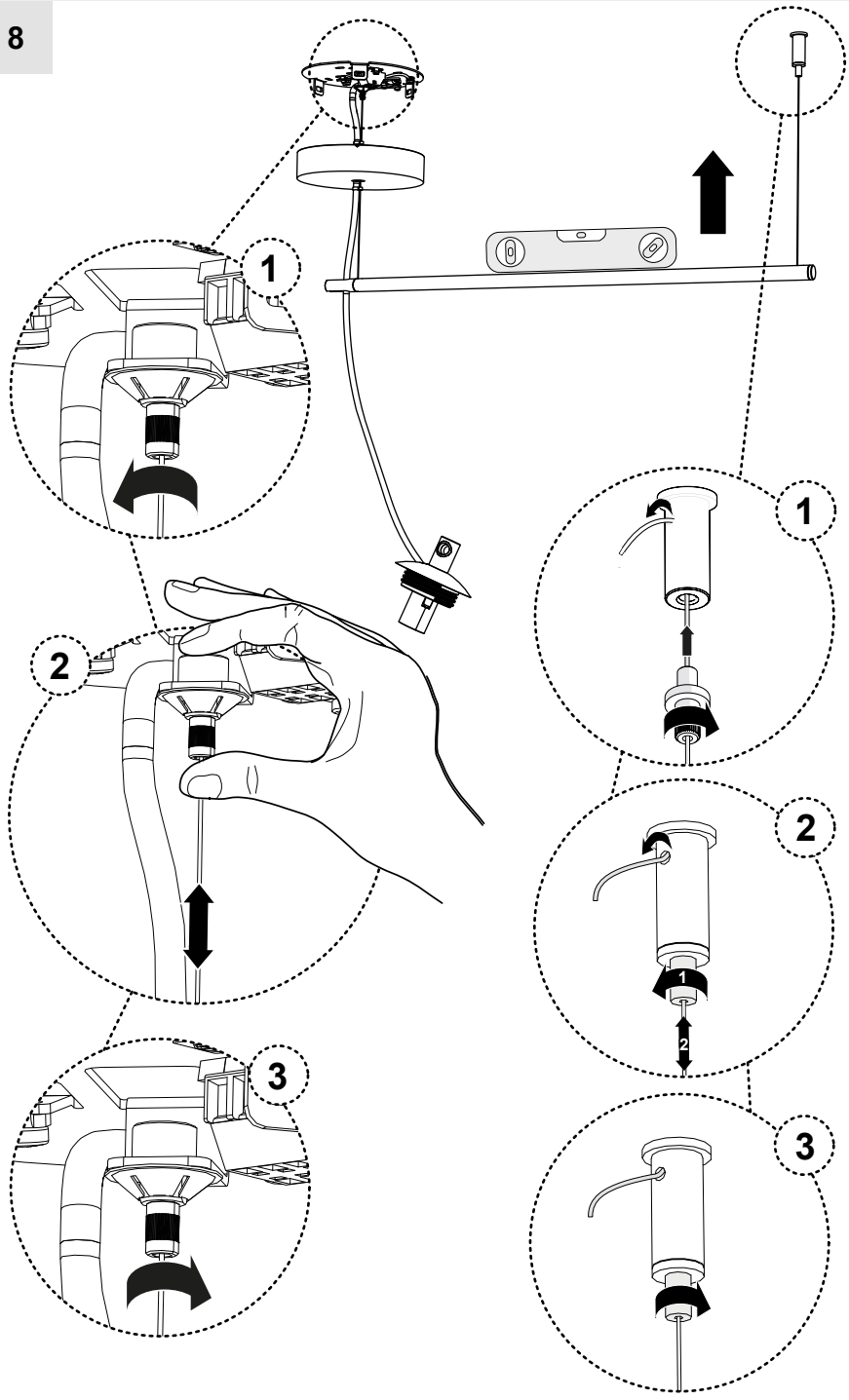


7

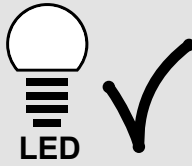
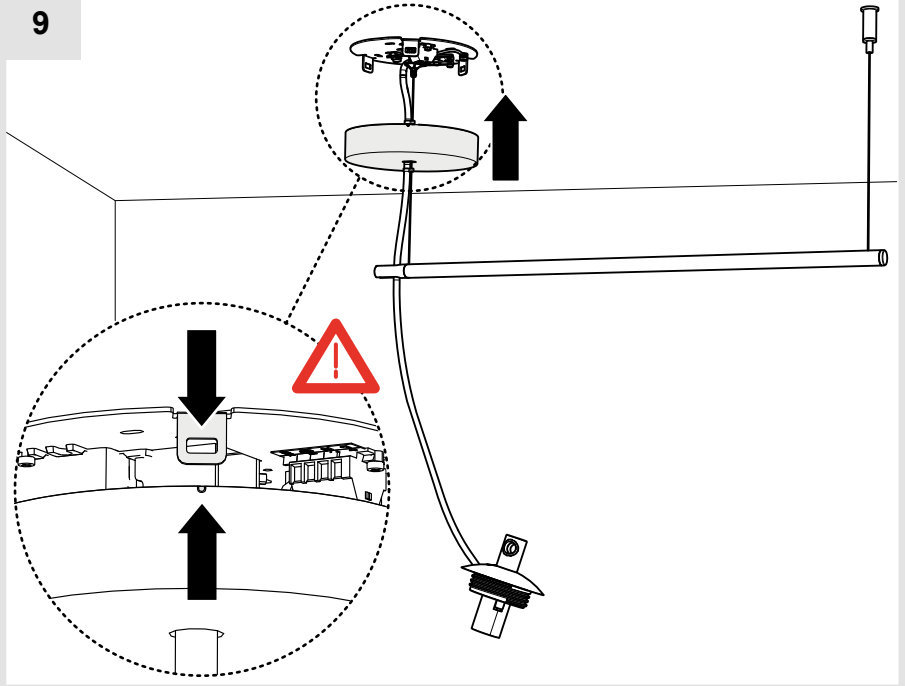


i





9



LED



HALO

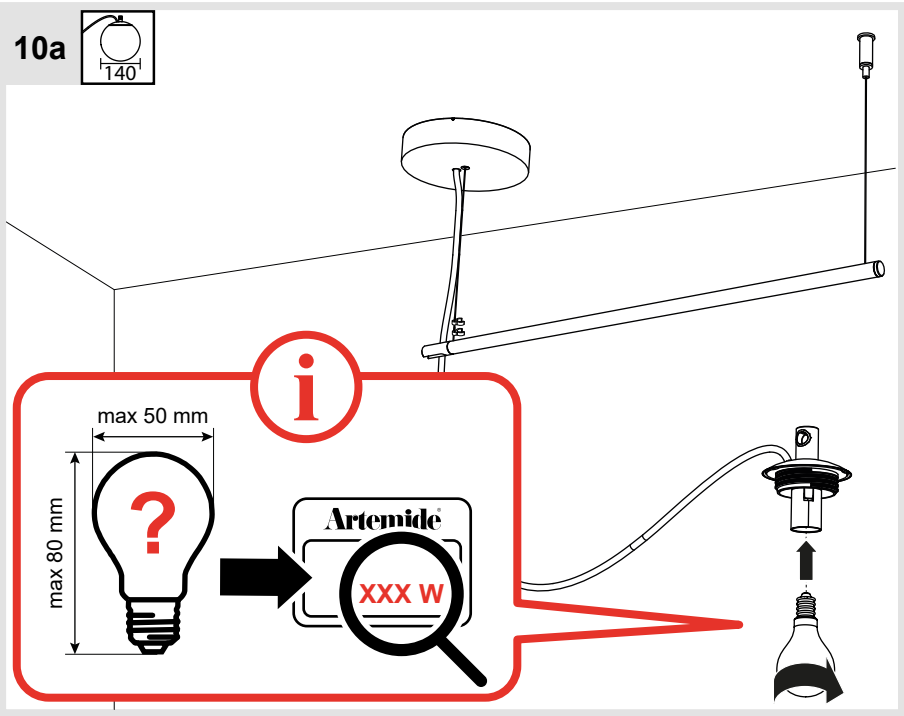


HALO

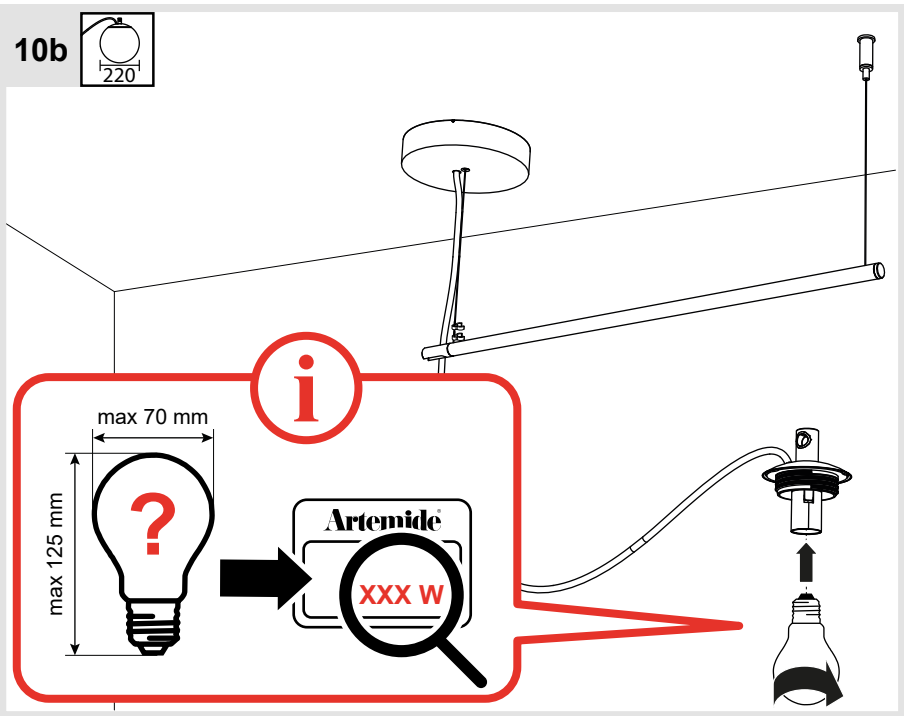


FLUO

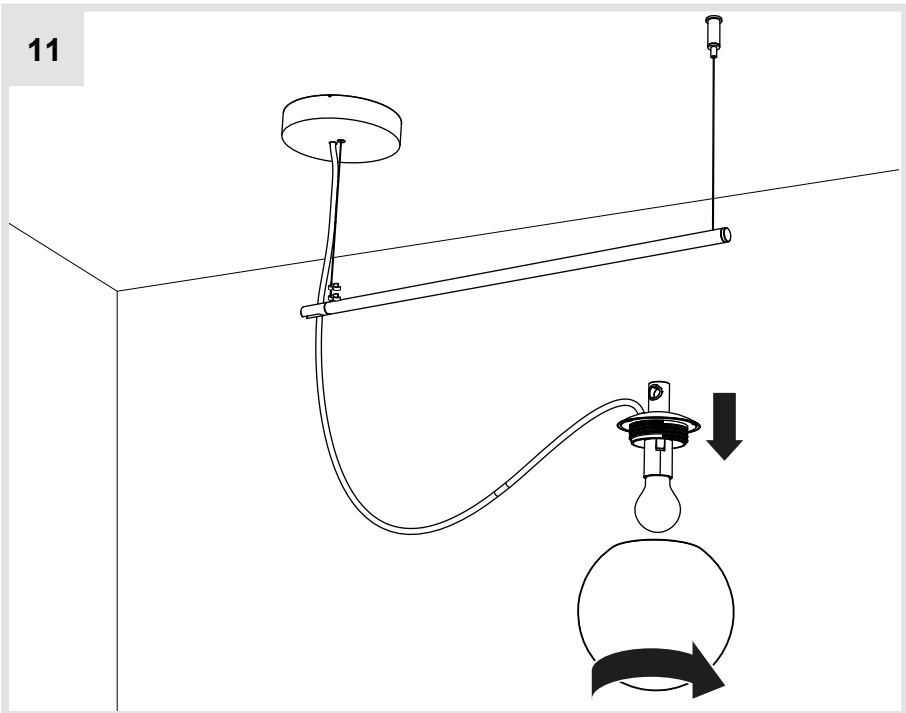
10a



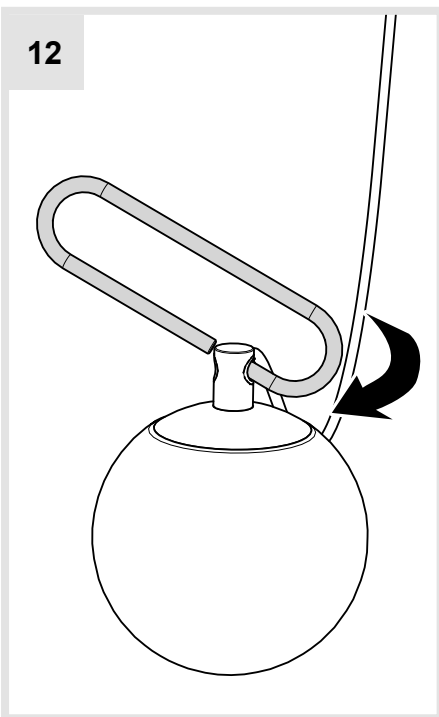
10b



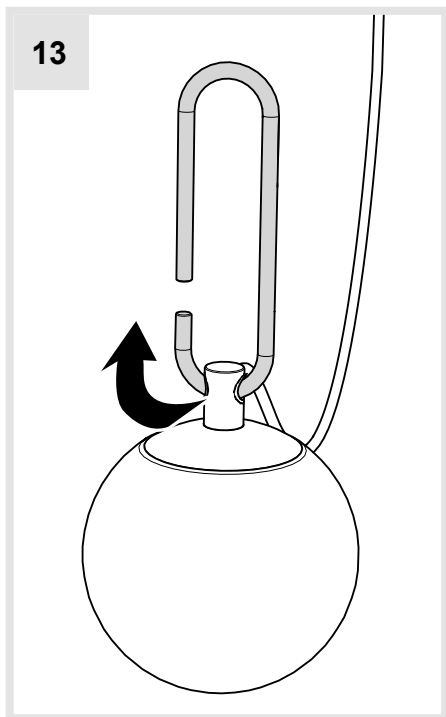
11



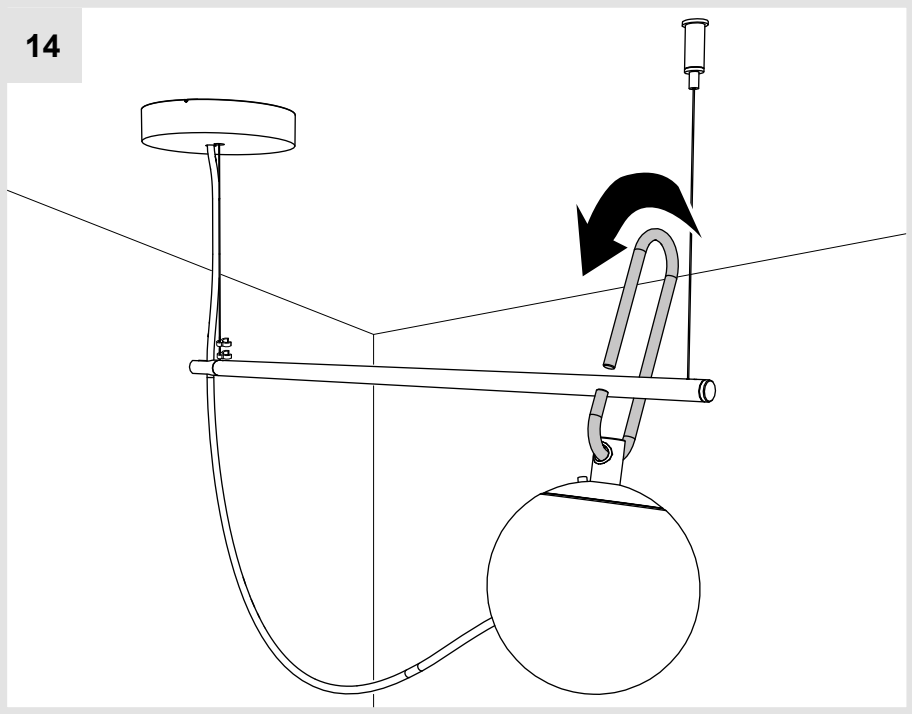
12



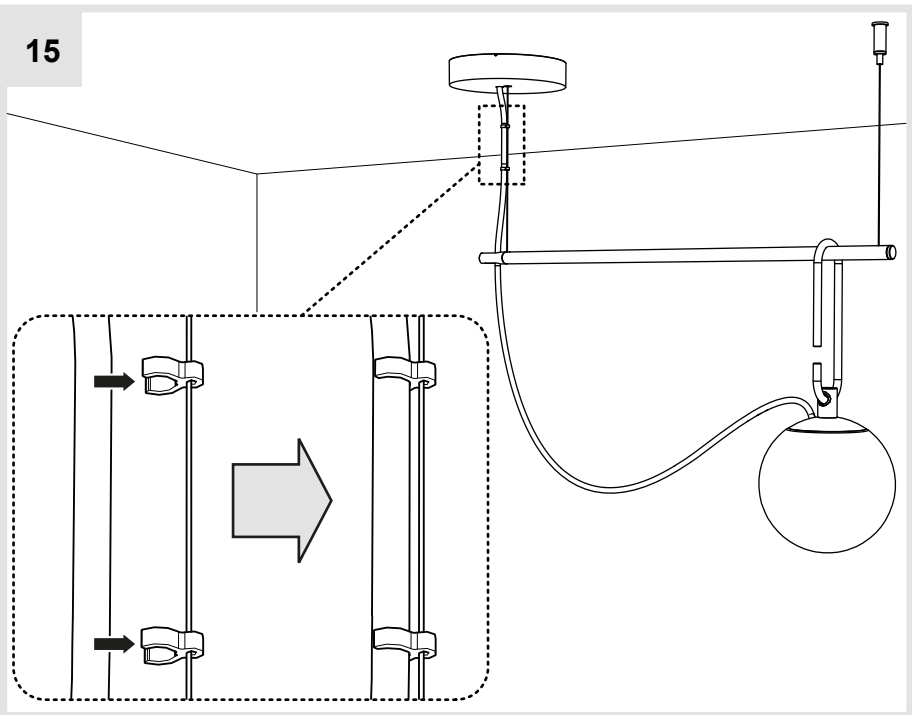
13



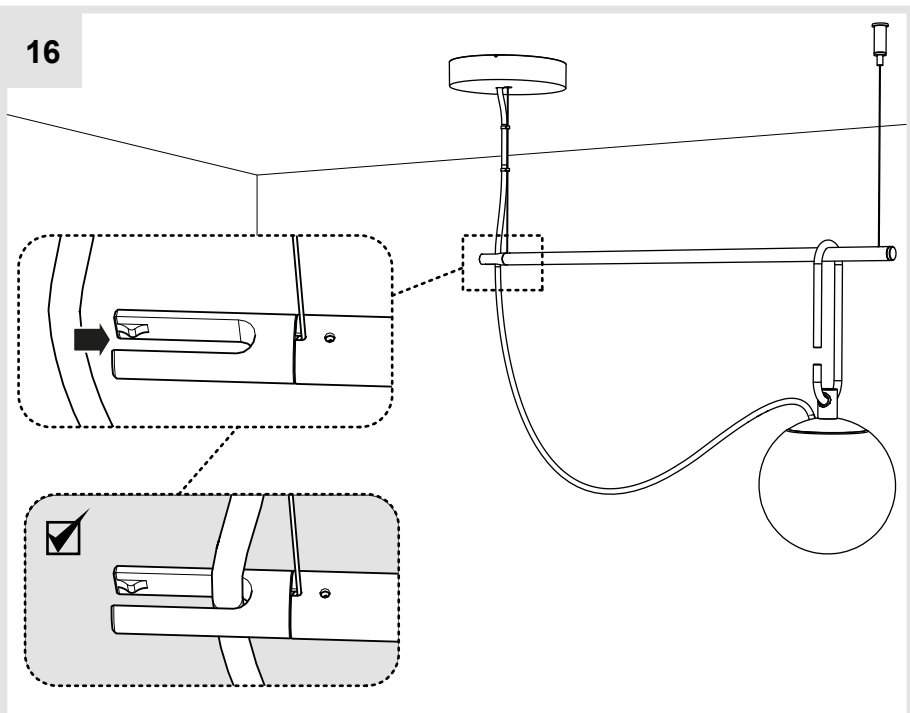
14



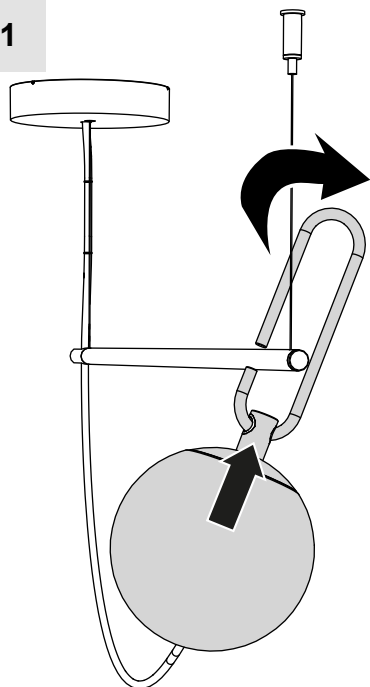
15



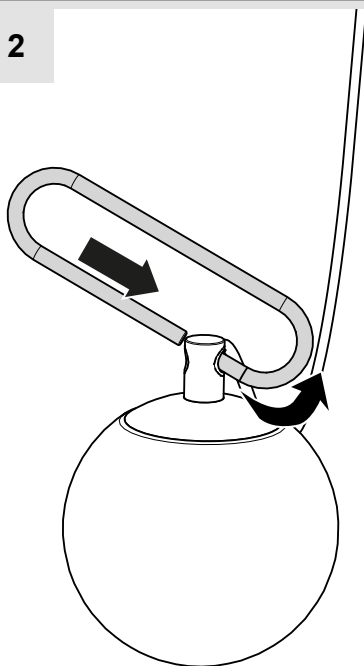
16



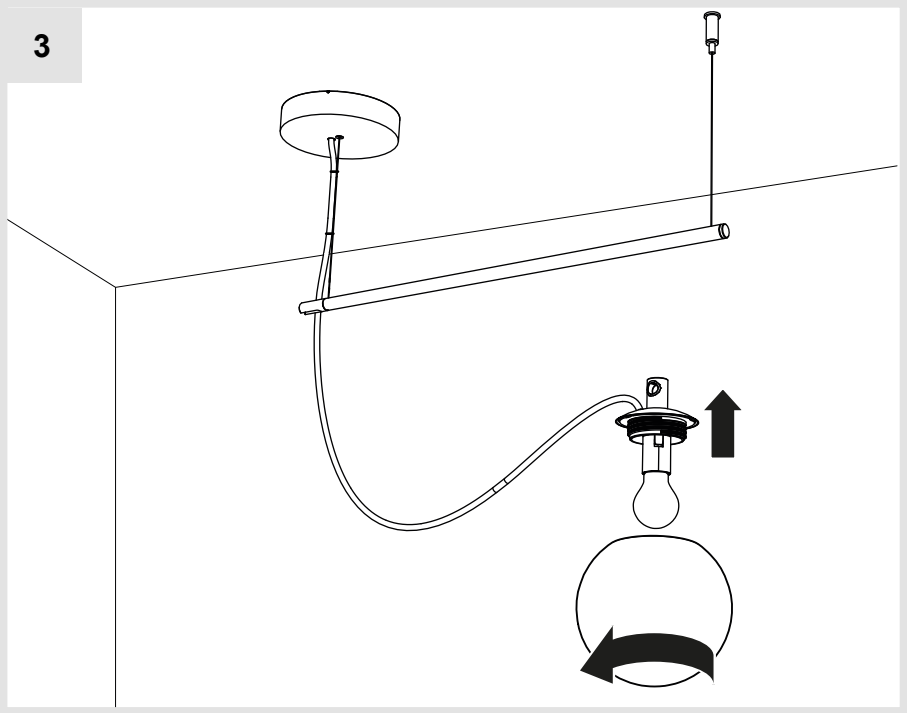
1



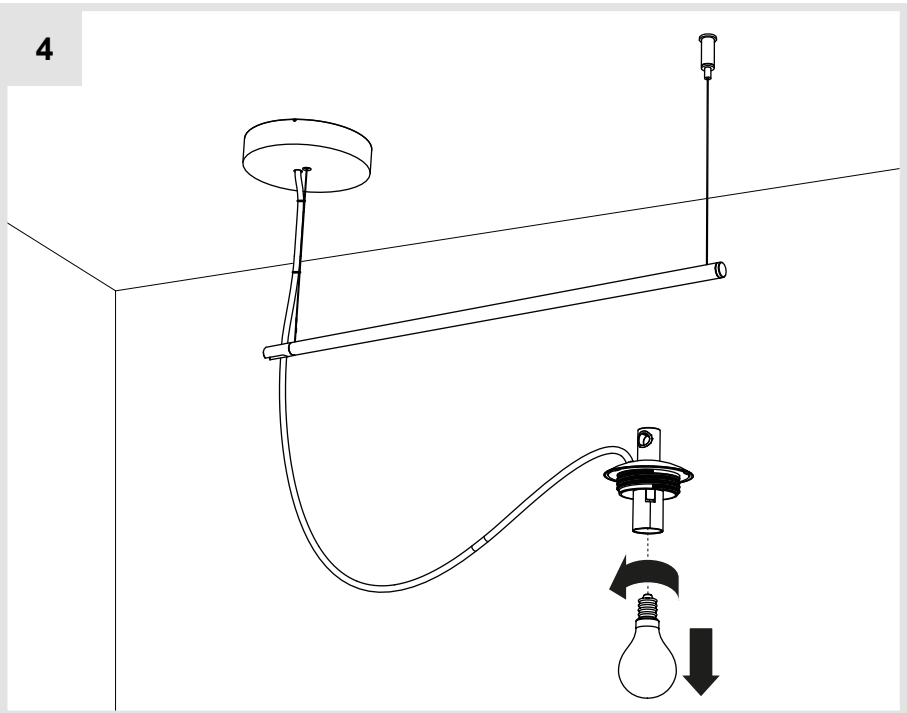
2



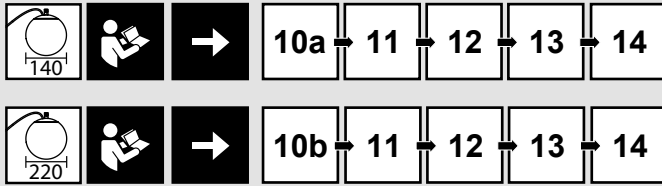
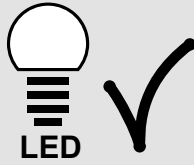
3

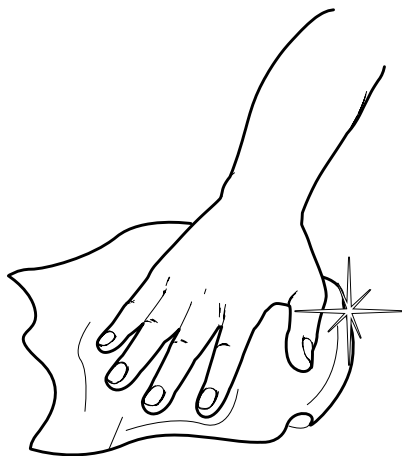
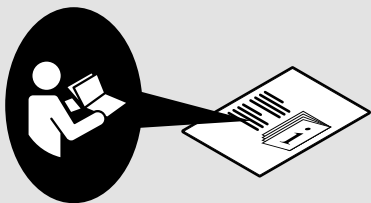


4

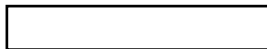


i





Artemide®



Artemide

via Bergamo, 18
20006 Pregnana M.se (MI)
ITALIA

tel. +39 02 935 181
fax +39 02 935 90 254
fax +39 02 935 90 496

www.artemide.com

VAT IT00846890150

cod. Y513000952A