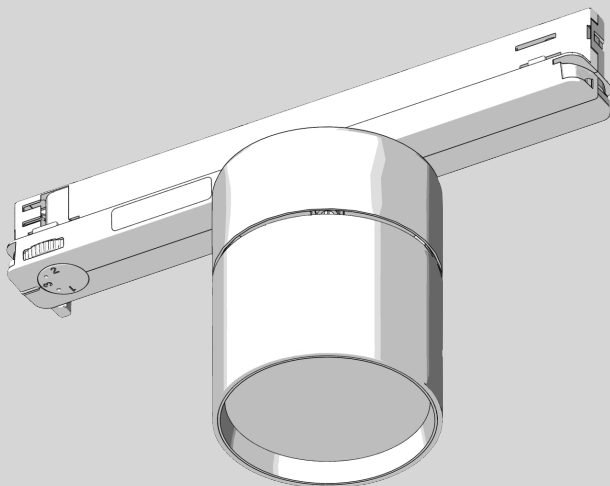
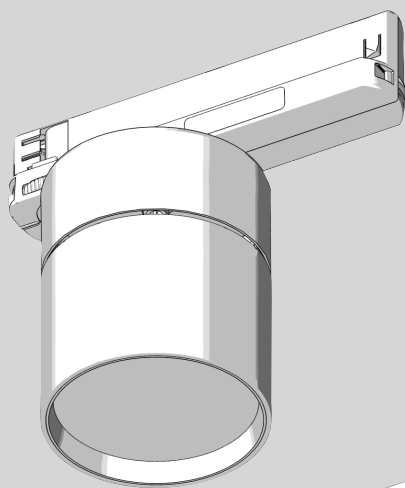


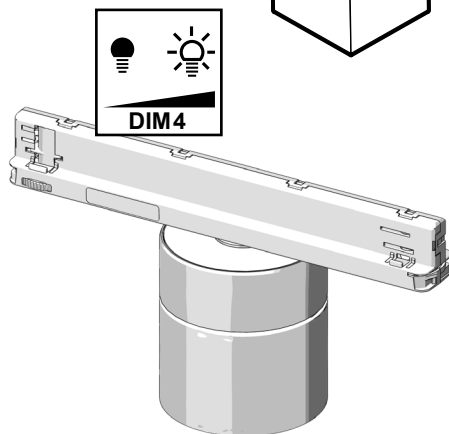
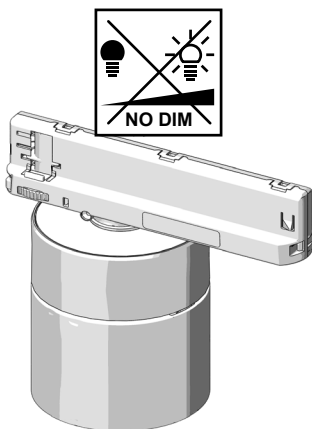
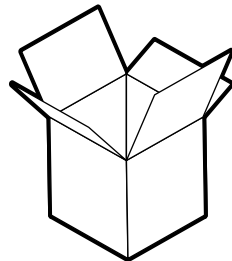
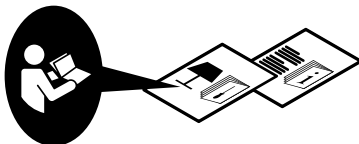
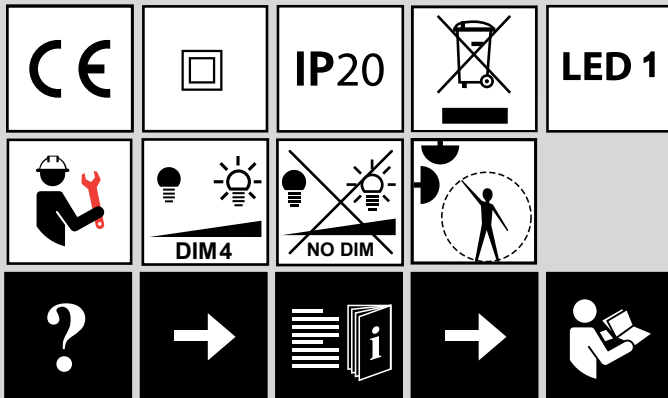
HOY TRACK DALI HOY TRACK ND

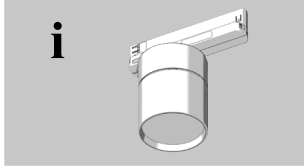
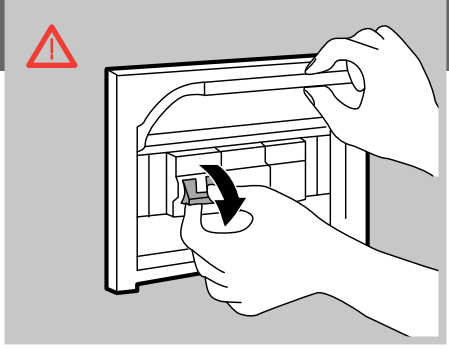
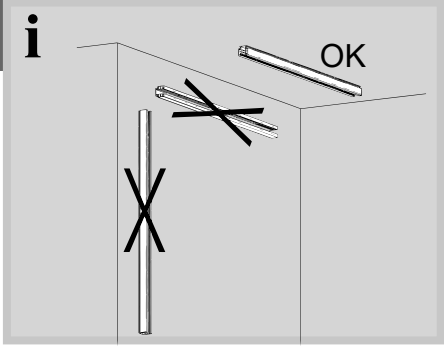
design
Foster + Partners



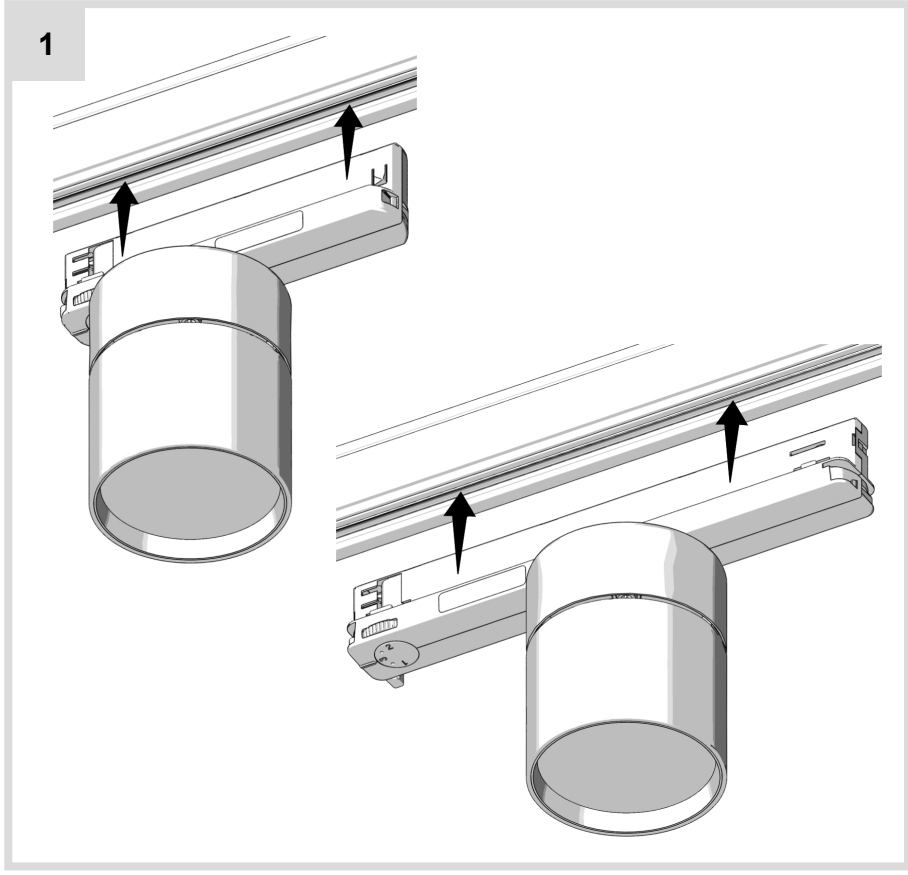
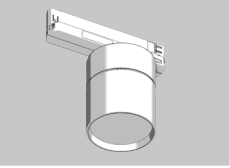


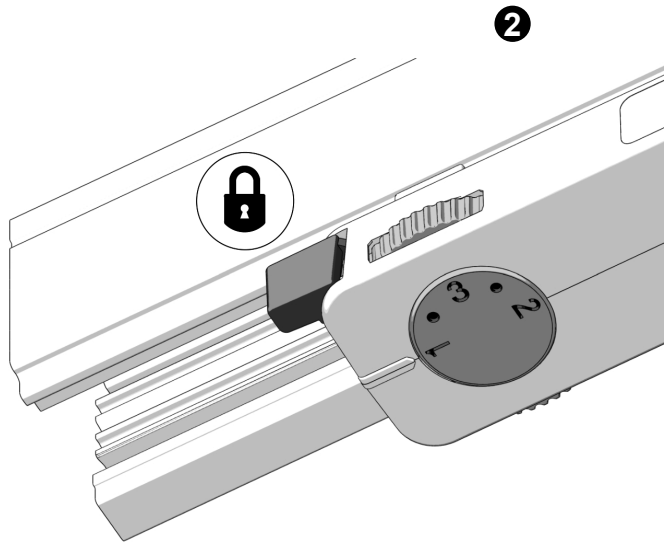
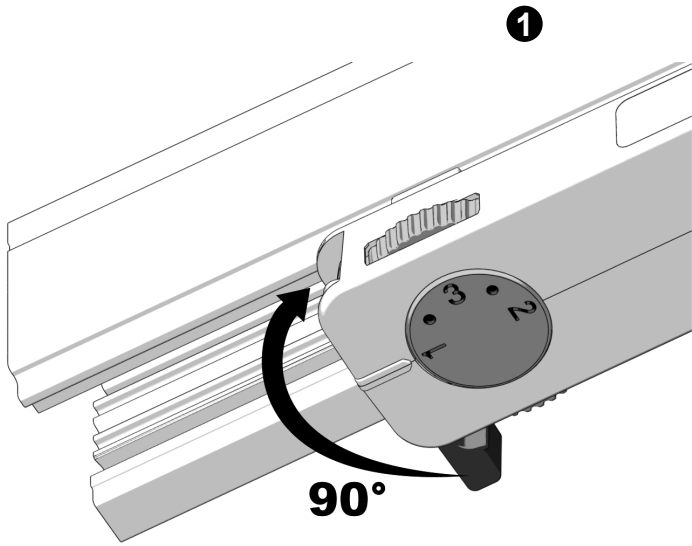
i





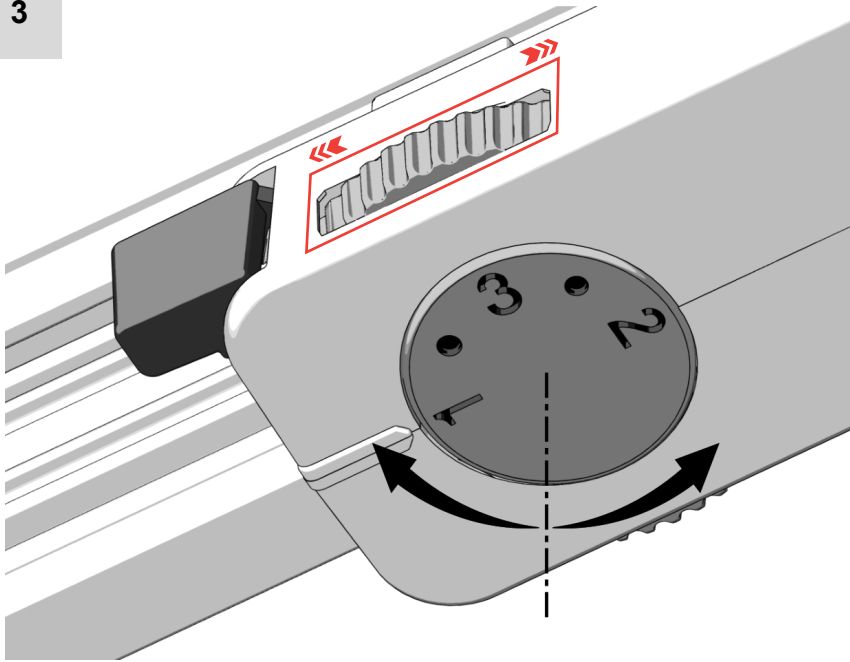
MCB type B		MCB type C	
10A	16A	10A	16A
max 32	max 50	max 52	max 85







3



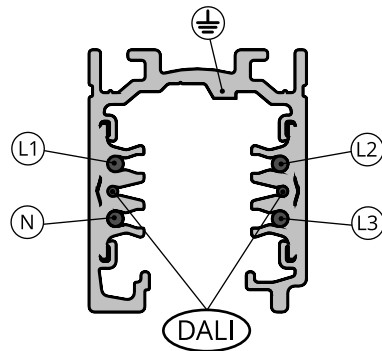
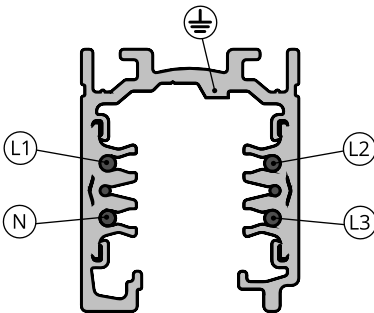
4



1 = L1
2 = L2
3 = L3



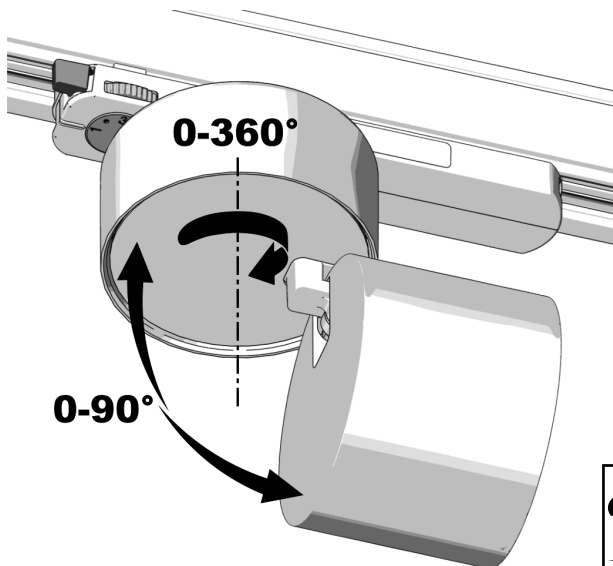
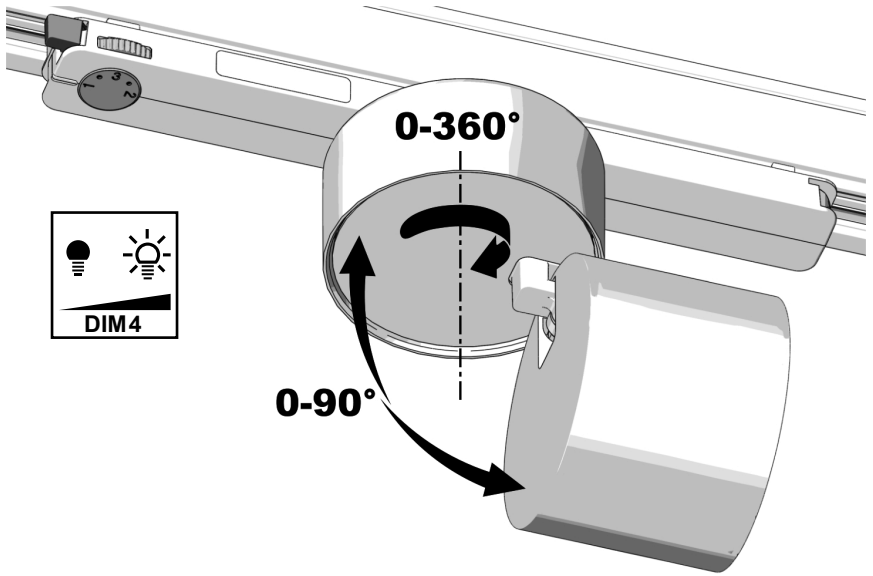
1 = L1
2 = L2
3 = L3



A.A.G. Stucchi - Onetrack

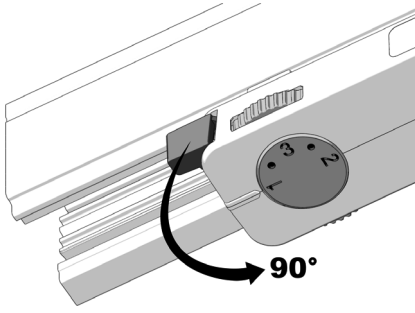


5

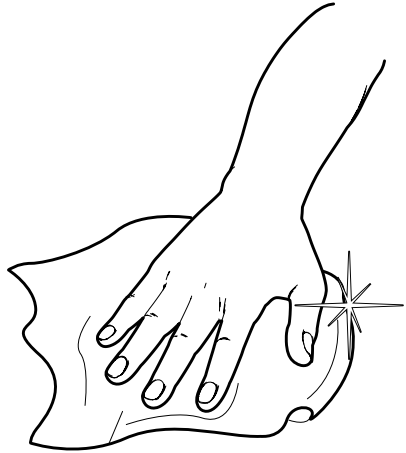
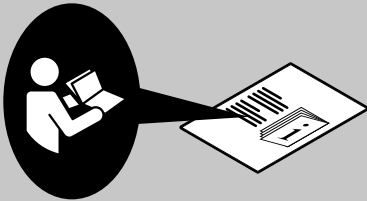
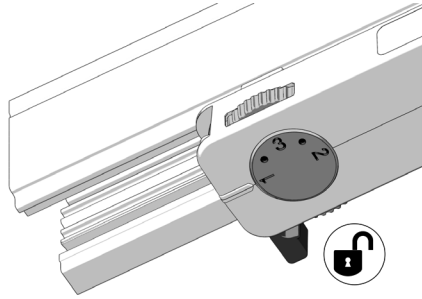




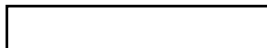
1



2



Artemide[®]
ARCHITECTURAL



Artemide Spa

via Bergamo, 18
20010 Pregnana M.se (MI)
ITALIA

Tel. +39 02 935 181
Fax +39 02 935 90 254
Fax +39 02 935 90 496

www.artemide.com

VAT IT00846890150

cod. Y513001085