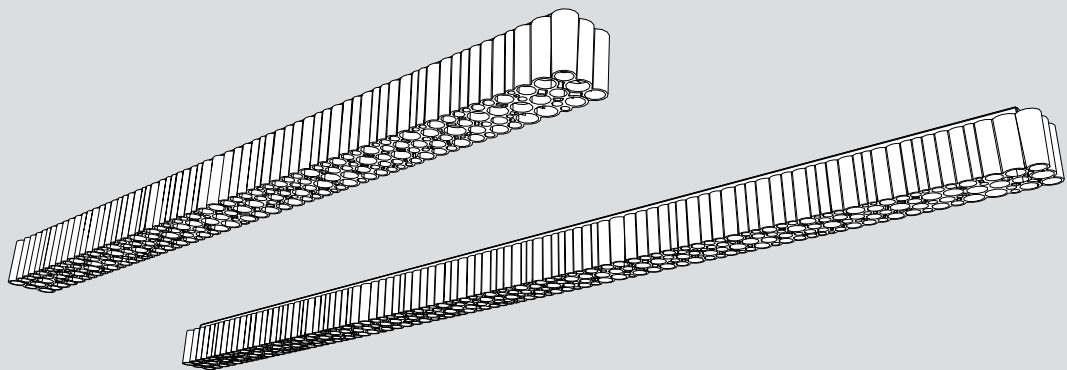


Artemide®

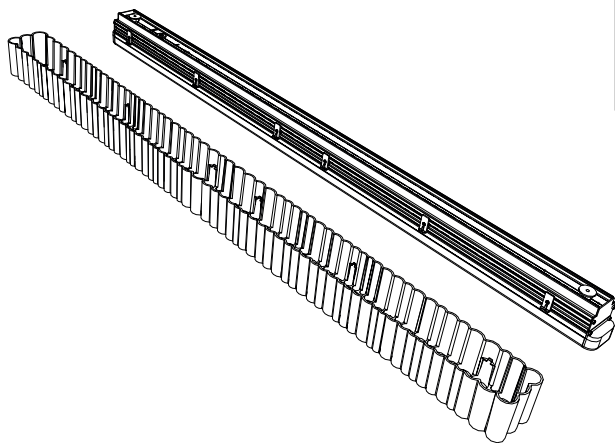
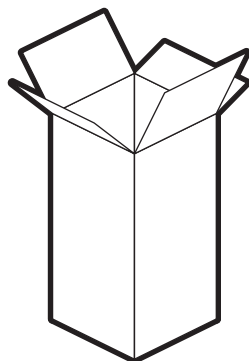
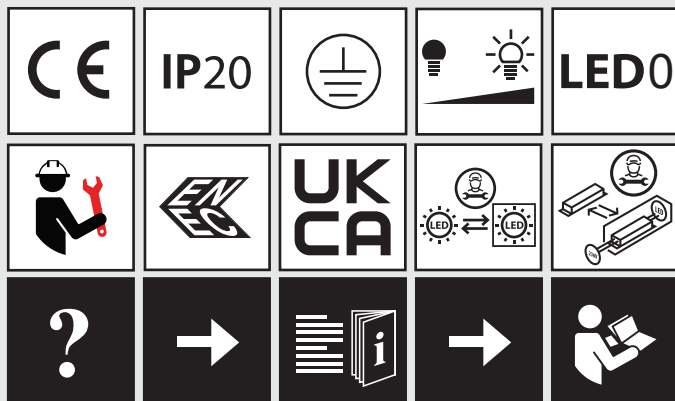
Calipso

design
Neil Poulton

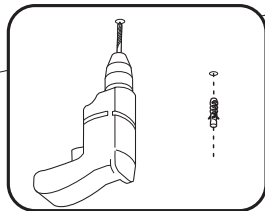
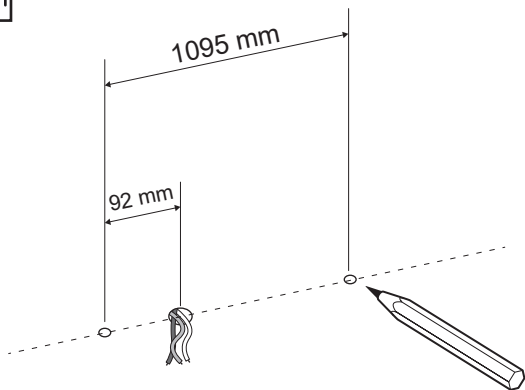




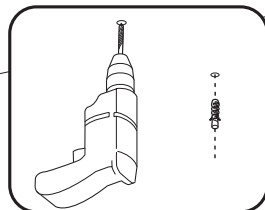
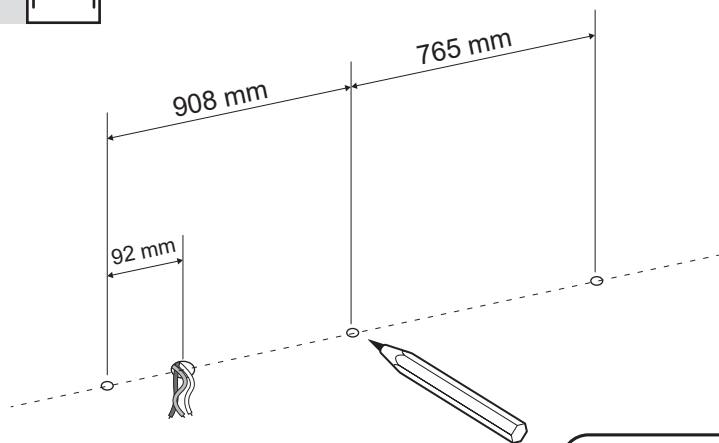
i

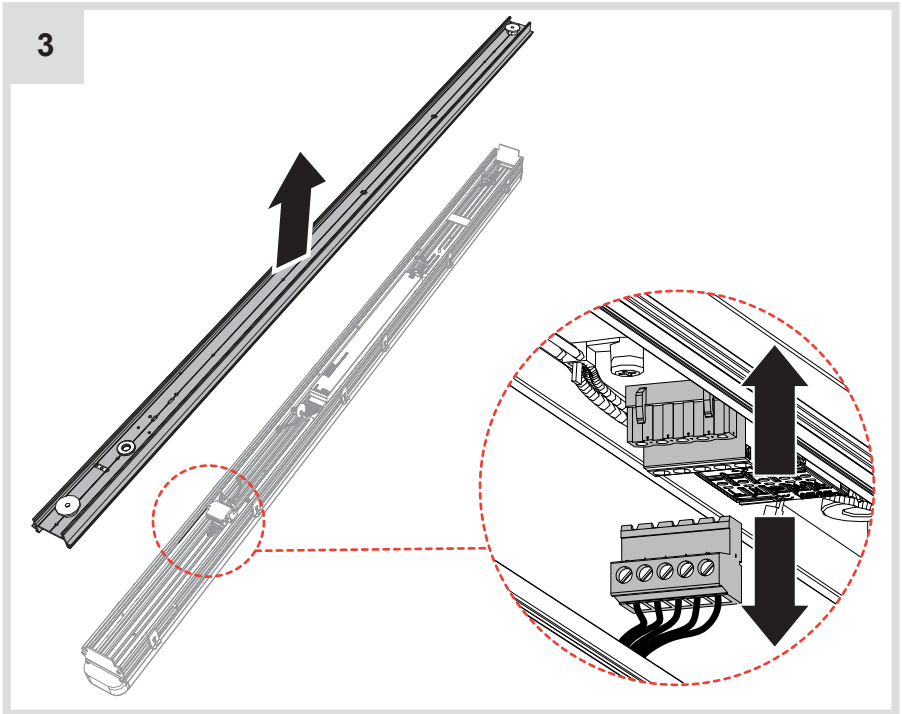
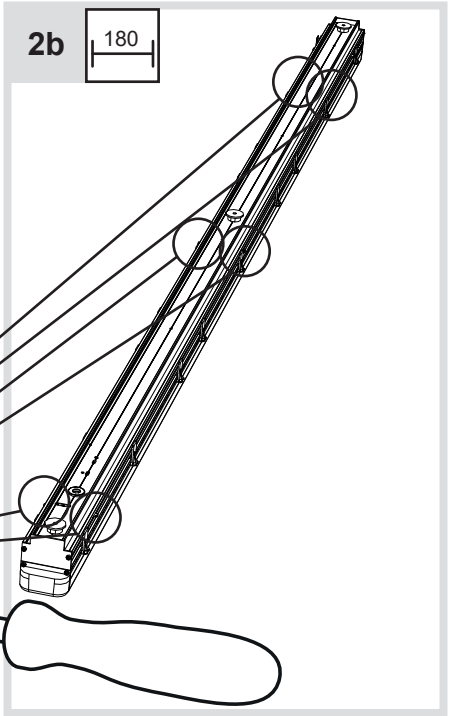
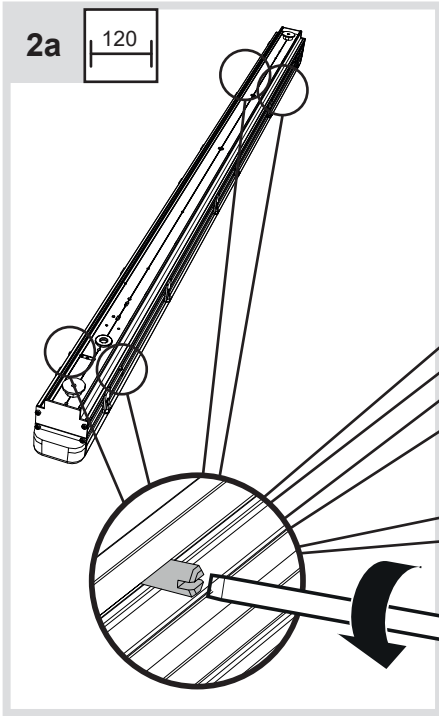


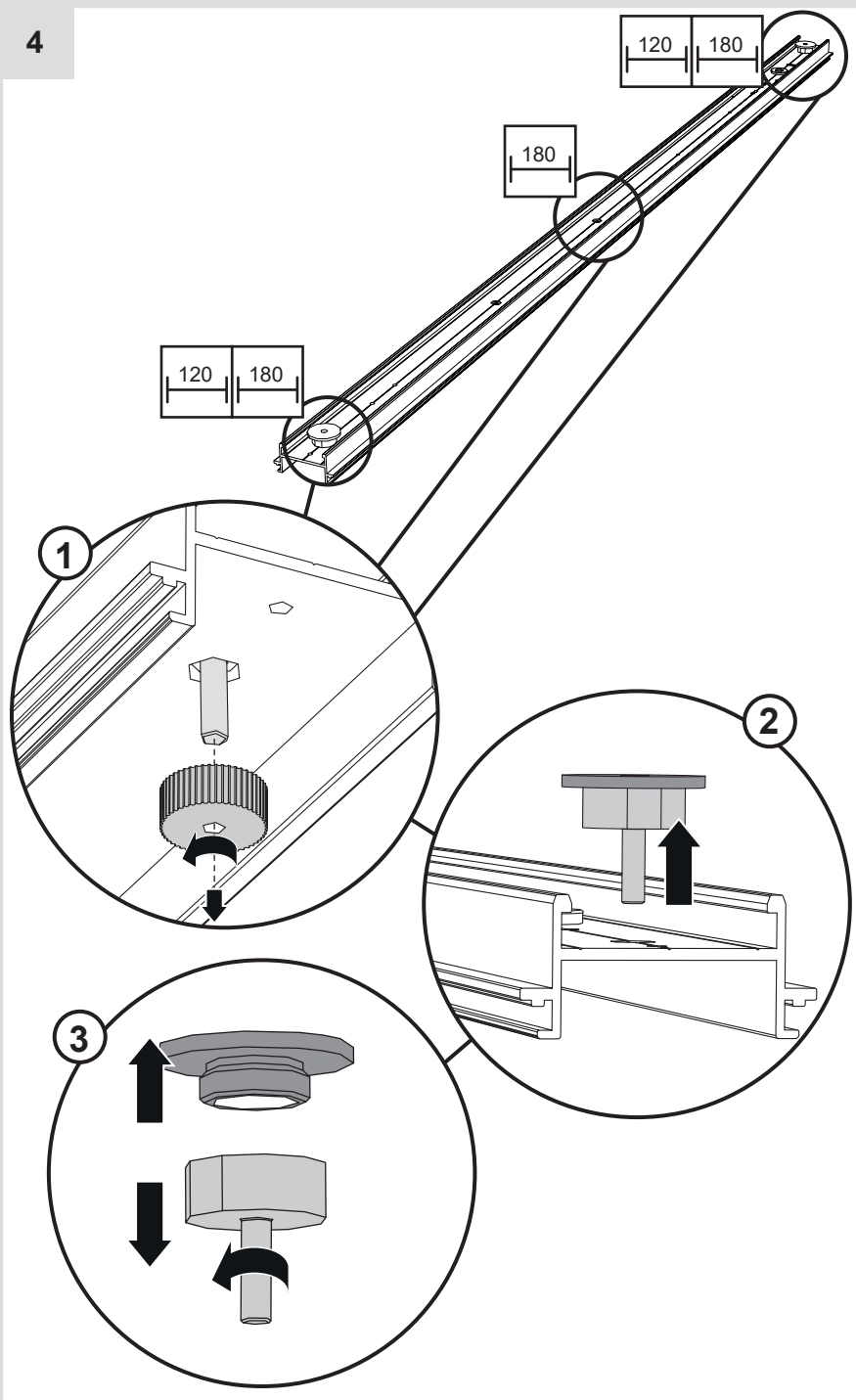
1a



1b

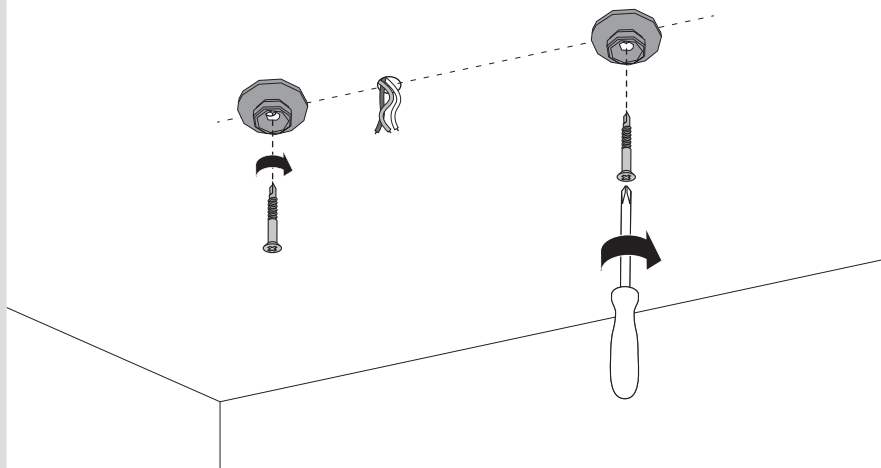






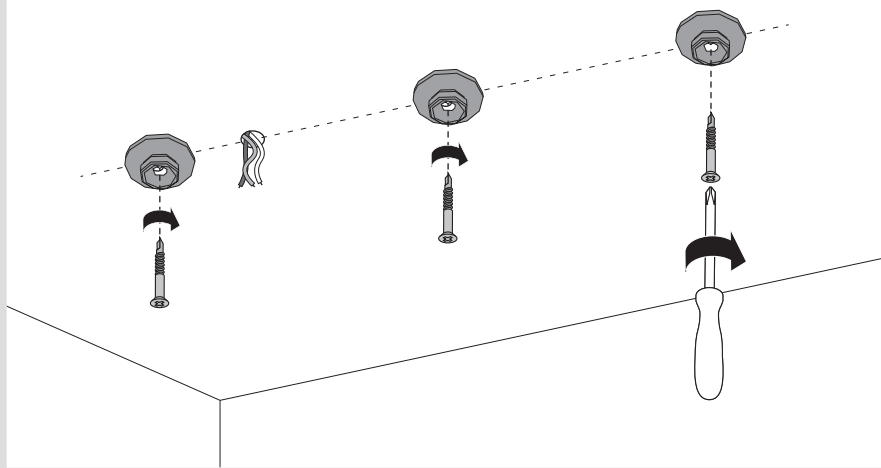
5a

120

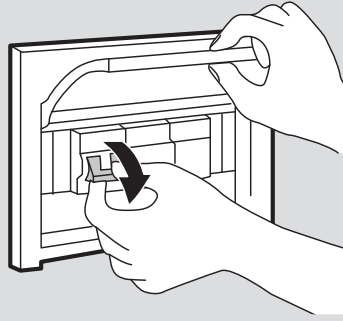
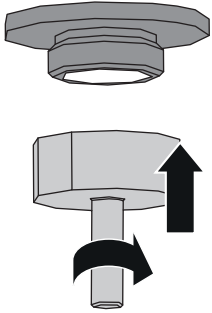


5b

180

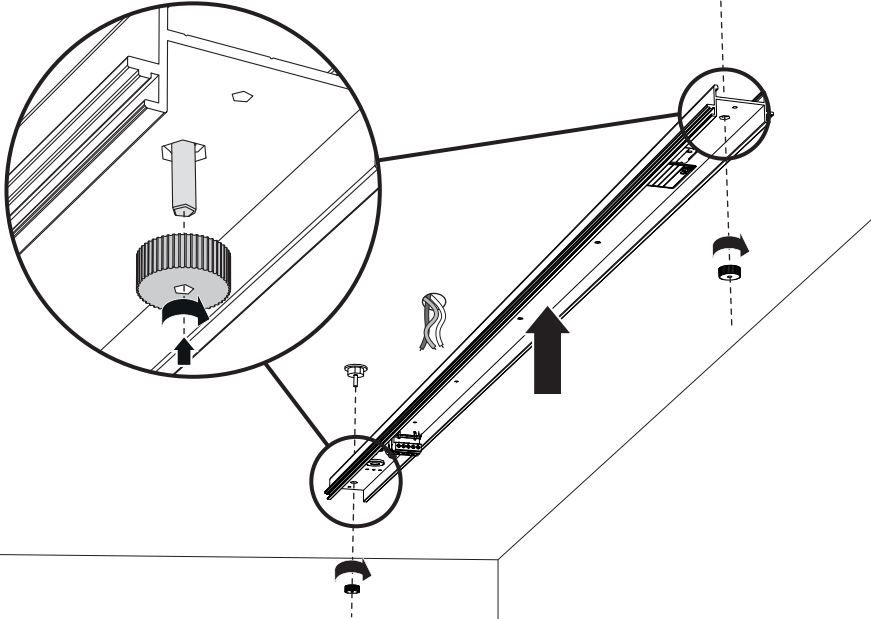


6



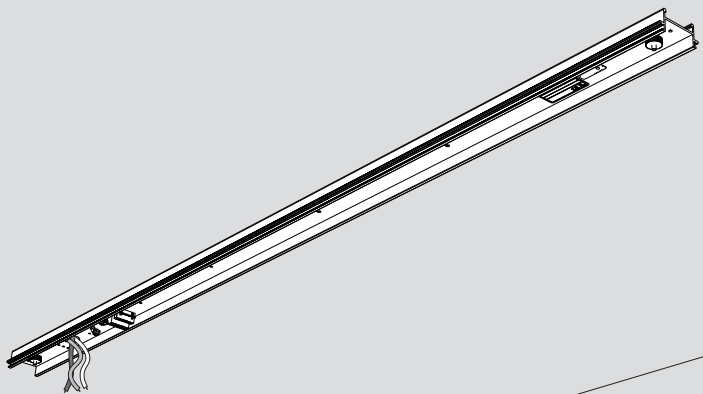
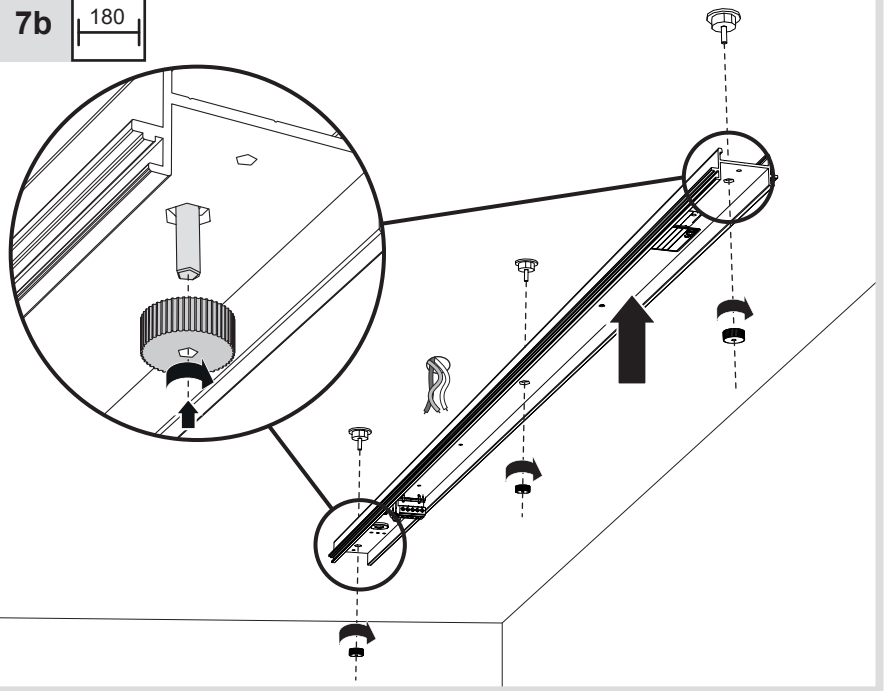
7a

120

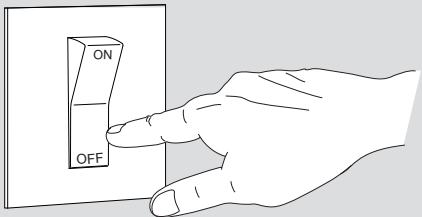
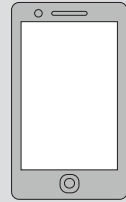
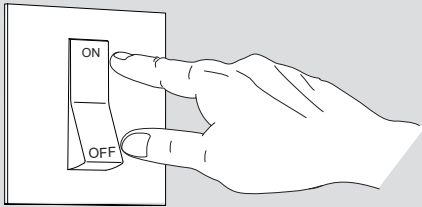
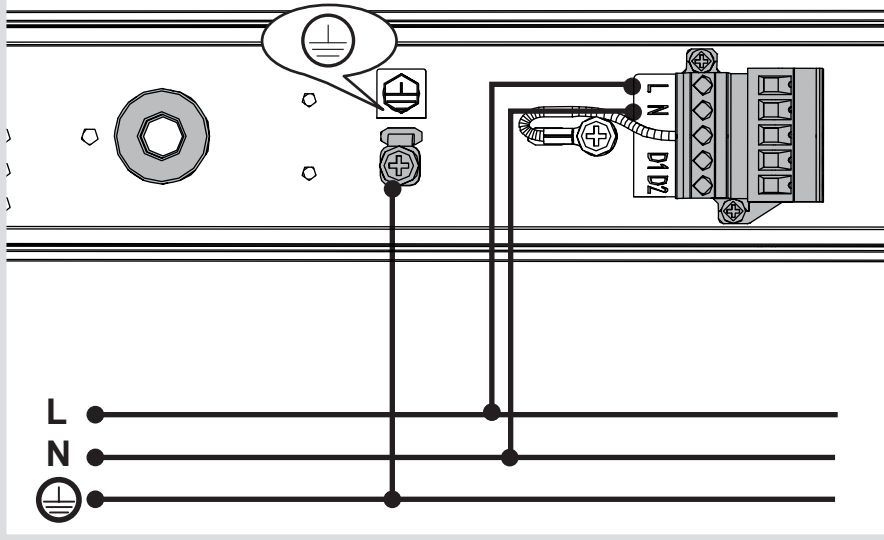


7b

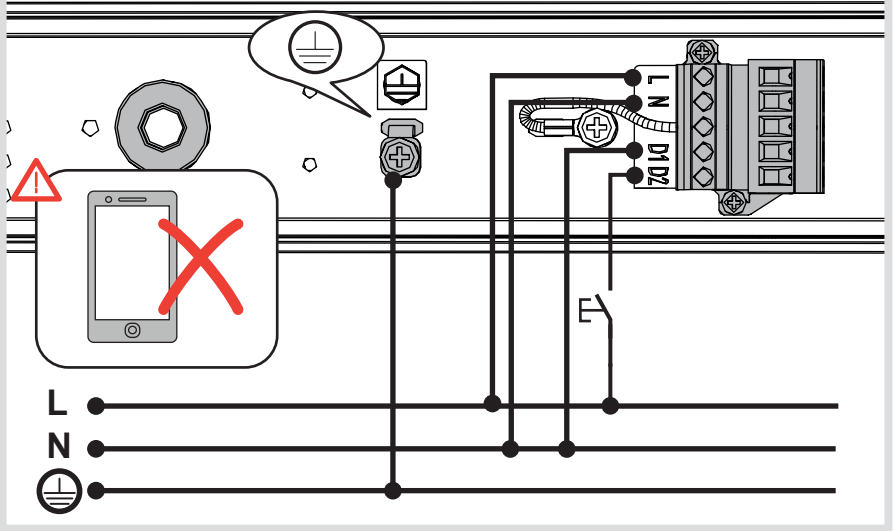
180



8a



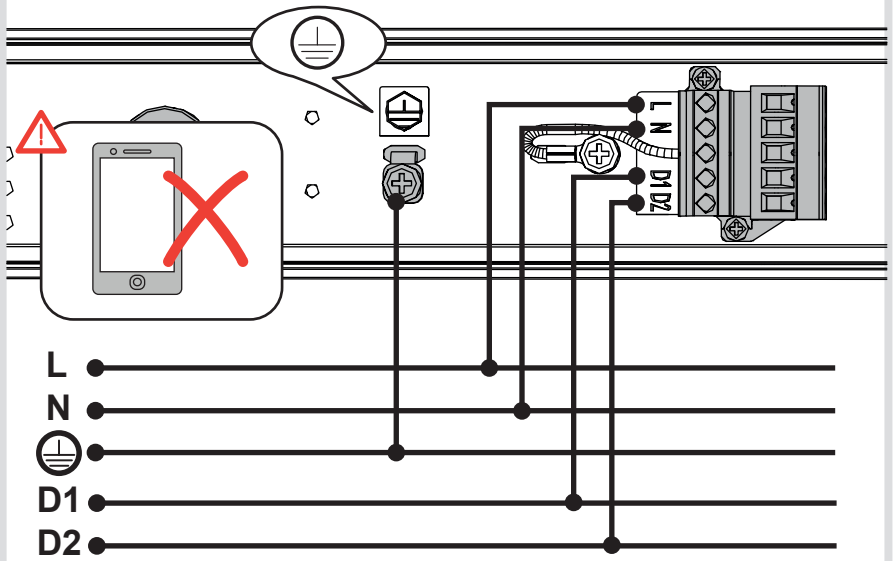
8b



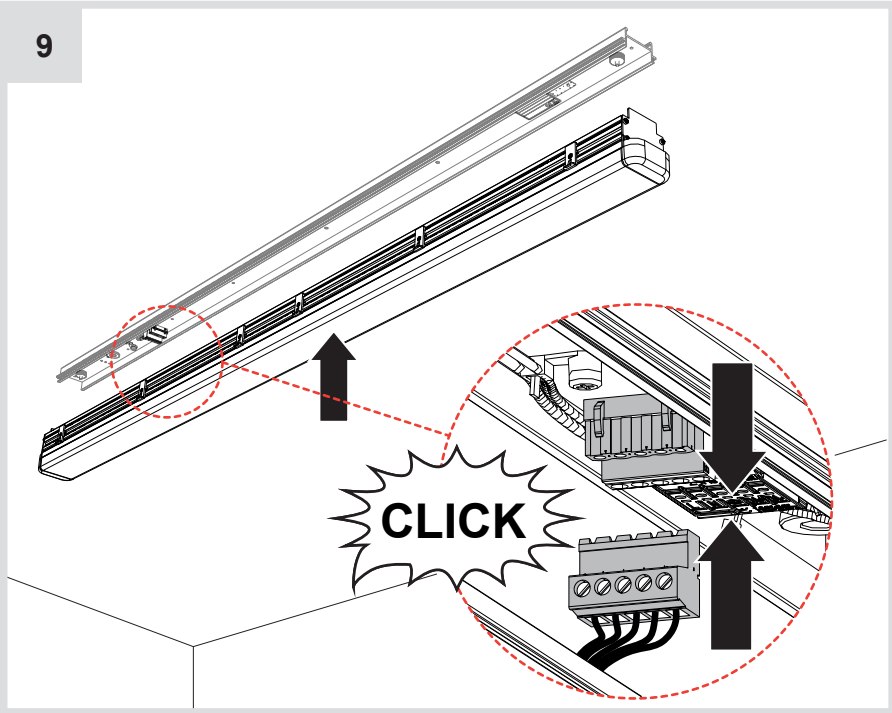
8c



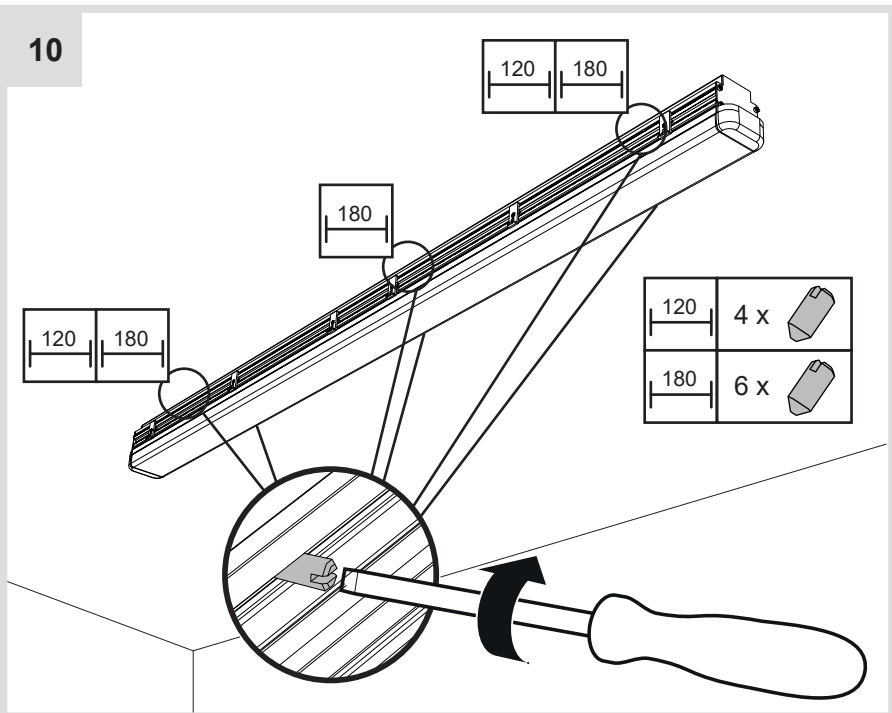
DALI



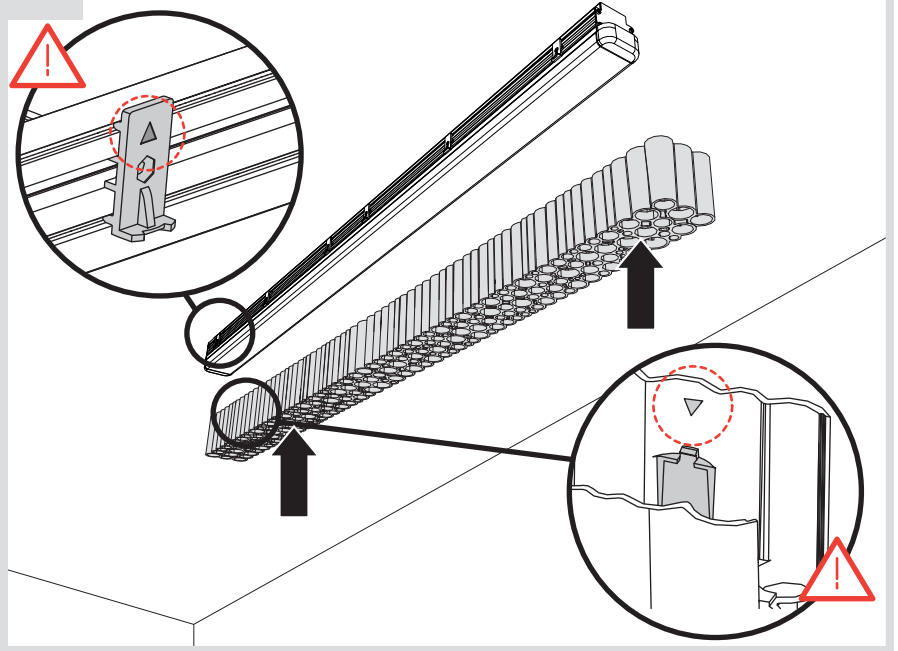
9



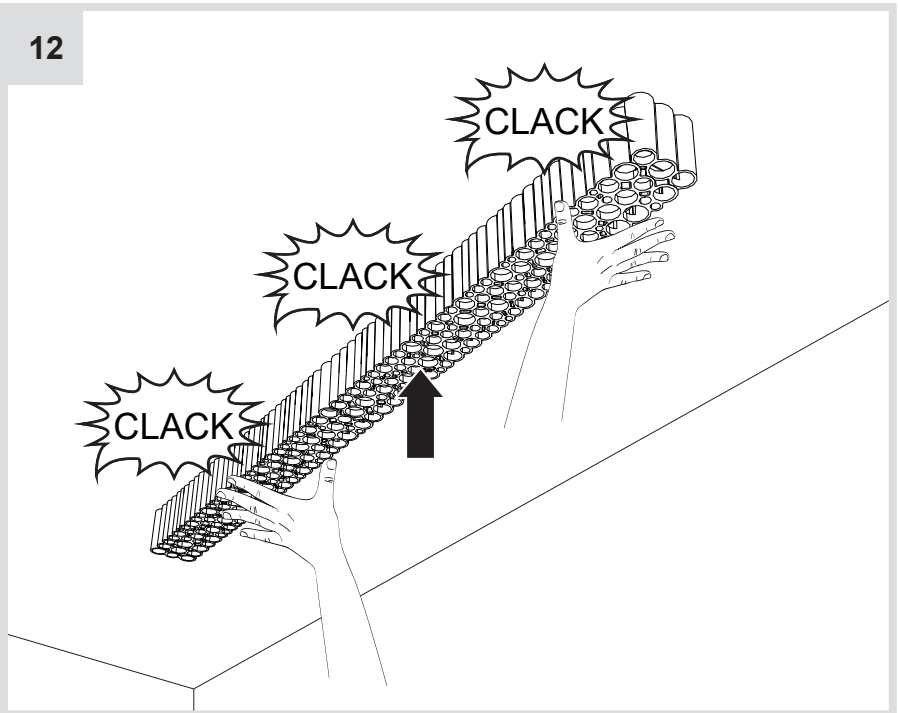
10

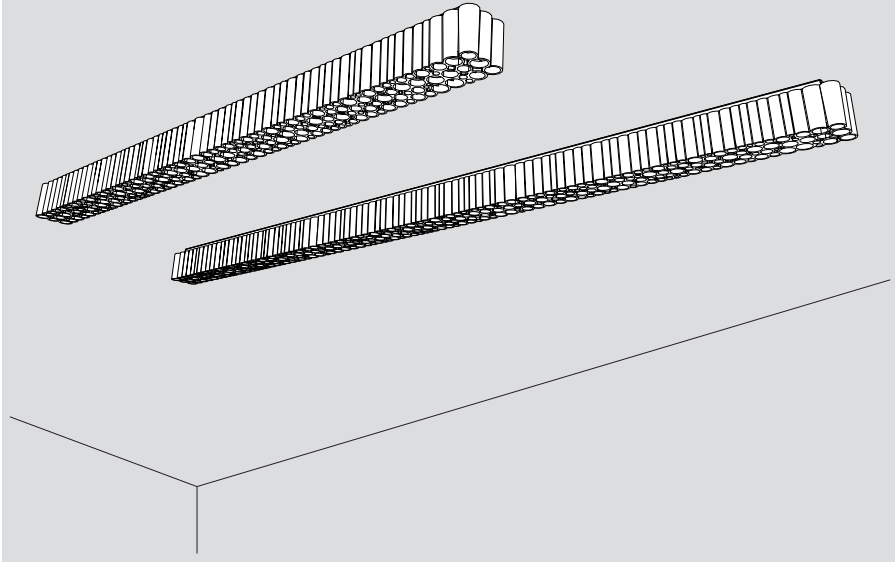


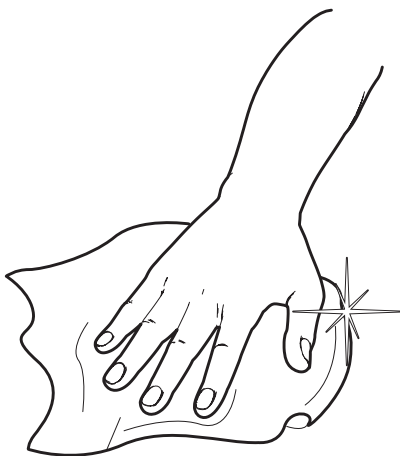
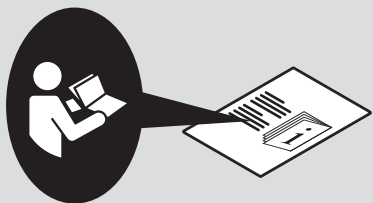
11



12







Artemide®



Artemide

via Bergamo, 18
20006 Pregnana M.se (MI)
ITALIA

tel. +39 02 935 181
fax +39 02 935 90 254
fax +39 02 935 90 496

www.artemide.com

VAT IT00846890150

cod. Y513001104C