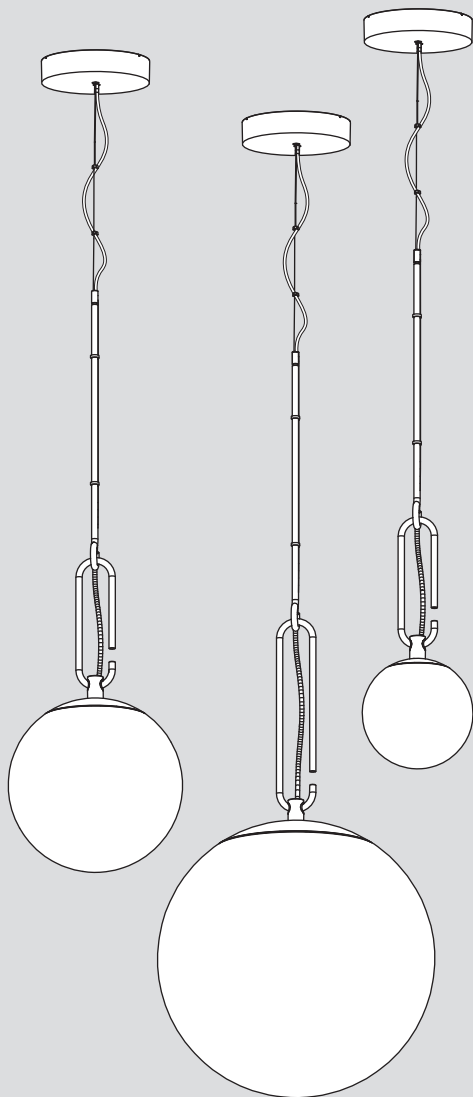


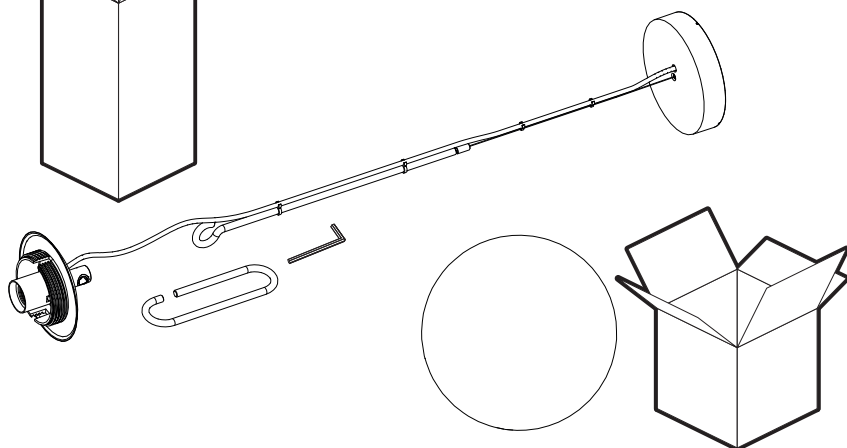
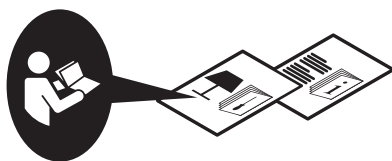
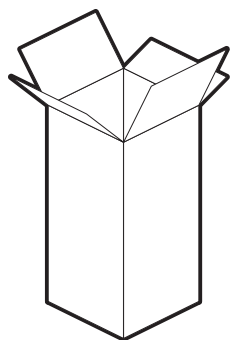
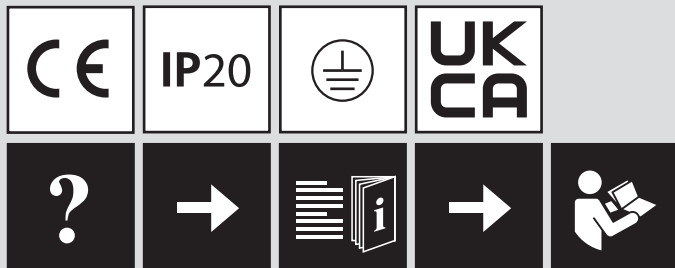
nh

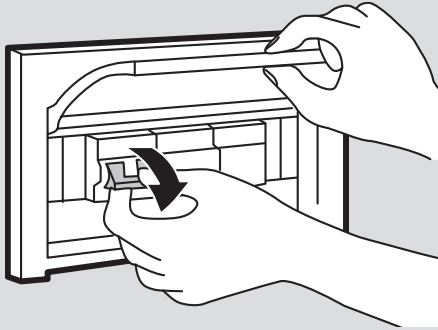
design
Neri & Hu



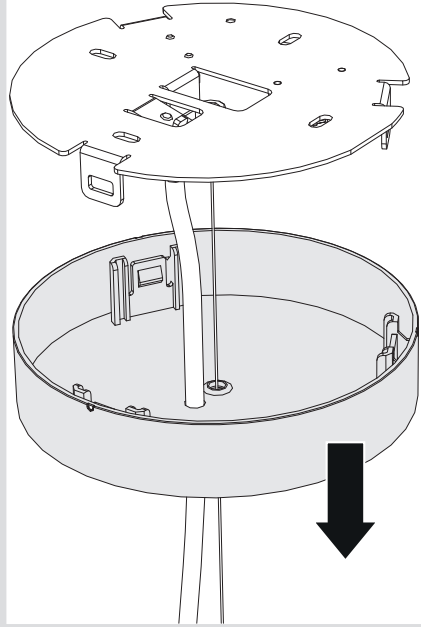


i

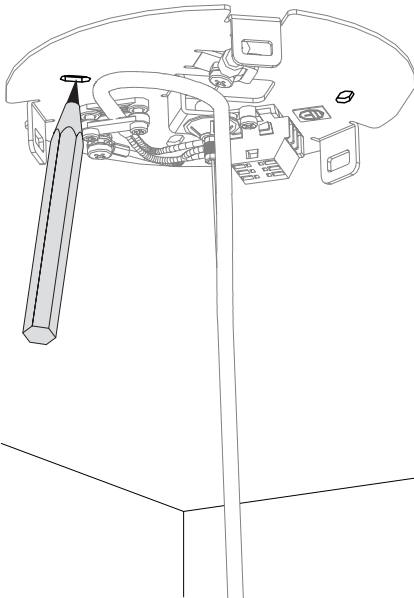




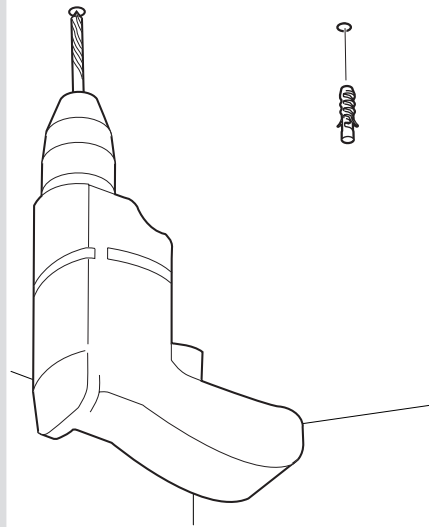
1



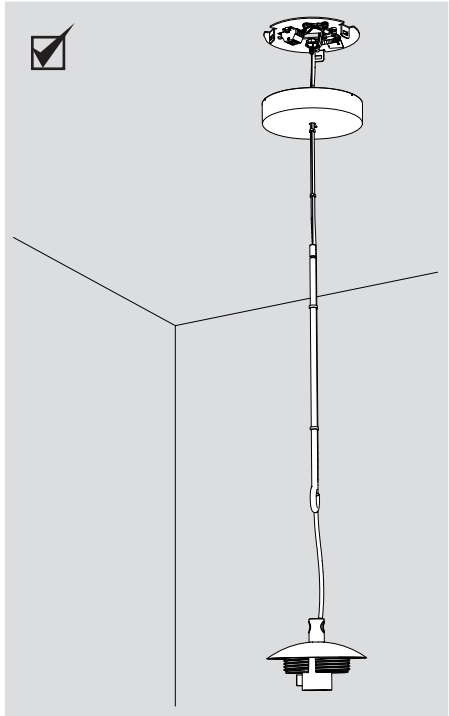
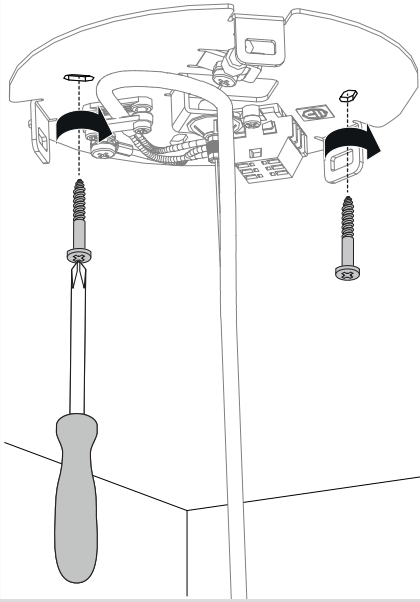
2



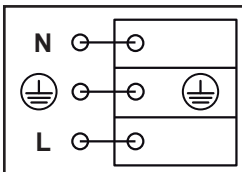
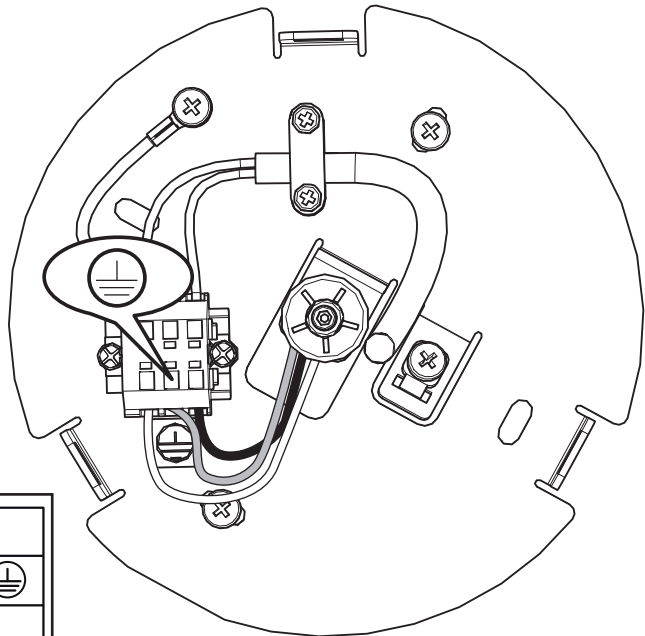
3



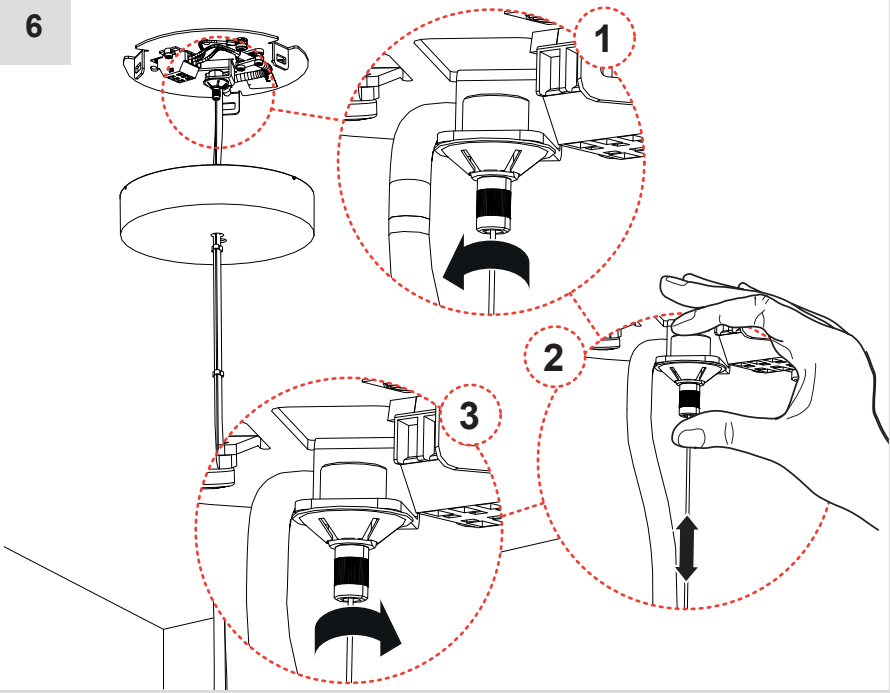
4



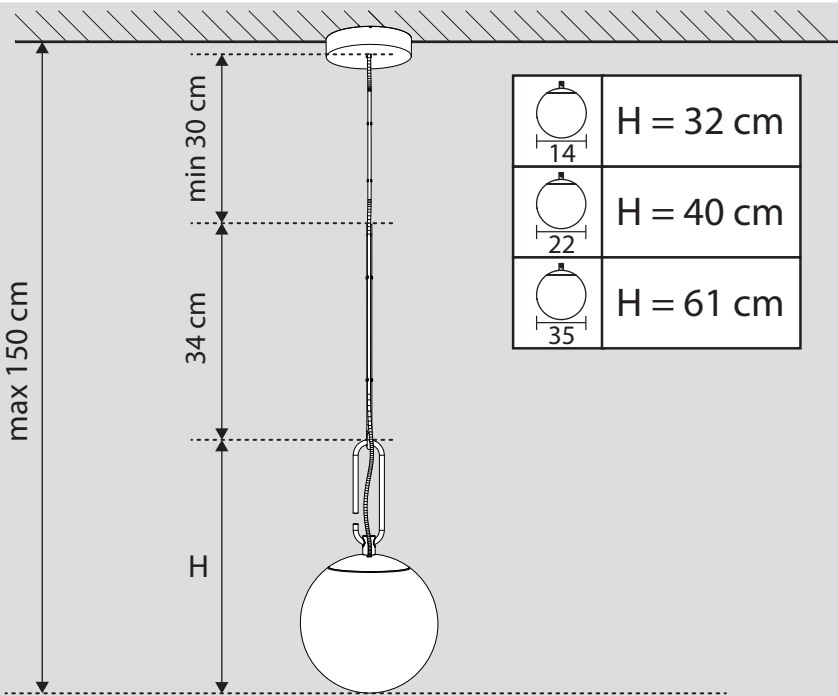
5



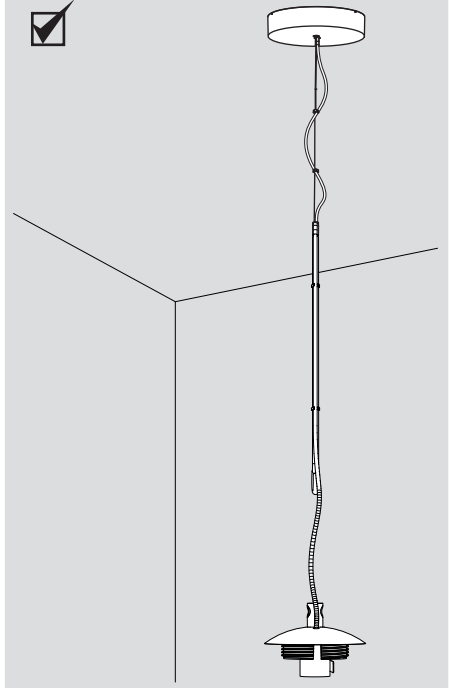
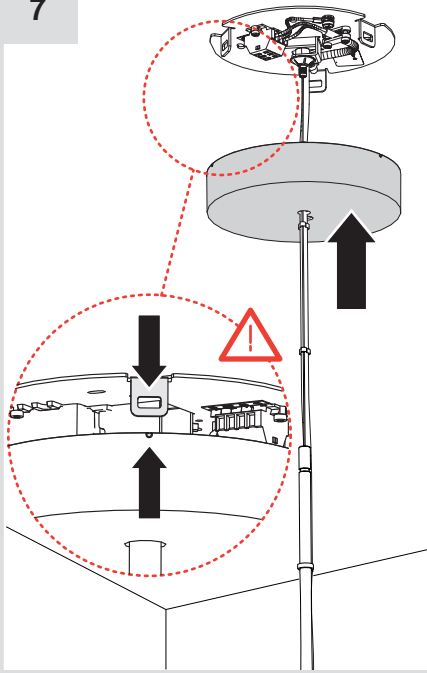
6



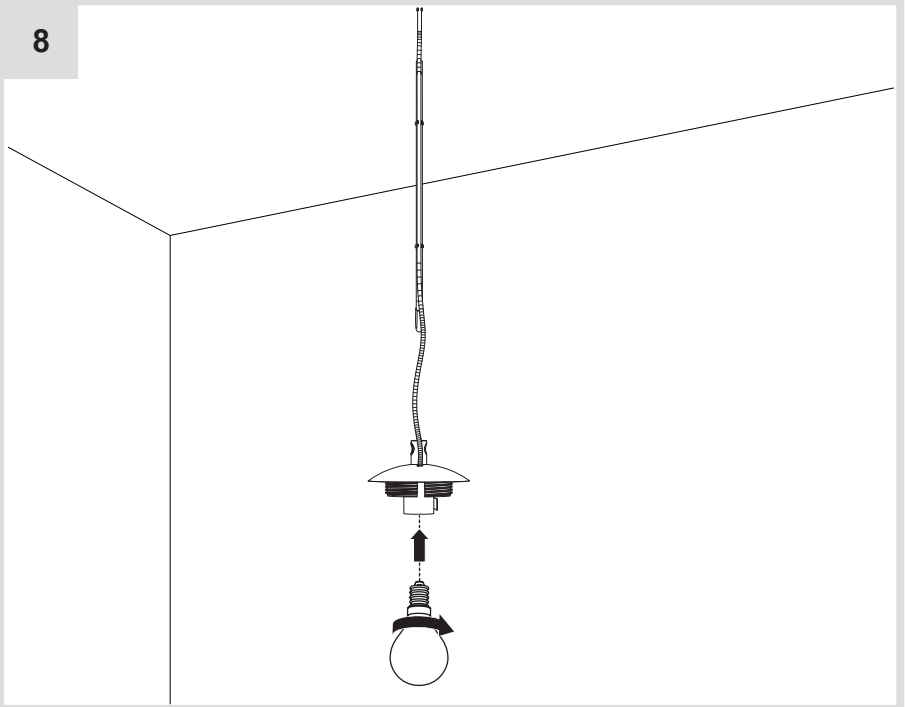
i

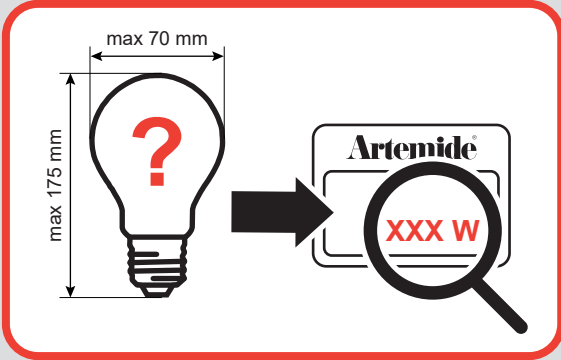
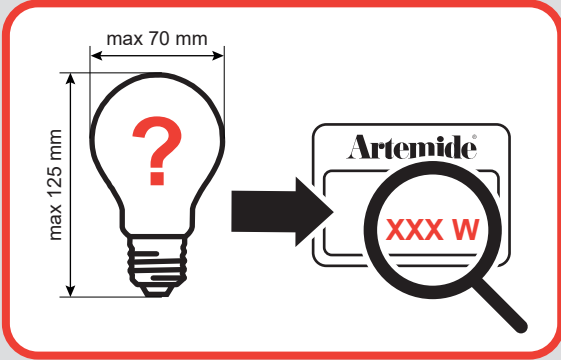
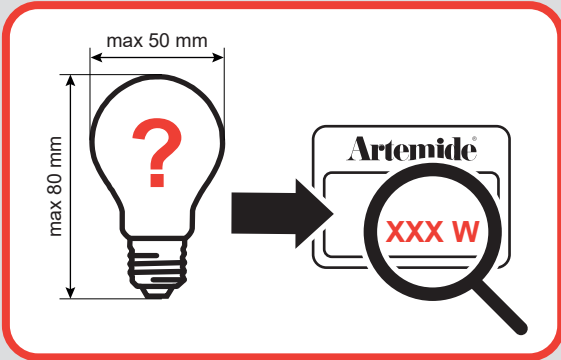
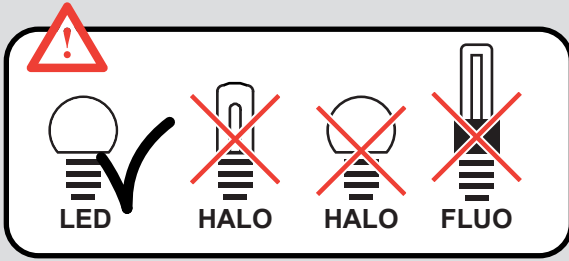


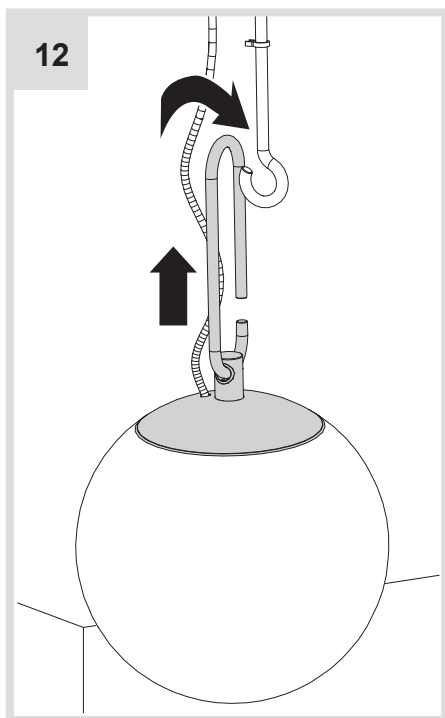
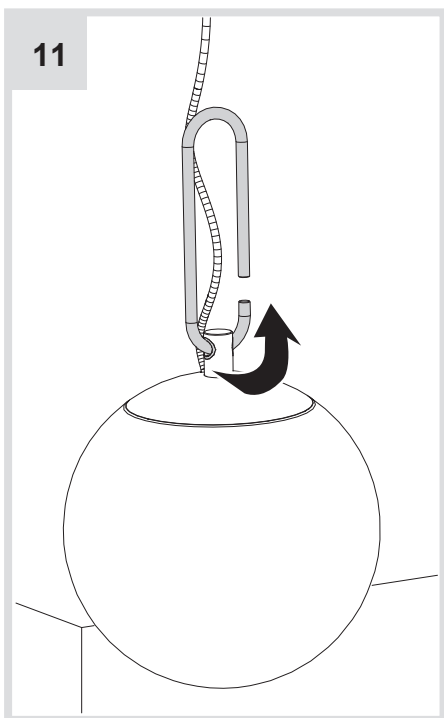
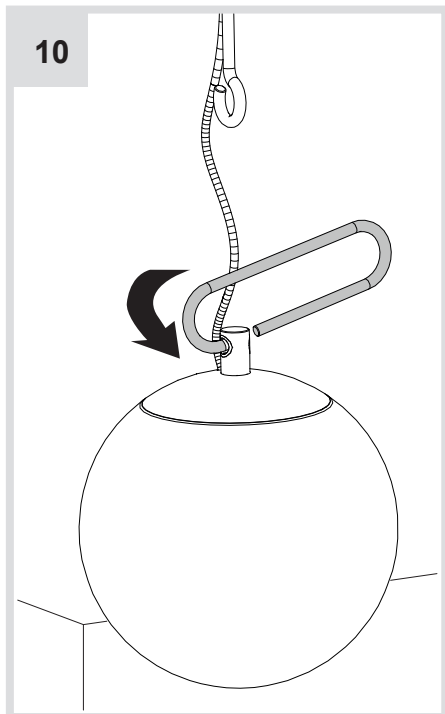
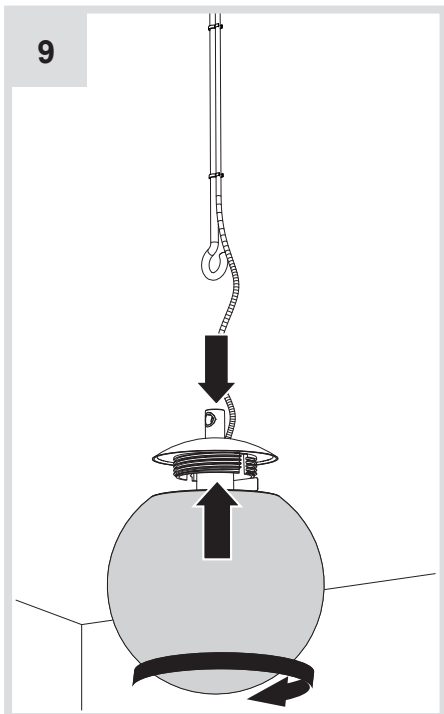
7



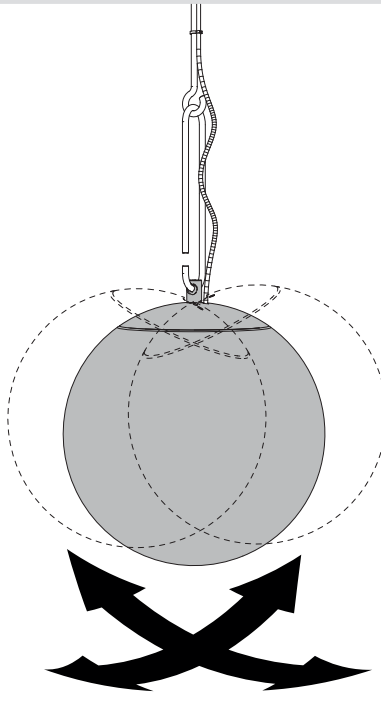
8



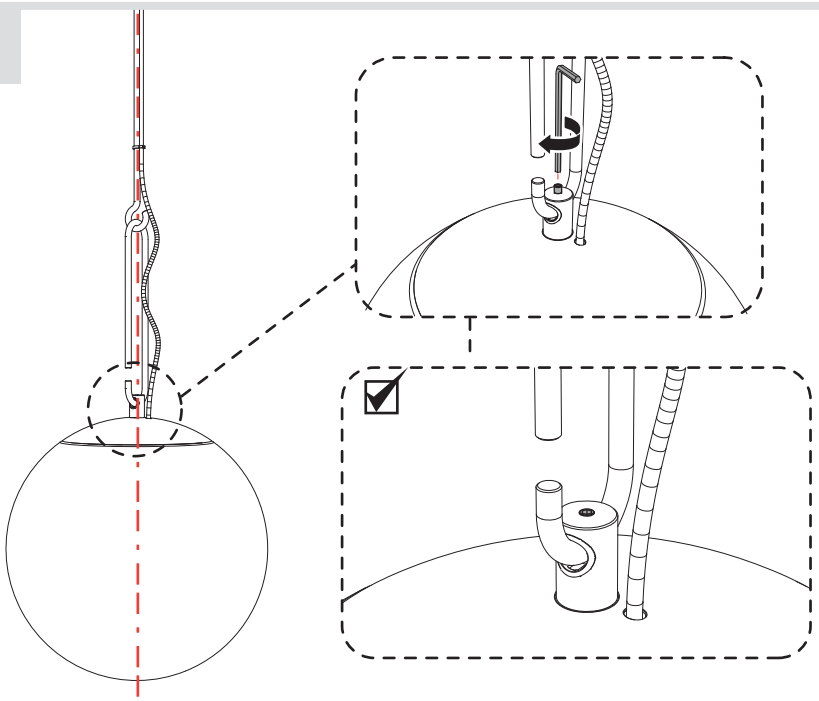


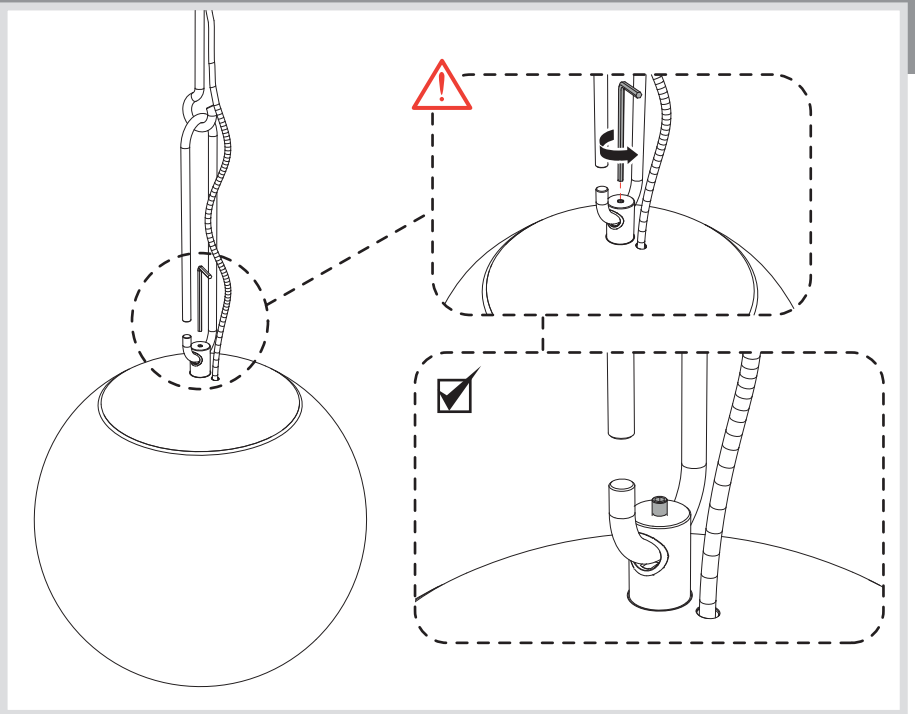
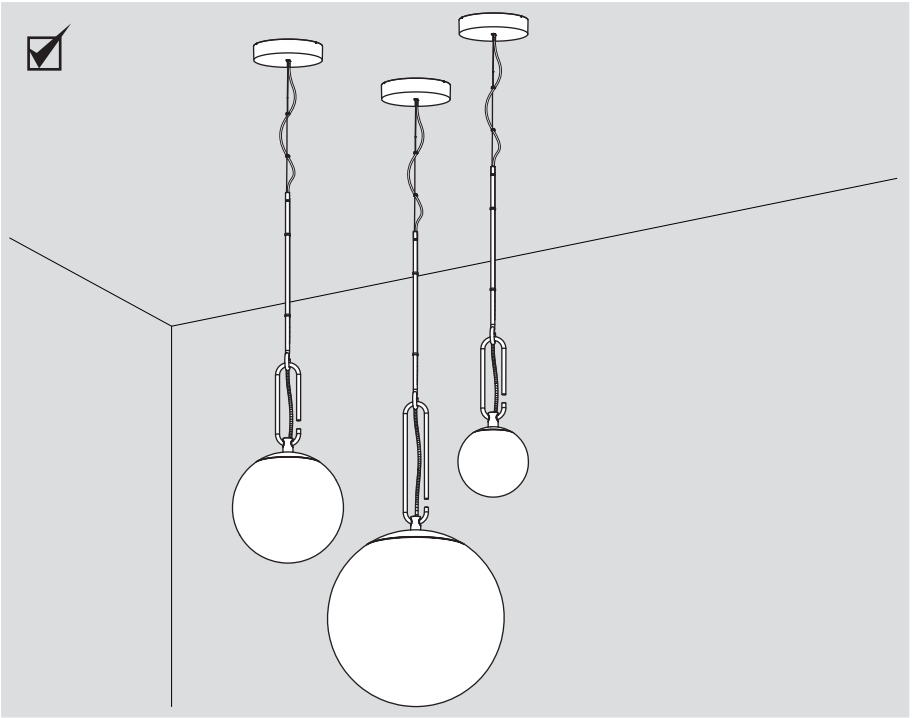


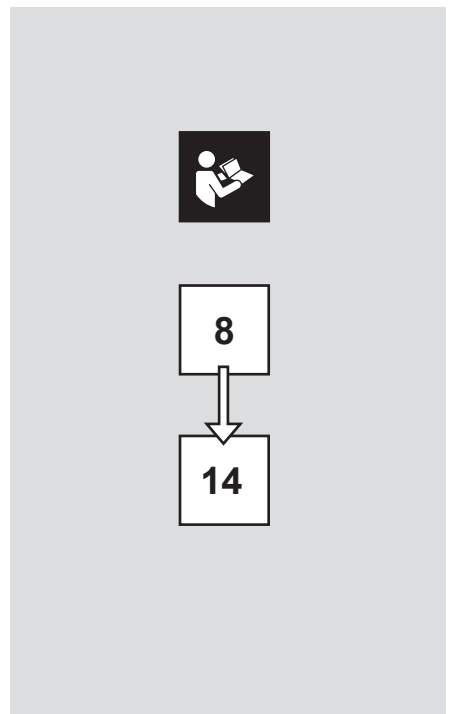
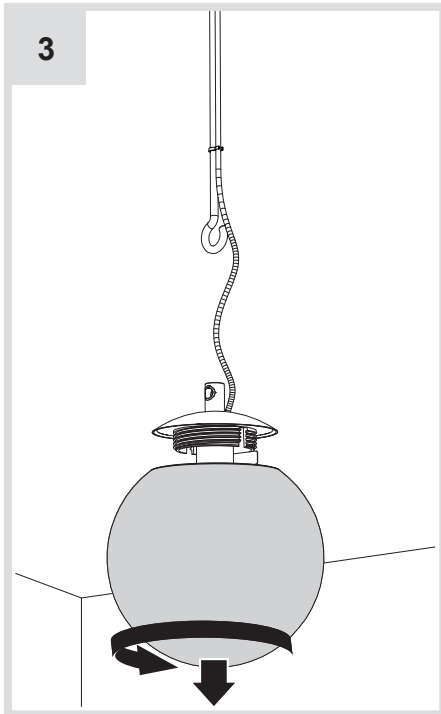
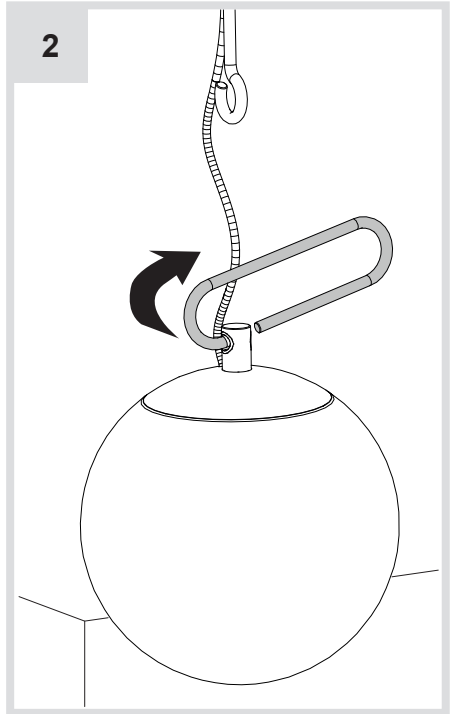
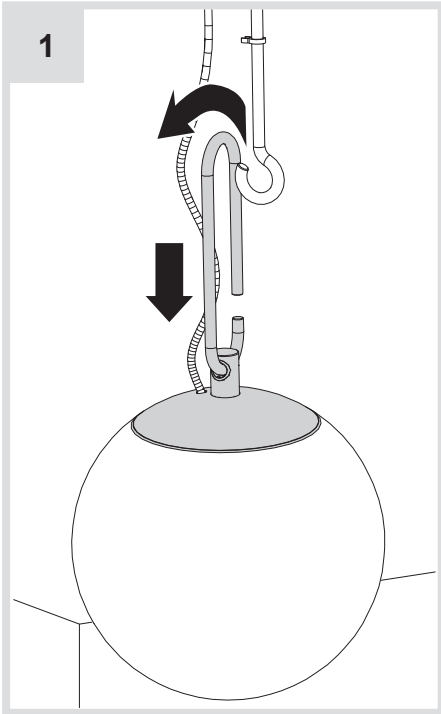
13



14







Artemide®



Artemide

via Bergamo, 18
20006 Pregnana M.se (MI)
ITALIA

tel. +39 02 935 181
fax +39 02 935 90 254
fax +39 02 935 90 496

www.artemide.com

VAT IT00846890150

cod. Y513001148A