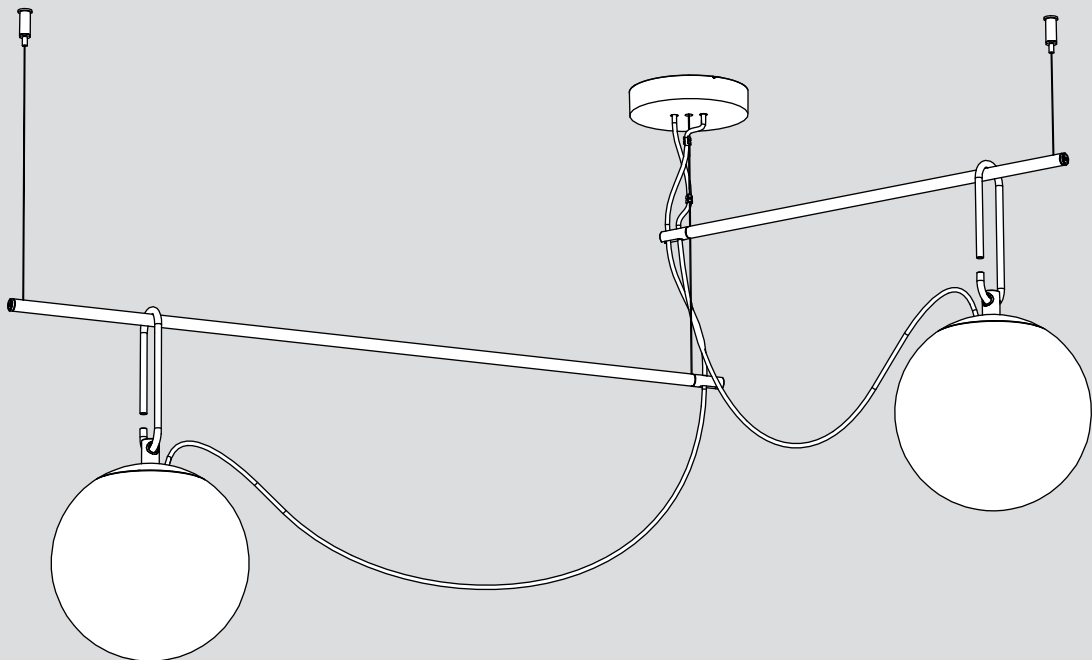


Artemide®

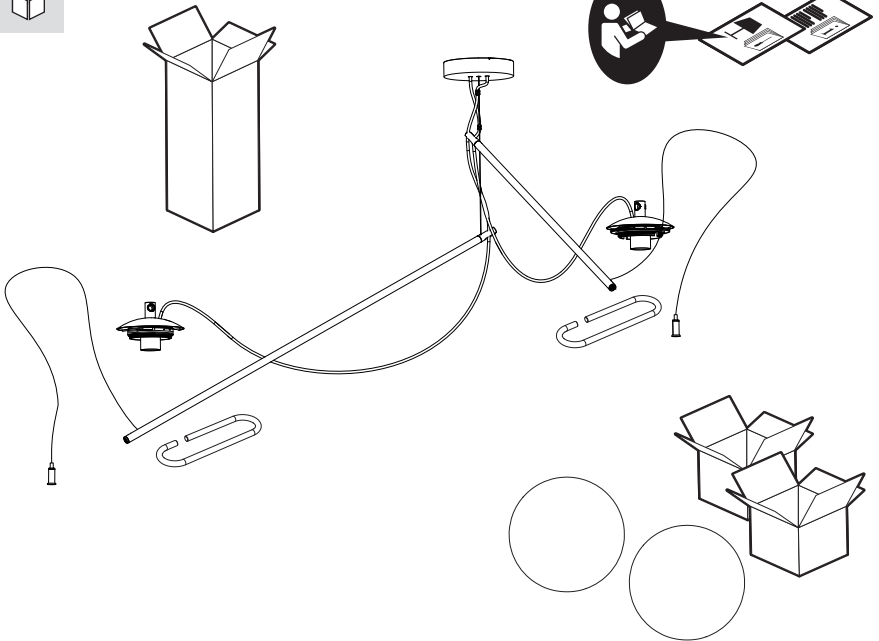
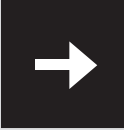
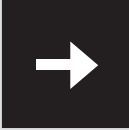
nh

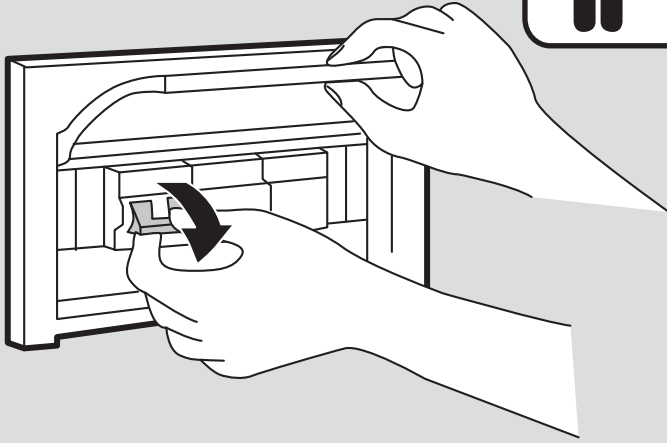
design
Neri & Hu



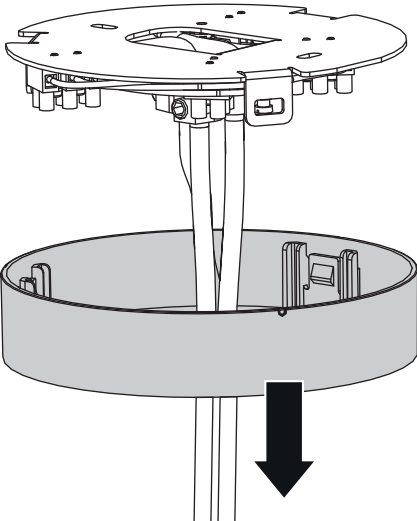


i

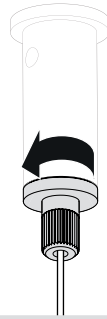




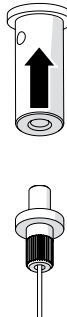
1



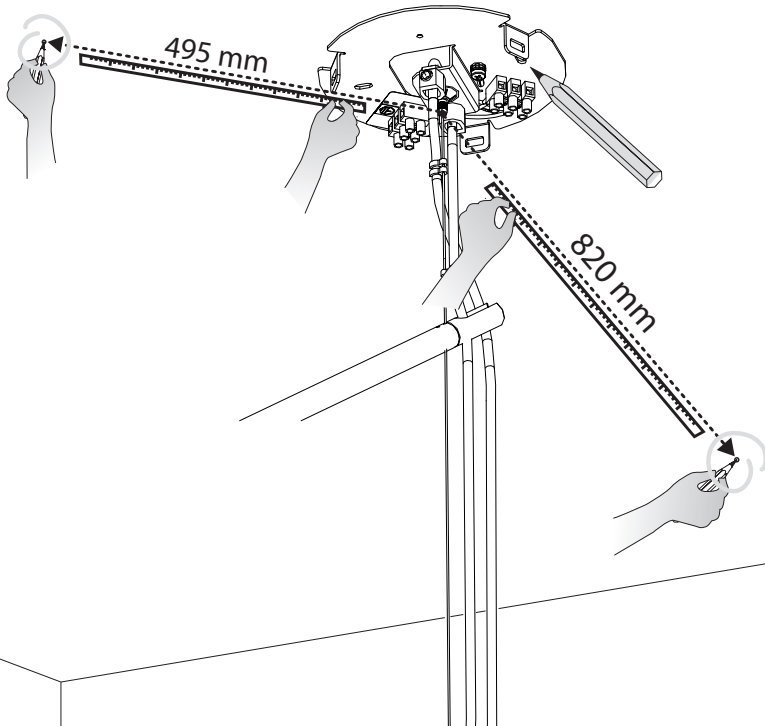
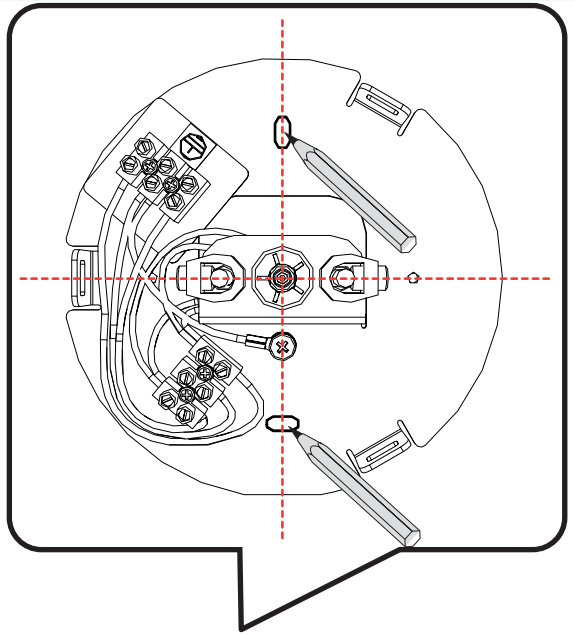
2



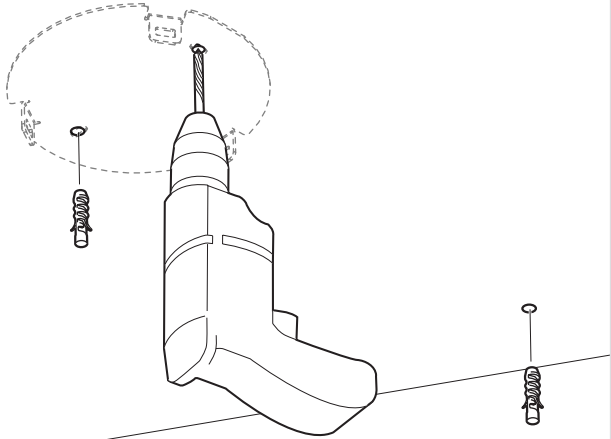
3



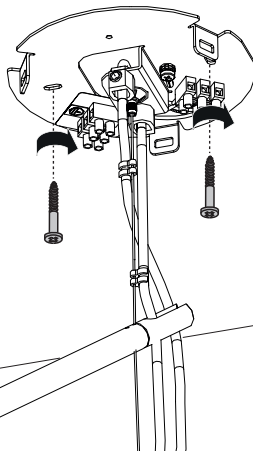
4



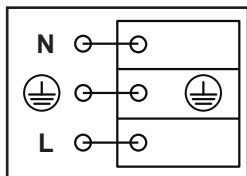
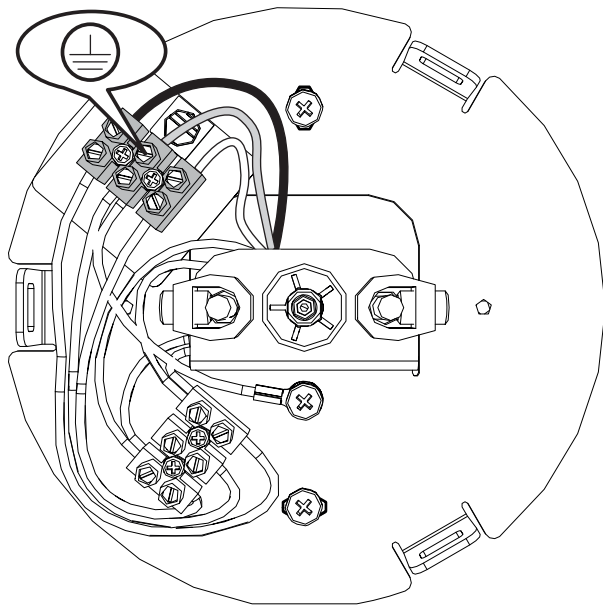
5



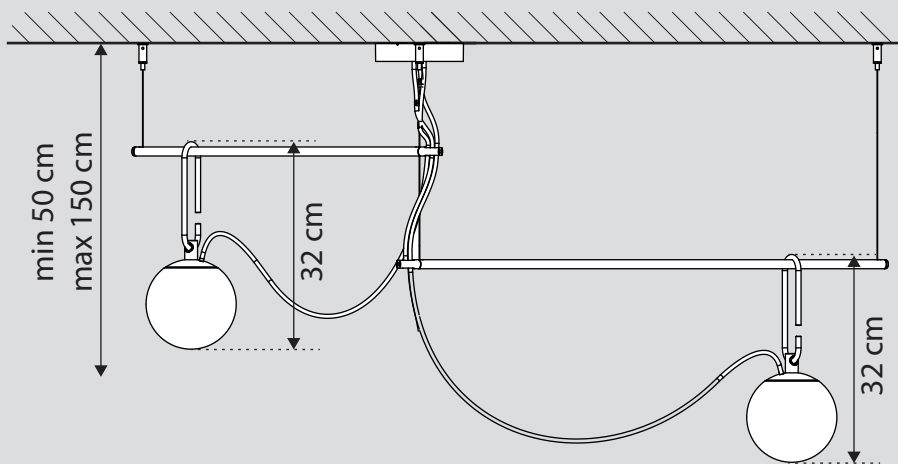
6

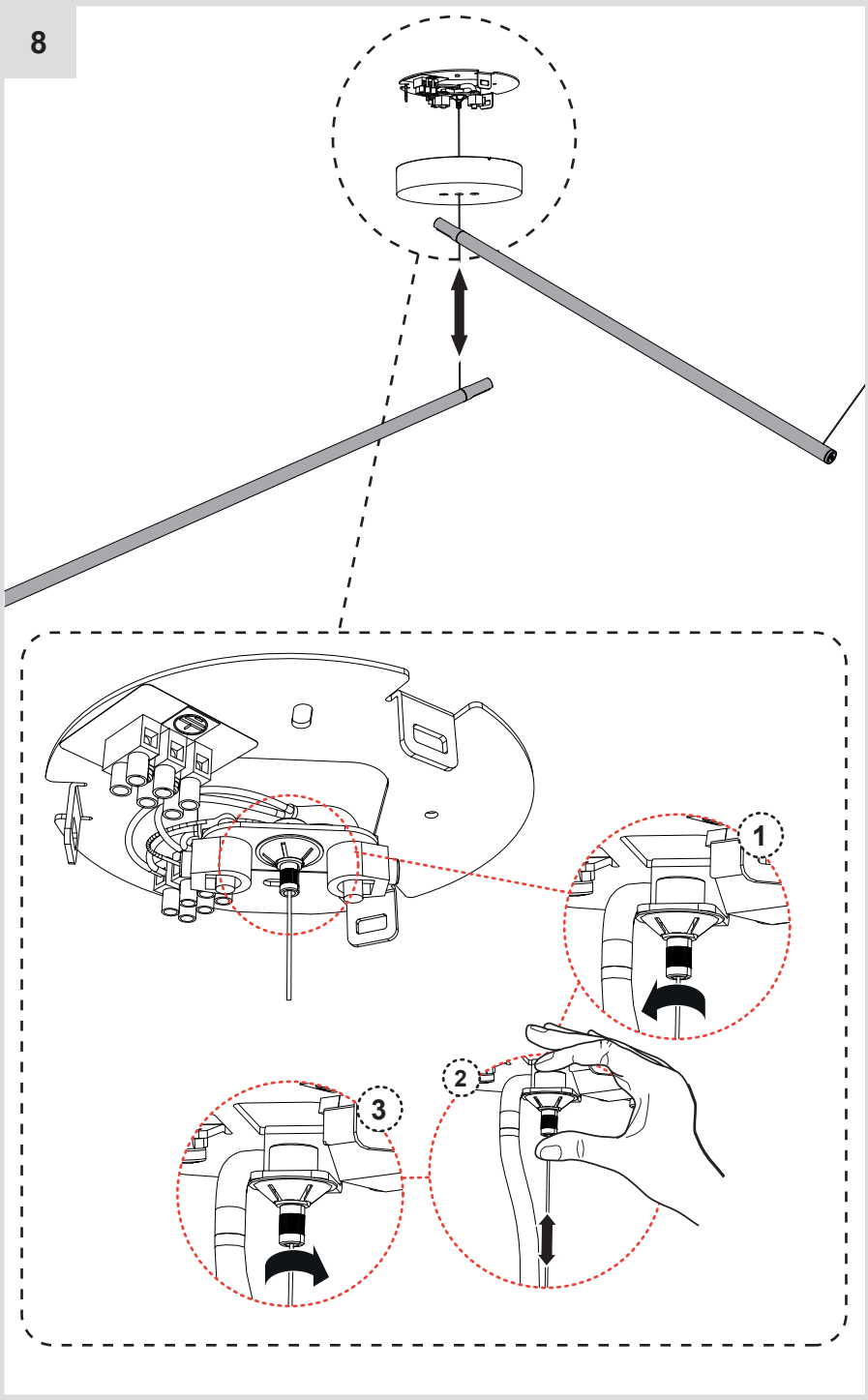


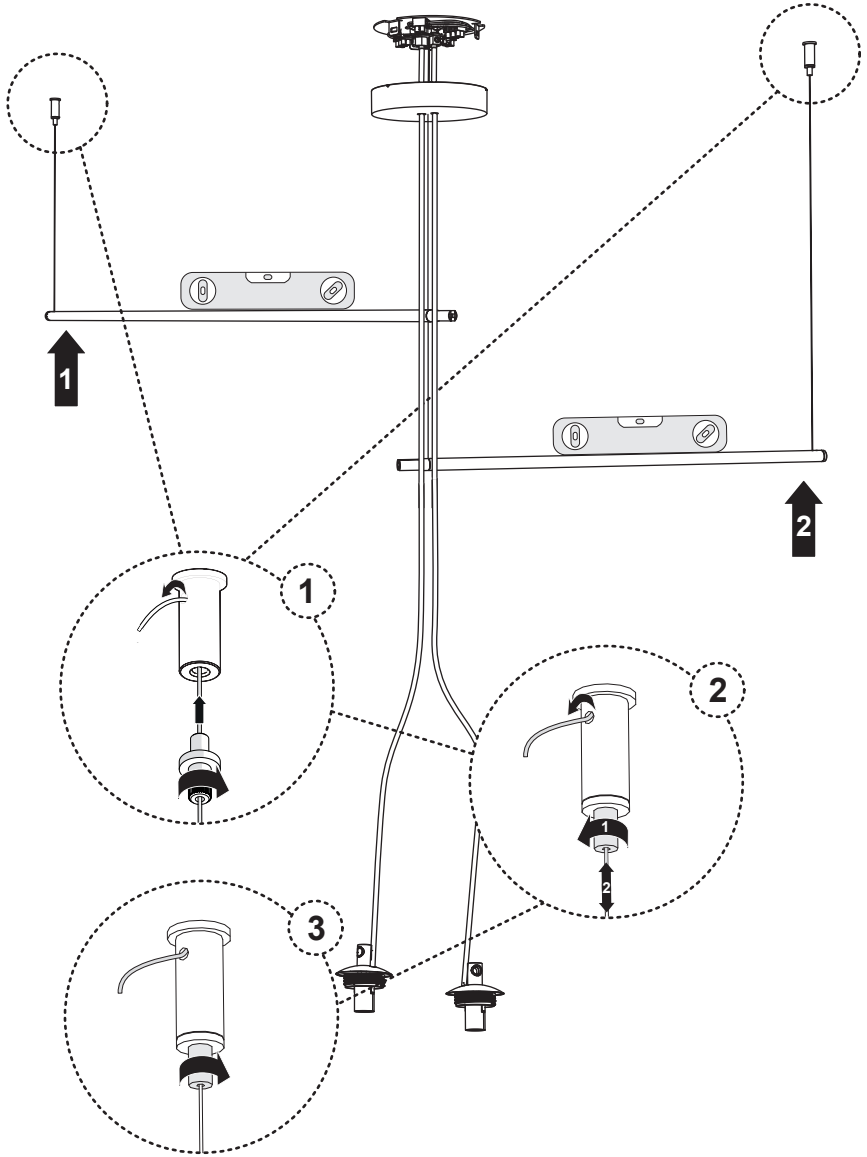
7



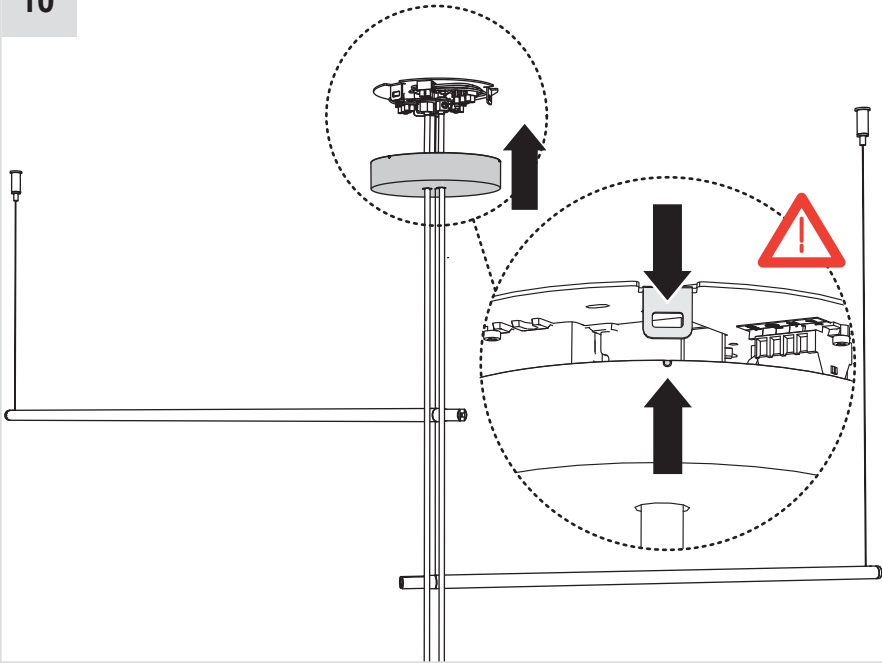
i



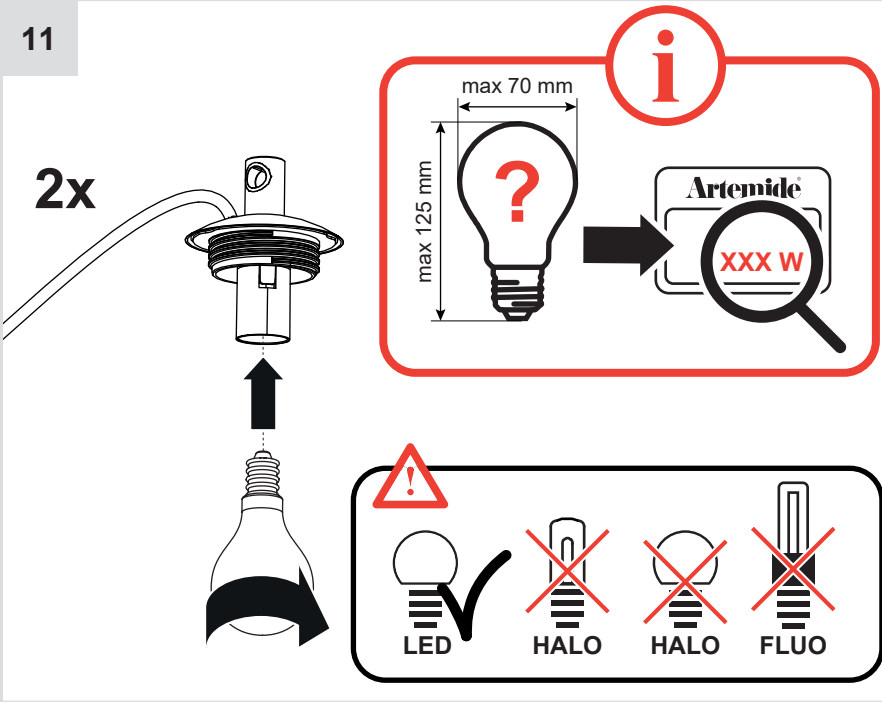




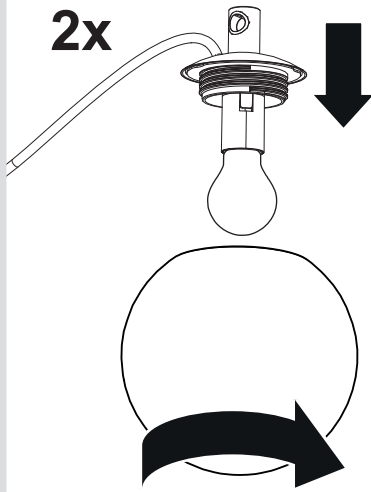
10



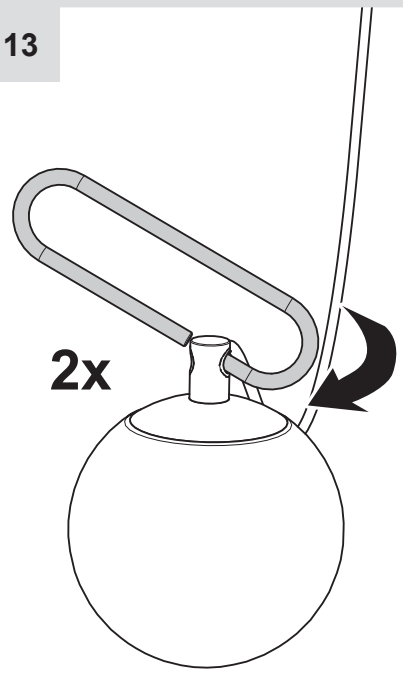
11



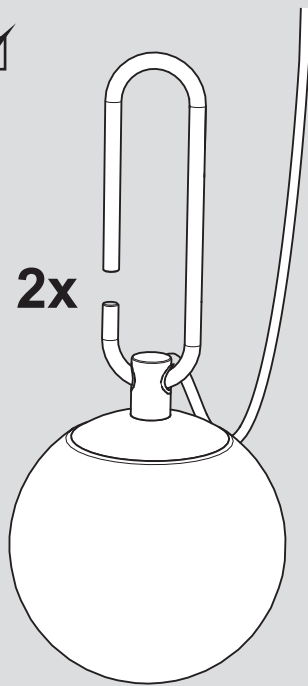
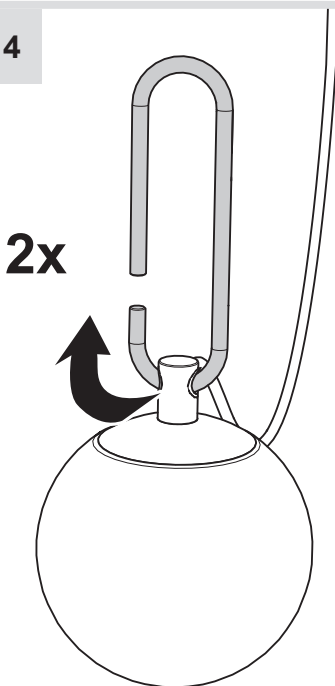
12



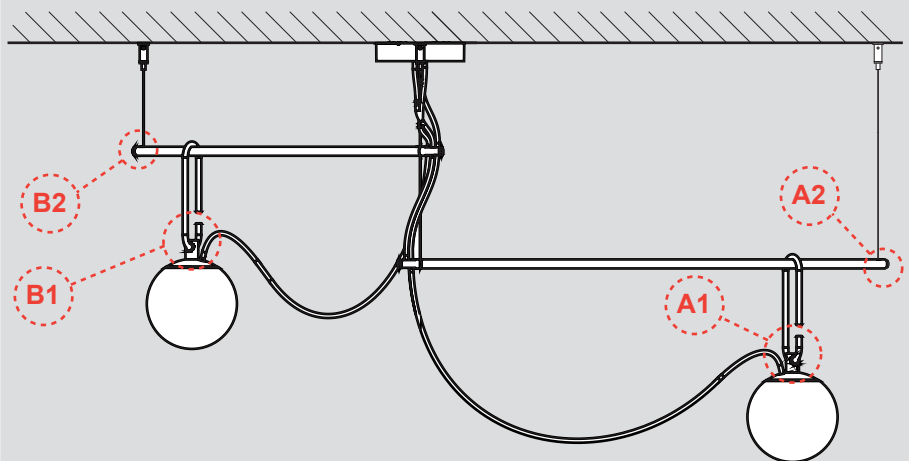
13



14

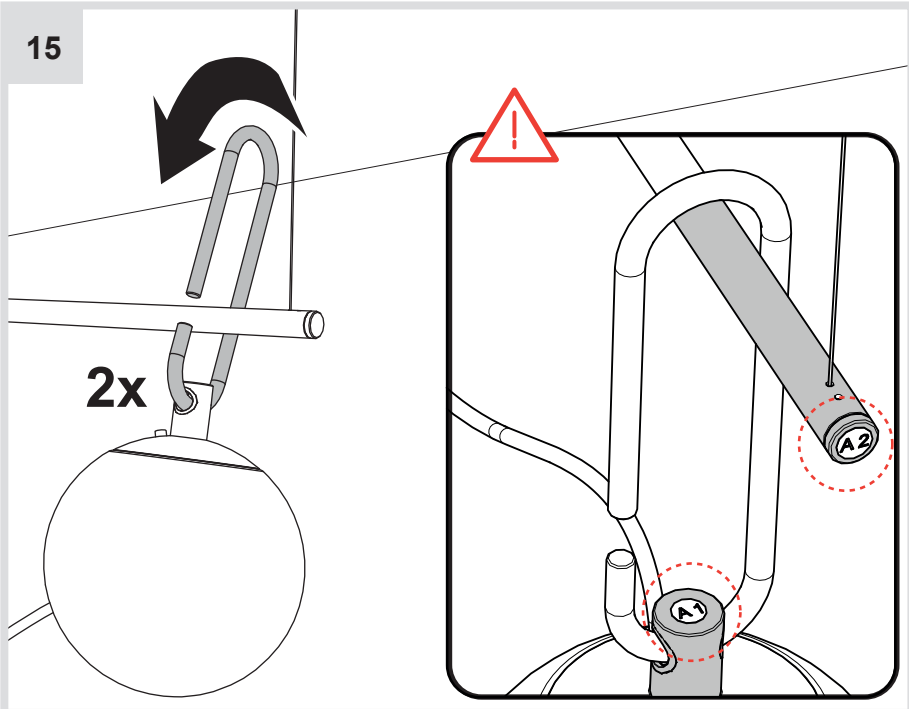


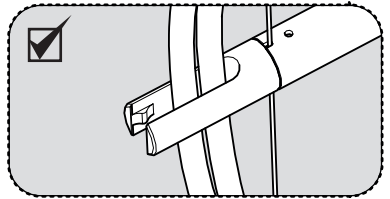
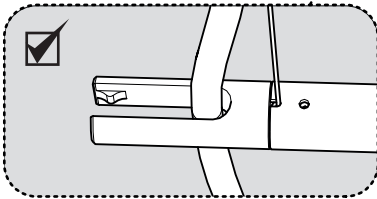
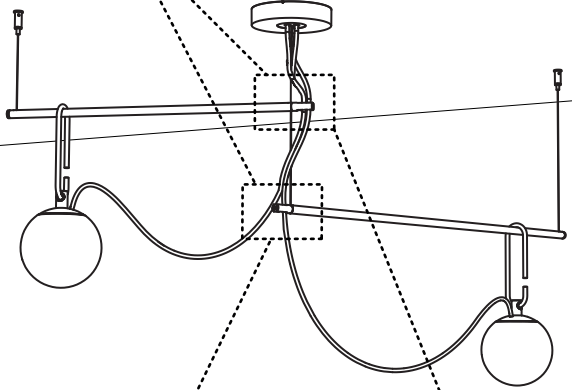
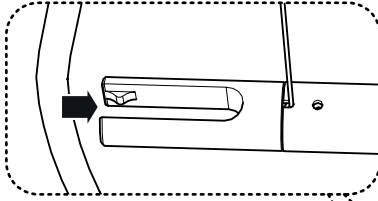
i



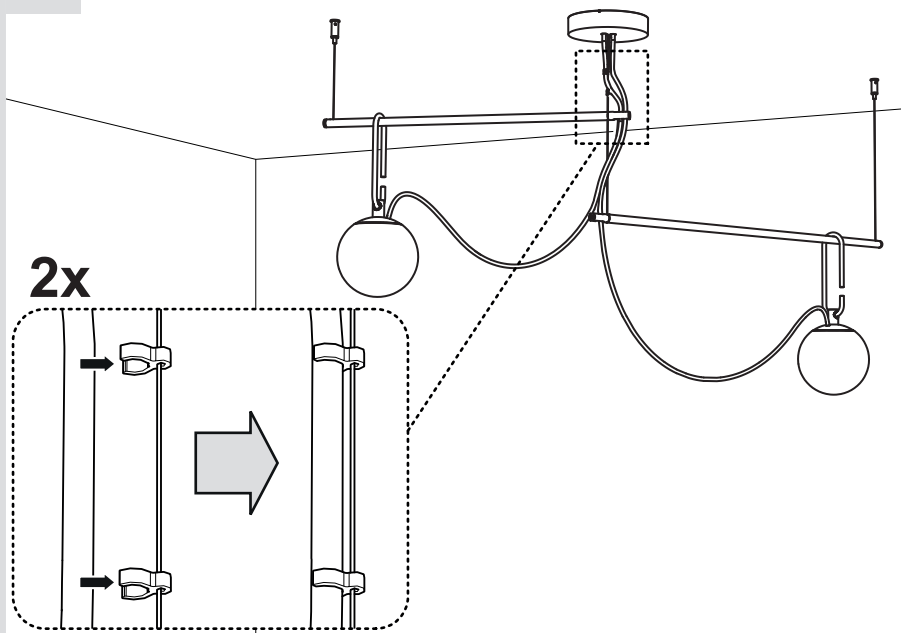
A1 ↔ **A2**
B1 ↔ **B2**

15

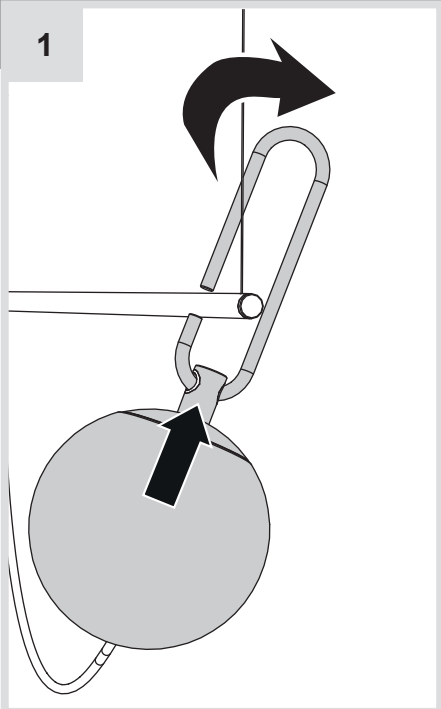




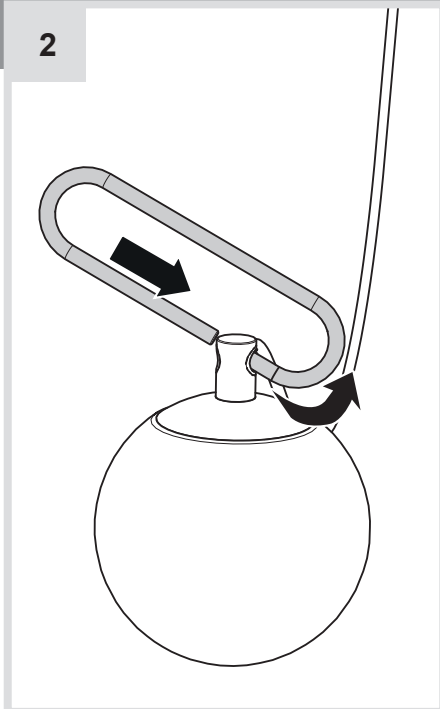
17



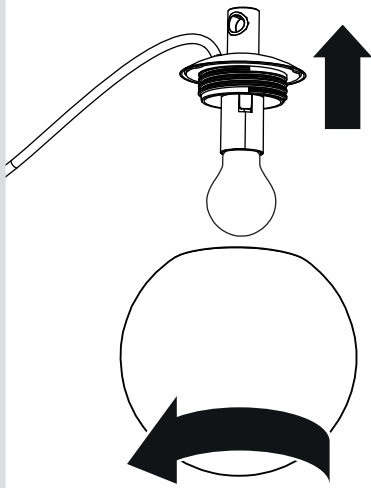
1



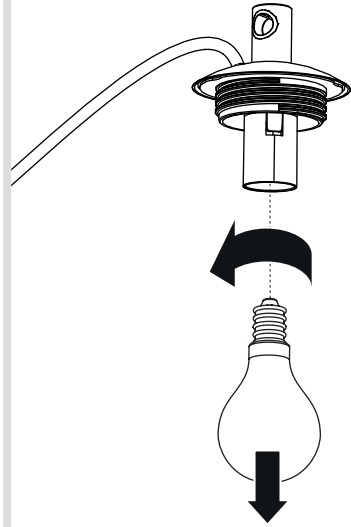
2



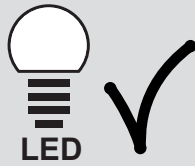
3



4



i



LED



HALO



HALO



FLUO



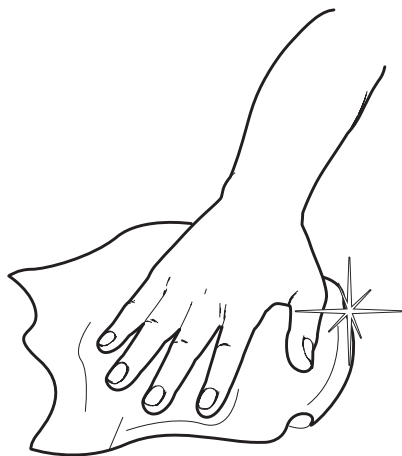
11

12

13

14

15



Artemide®



Artemide

via Bergamo, 18
20006 Pregnana M.se (MI)
ITALIA

tel. +39 02 935 181
fax +39 02 935 90 254
fax +39 02 935 90 496

www.artemide.com

VAT IT00846890150

cod. Y513001175A