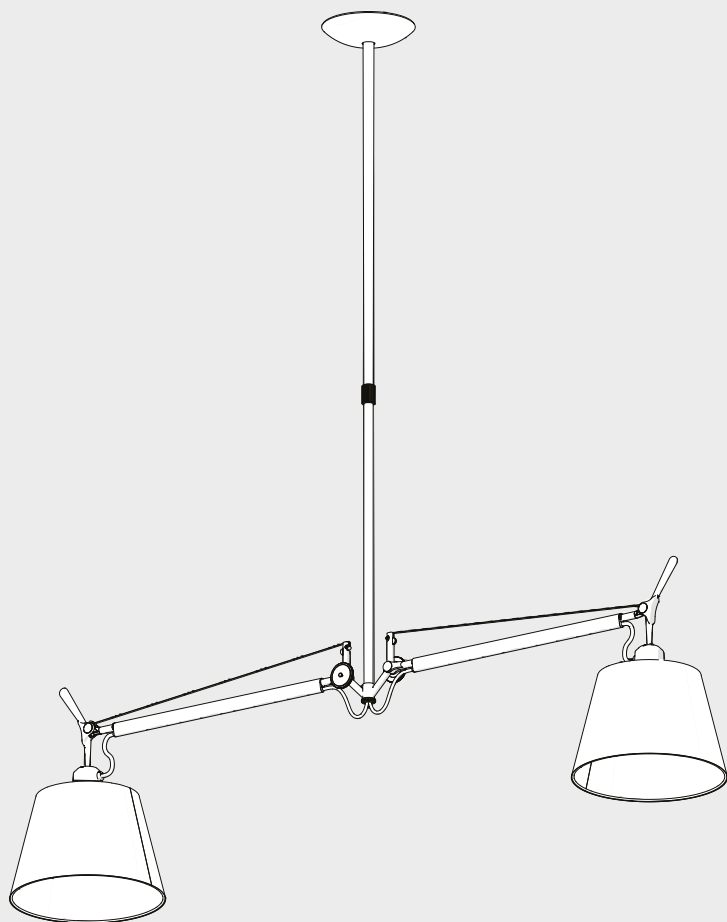


# Artemide®

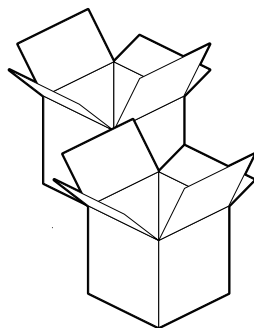
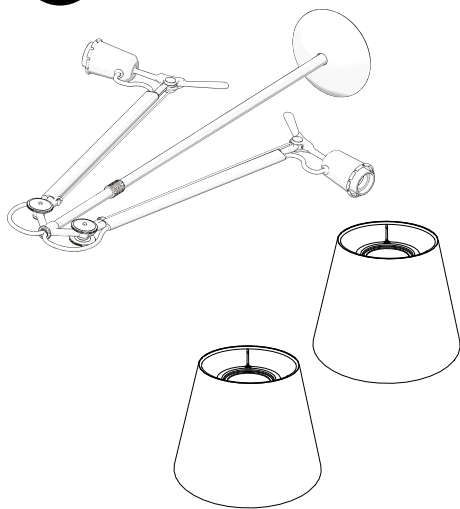
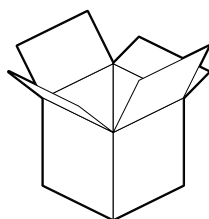
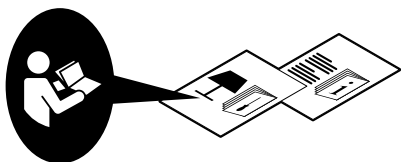
## TOLOMEO SOSPENSIONE DIFFUSORE

design  
M. De Lucchi  
G. Fassina

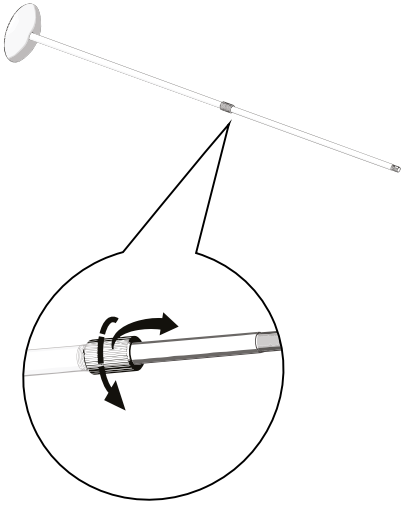




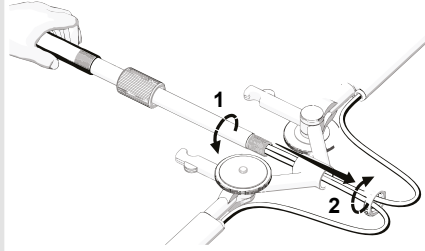
i



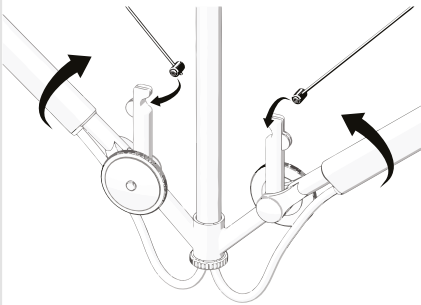
1



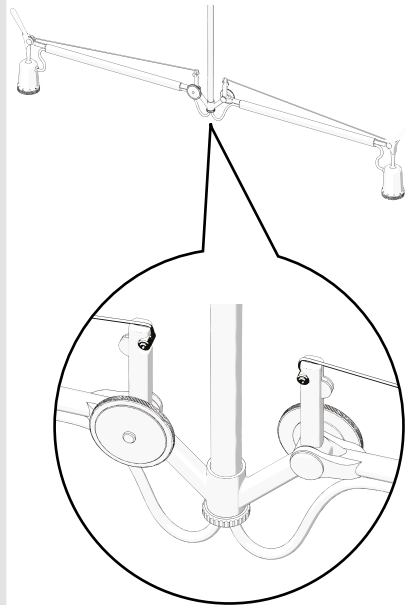
2



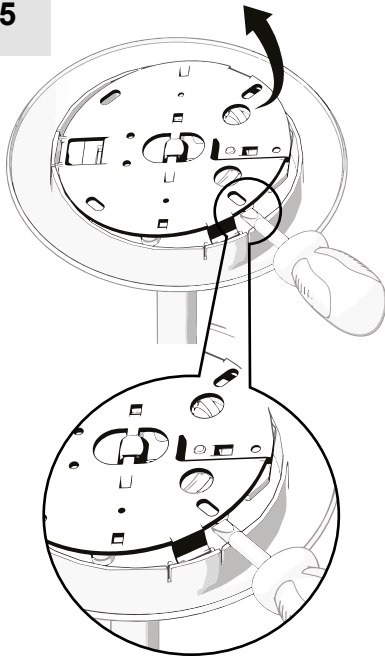
3



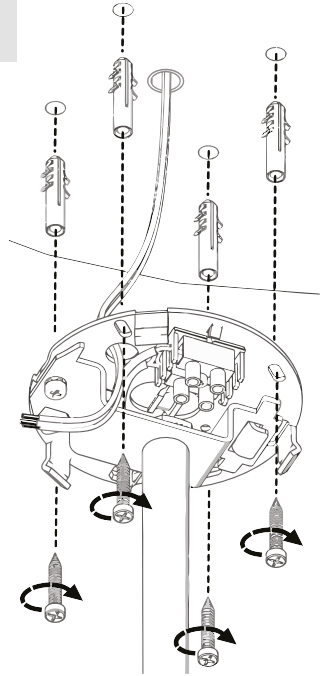
4



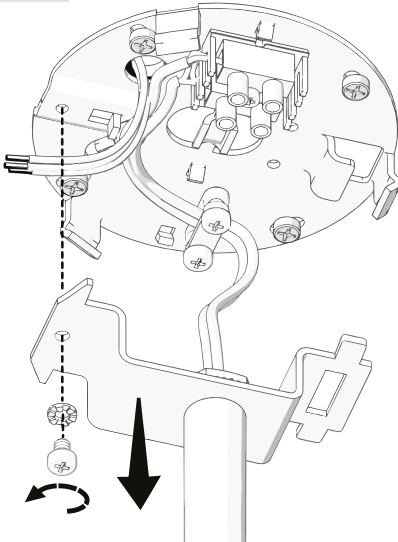
5



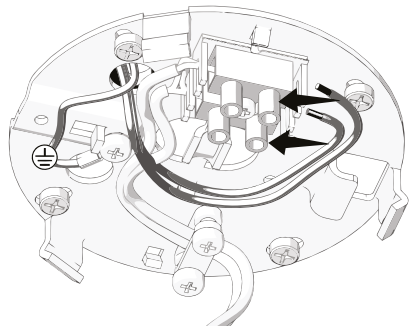
6



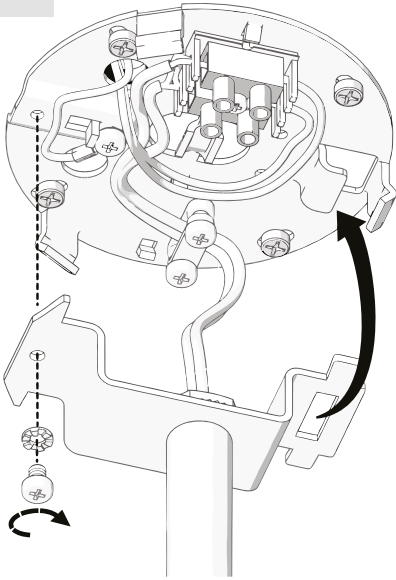
7



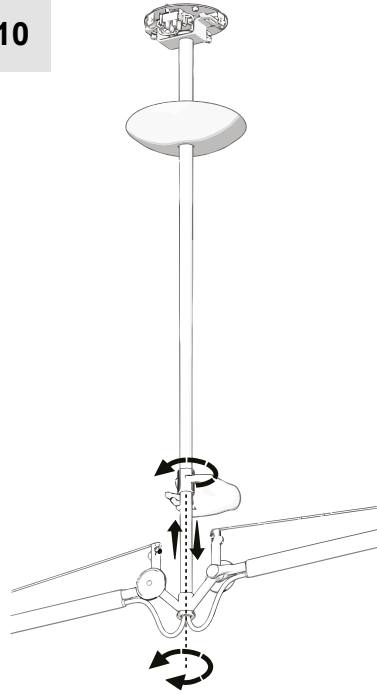
8



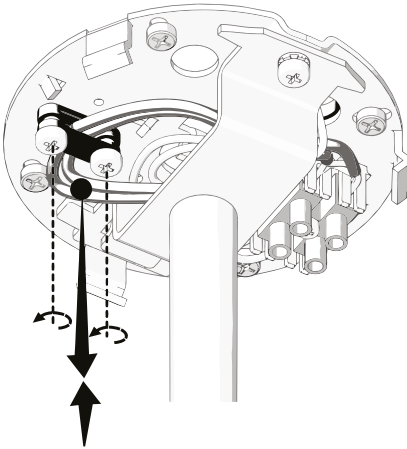
9



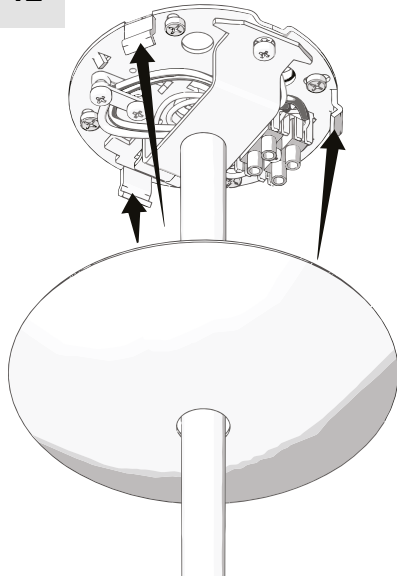
10



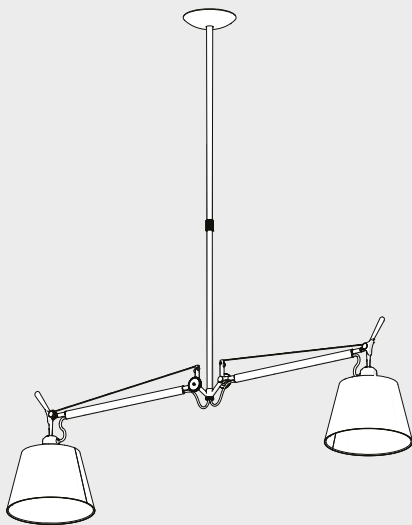
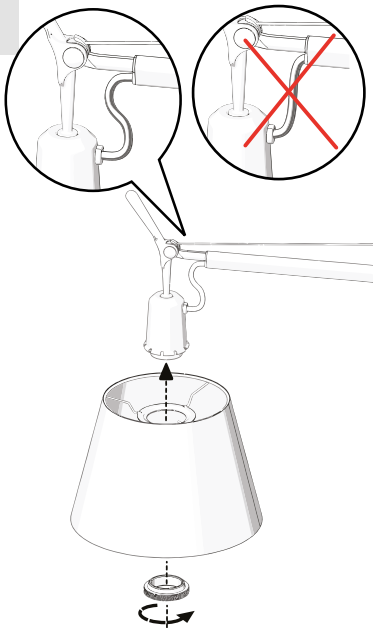
11



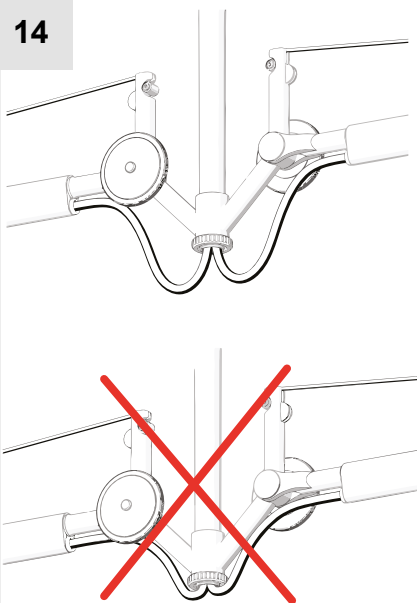
12



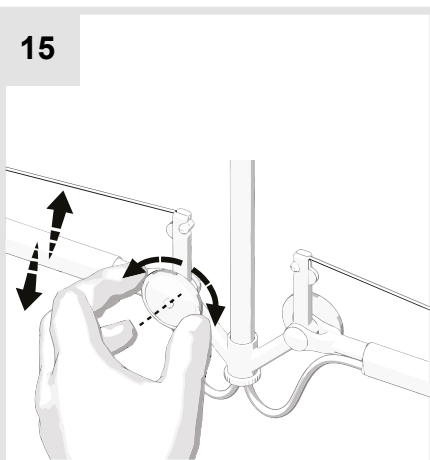
13



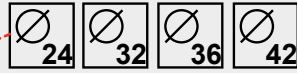
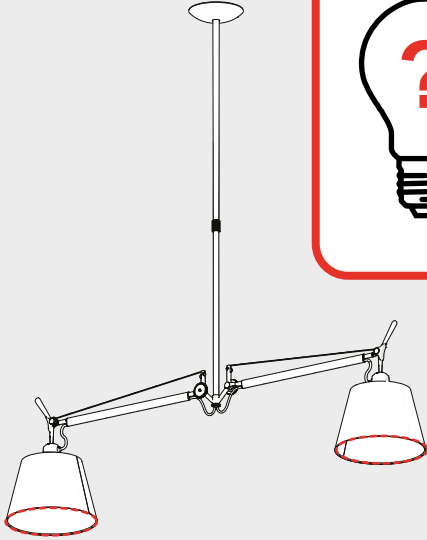
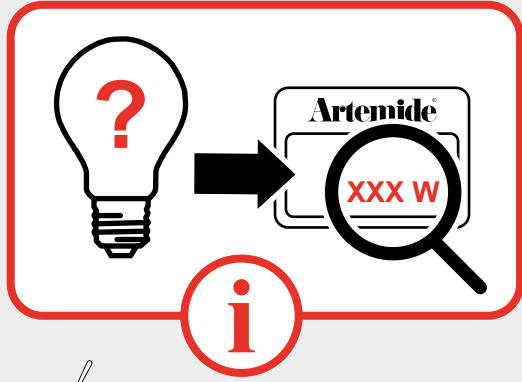
14



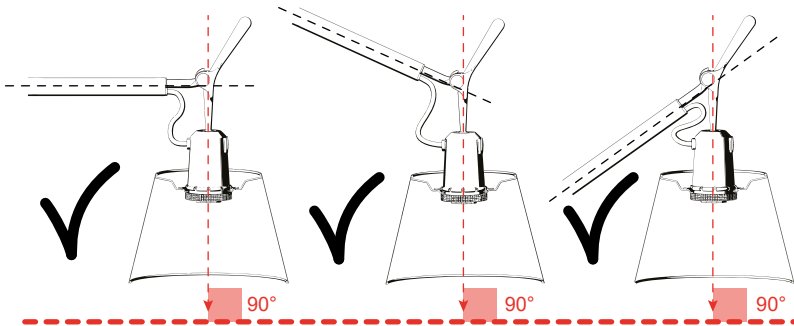
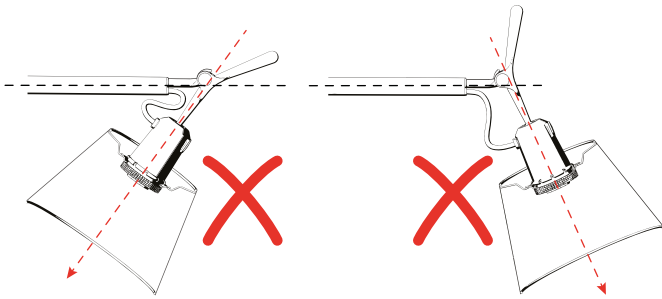
15



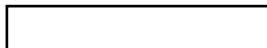
**i**



**i**



**Artemide®**



## **Artemide**

via Bergamo, 18  
20006 Pregnana M.se (MI)  
ITALIA

tel. +39 02 935 181  
fax +39 02 935 90 254  
fax +39 02 935 90 496

[www.artemide.com](http://www.artemide.com)

VAT IT00846890150

cod. Y513001197D