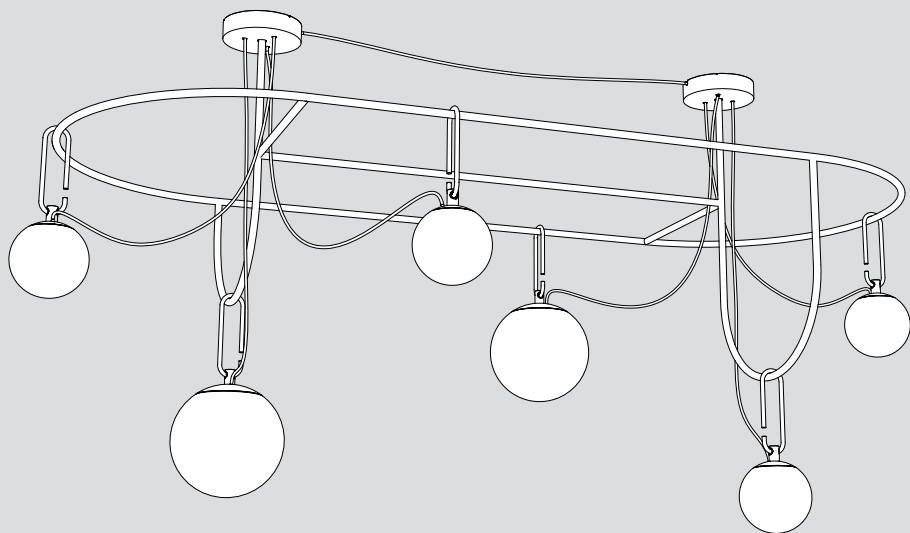


Artemide®

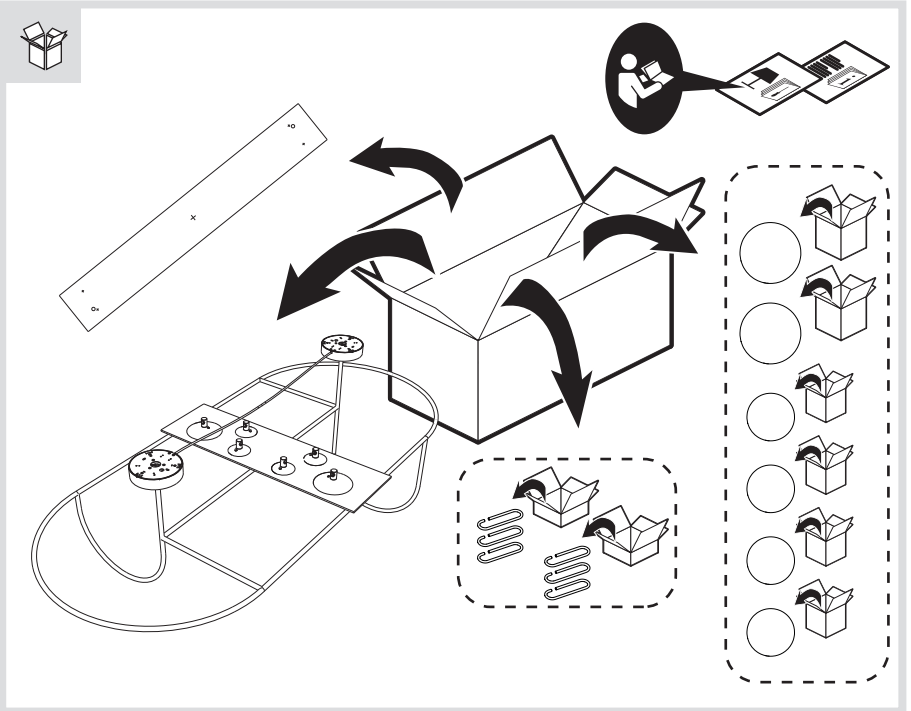
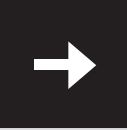
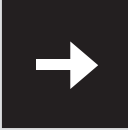
nh S5

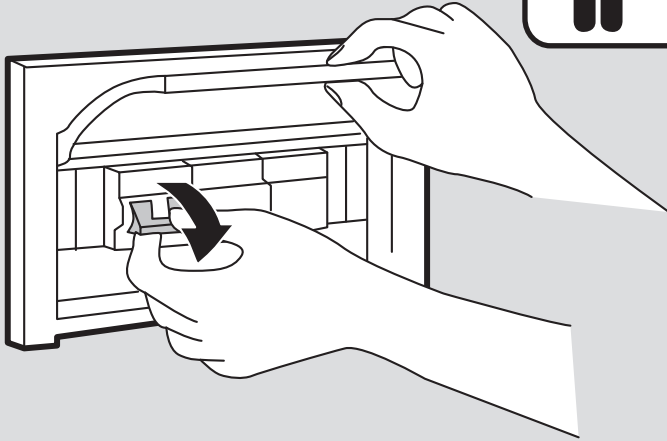
design
Neri & Hu



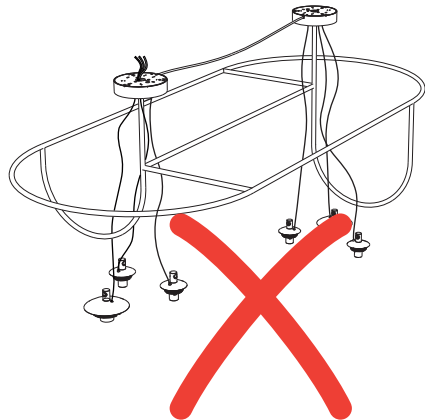
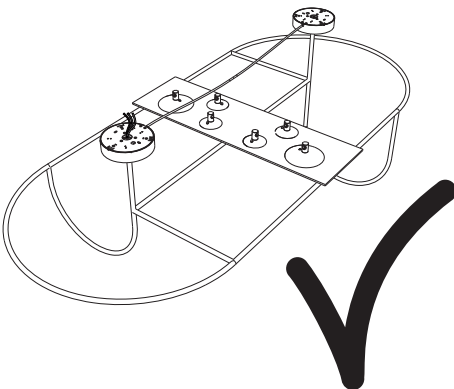


i

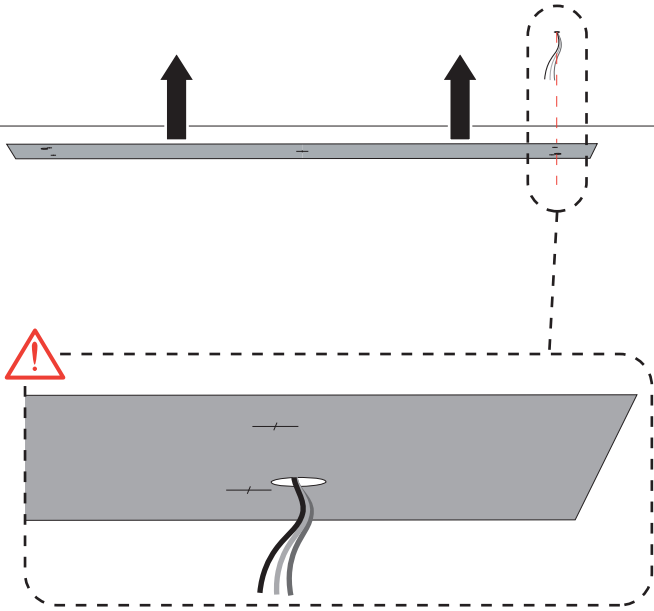




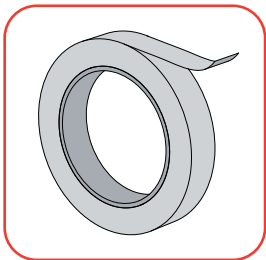
i



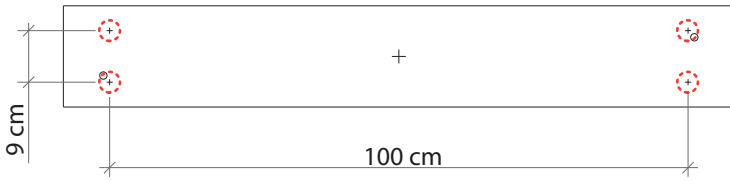
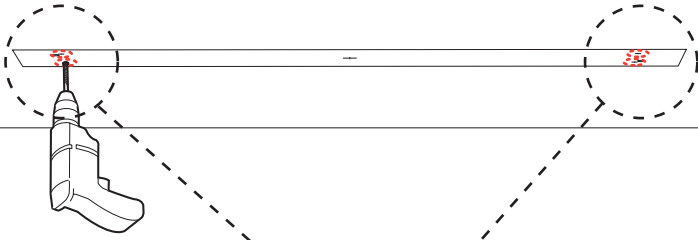
1



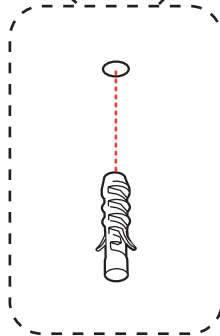
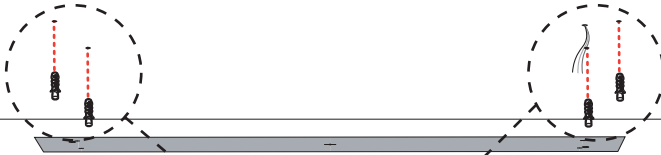
2



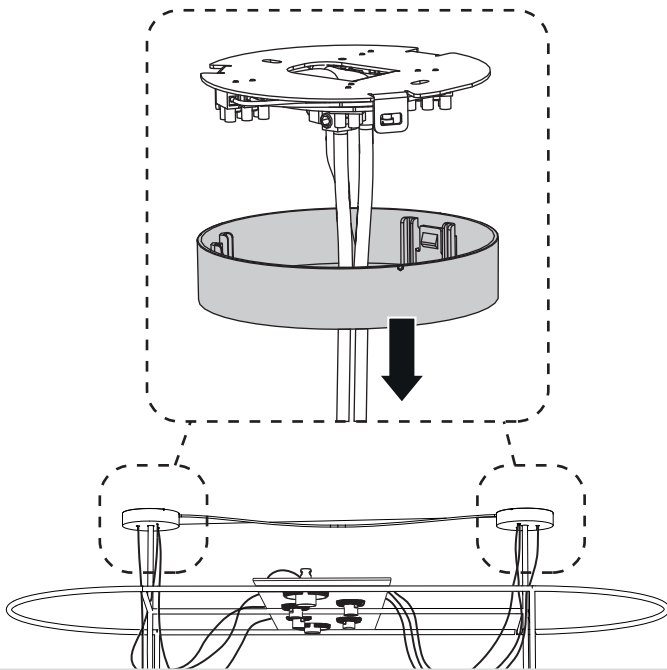
3



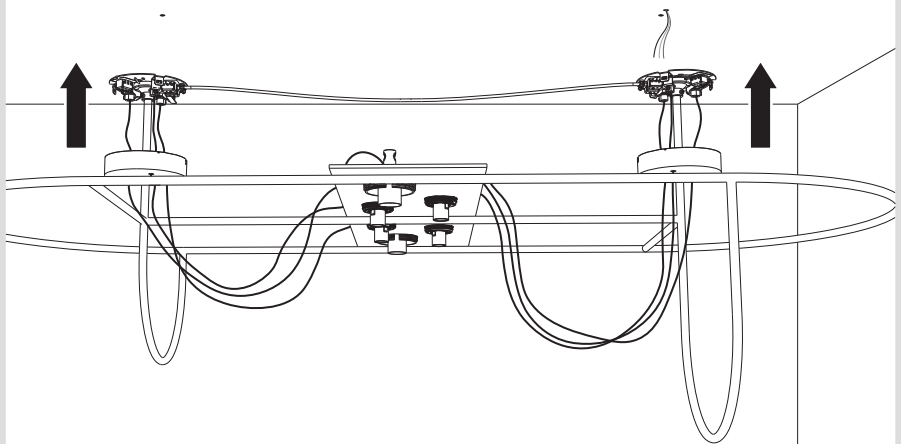
4



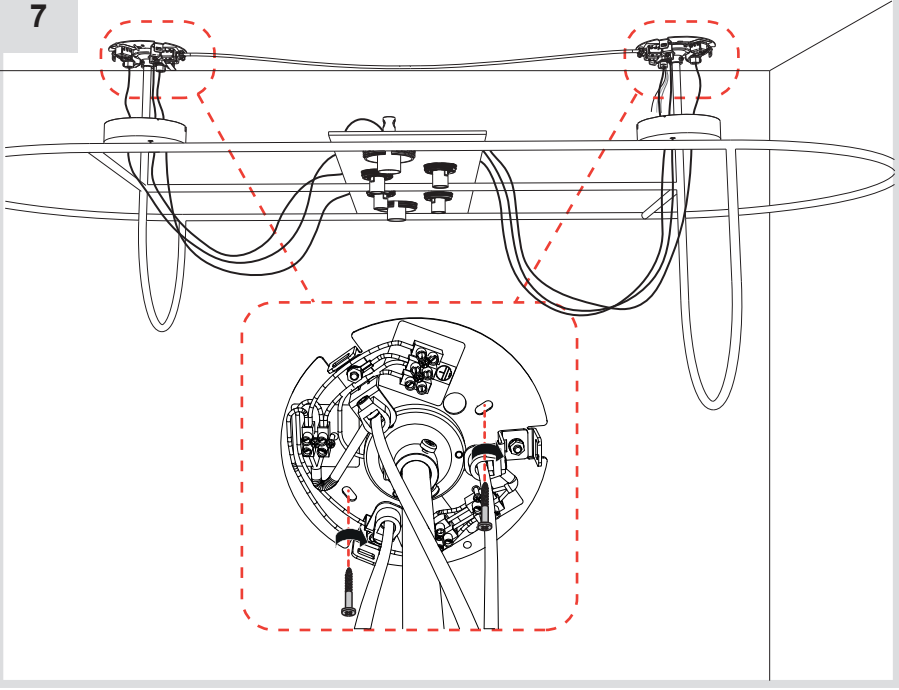
5



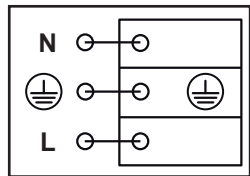
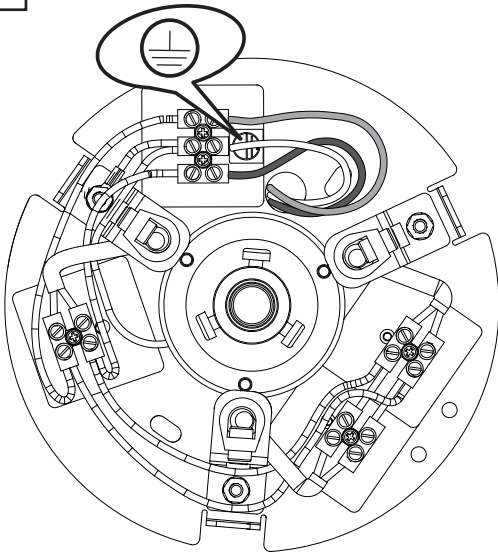
6



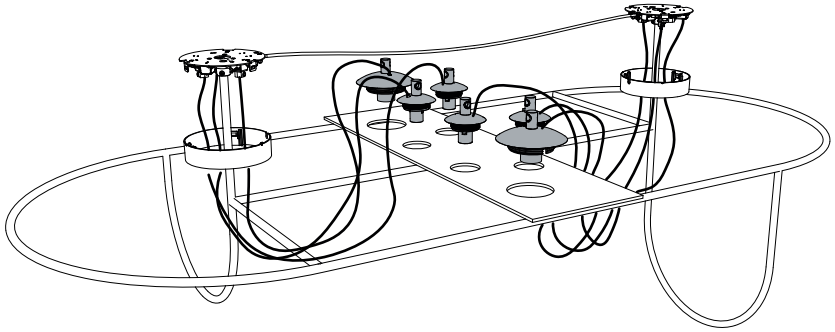
7



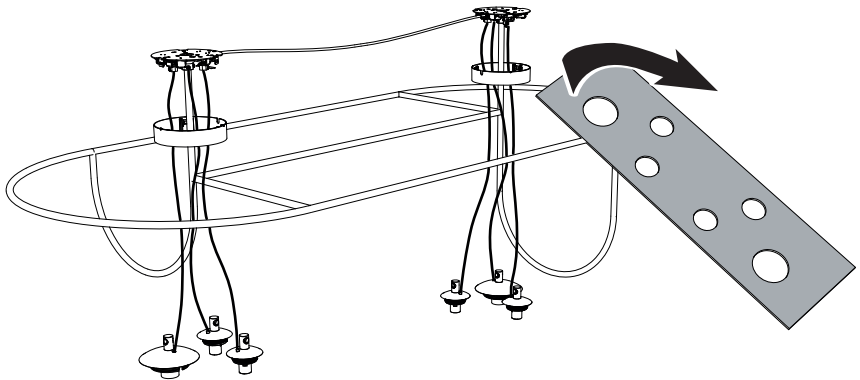
8



9



10

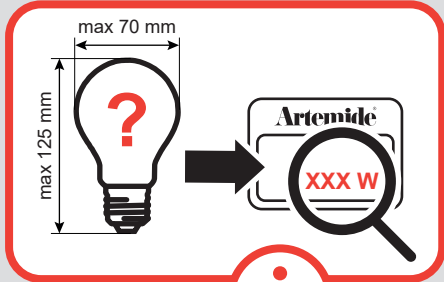
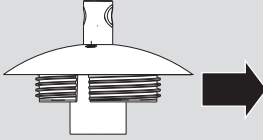




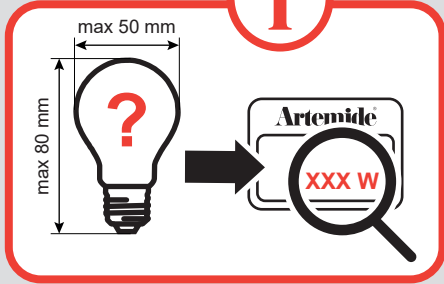
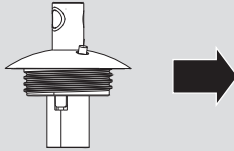
i



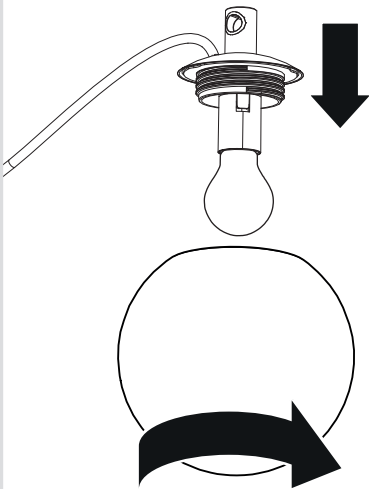
2 X



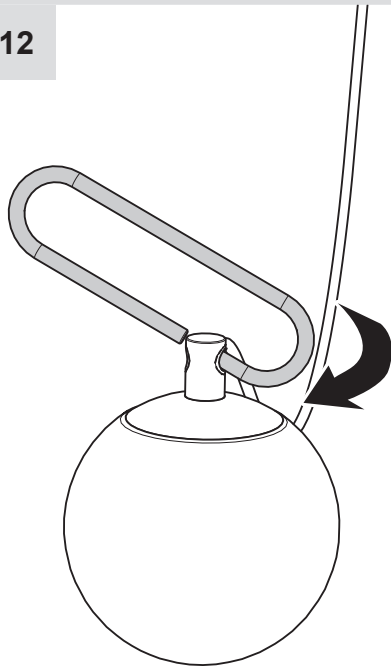
4 X



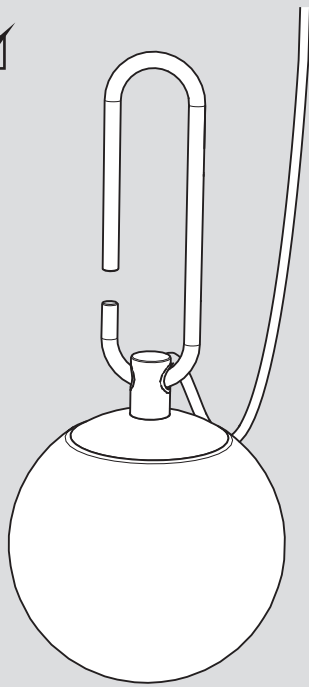
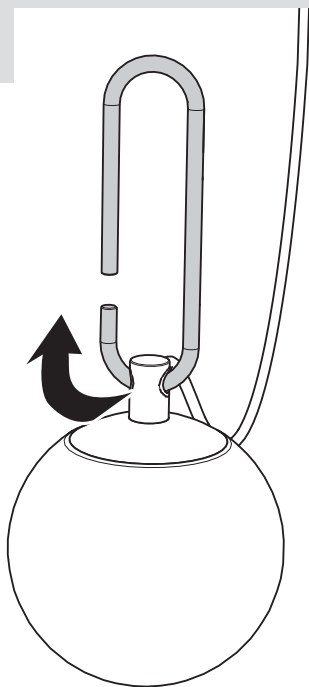
11



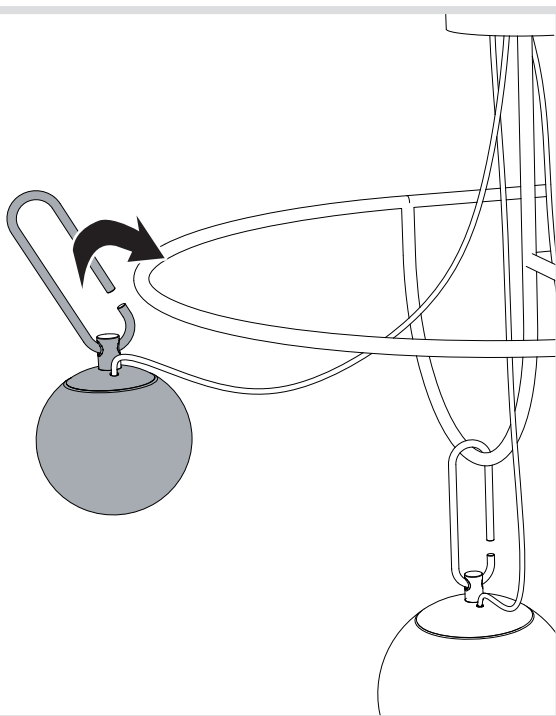
12

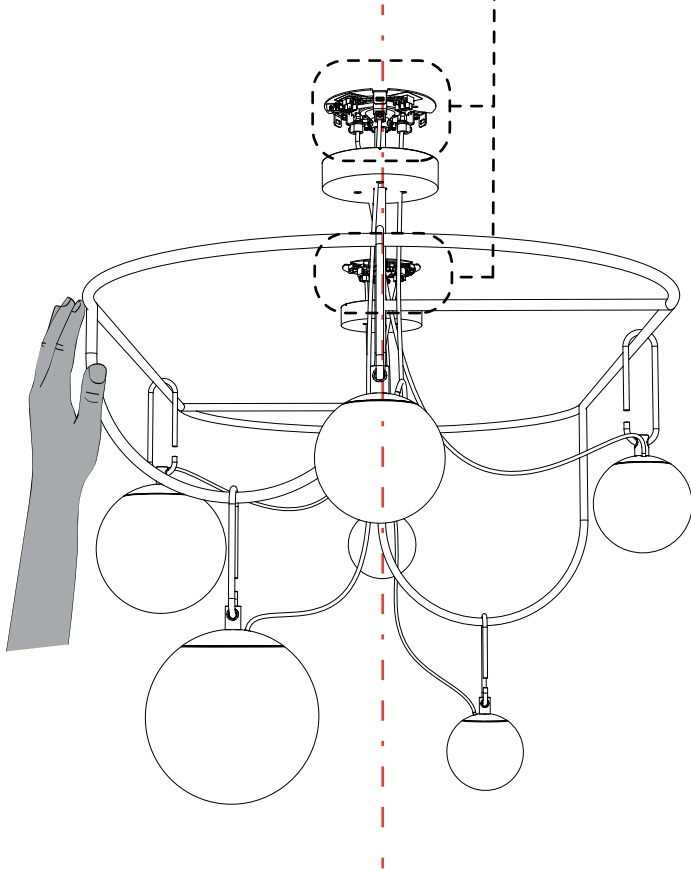
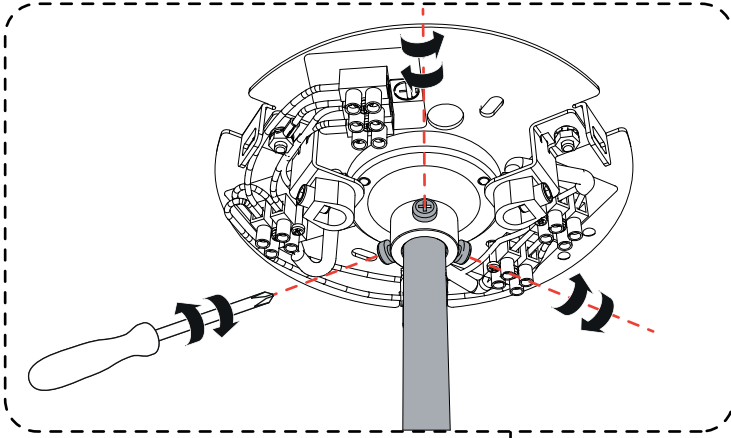


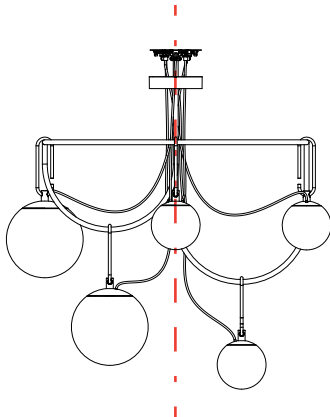
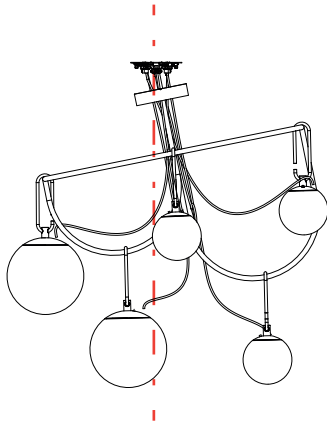
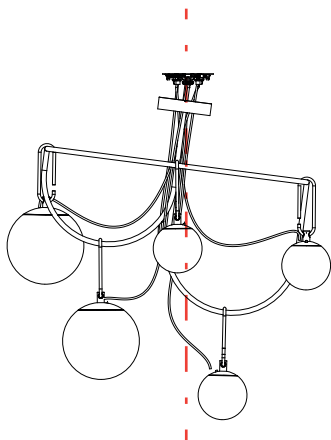
13

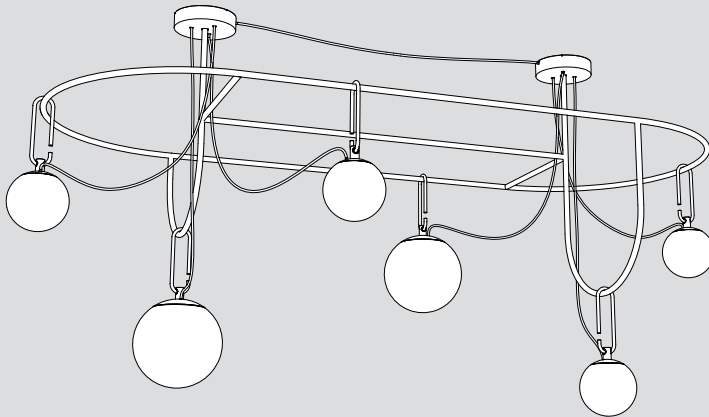
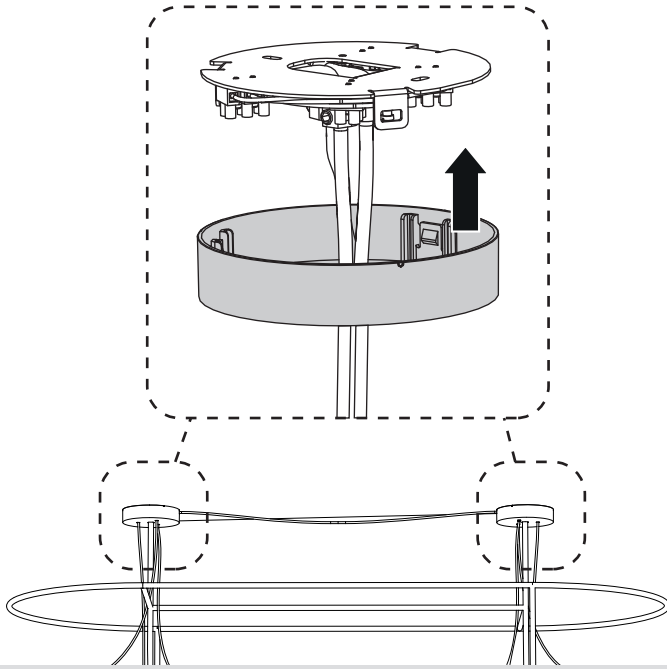


14



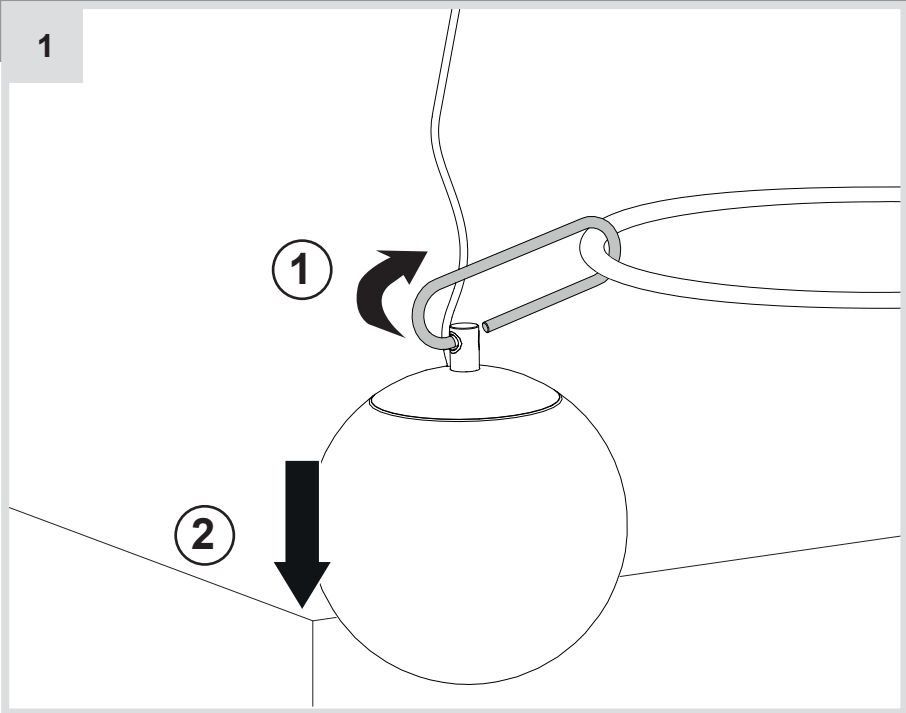




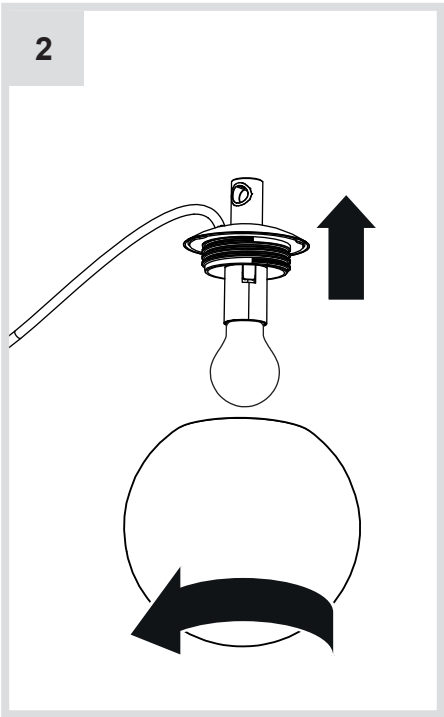




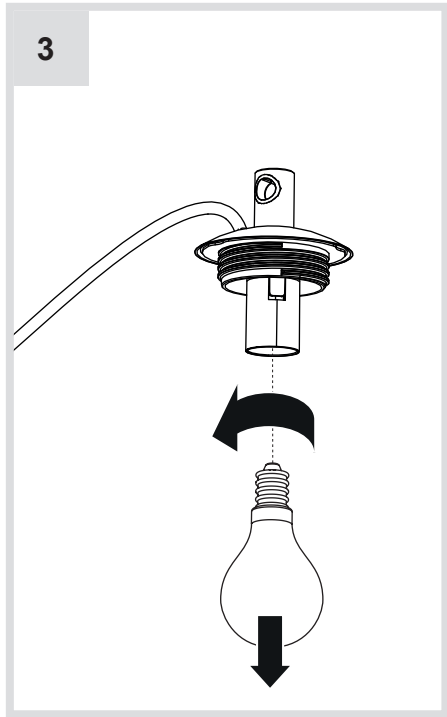
1



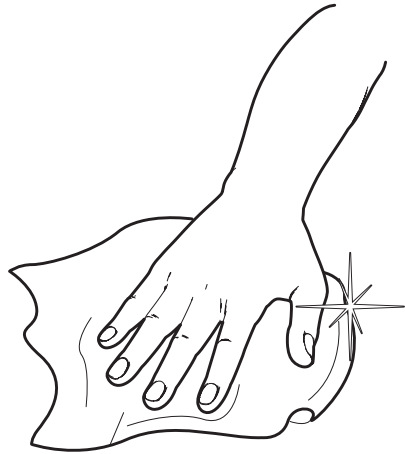
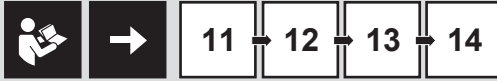
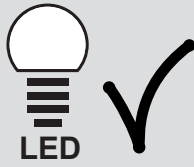
2



3



i



Artemide®



Artemide

via Bergamo, 18
20006 Pregnana M.se (MI)
ITALIA

tel. +39 02 935 181
fax +39 02 935 90 254
fax +39 02 935 90 496

www.artemide.com

VAT IT00846890150

cod. Y513001210B