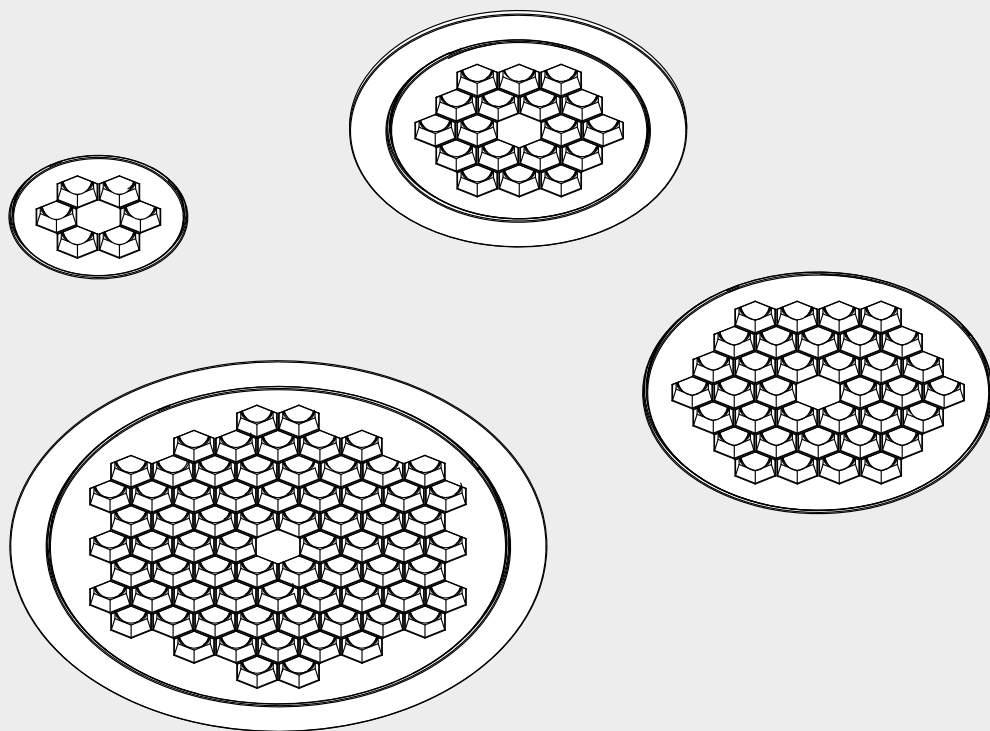


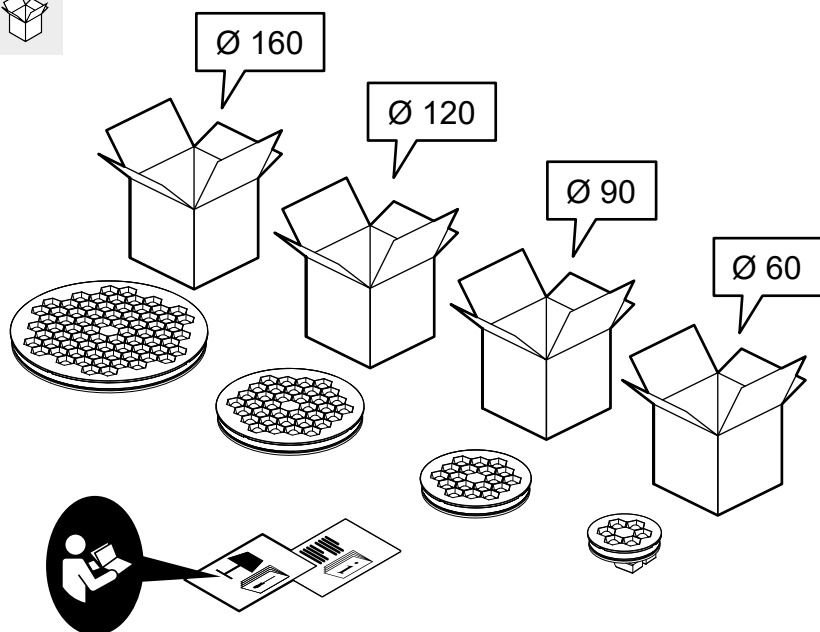
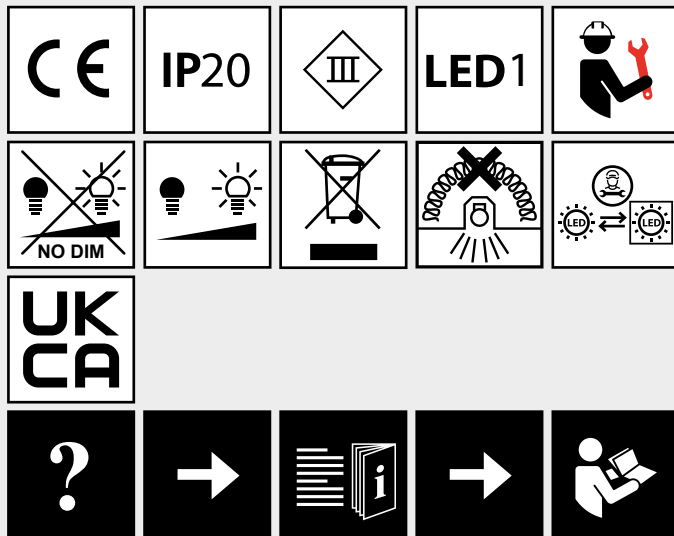
HELGOLAND RECESSED

design
Carlotta de Bevilacqua



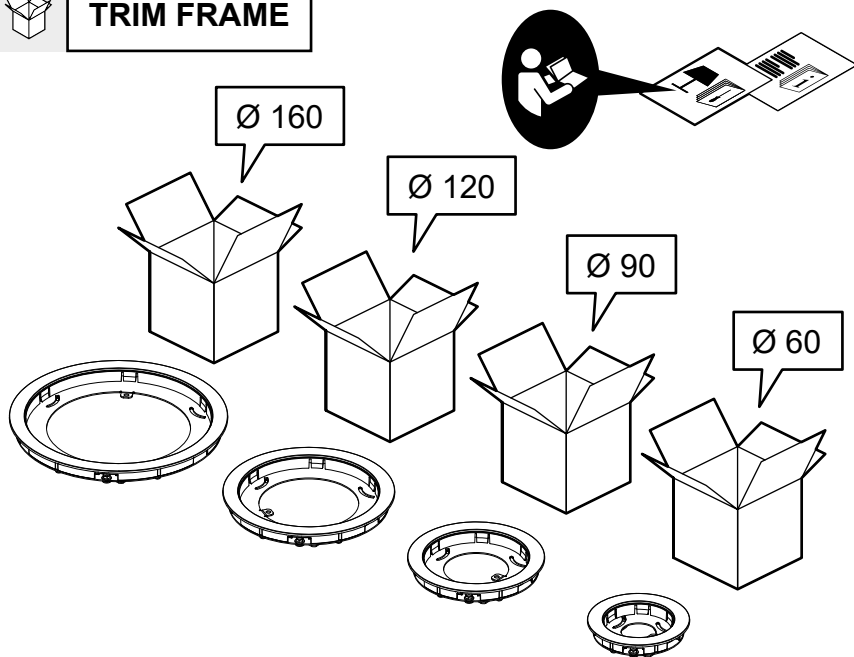


i

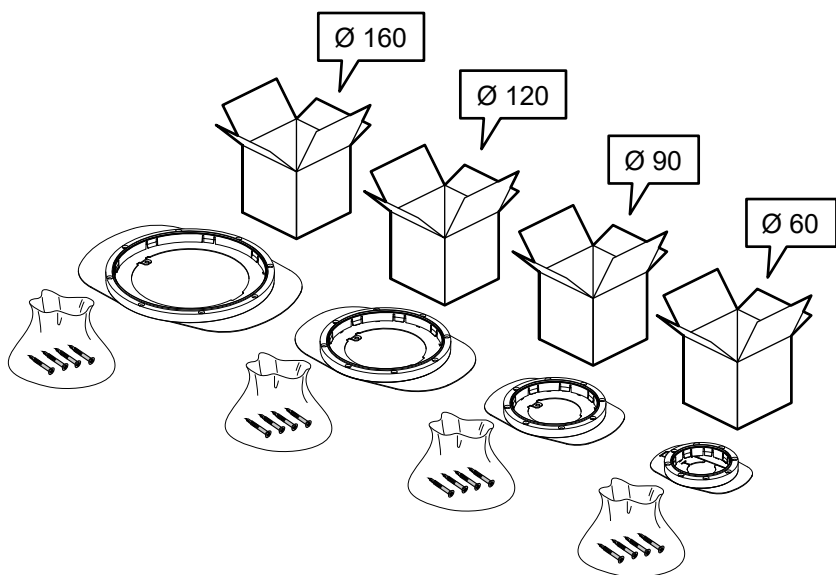




TRIM FRAME

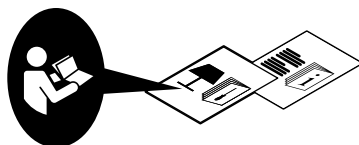
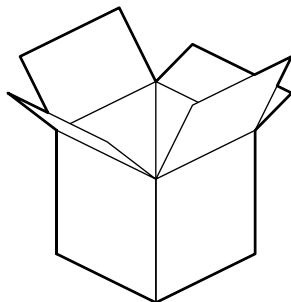
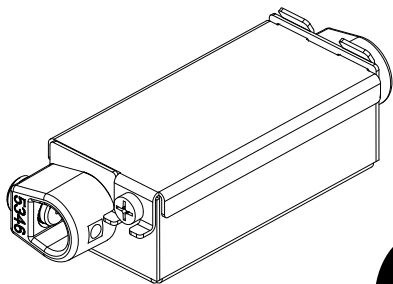


TRIMLESS FRAME

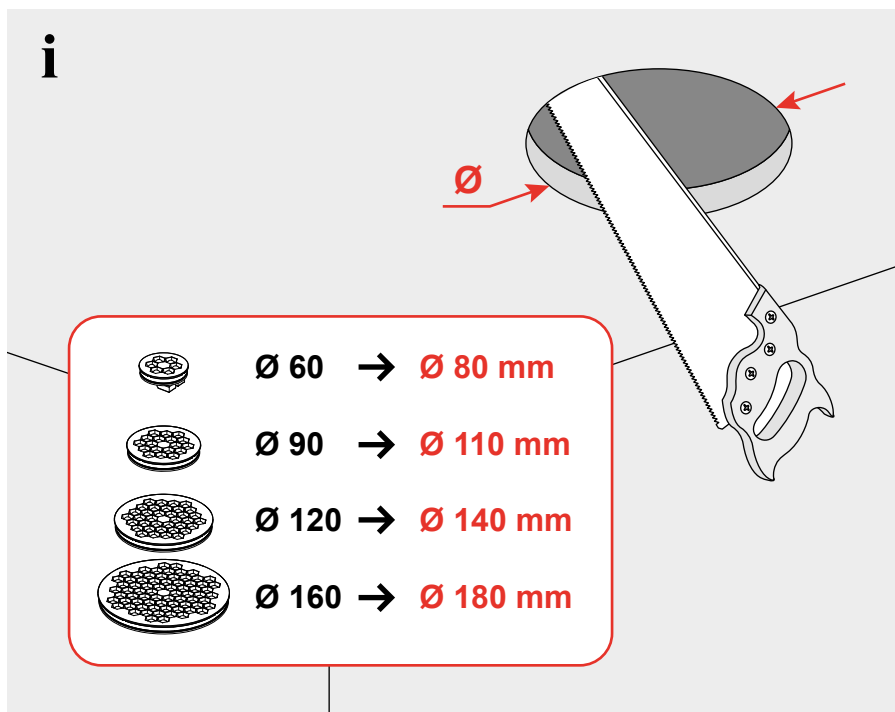
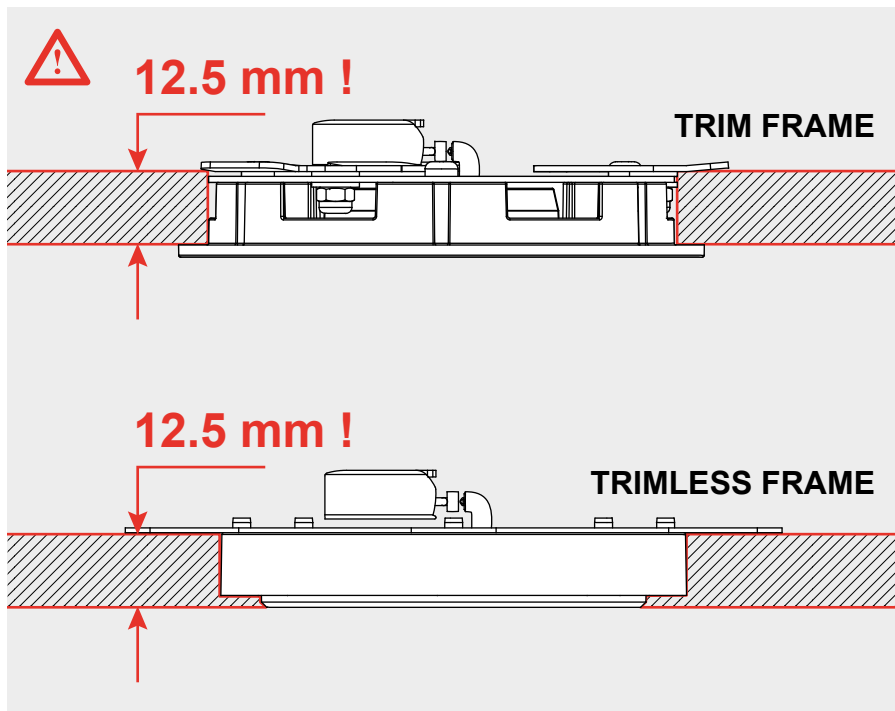


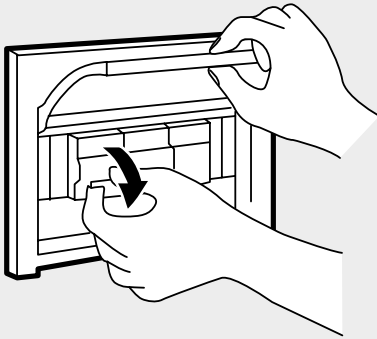


US / CANADA ONLY



**EU / WORLDWIDE /
US / CANADA**

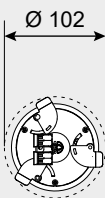




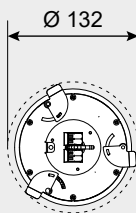
TRIM FRAME

i

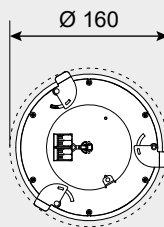
Ø 60



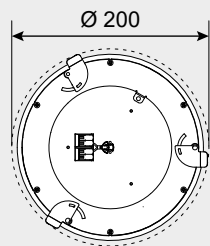
Ø 90



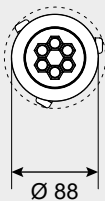
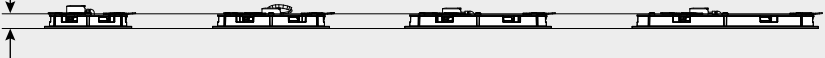
Ø 120



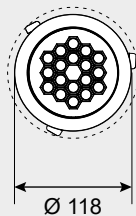
Ø 160



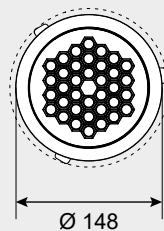
12.5



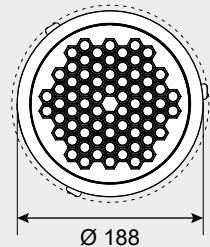
Ø 88



Ø 118

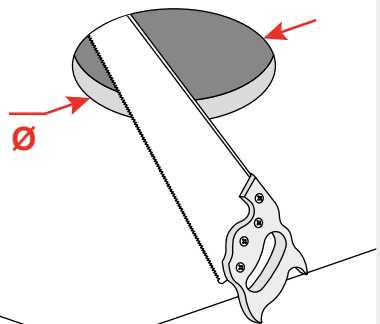


Ø 148

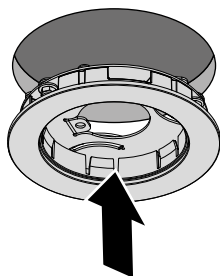


Ø 188

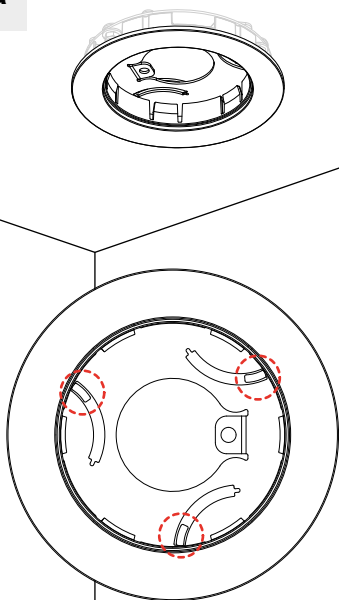
1a



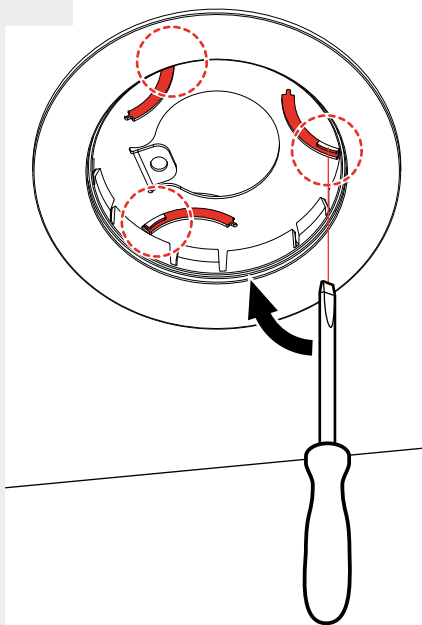
2a

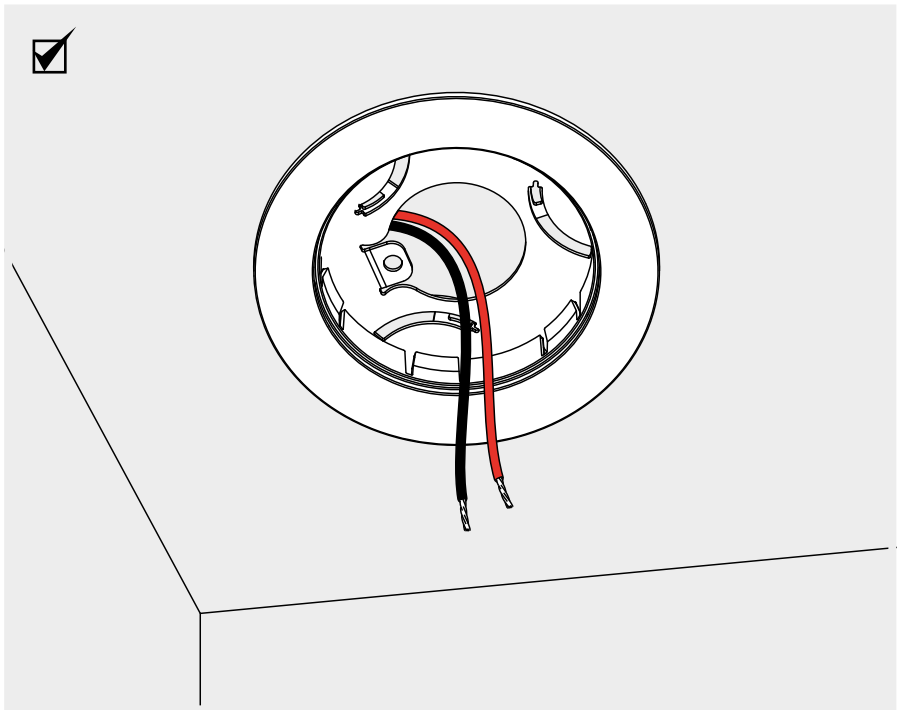
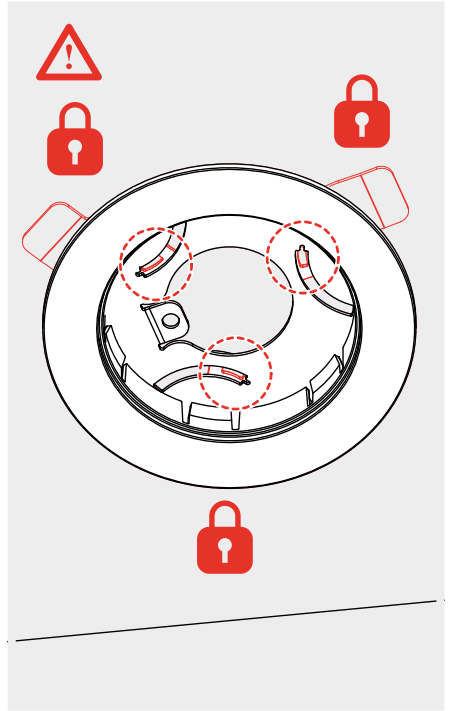
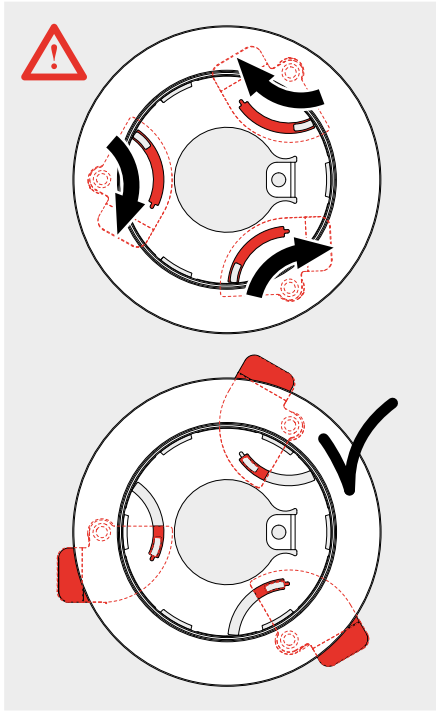


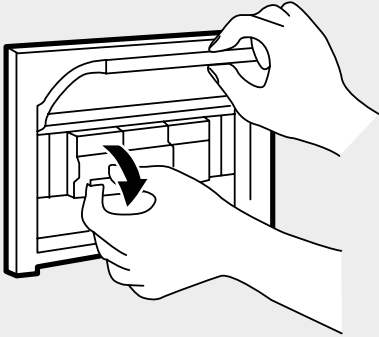
3a



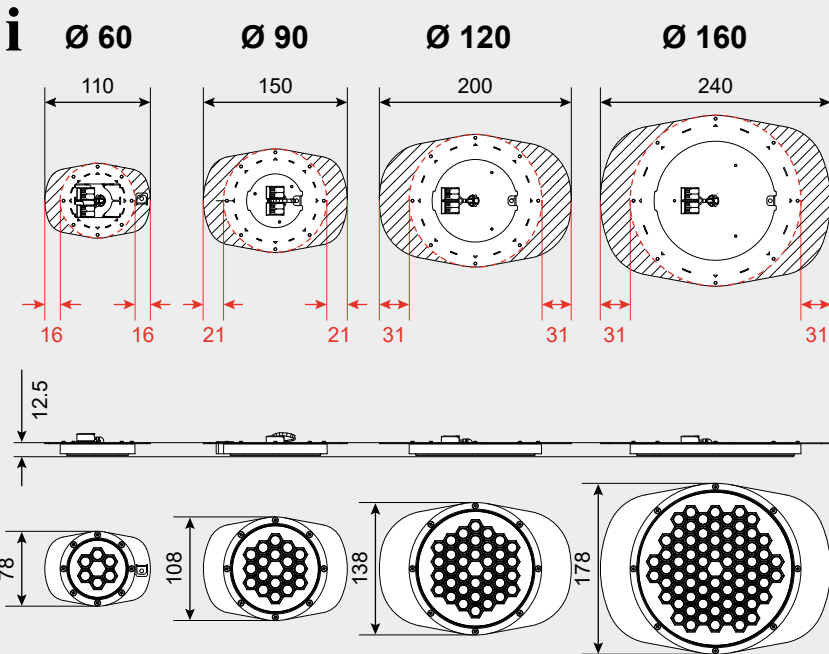
4a



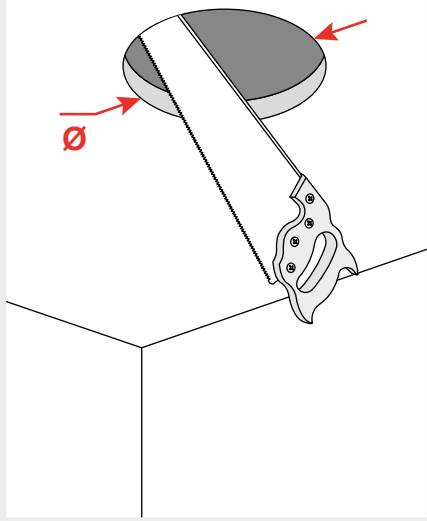




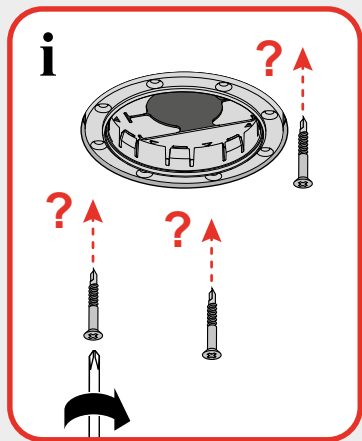
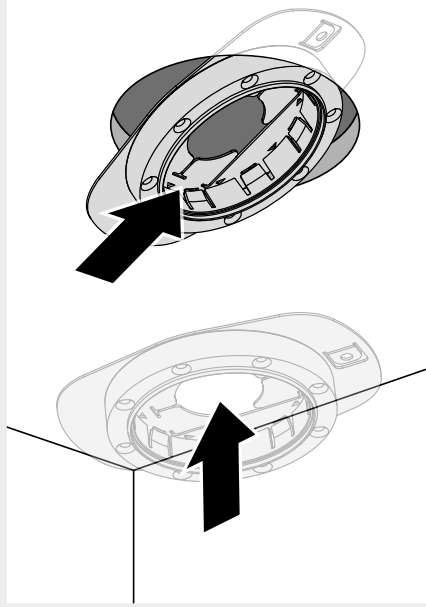
TRIMLESS FRAME



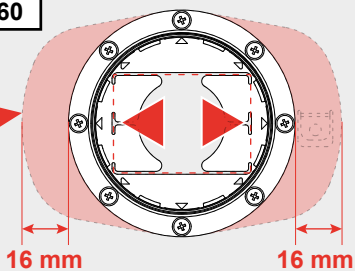
1b



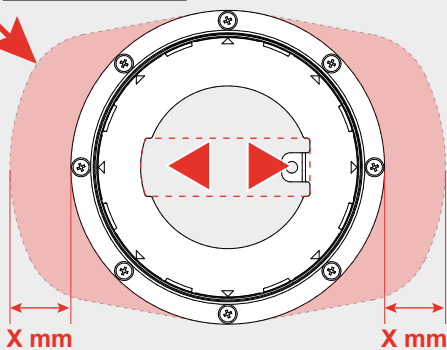
2b



Ø 60

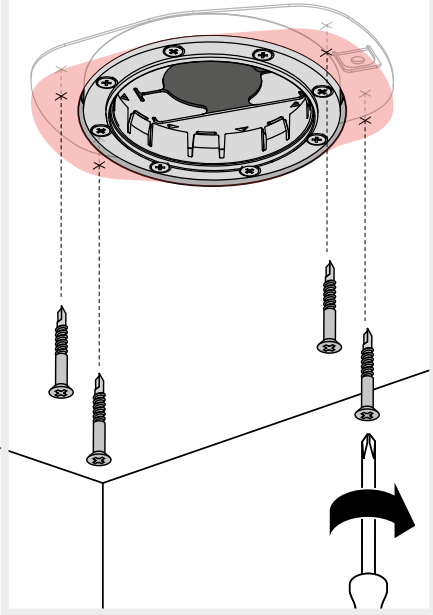


Ø 90-120-160

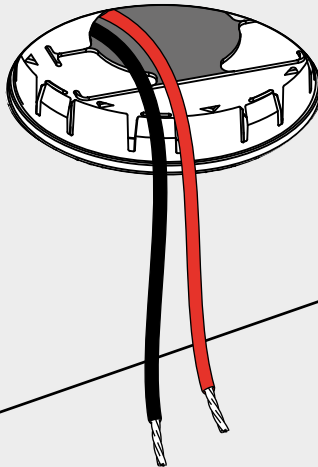
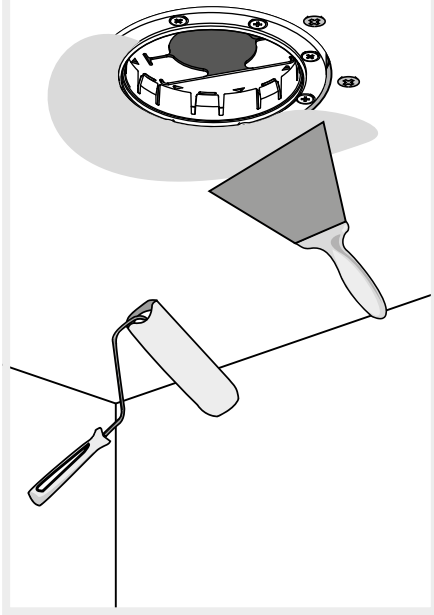


Ø	90	120	160
X [mm]	21	31	31

3b

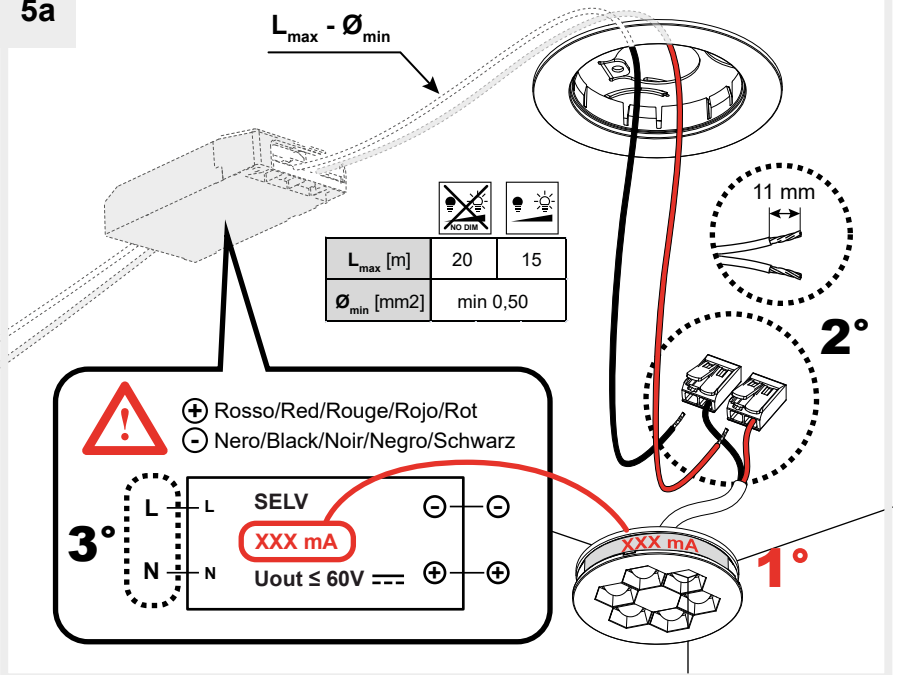


4b

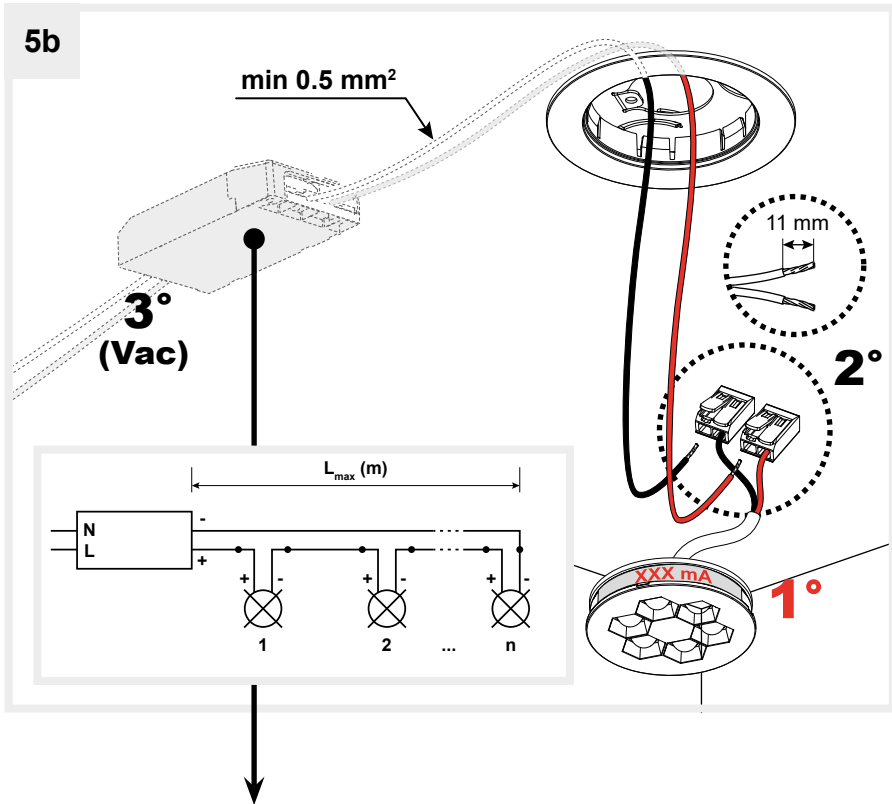



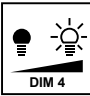

EU / WORLDWIDE

5a

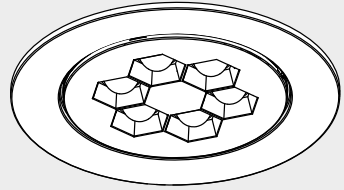
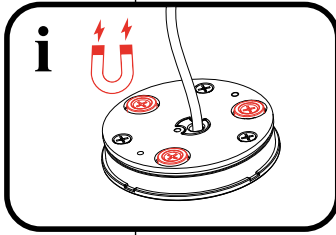
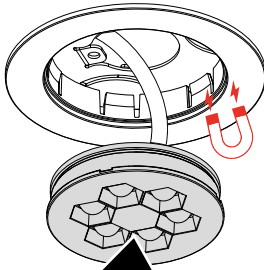


5b



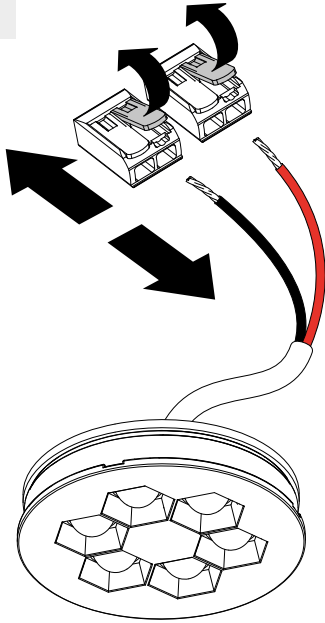
Helgoland sizes [Ø mm]	Remote driver type	Code	Driver dimensions			Circuit breaker	Max distance [m]	Current setting [mA]	V module	Devices nr.
			L [mm]	W [mm]	H [mm]					
60		DV1037	146.5	42.5	22	A 16-30 B 16-50 C 16-70	20	300	8.5 V	2 min - 4 max
90								350	17 V	2 max
120								500	17 V	2 max
160								500	34 V	1 max
60		DV1003	164	38	24.5	A 16-30 B 16-50 C 16-70	15	300	8.5 V	2 min - 5 max
90								350	17 V	2 max
120								500	17 V	2 max
160								500	34 V	1 max
90		DV1104APP	124	79	22	A 16-15 B 16-30 C 16-50	15	350	17 V	2 max
120								500	17 V	2 max
160								500	34 V	1 max

6

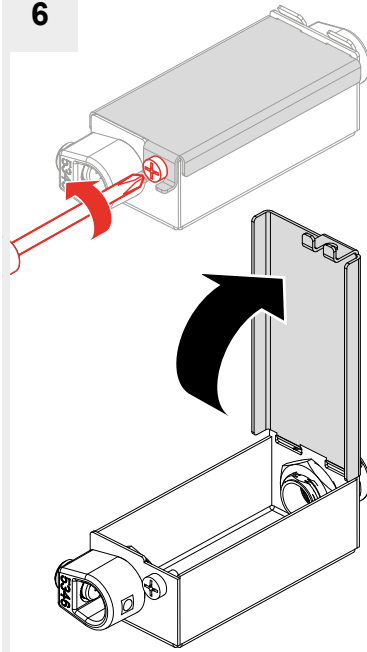


US / CANADA ONLY

5

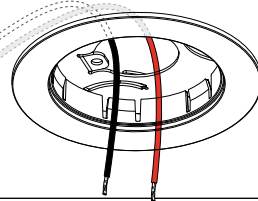
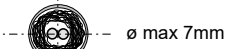


6



7

Use only CMG cable
 Utilisez uniquement CMG câble
 Utilice únicamente el cable CMG



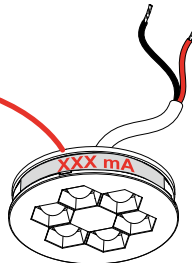
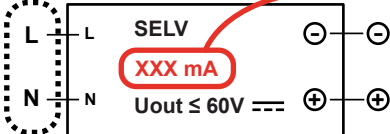
Use only with class 2 power unit
 Utiliser exclusivement avec class 2 alimentation
 Utilícese únicamente con unidad de alimentación de clase 2

red/rouge/rojo +
 black/noir/negro - CLASS 2

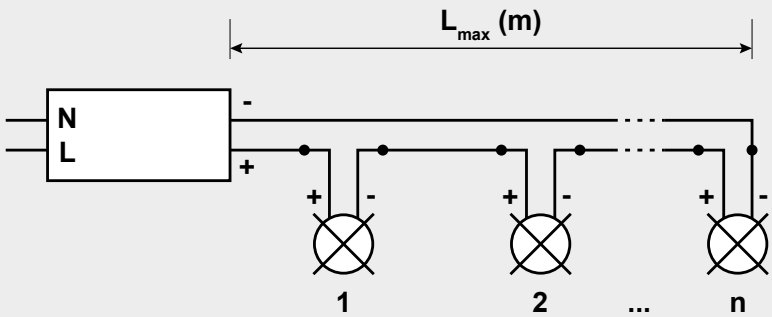
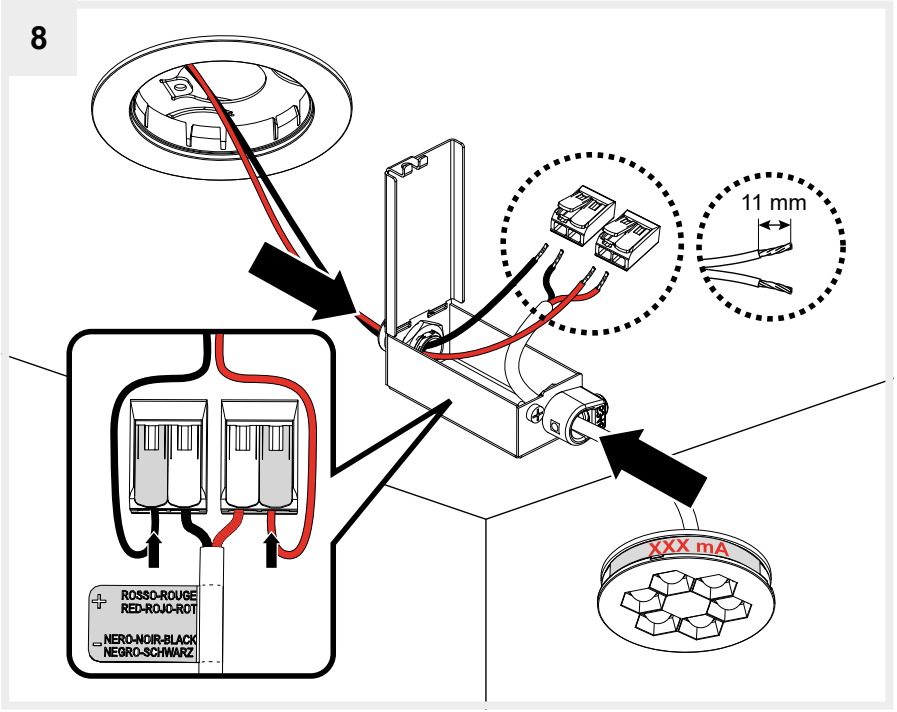


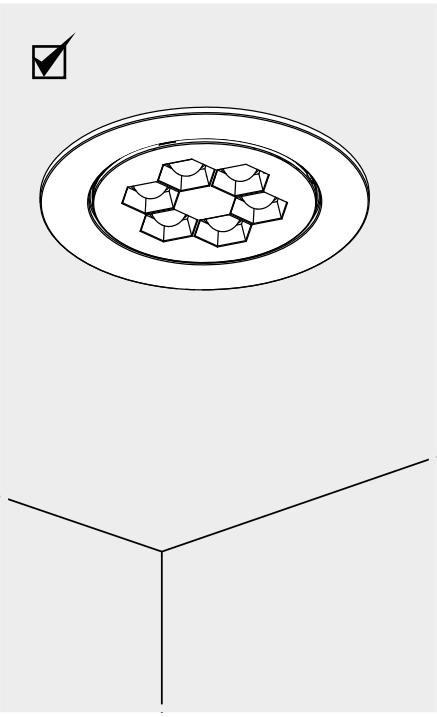
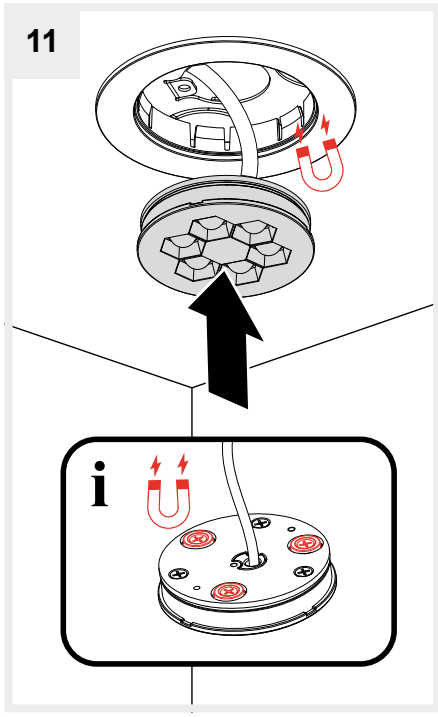
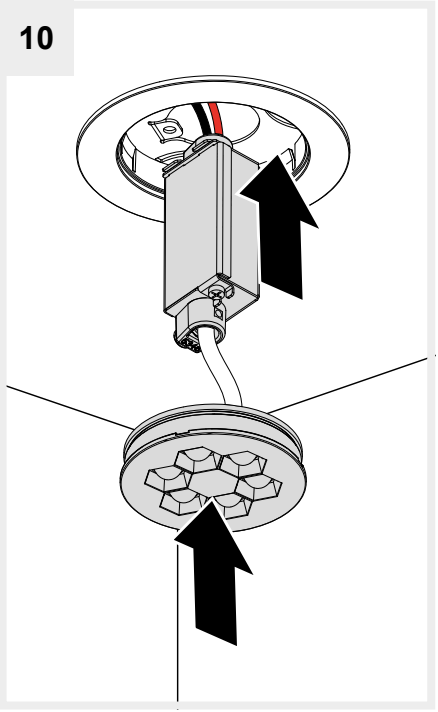
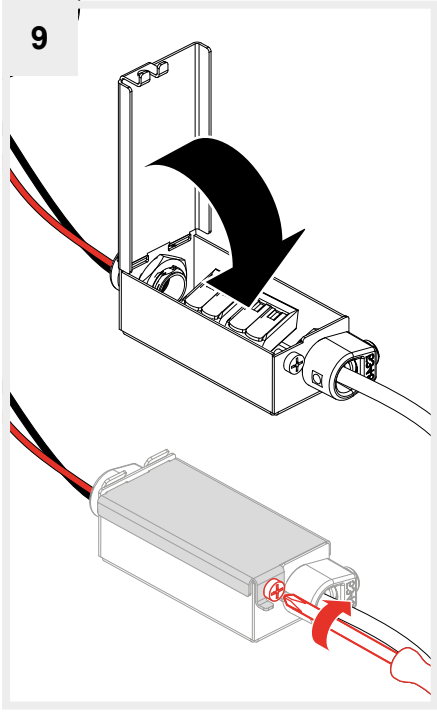
⊕ Rosso/Red/Rouge/Rojo/Rot
 ⊖ Nero/Black/Noir/Negro/Schwarz

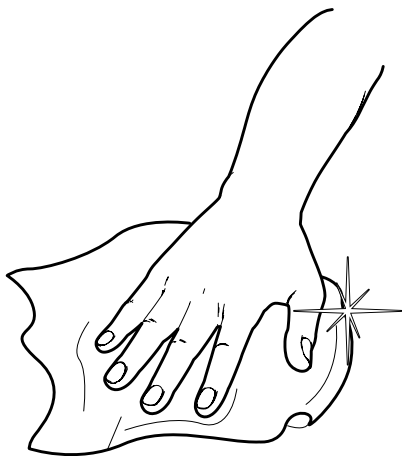
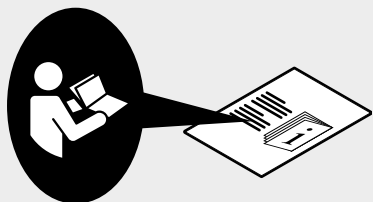
3°



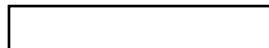
8







Artemide®



Artemide

via Bergamo, 18
20006 Pregnana M.se (MI)
ITALIA

tel. +39 02 935 181
fax +39 02 935 90 254
fax +39 02 935 90 496

www.artemide.com

VAT IT00846890150

cod. Y513002019