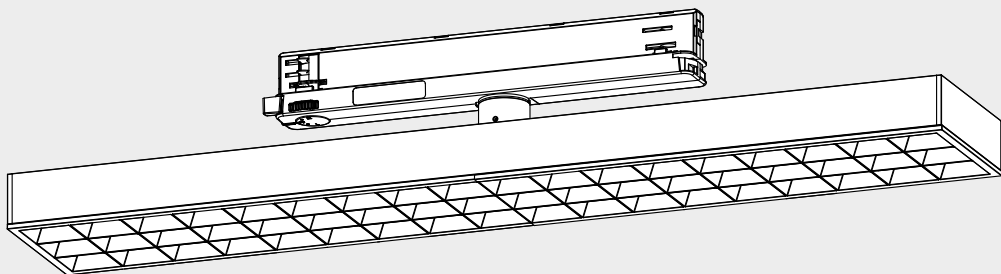


Artemide®

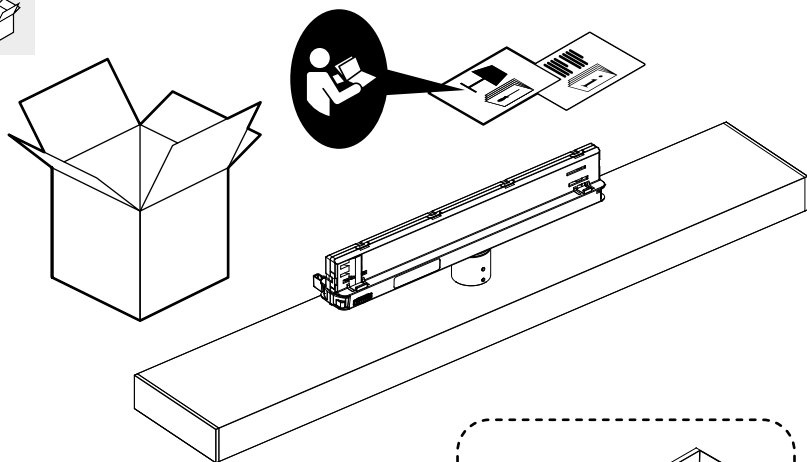
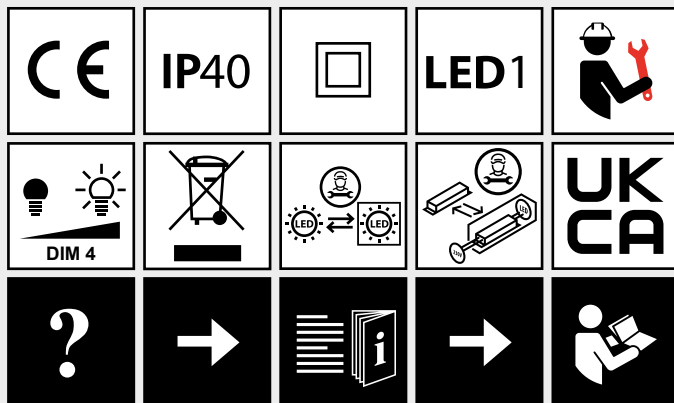
HOY REFRACTIVE 3-PHASE TRACK

design
Foster + Partners





i



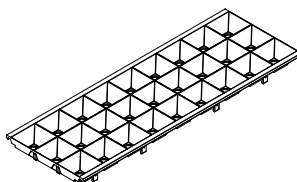
MODULE LENGTH

L= 576 mm

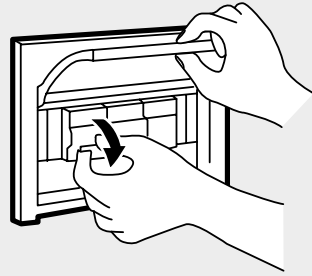
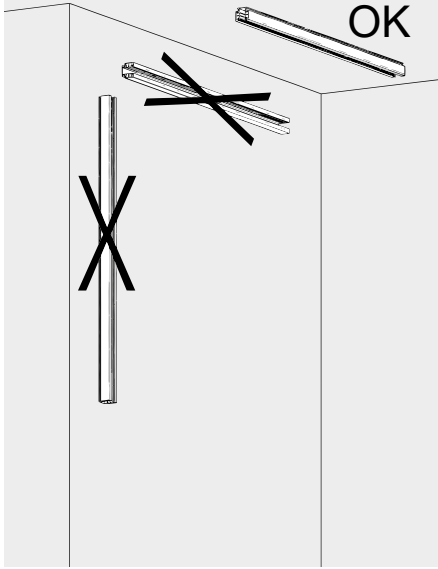
CODE

CF500...

→ 2x



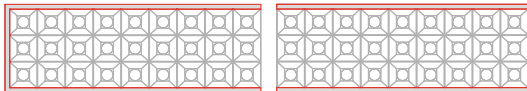
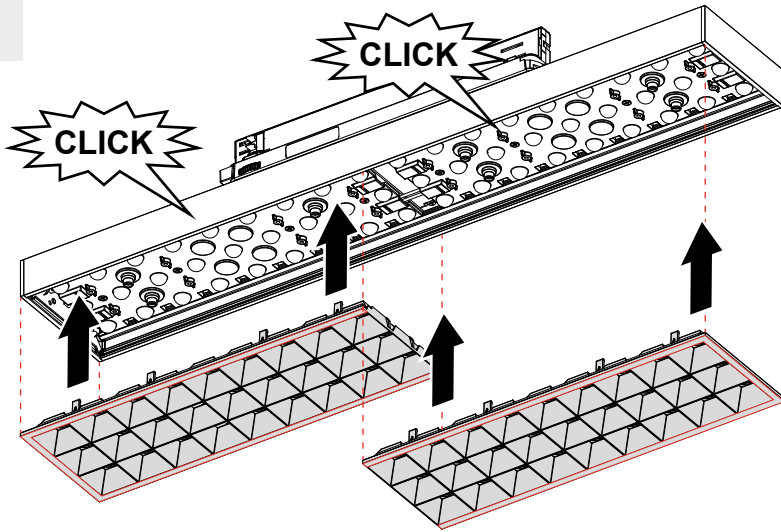
i



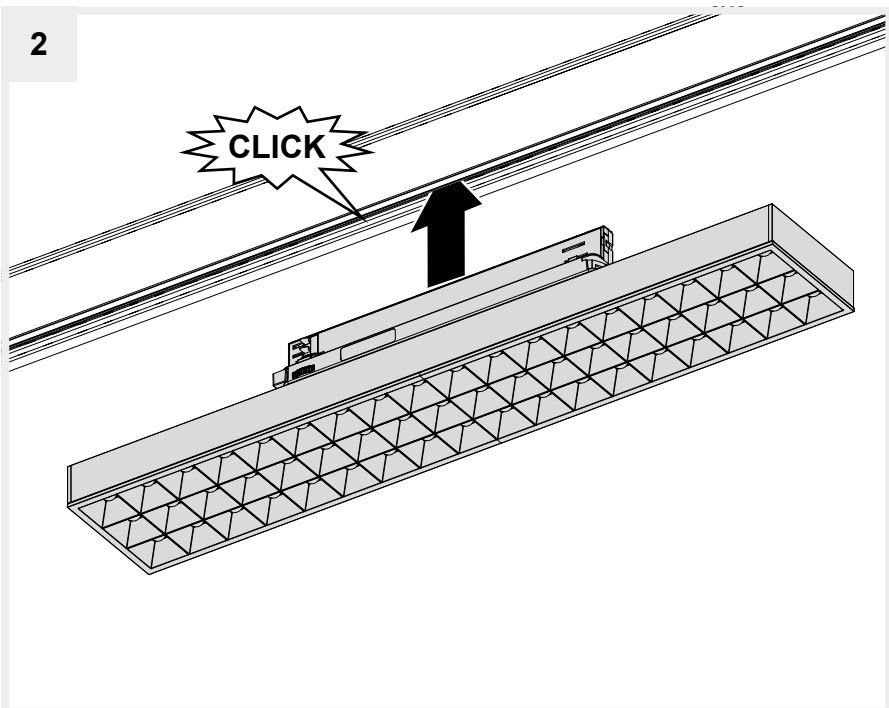
i

Max x MCB type			
B16	C16	B10	C20
50	85	31	104

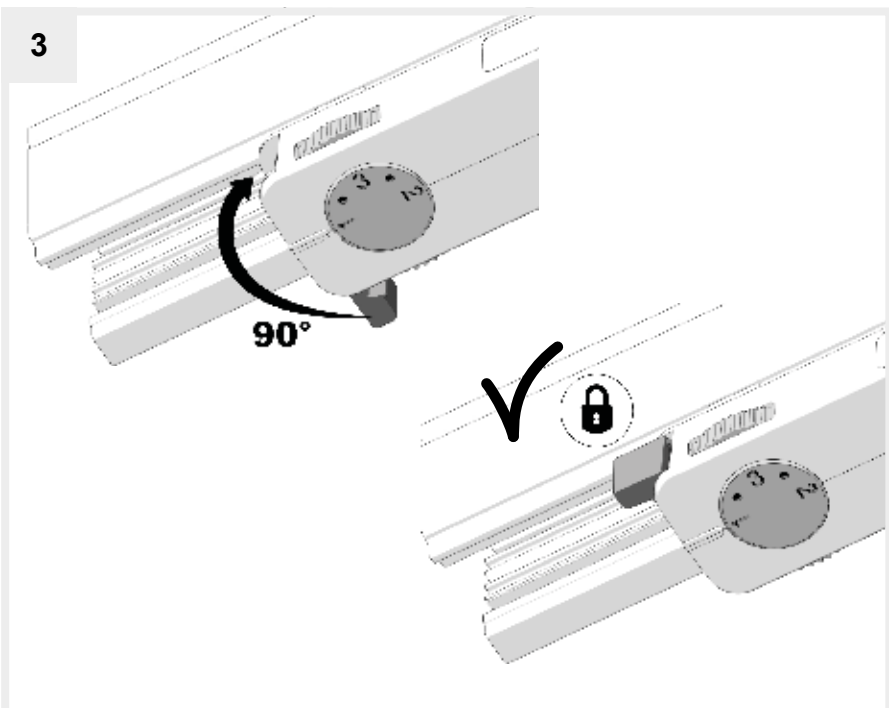
1



2

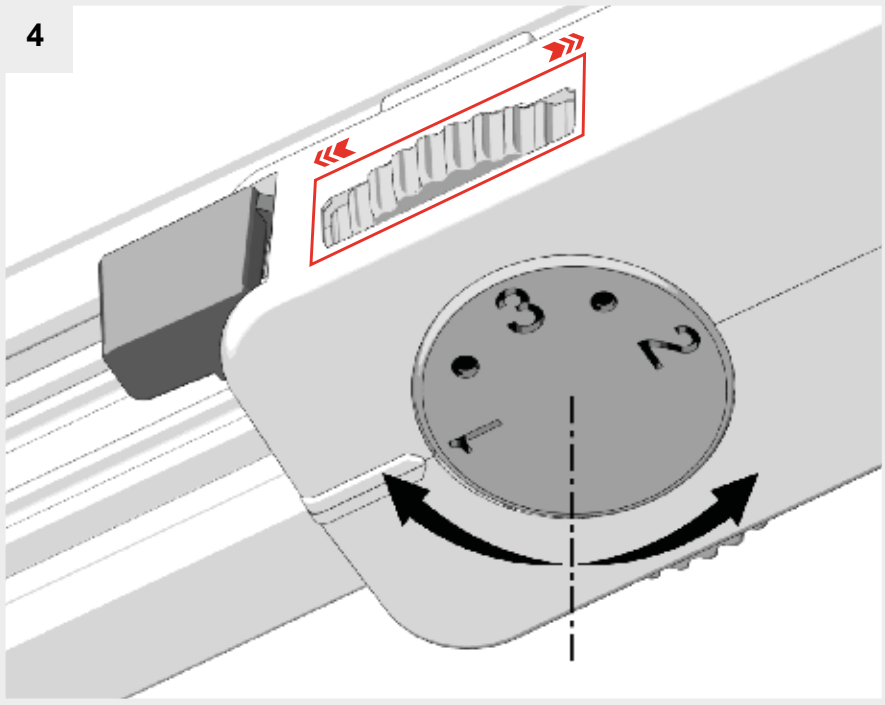


3



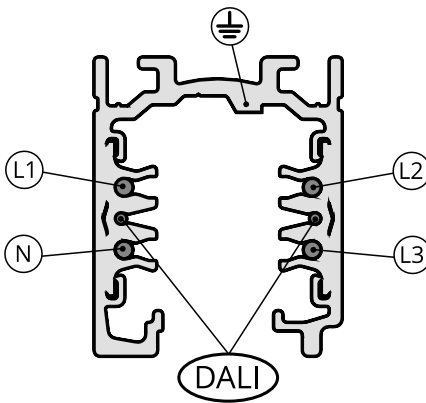


4



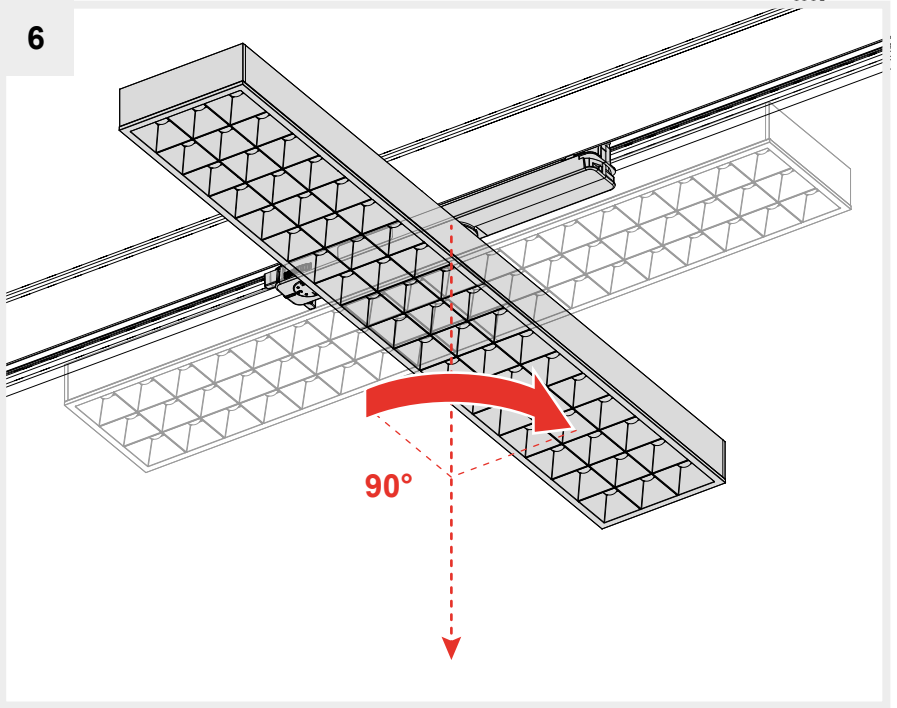
5

1 = L1
2 = L2
3 = L3

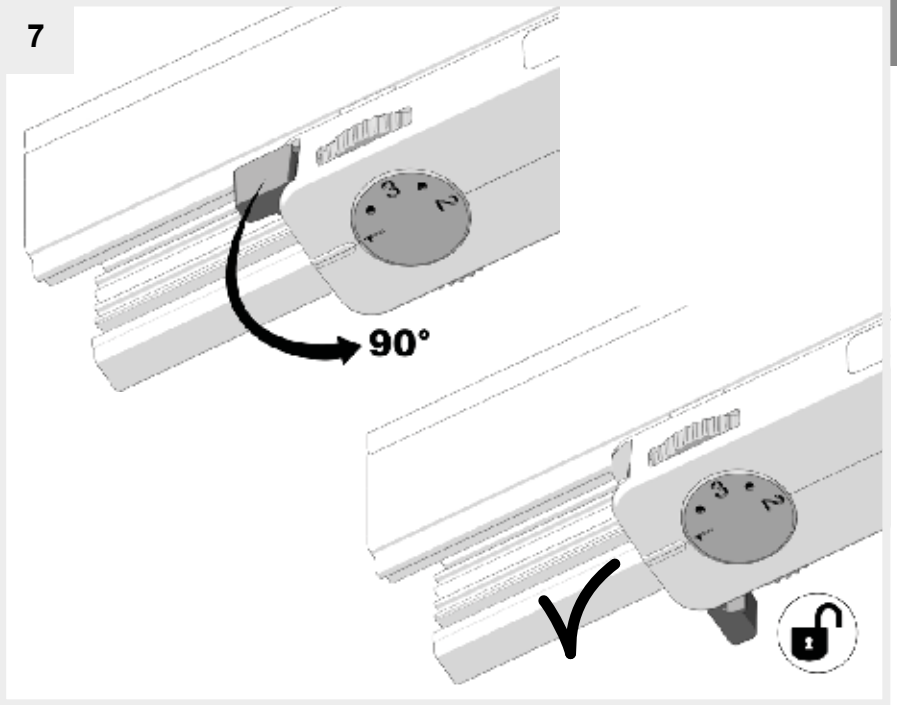


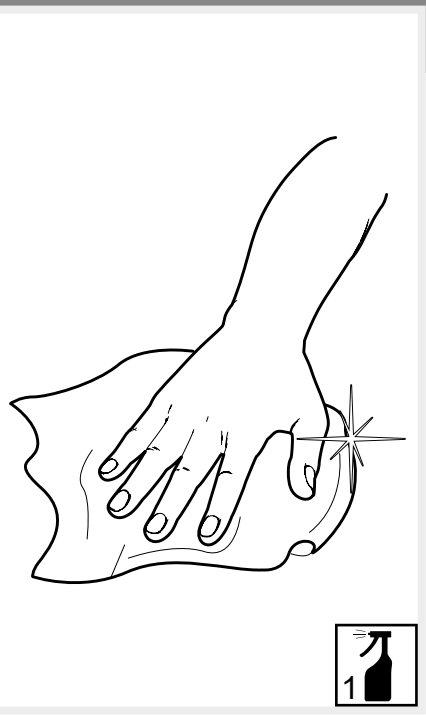
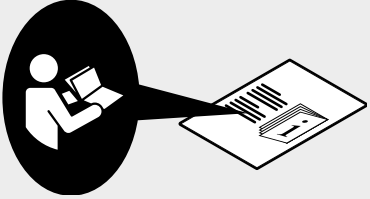
A.A.G. Stucchi - Onetrack

6

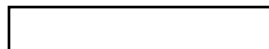


7





Artemide®



Artemide

via Bergamo, 18
20006 Pregnana M.se (MI)
ITALIA

tel. +39 02 935 181
fax +39 02 935 90 254
fax +39 02 935 90 496

www.artemide.com

VAT IT00846890150

cod. Y513002026