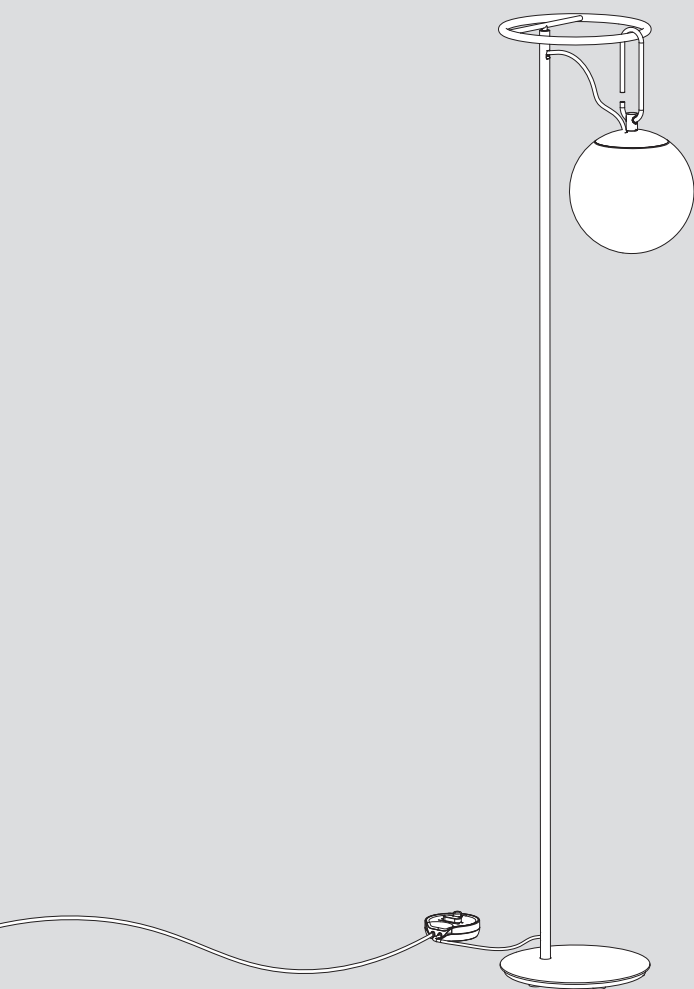


# Artemide®

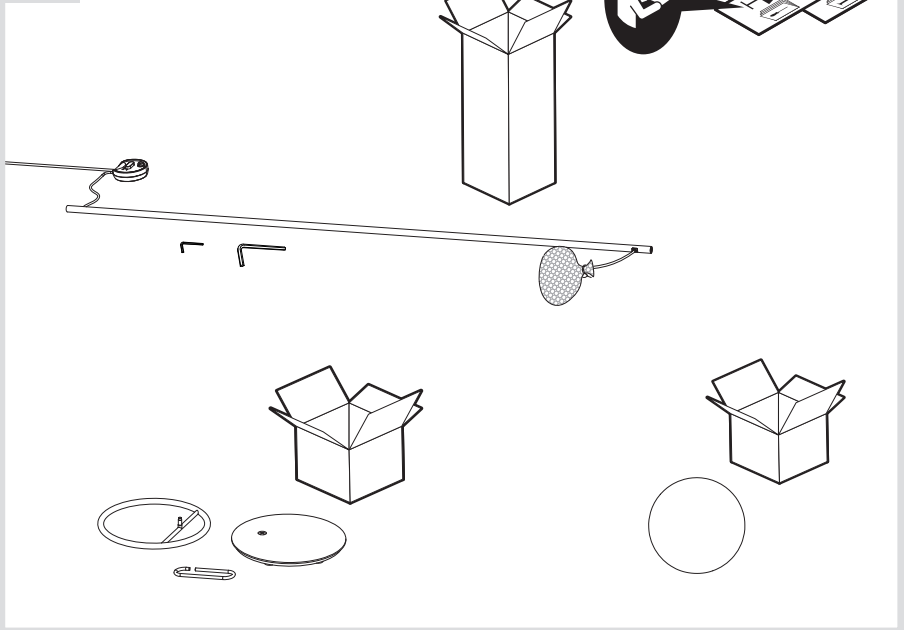
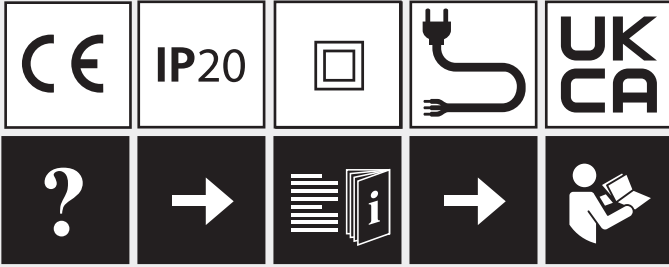
## nh

design  
Neri & Hu

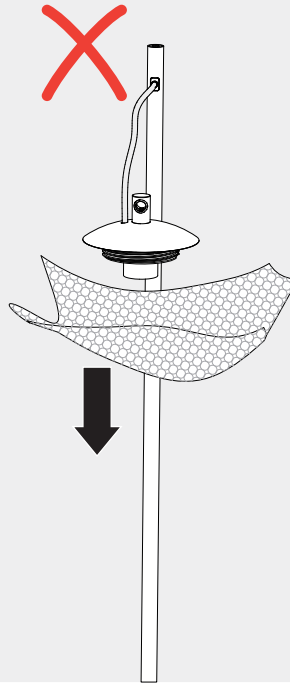
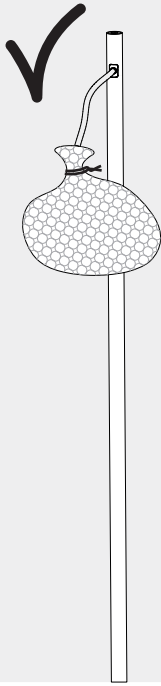




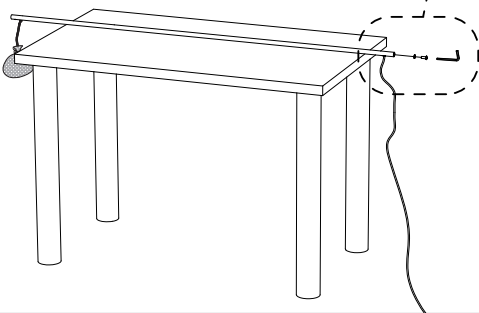
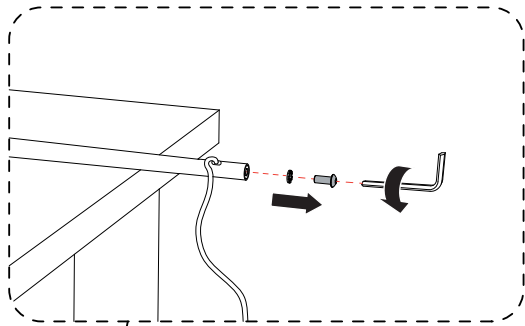
i



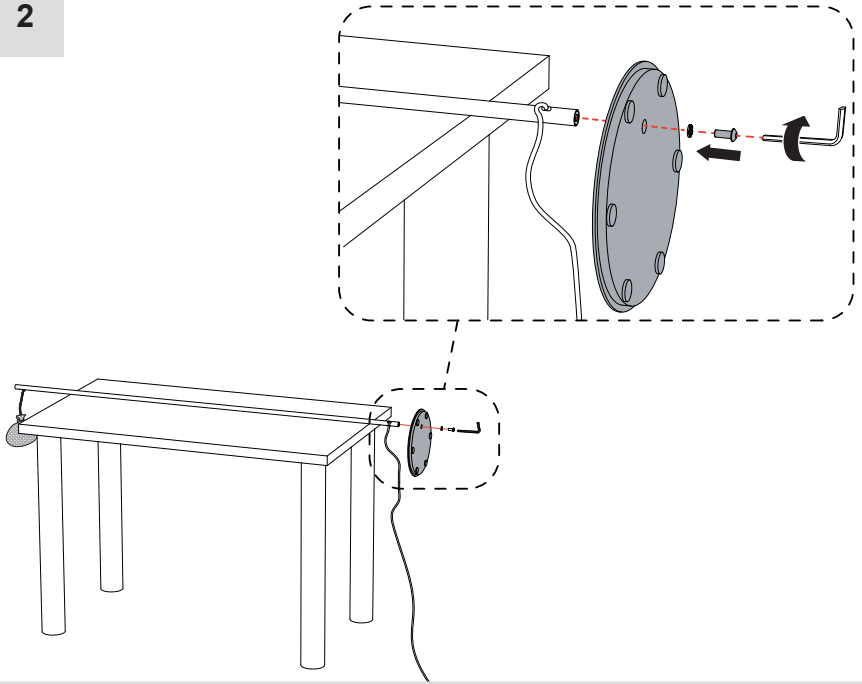
**i**



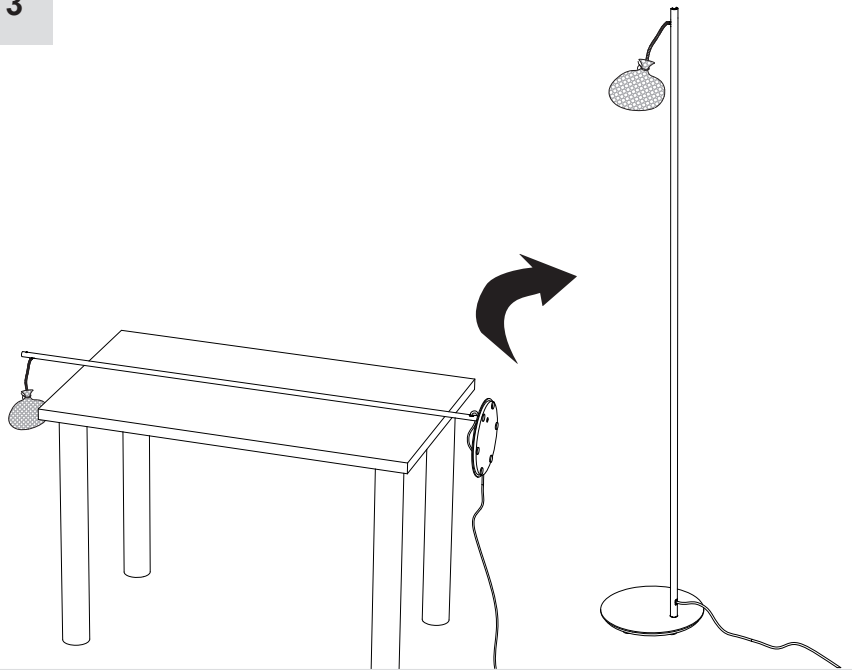
**1**



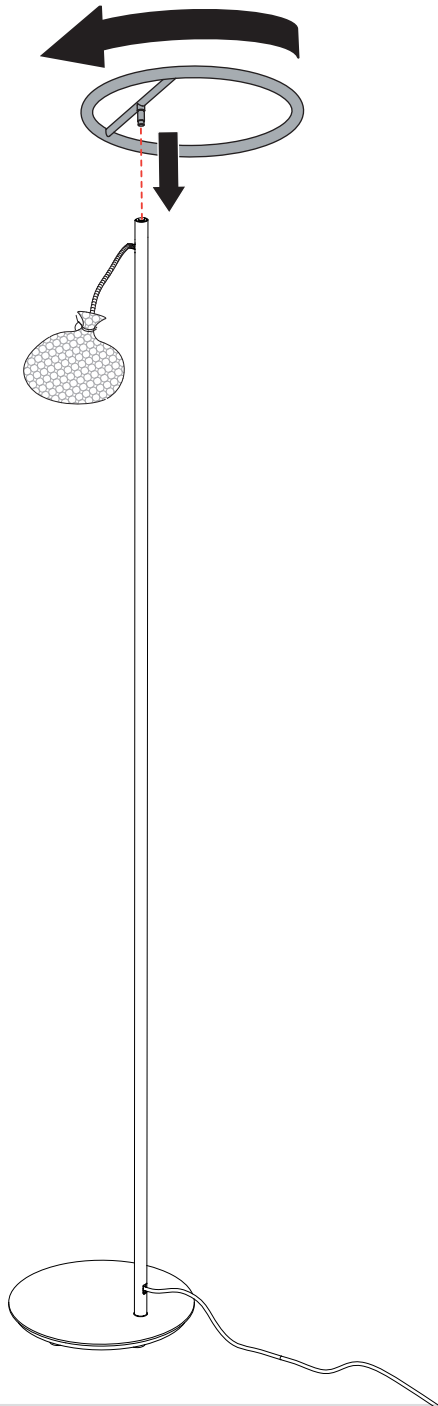
2



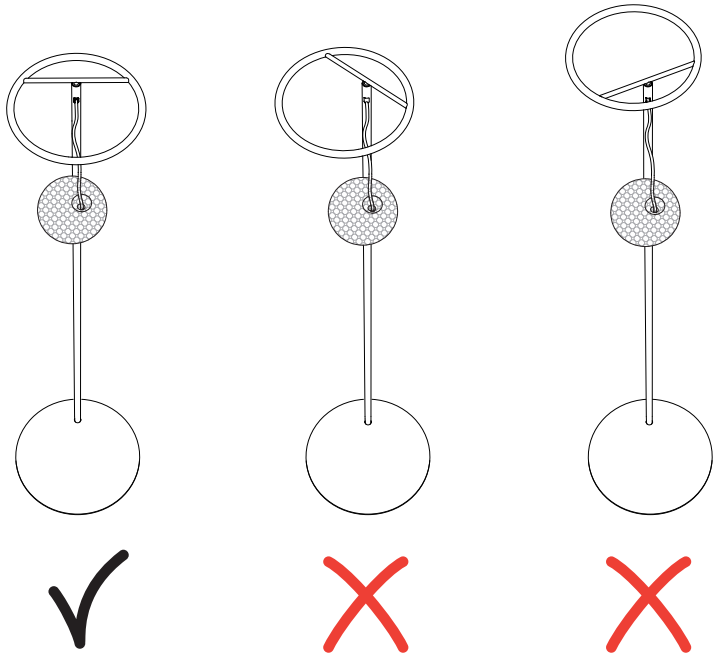
3



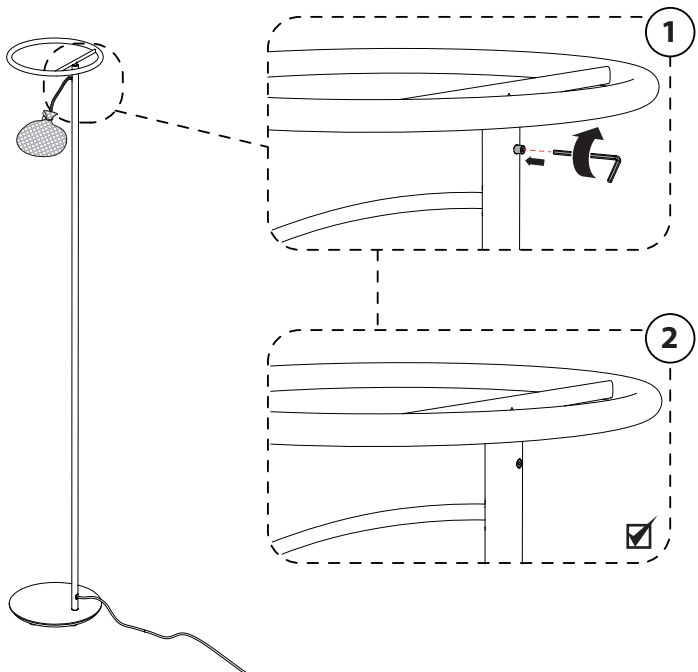
4



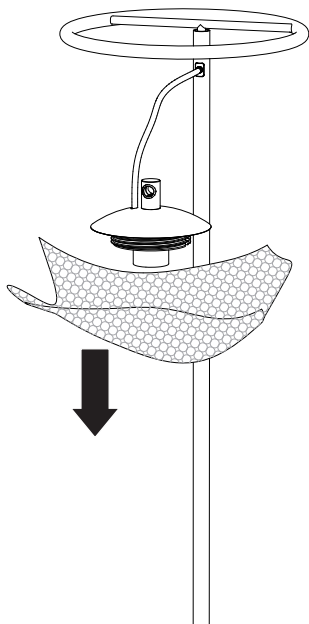
5



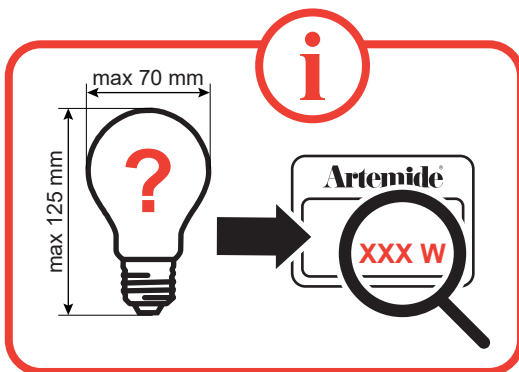
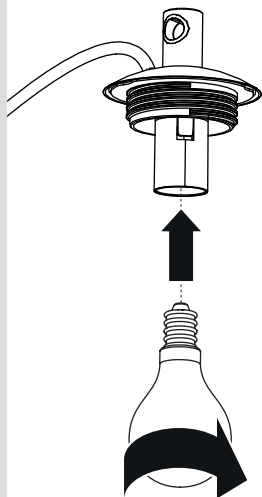
6



7



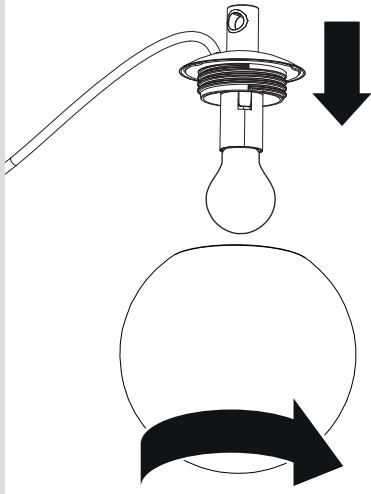
8



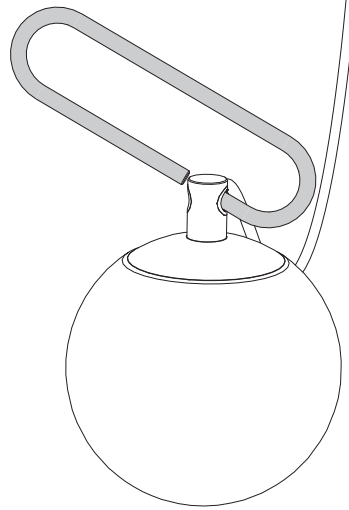
**FOR USA / CANADA ONLY:**  
E26 - MAX 15W LED cULus SBLED



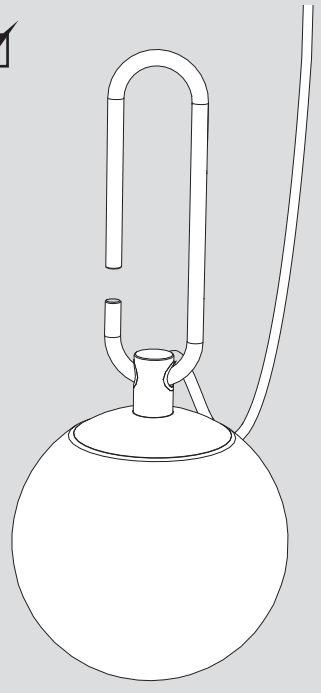
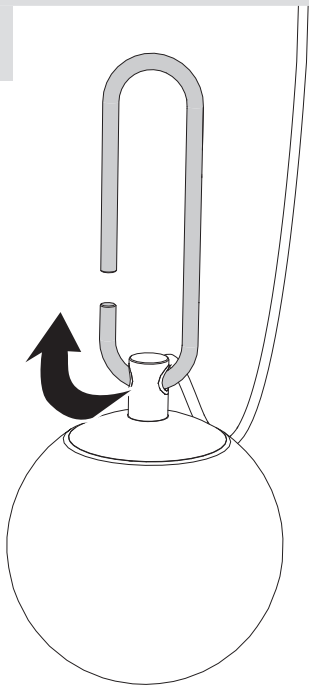
9



10

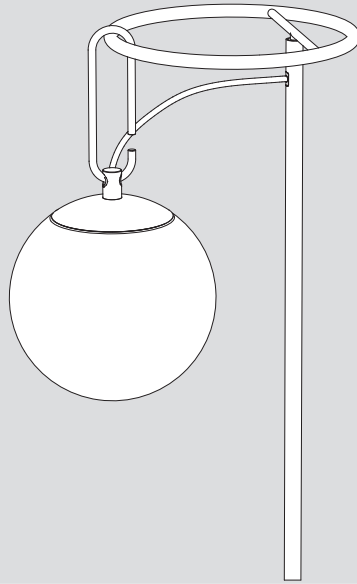
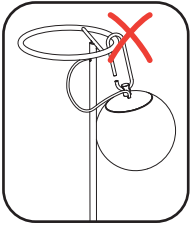
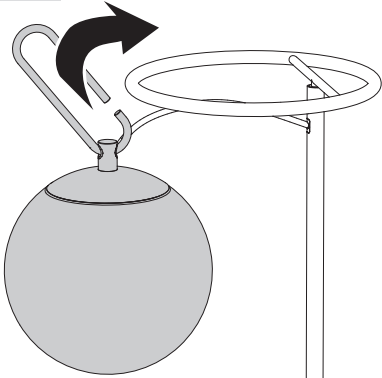


11

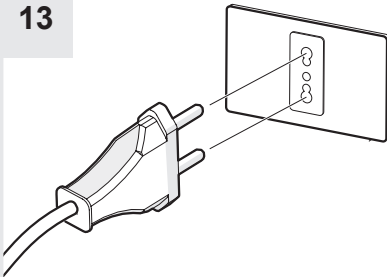




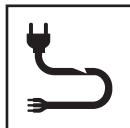
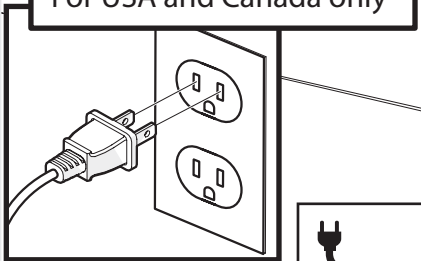
12



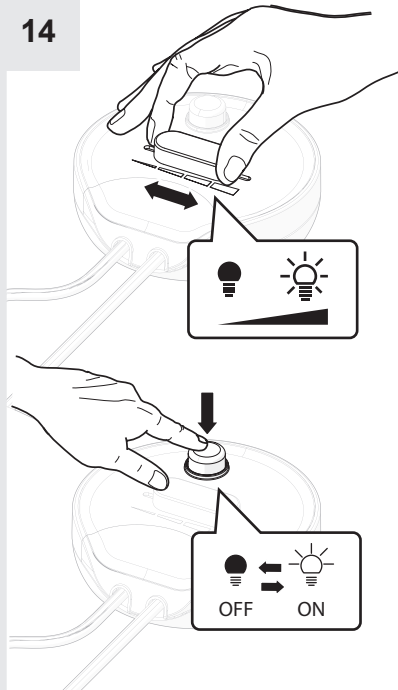
13

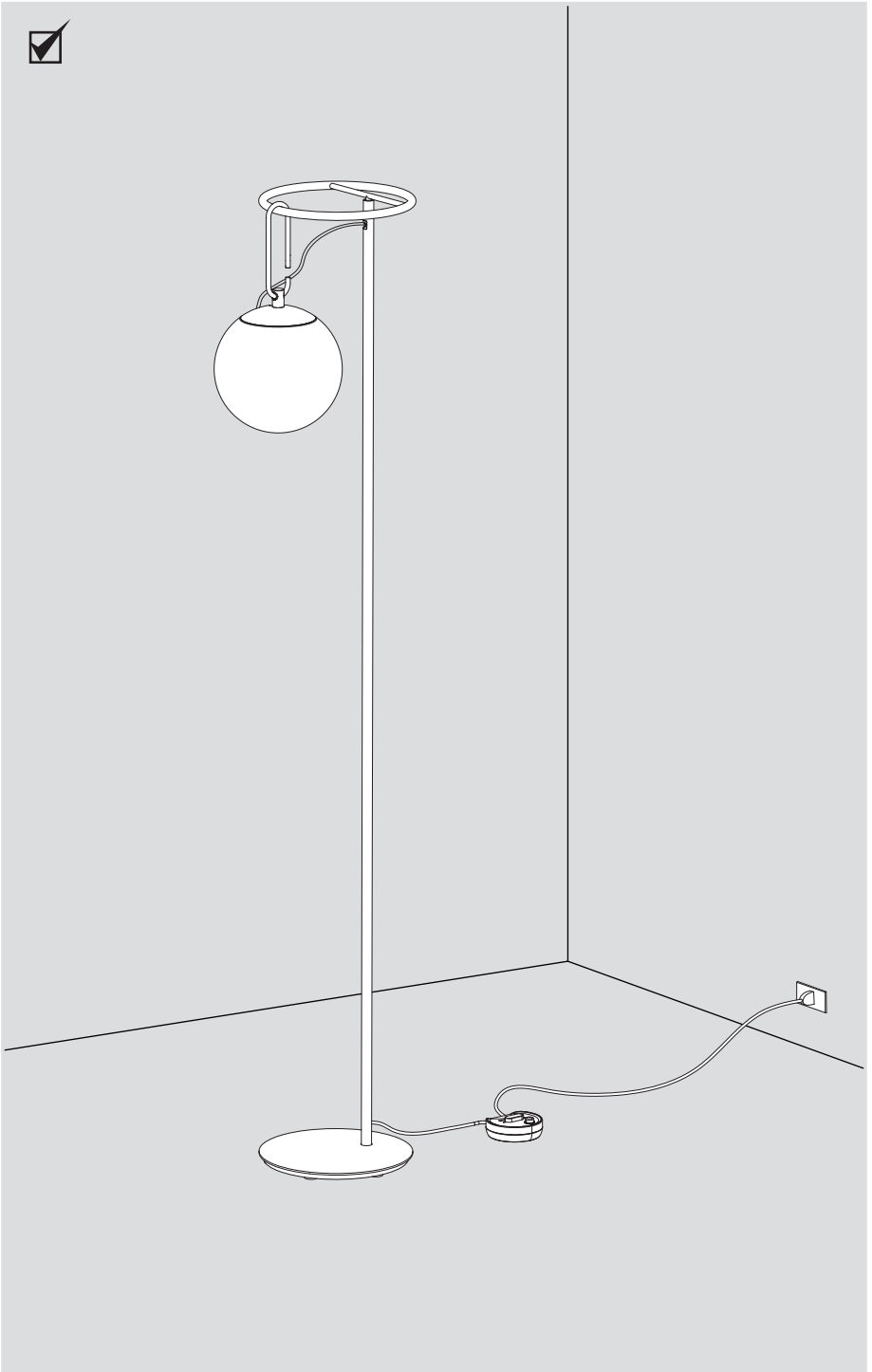


For USA and Canada only

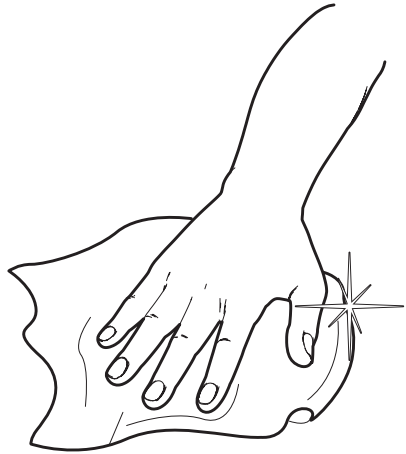
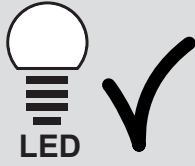


14

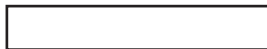




i



**Artemide®**



**Artemide**

via Bergamo, 18  
20006 Pregnana M.se (MI)  
ITALIA

tel. +39 02 935 181  
fax +39 02 935 90 254  
fax +39 02 935 90 496

[www.artemide.com](http://www.artemide.com)

VAT IT00846890150

cod. Y513001199A