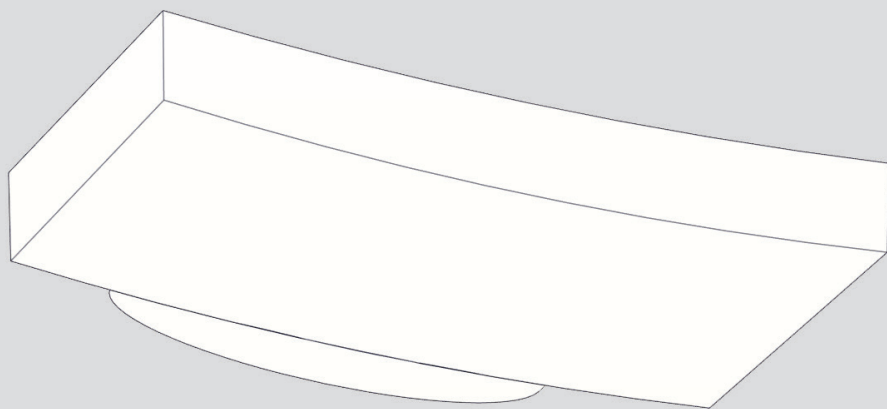


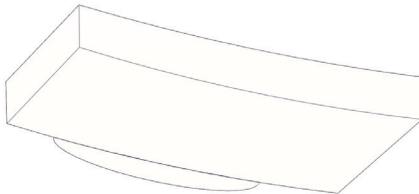
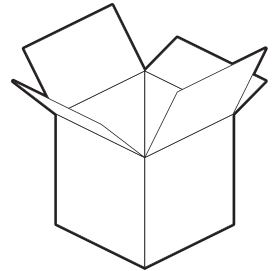
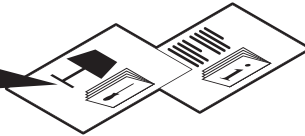
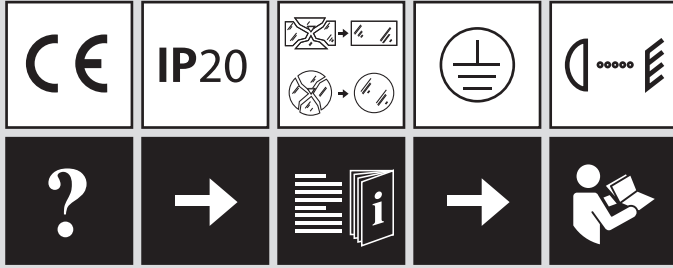
Surf

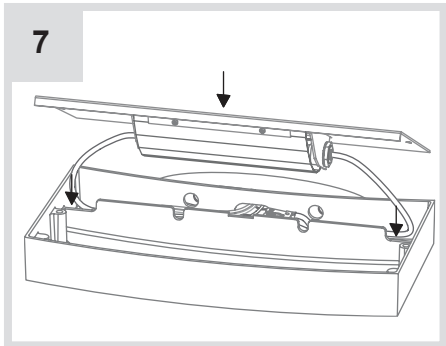
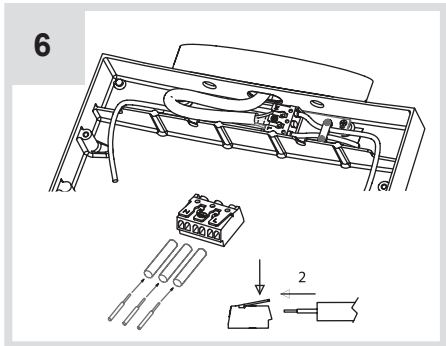
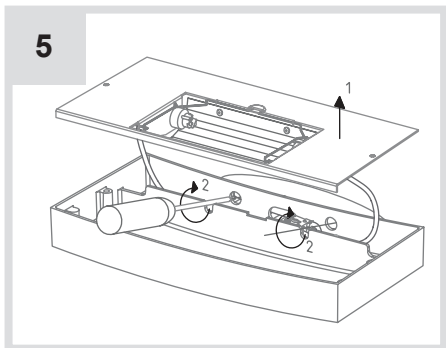
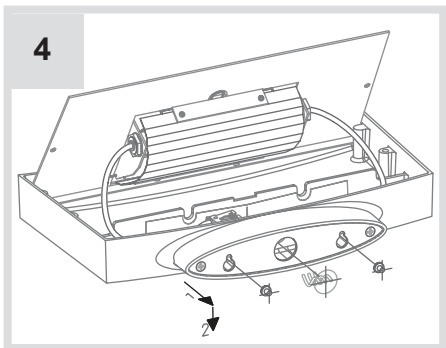
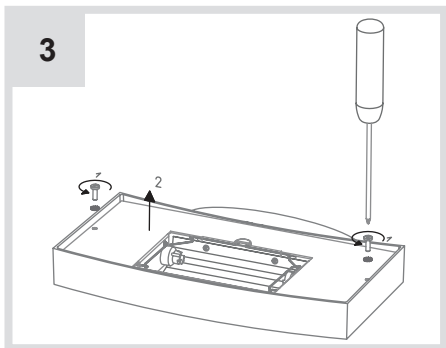
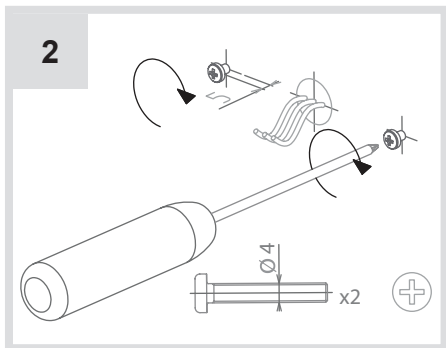
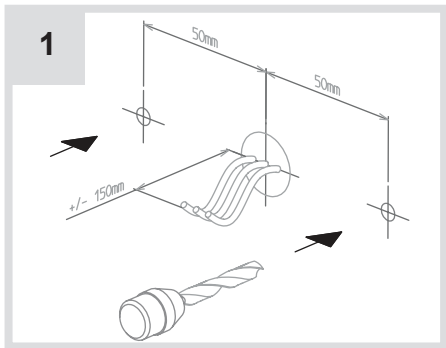
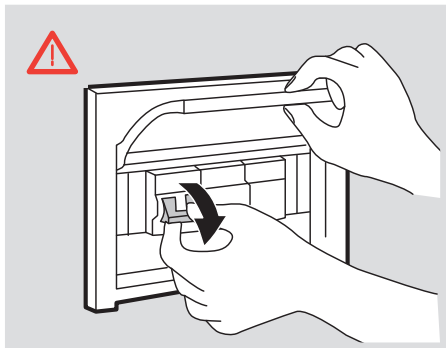
design
N. Poulton

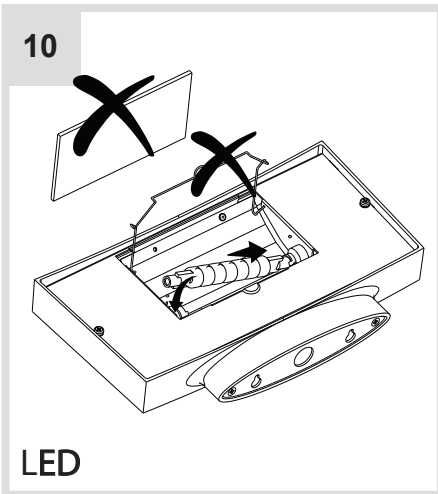
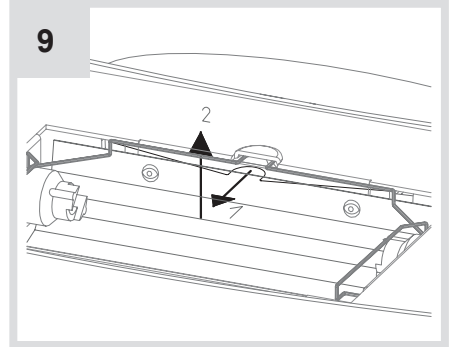
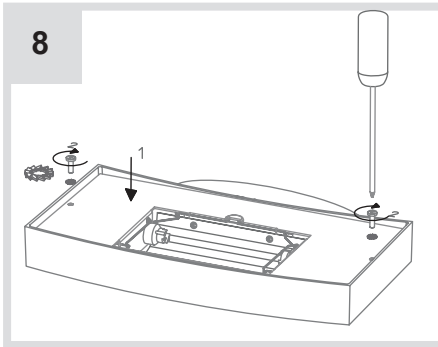




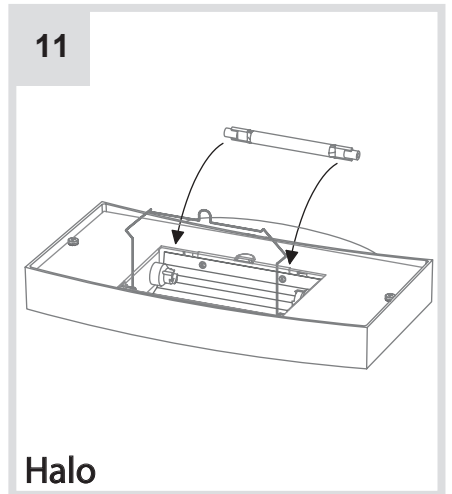
i



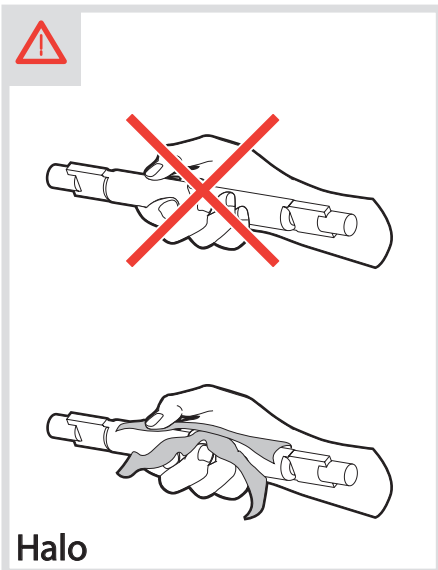




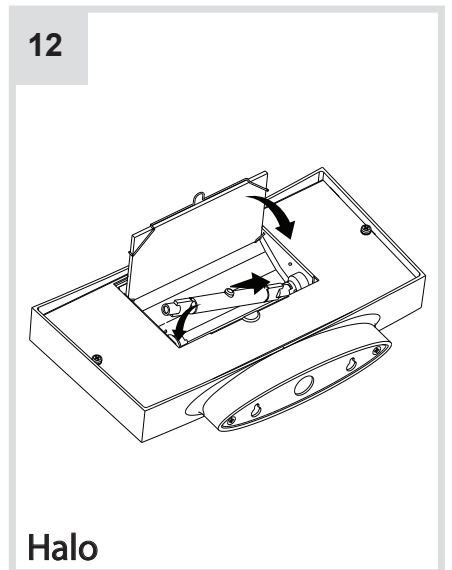
LED



Halo

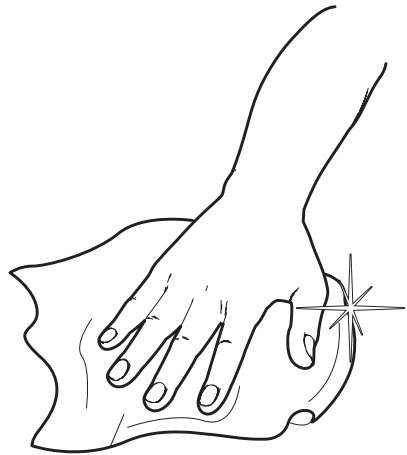
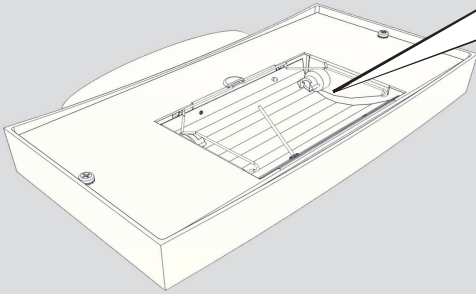
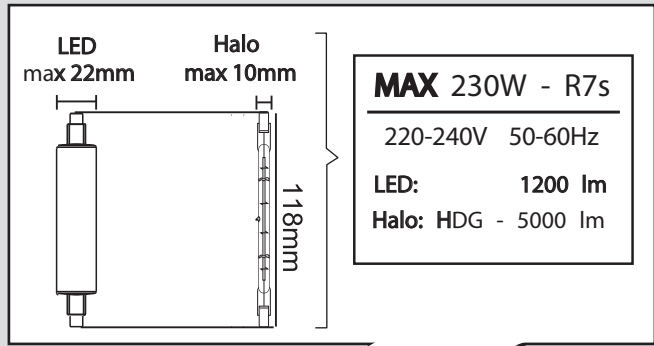


Halo



Halo

i





Artemide Spa

via Bergamo, 18
20010 Pregnana M.se (MI)
ITALIA

Tel. +39 02 935 181
Fax +39 02 935 90 254
Fax +39 02 935 90 496

www.artemide.com

VAT IT00846890150