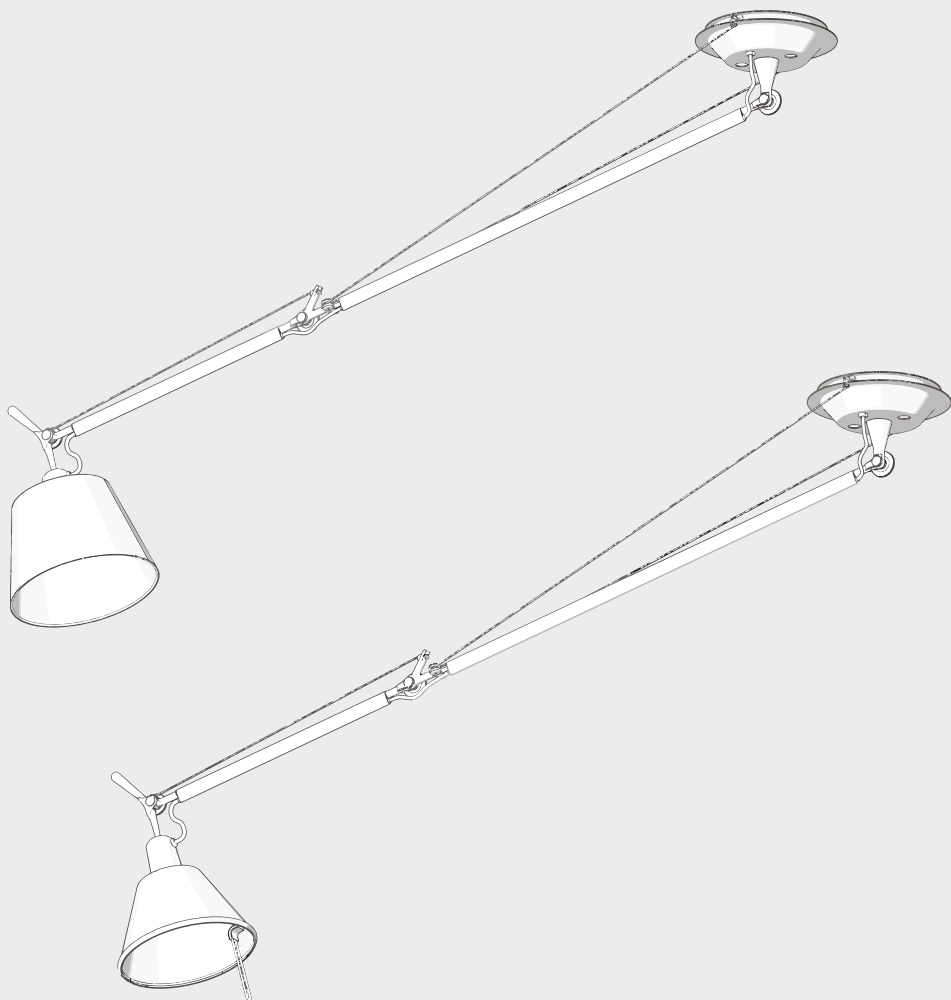


# Artemide®

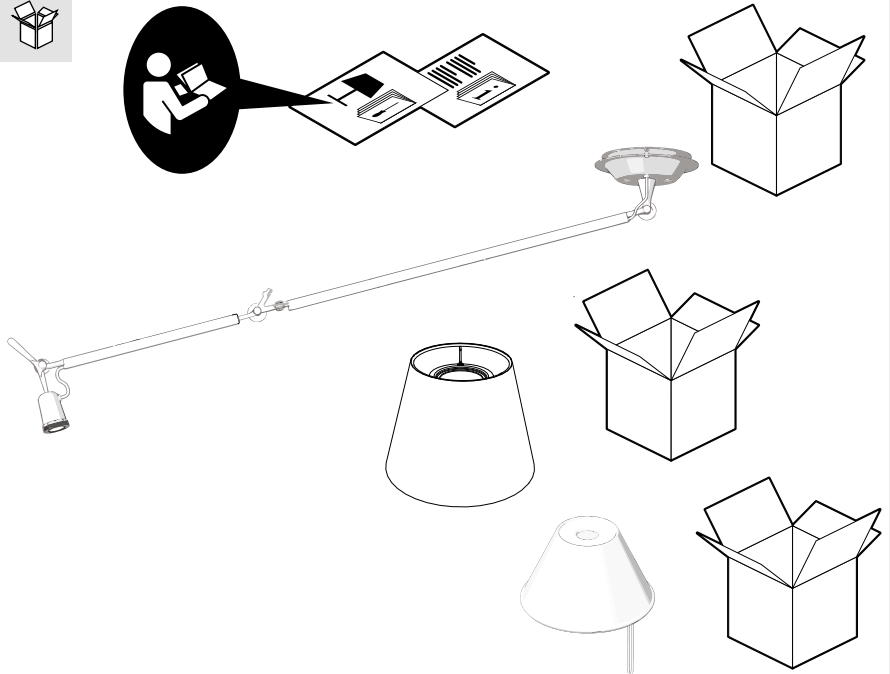
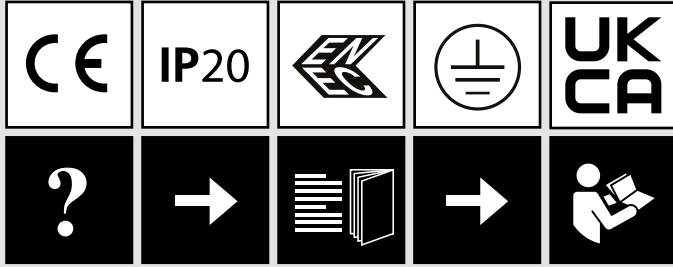
## Tolomeo Sospensione Decentrata

design  
M. De Lucchi  
G. Fassina

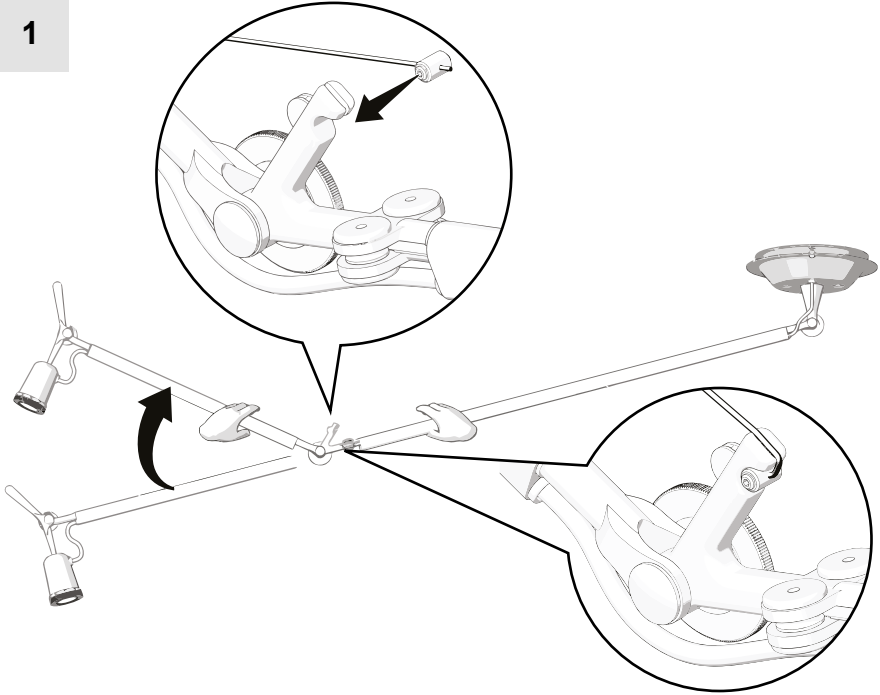




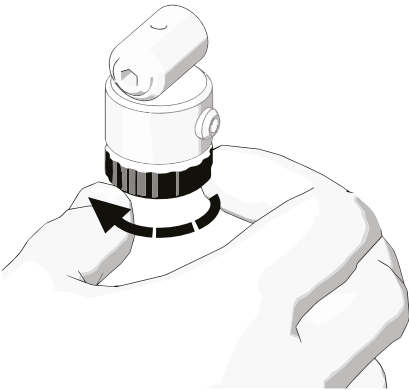
i



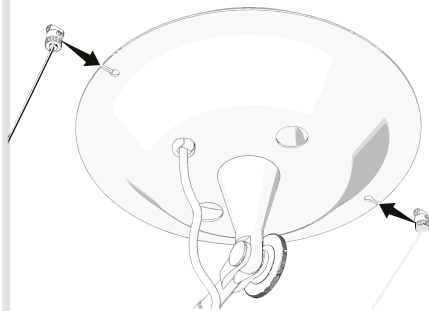
1



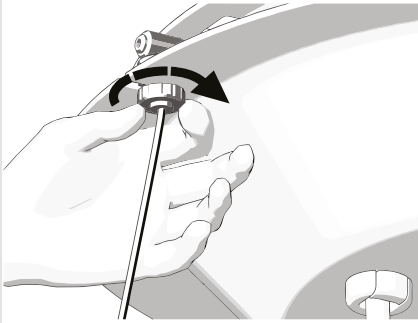
2



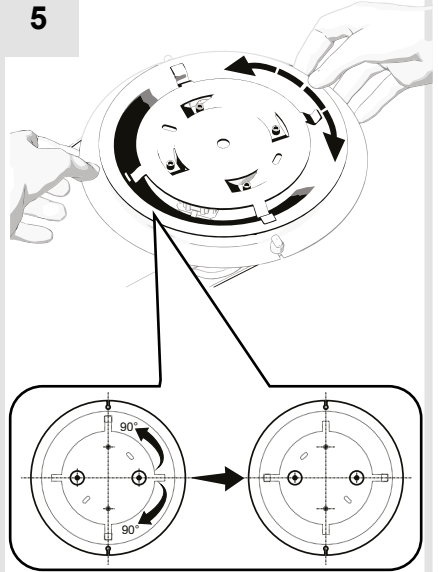
3



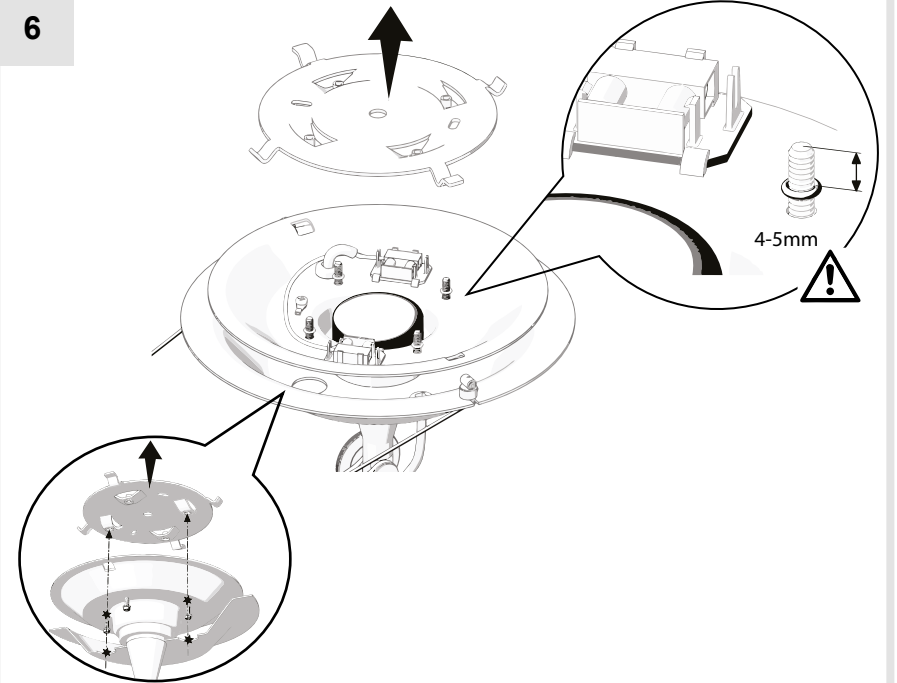
4



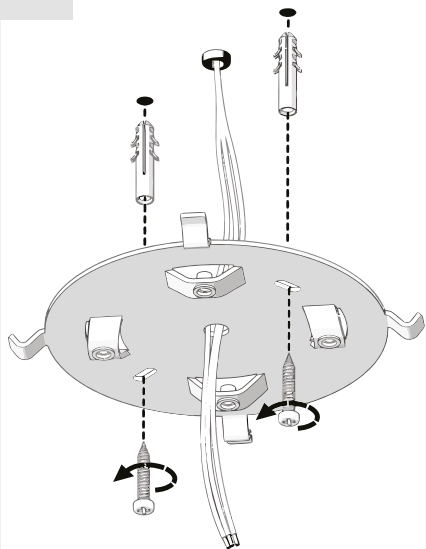
5



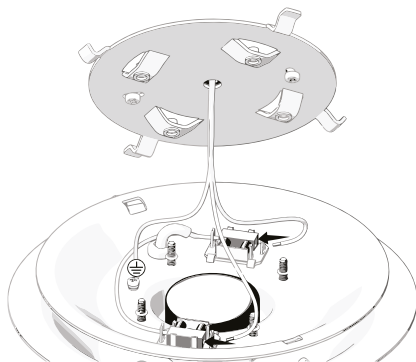
6



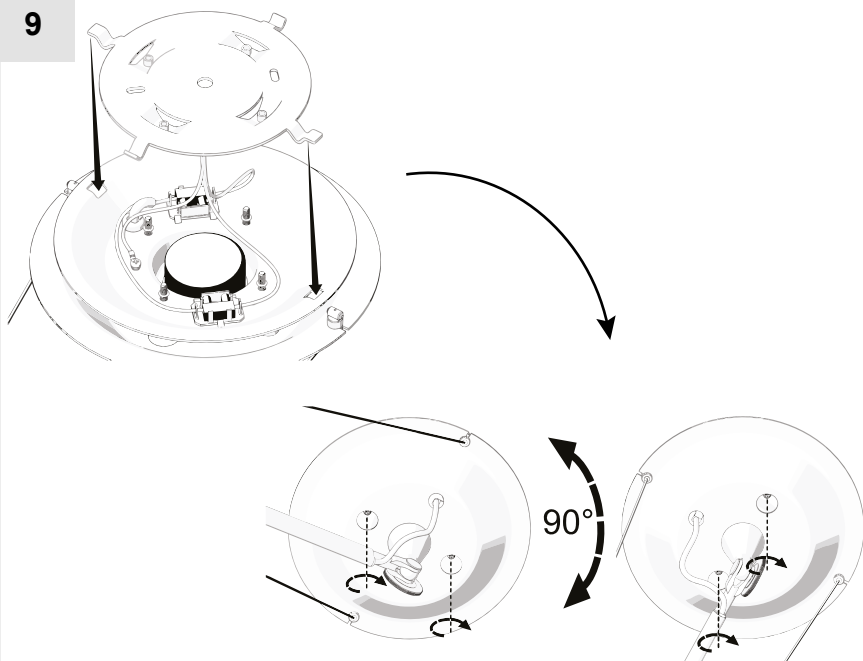
7

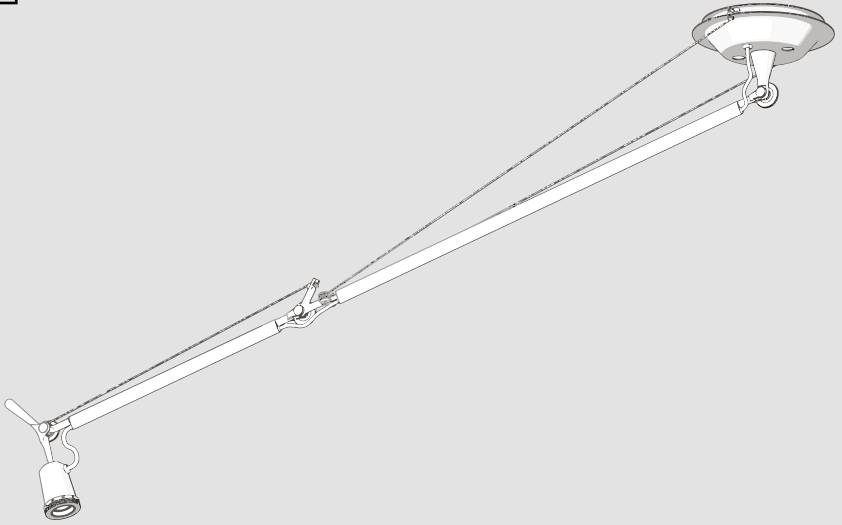


8



9

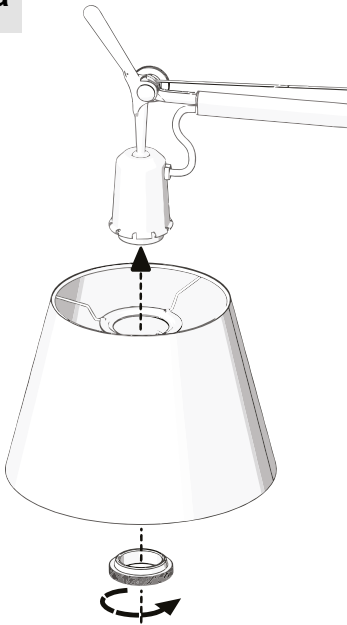




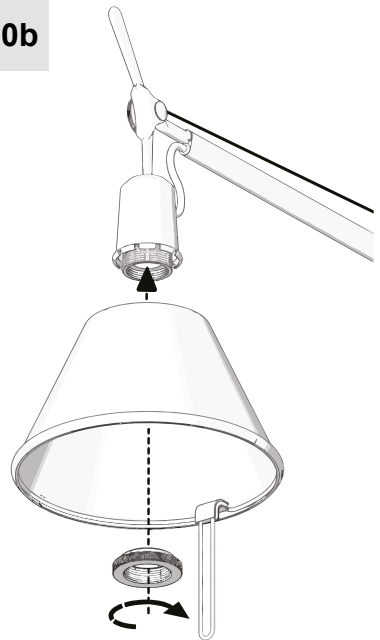
10a

10b

10a

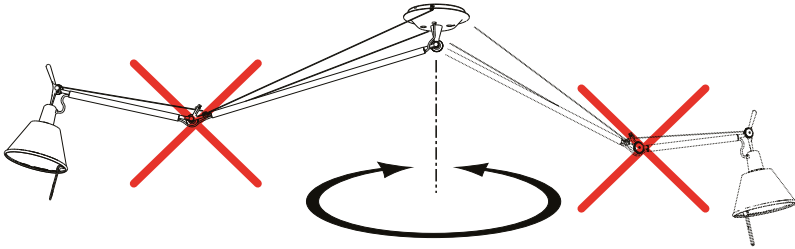
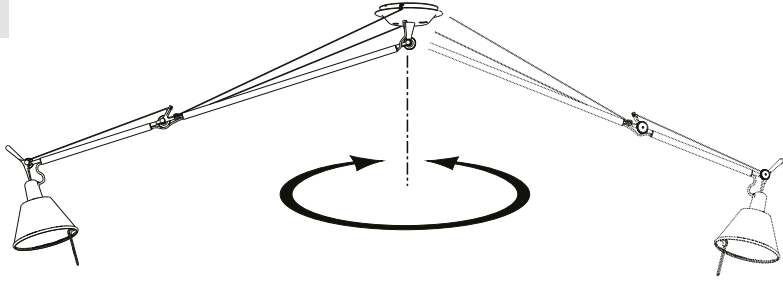


10b

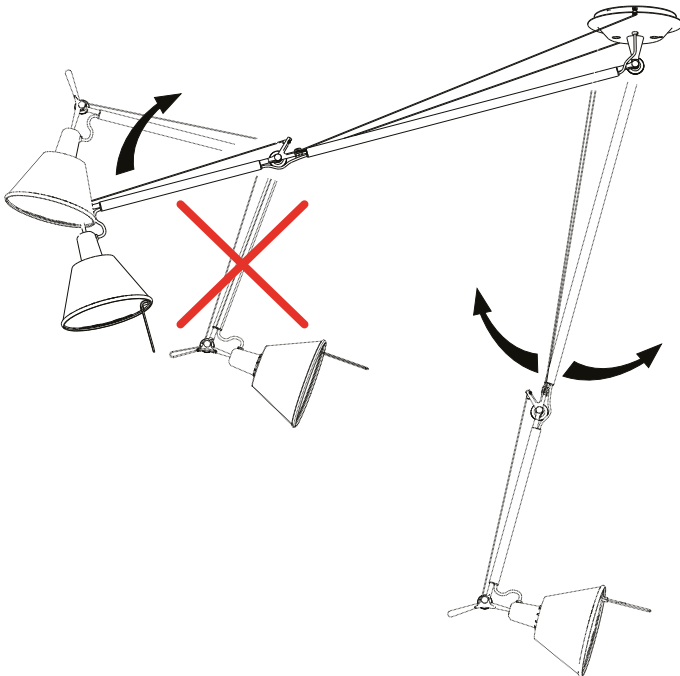




11

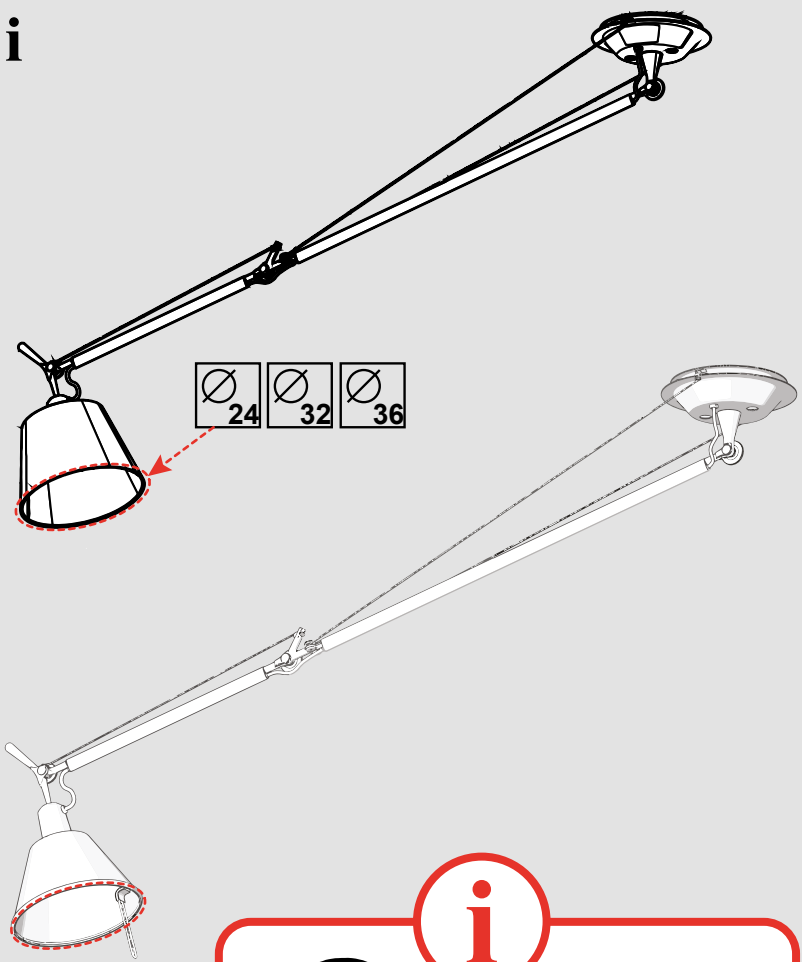


12





i



∅ 24	∅ 32	∅ 36
------	------	------

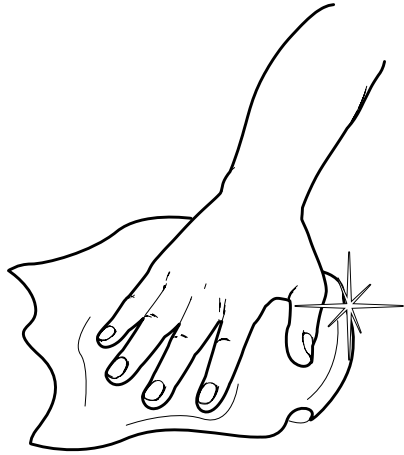
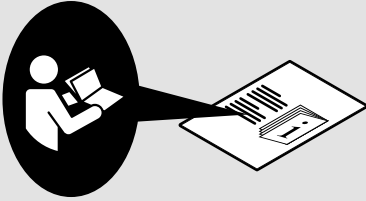
**i**

max  
130 g

Artemide®

XXX W



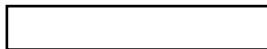


/





**Artemide®**



**Artemide**

via Bergamo, 18  
20006 Pregnana M.se (MI)  
ITALIA

tel. +39 02 935 181  
fax +39 02 935 90 254  
fax +39 02 935 90 496

[www.artemide.com](http://www.artemide.com)

VAT IT00846890150

cod. Y513001195B