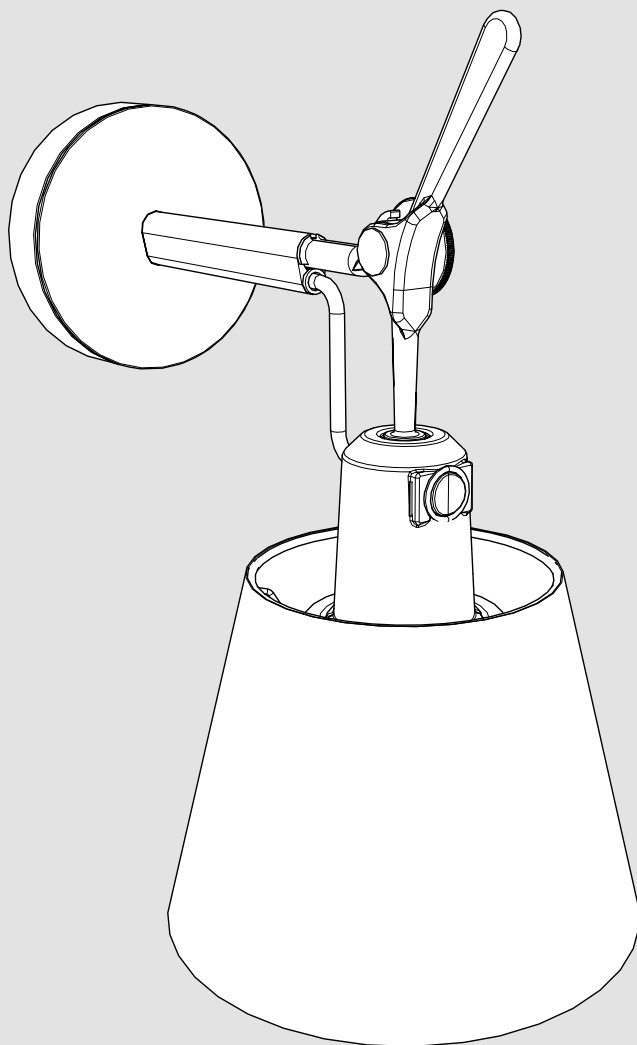


# Artemide®

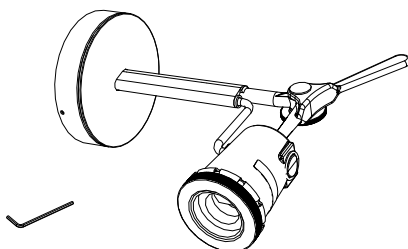
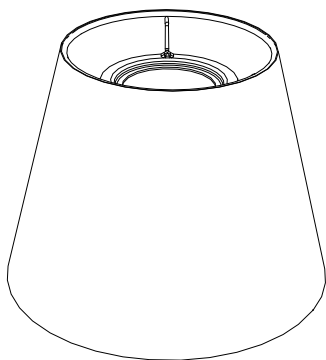
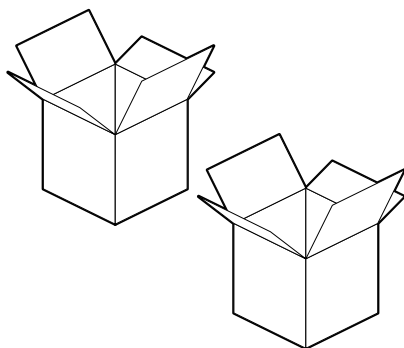
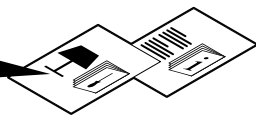
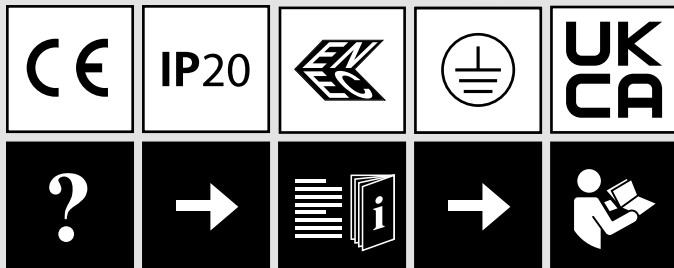
## Tolomeo Parete Diffusore 18-24-32

design  
M. De Lucchi  
G. Fassina

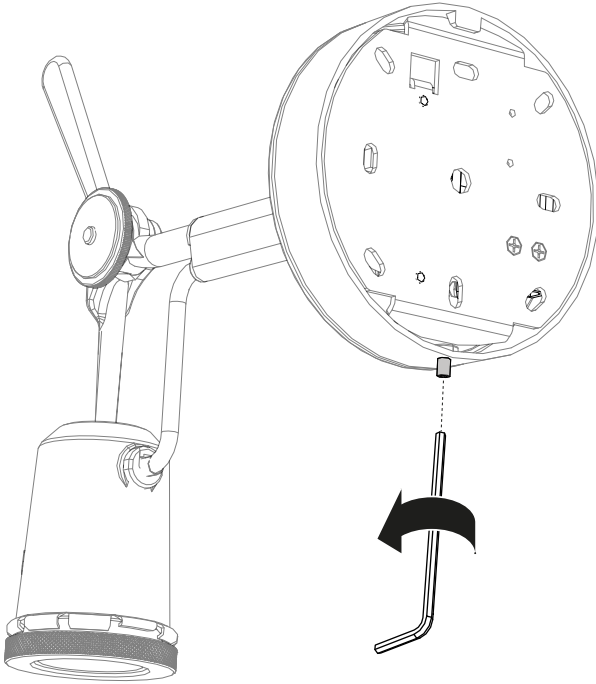




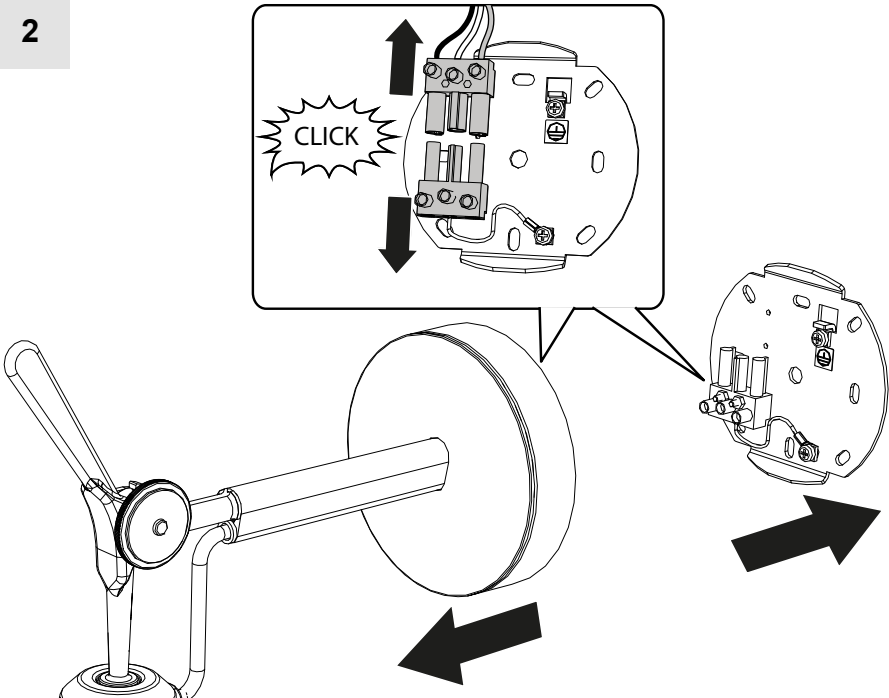
i

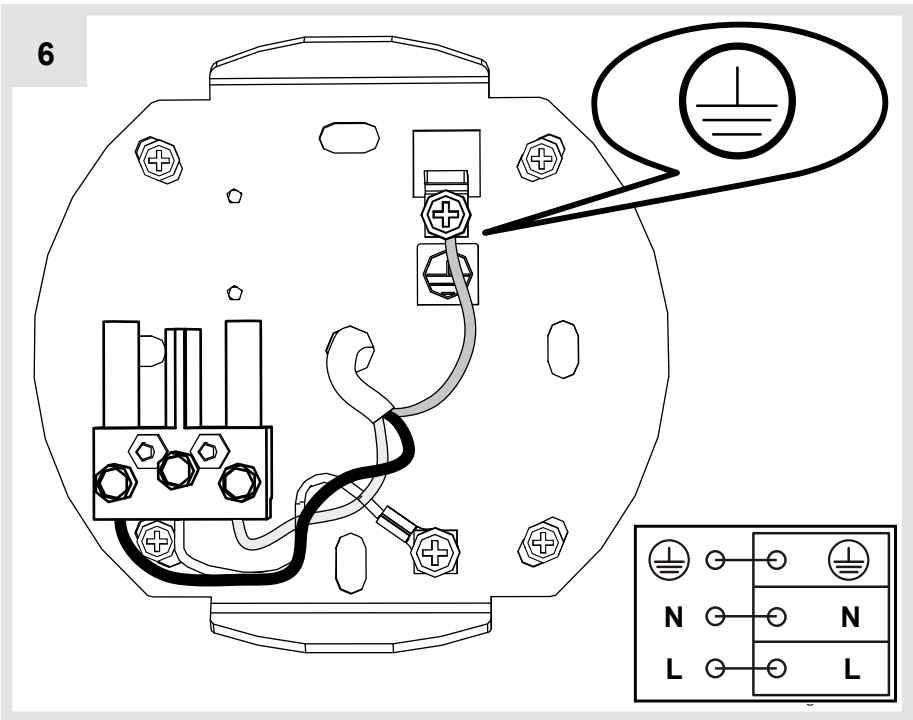
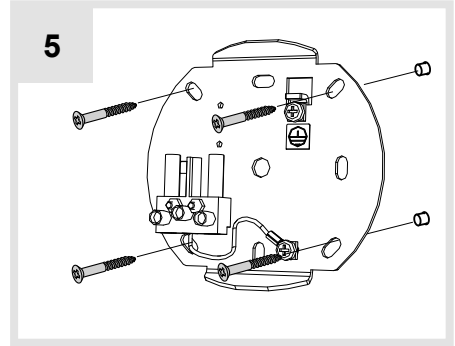
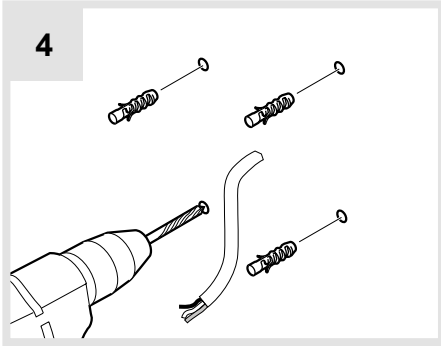
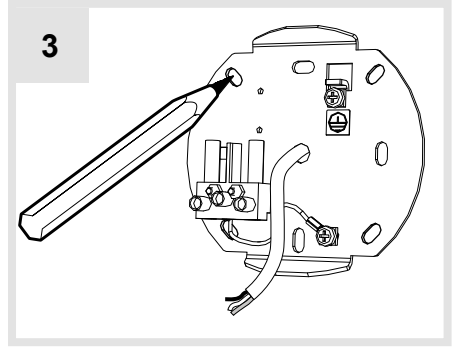
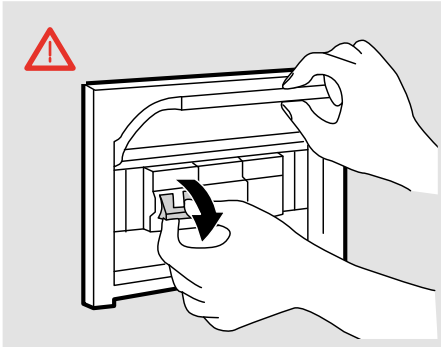


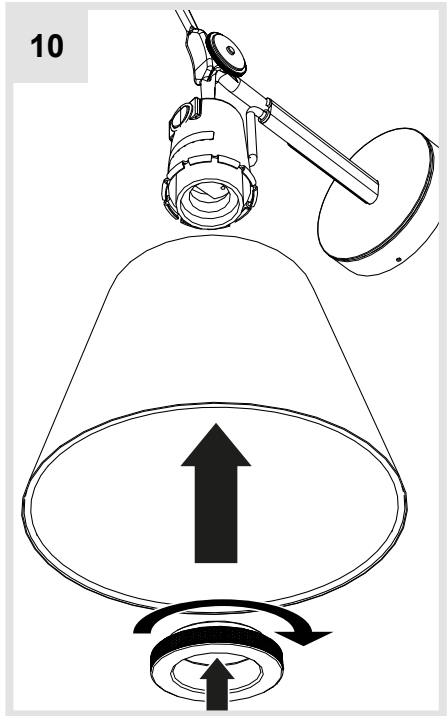
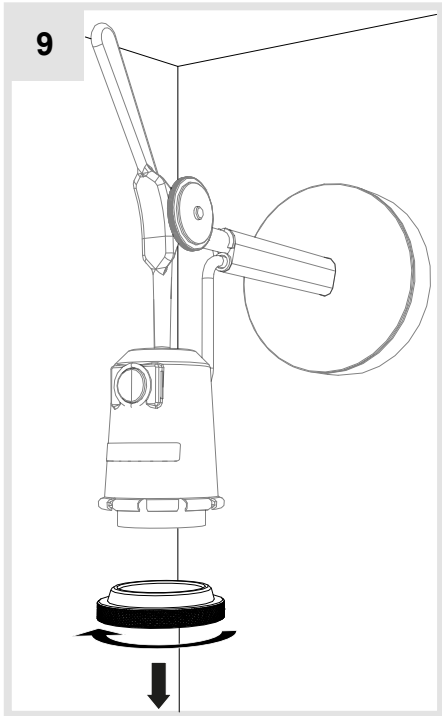
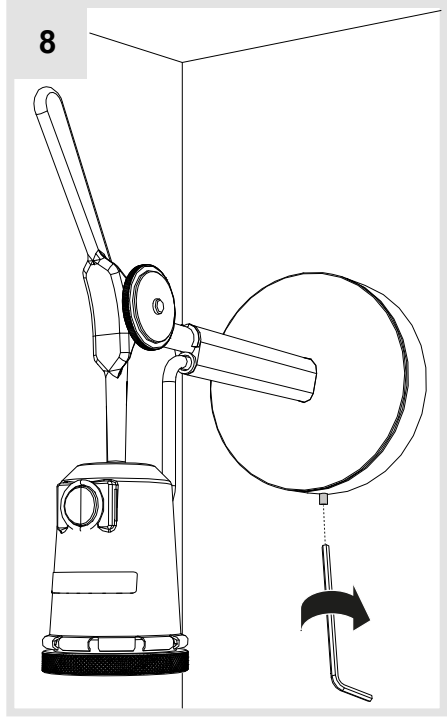
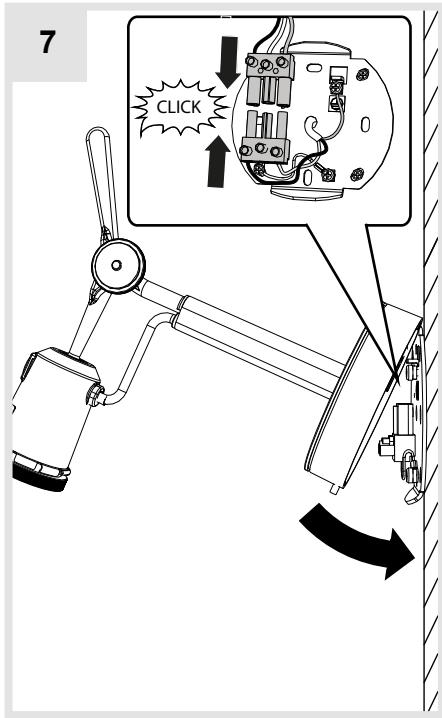
1

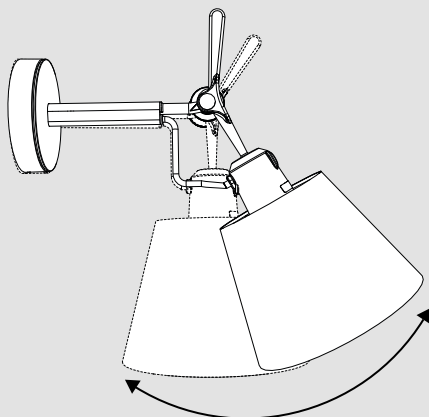
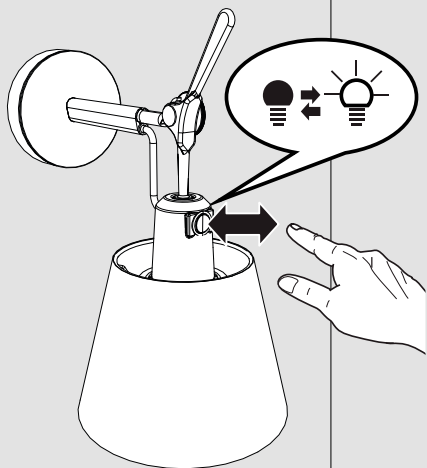


2





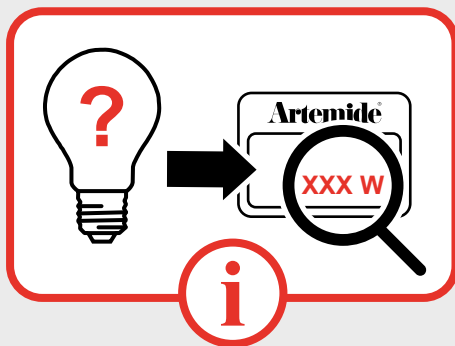
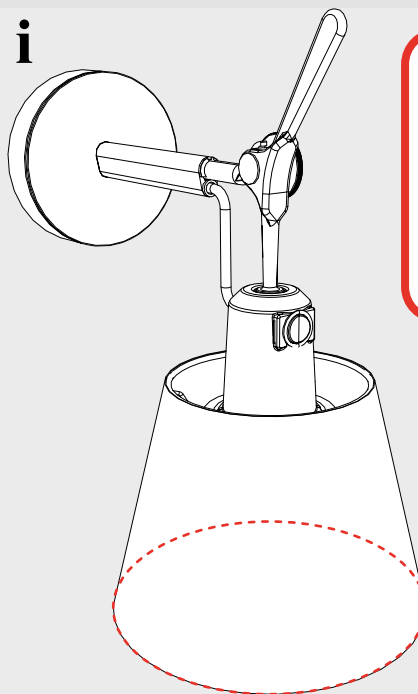


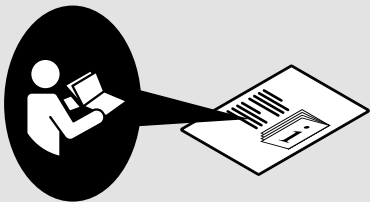


Max 30°

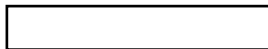


**i**





**Artemide®**



**Artemide**

via Bergamo, 18  
20006 Pregnana M.se (MI)  
ITALIA

tel. +39 02 935 181  
fax +39 02 935 90 254  
fax +39 02 935 90 496

[www.artemide.com](http://www.artemide.com)

VAT IT00846890150

cod. Y513001193A