

Artemide®

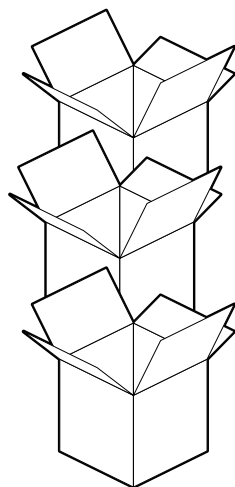
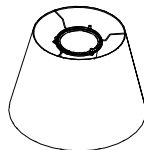
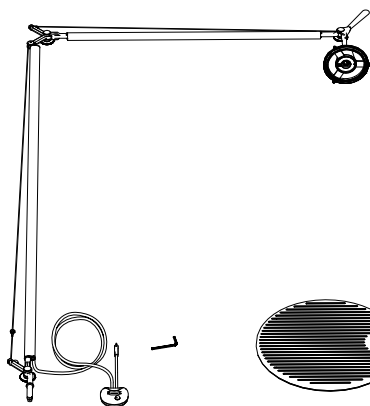
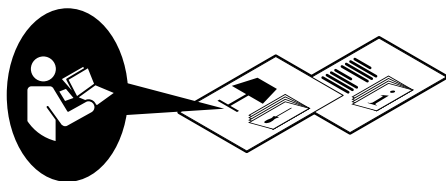
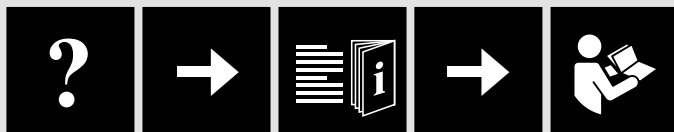
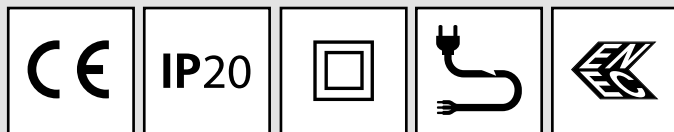
TOLOMEO MAXI

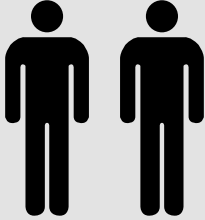
design
M. De Lucchi
G. Fassina



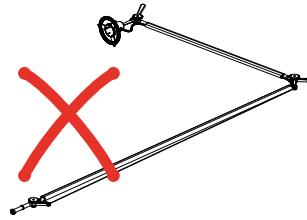
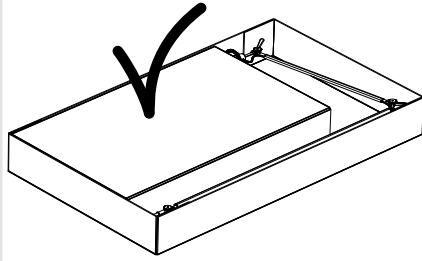


i

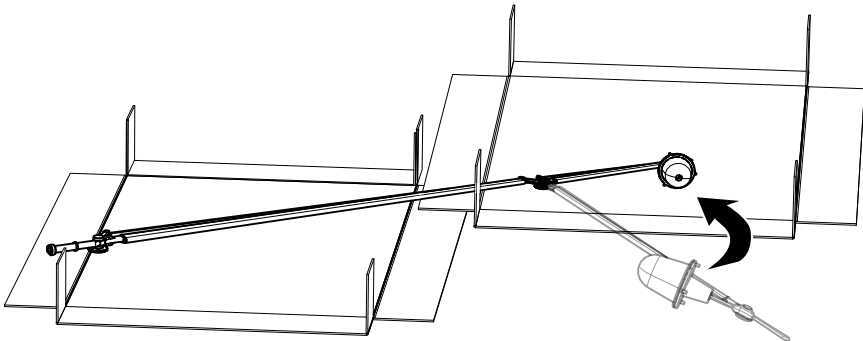
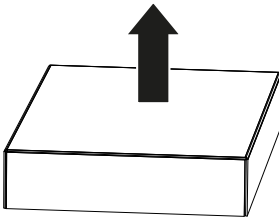




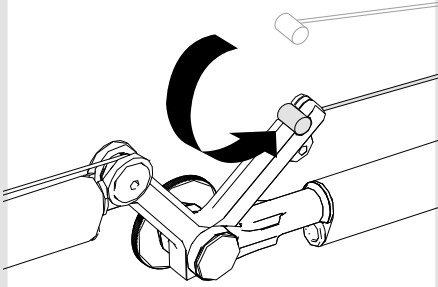
1



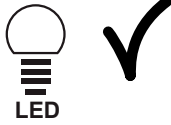
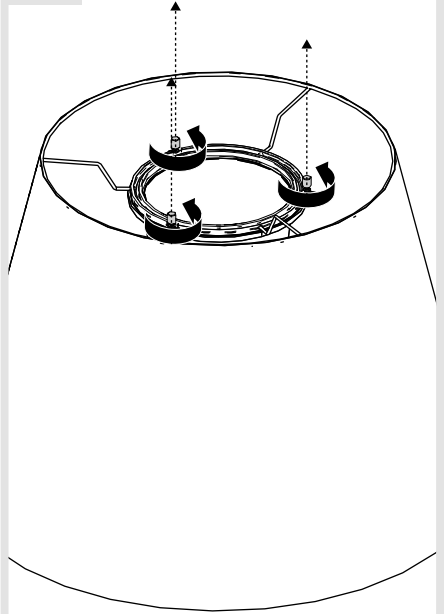
2



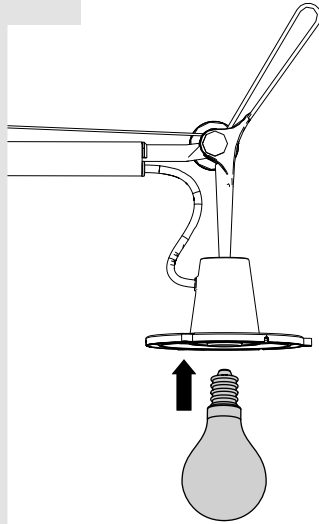
3

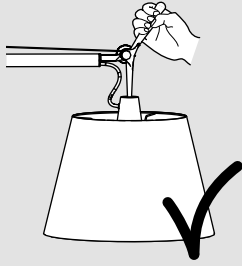


4

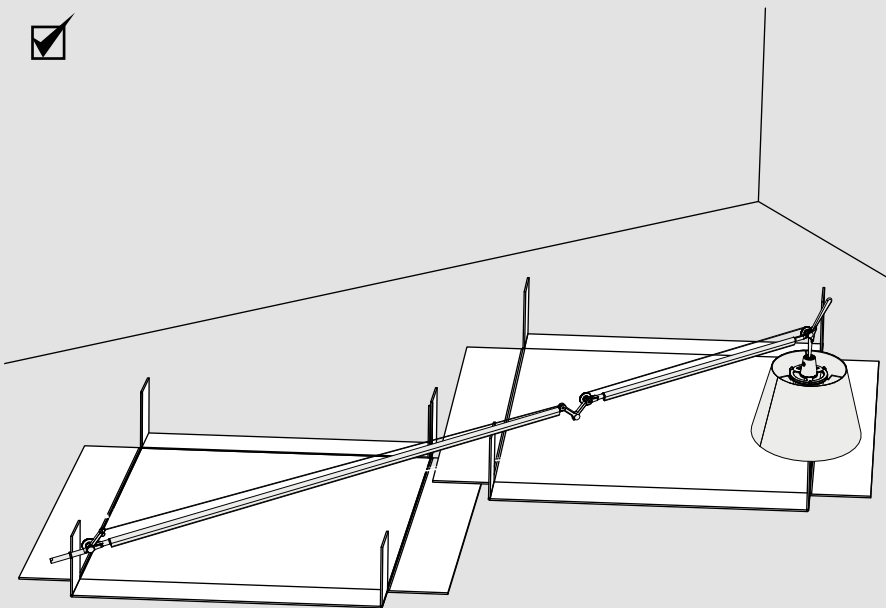
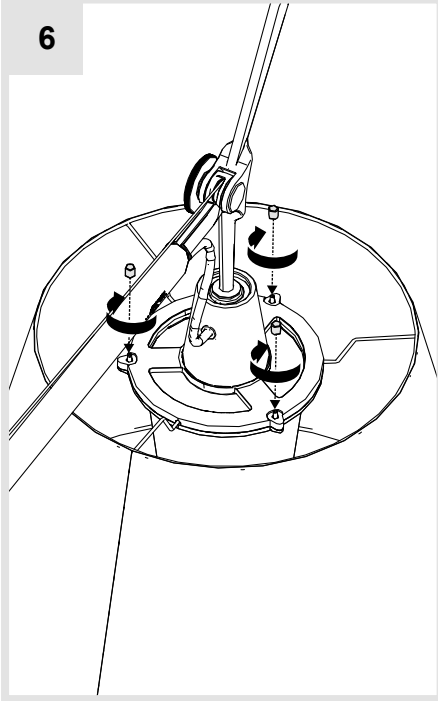


5

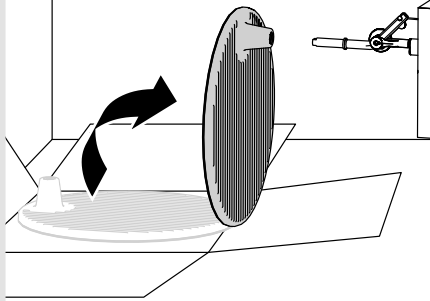




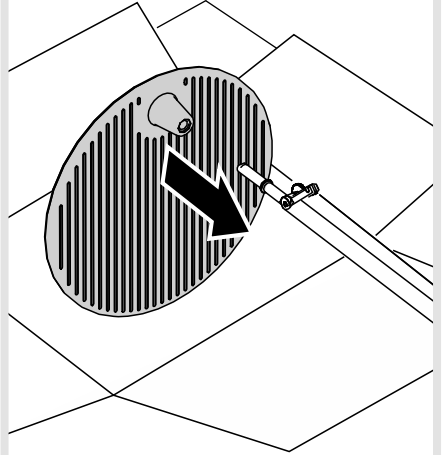
6



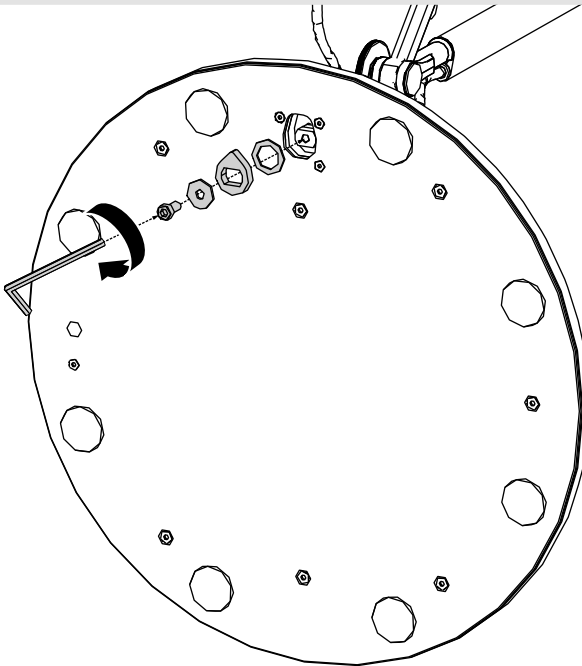
7



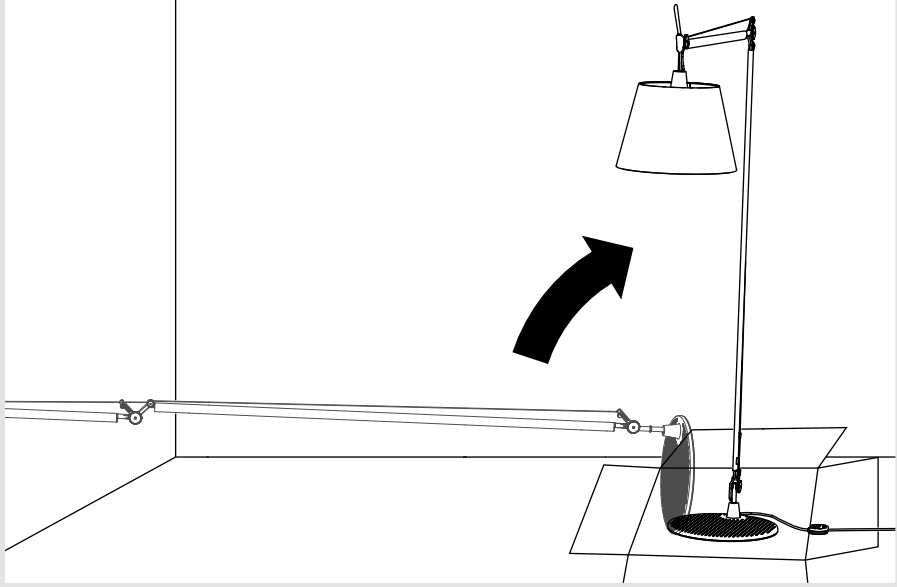
8



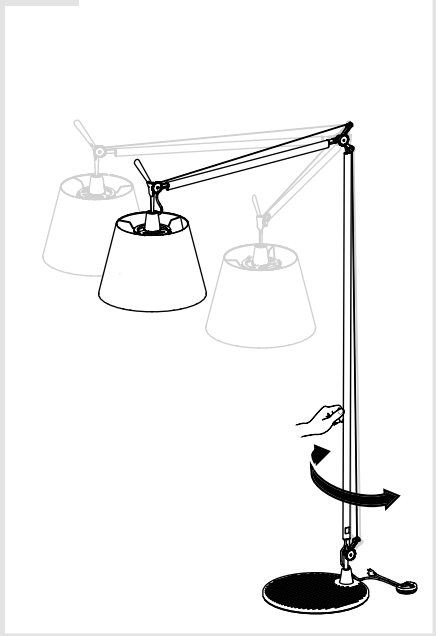
9



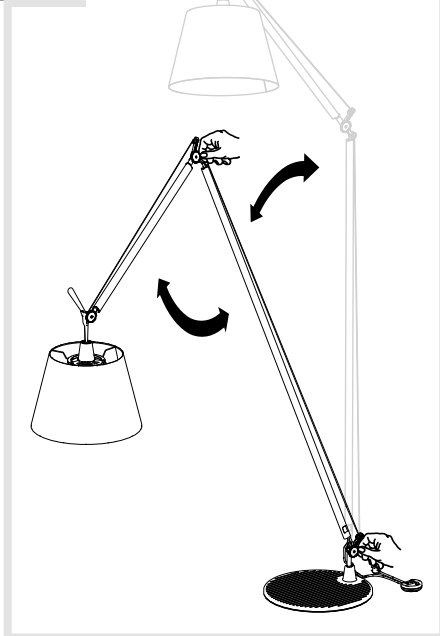
10



11

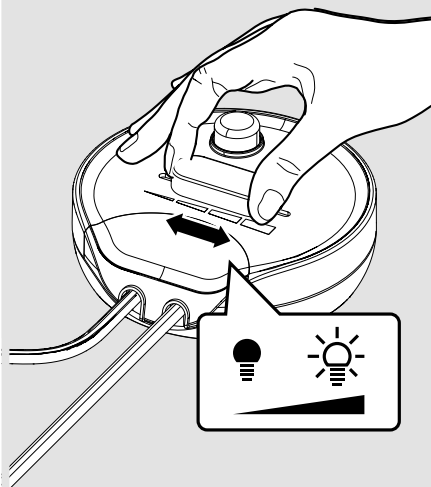


12

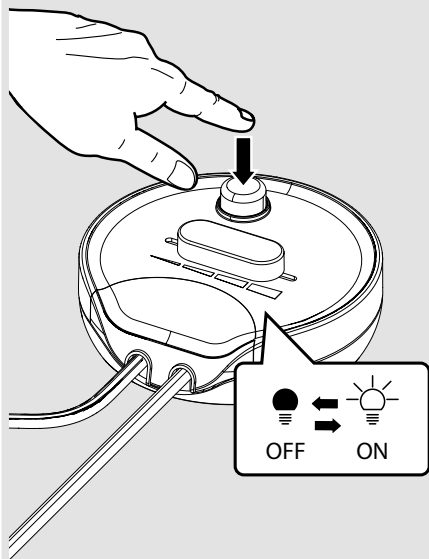




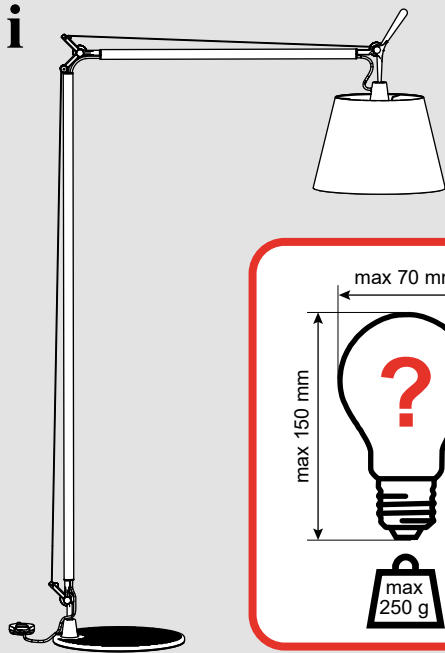
i



i



i



i

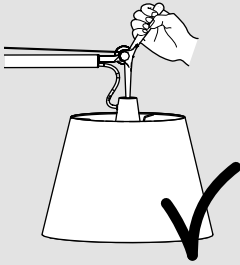
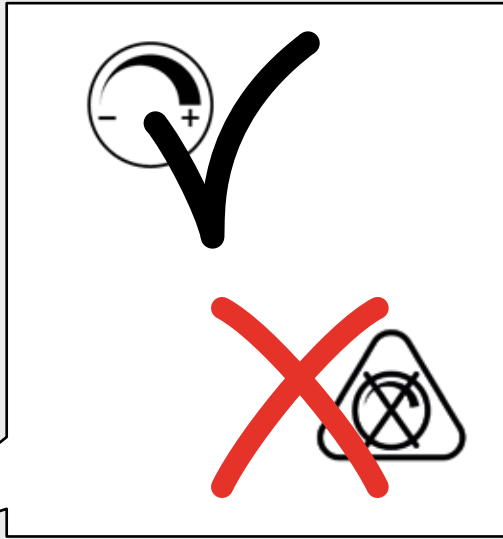
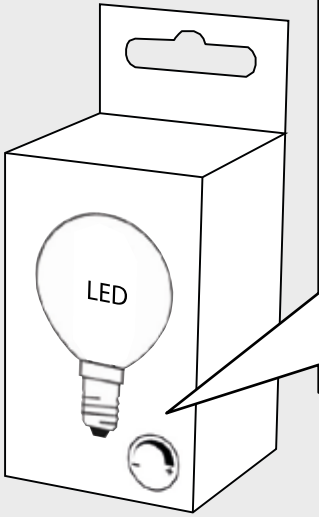
max 70 mm

max 150 mm

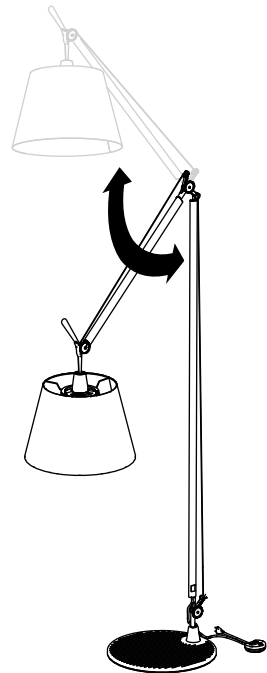
max 250 g

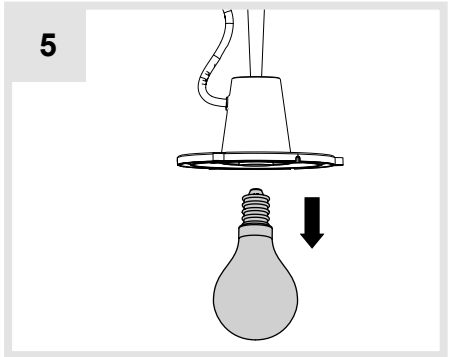
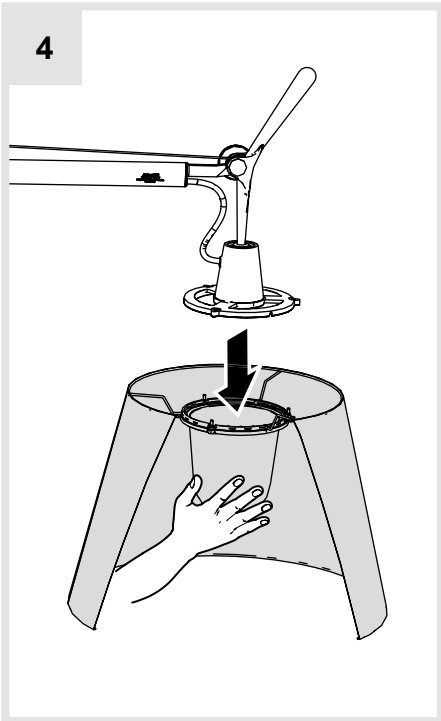
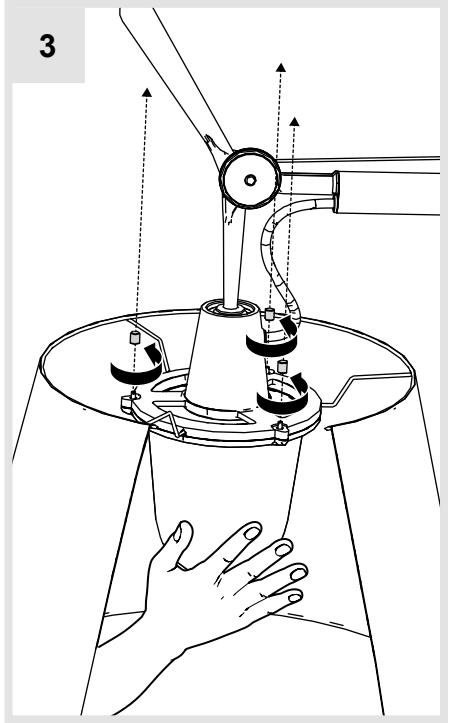
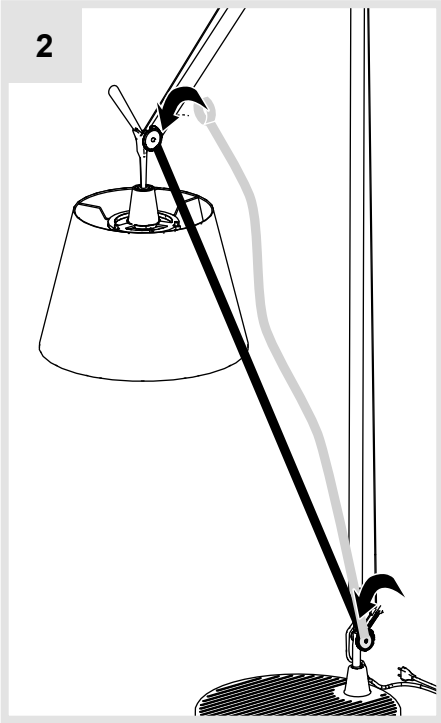
Artemide®

XXX W

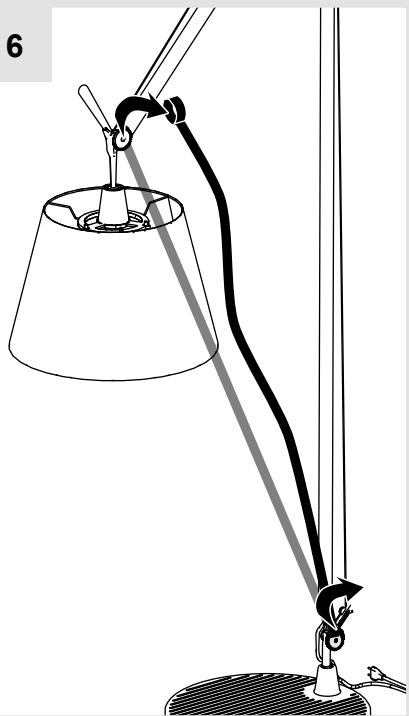


1

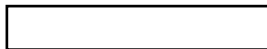




6



Artemide®



Artemide

via Bergamo, 18
20006 Pregnana M.se (MI)
ITALIA

tel. +39 02 935 181
fax +39 02 935 90 254
fax +39 02 935 90 496

www.artemide.com

VAT IT00846890150

cod. Y513000826C