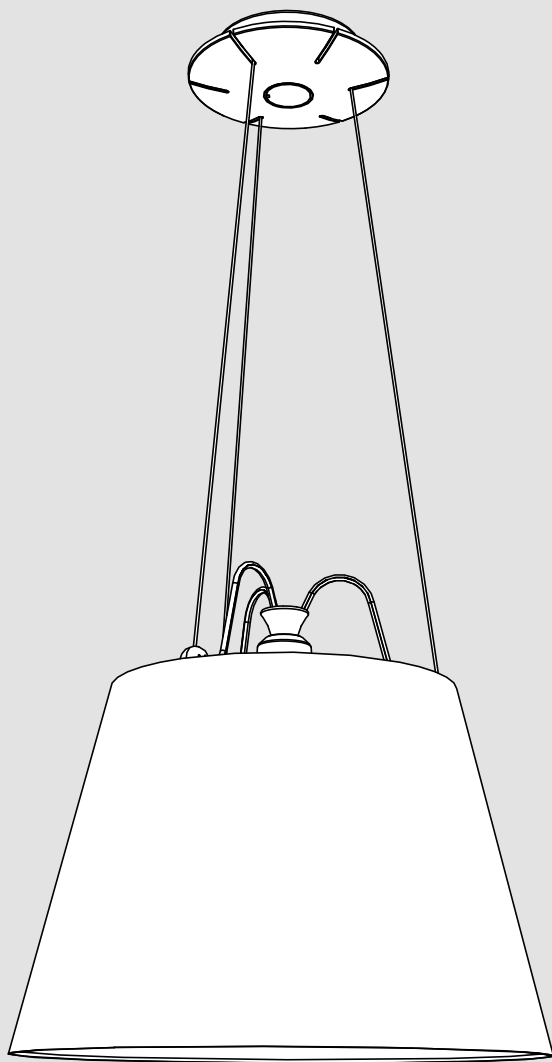


Artemide®

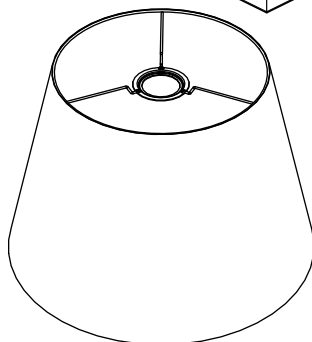
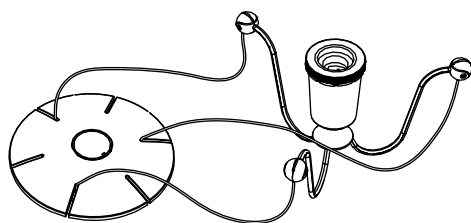
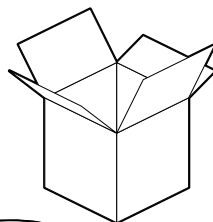
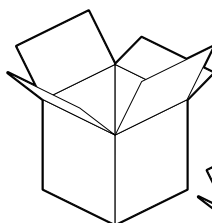
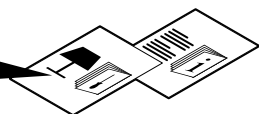
Tolomeo Mega Sospensione

design
M. De Lucchi
G. Fassina

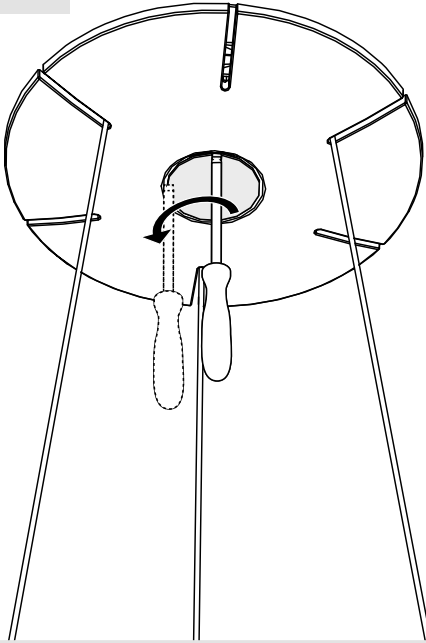




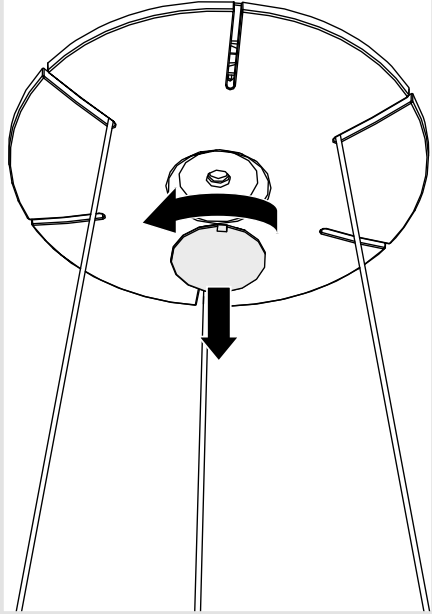
i



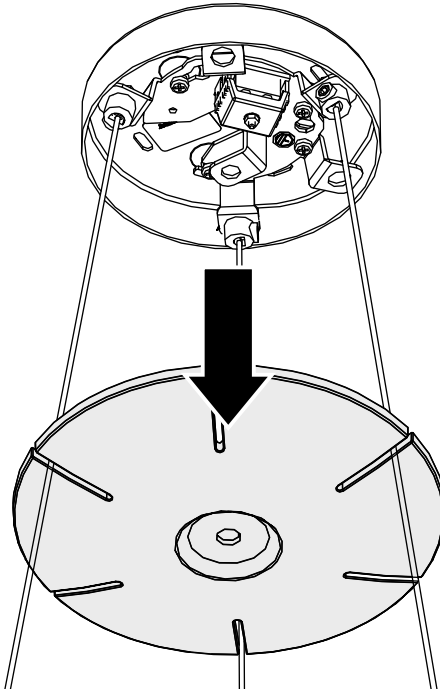
1

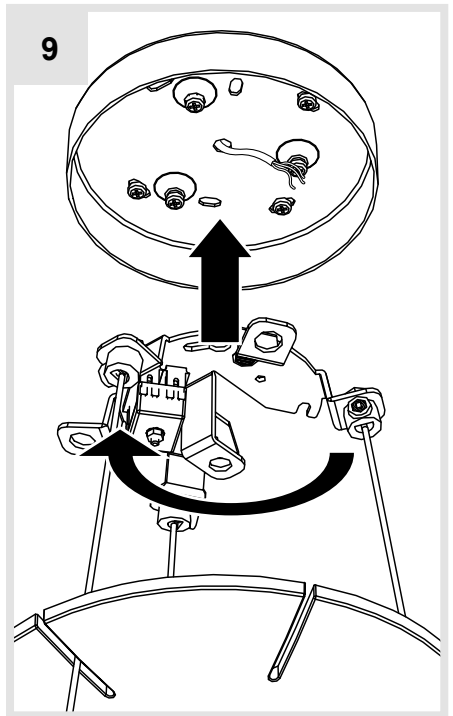
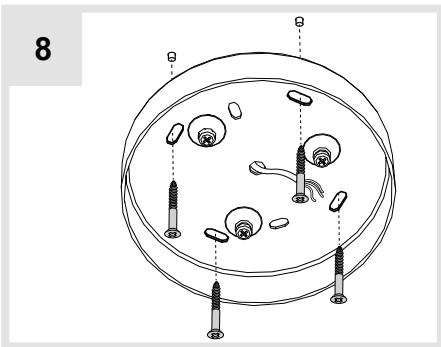
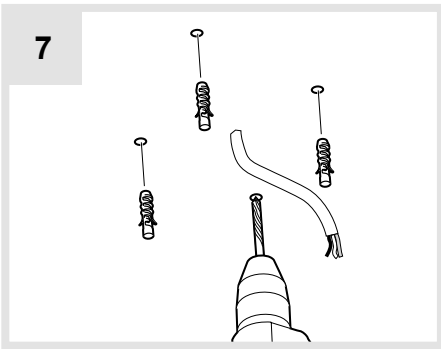
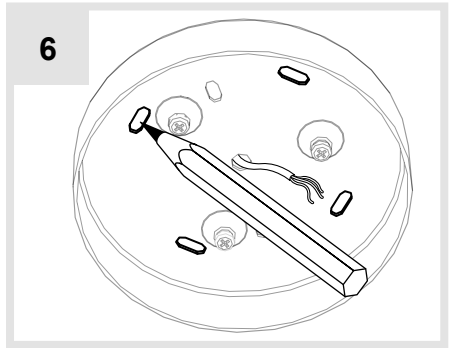
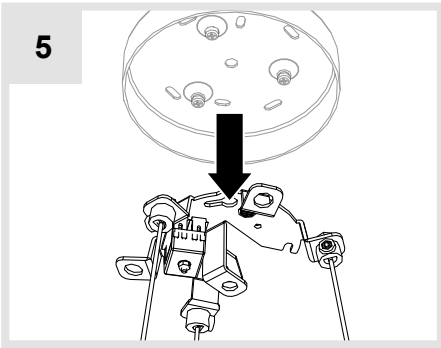
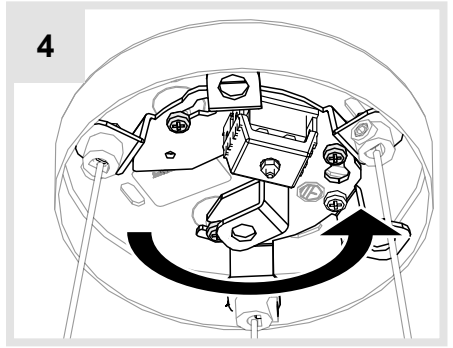
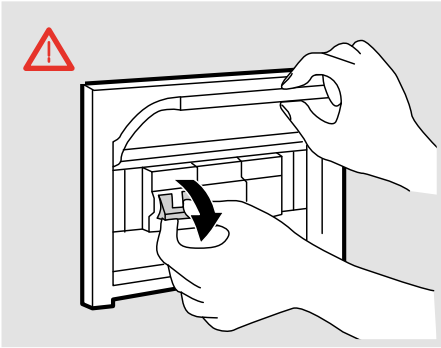


2

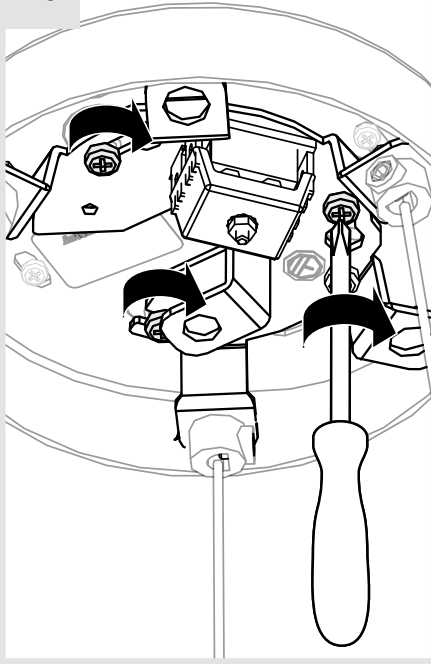


3

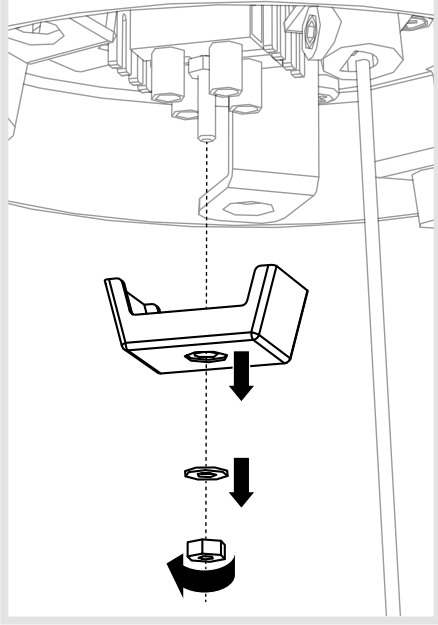




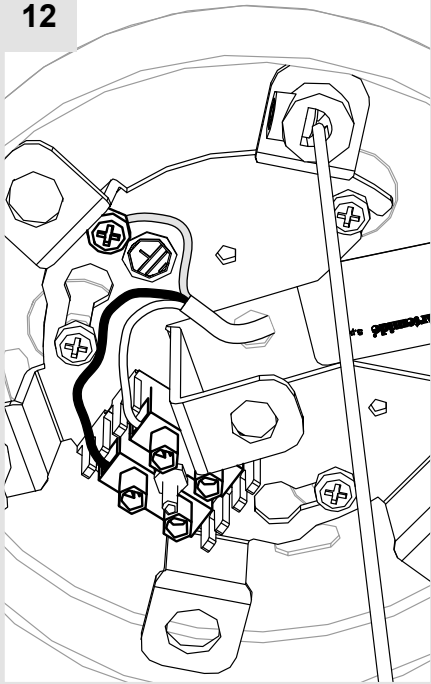
10



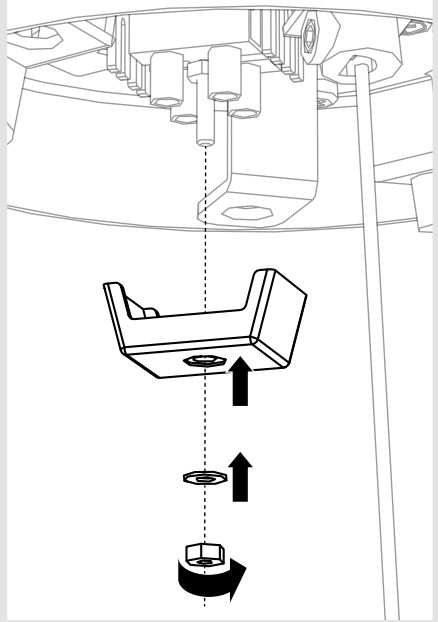
11

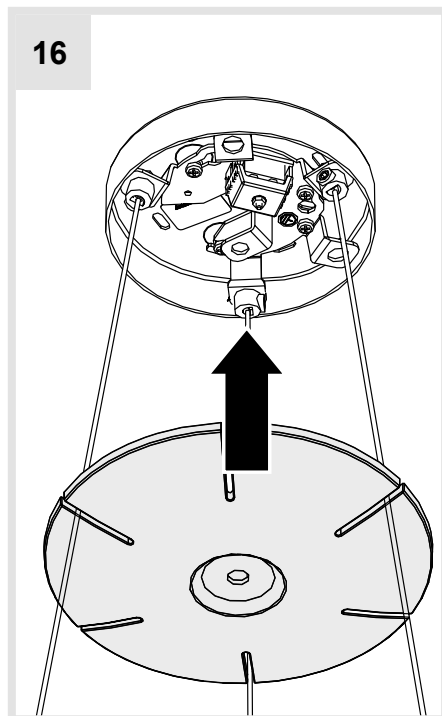
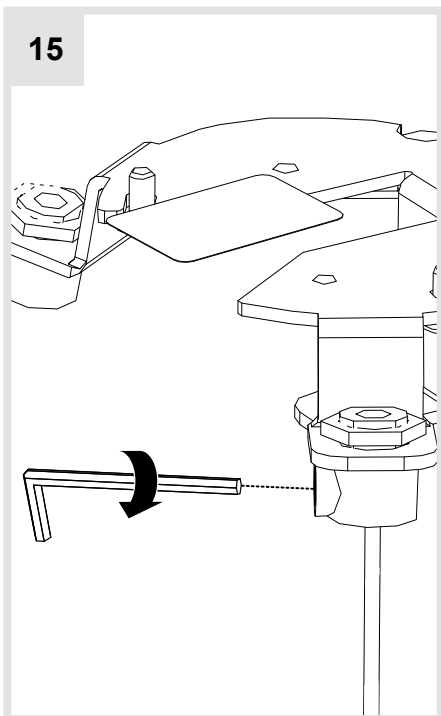
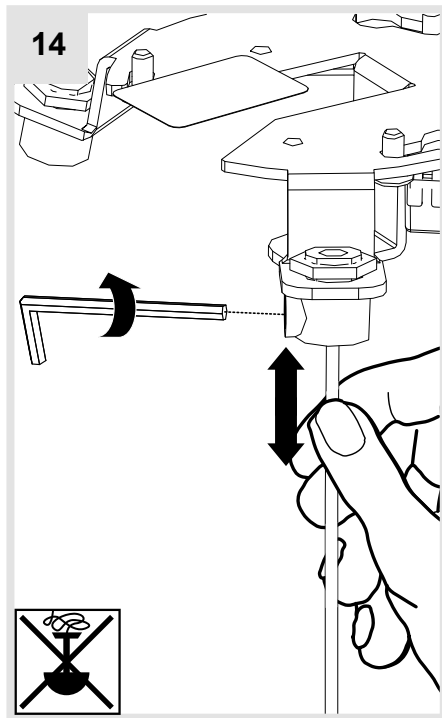
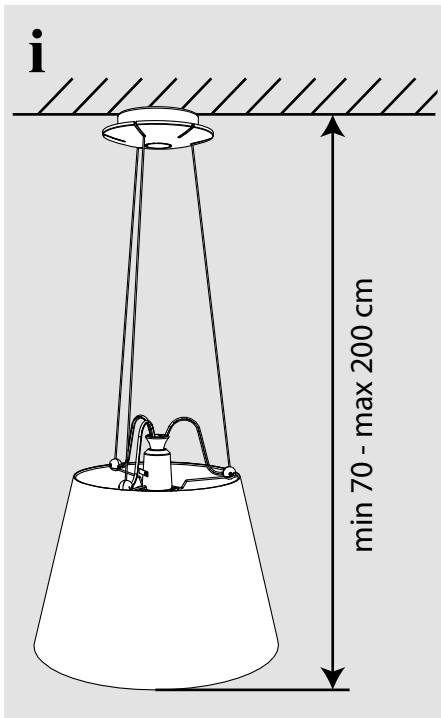


12

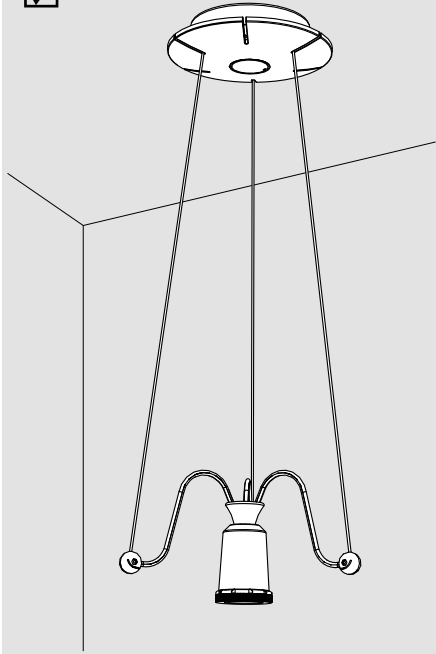
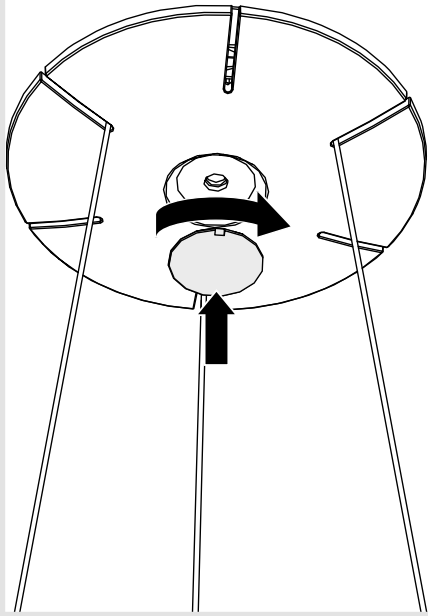


13

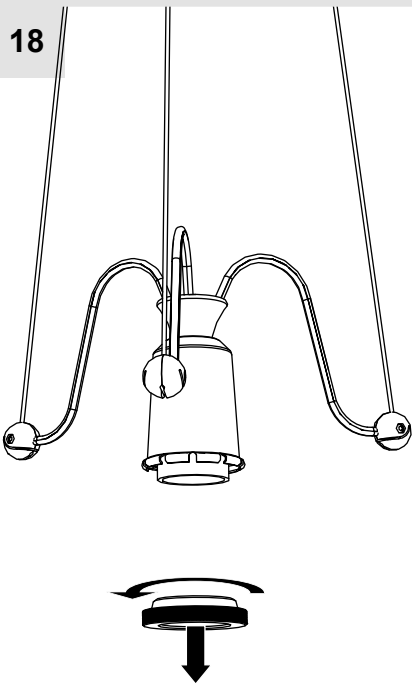




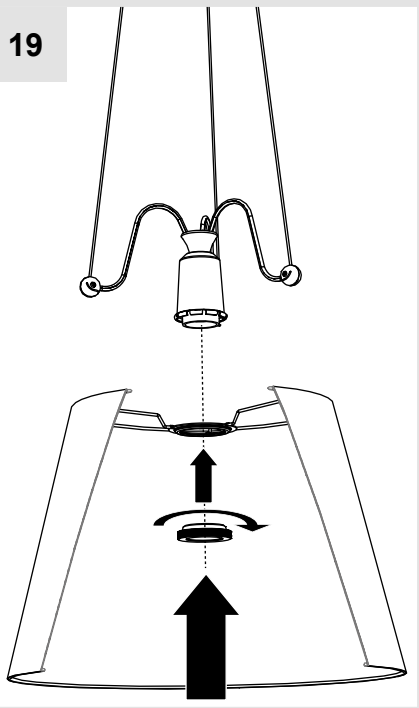
17

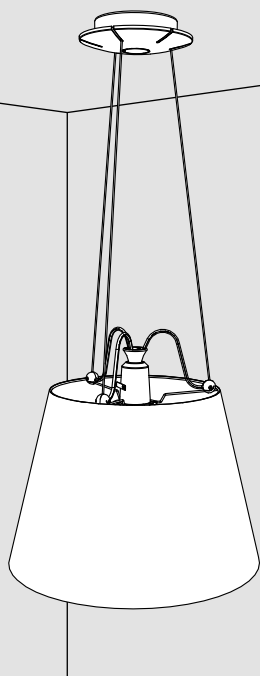
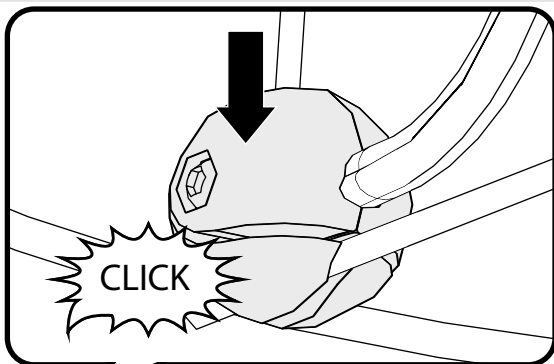
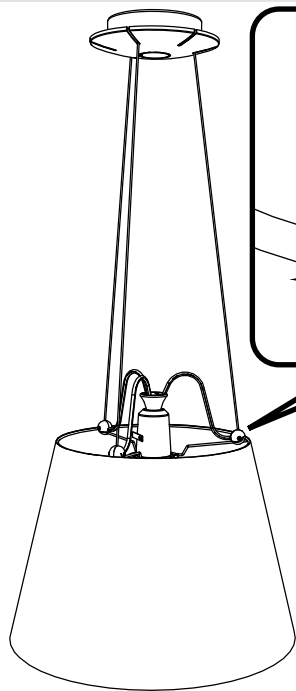


18



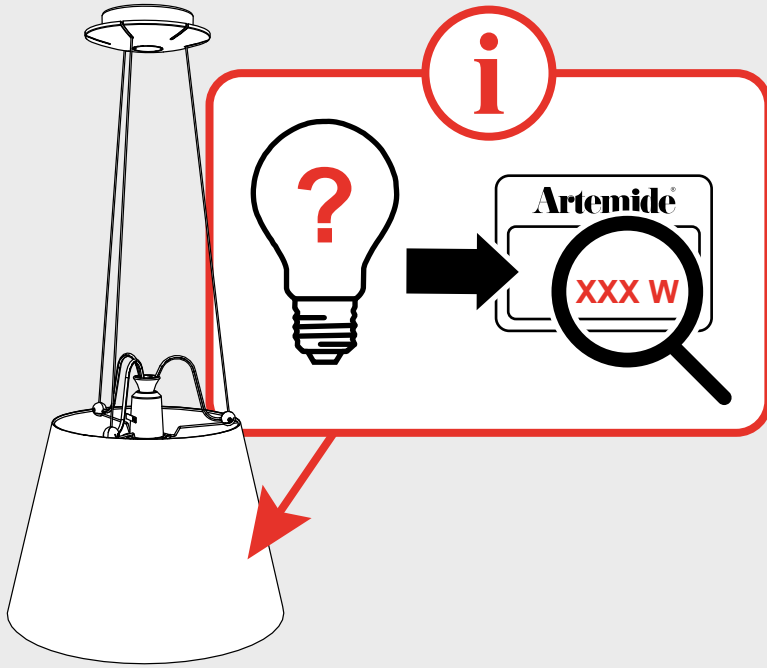
19



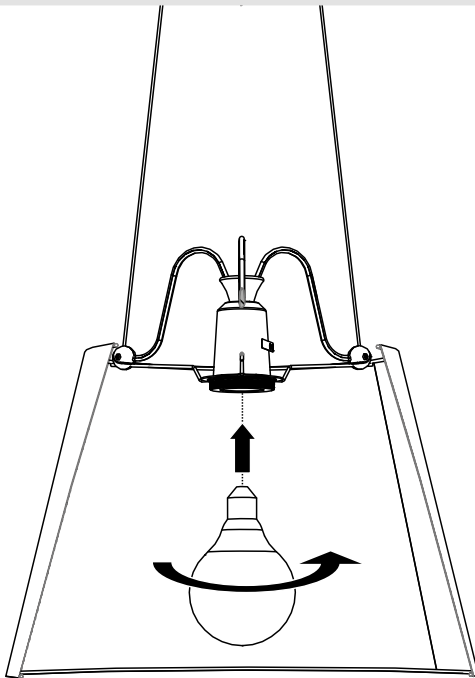


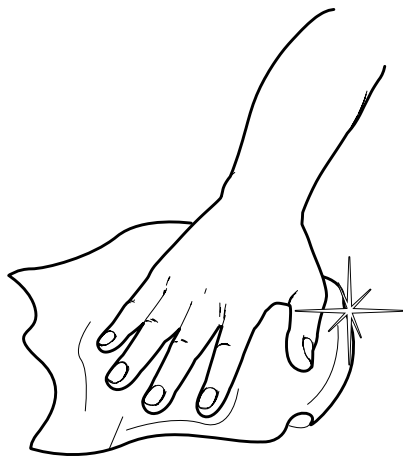
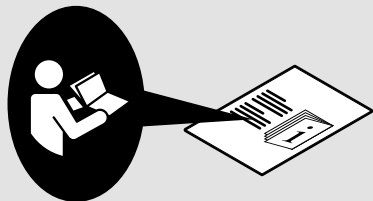


i

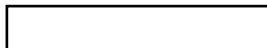


21





Artemide®



Artemide

via Bergamo, 18
20006 Pregnana M.se (MI)
ITALIA

tel. +39 02 935 181
fax +39 02 935 90 254
fax +39 02 935 90 496

www.artemide.com

VAT IT00846890150

cod. Y513000583C