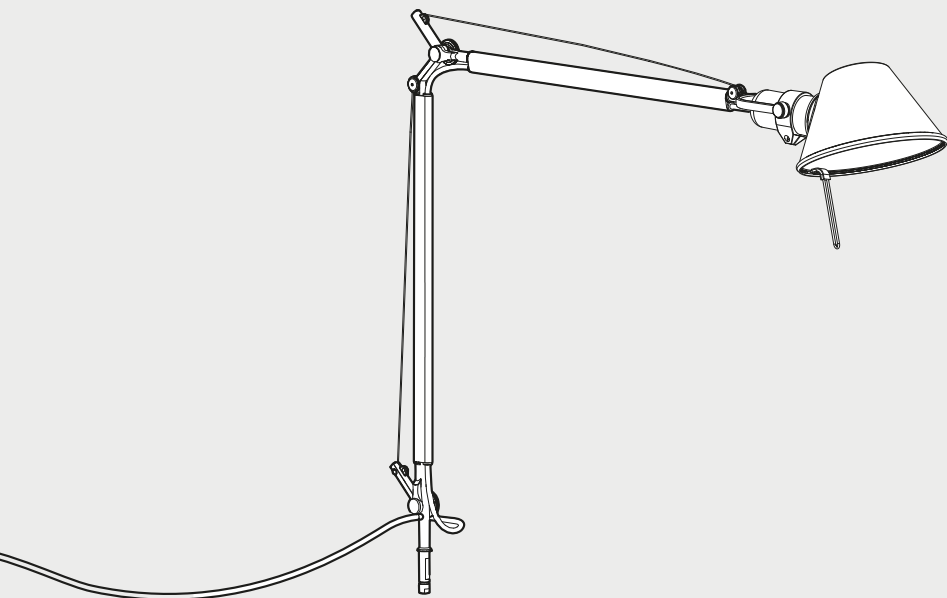


Artemide®

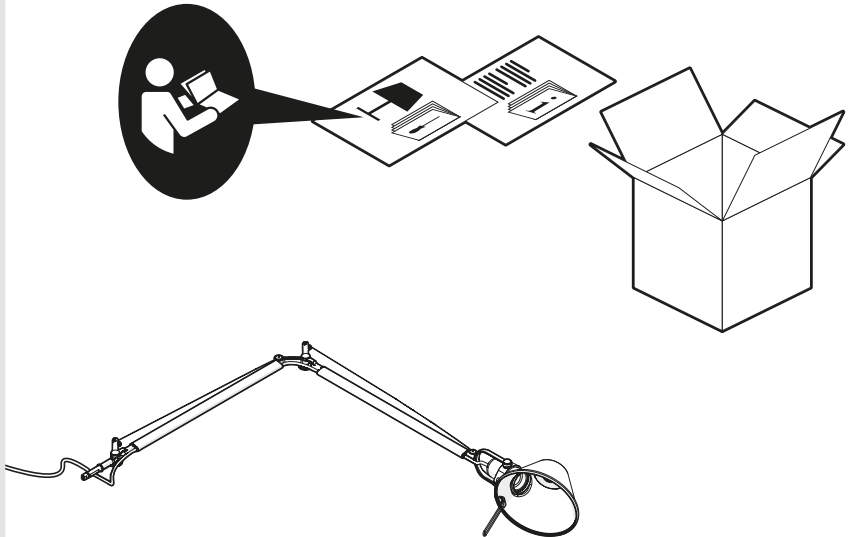
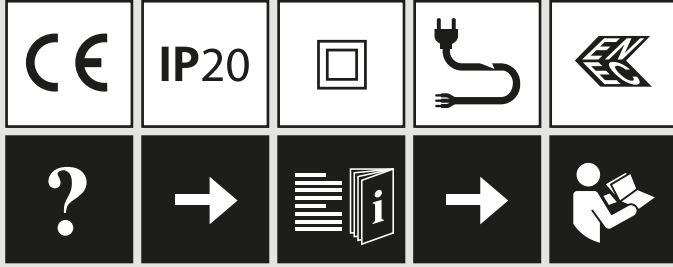
Tolomeo Micro

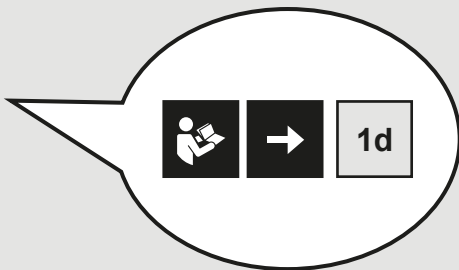
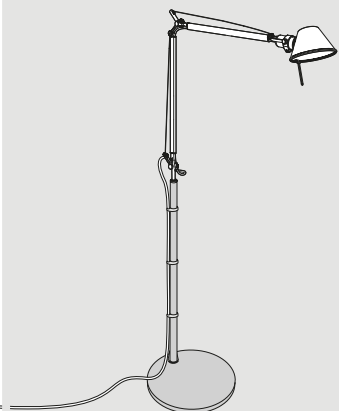
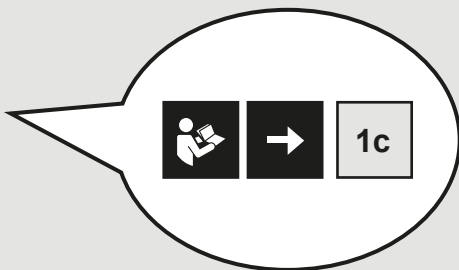
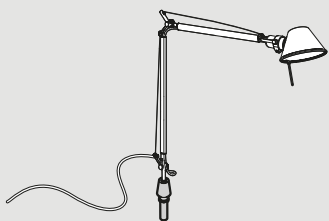
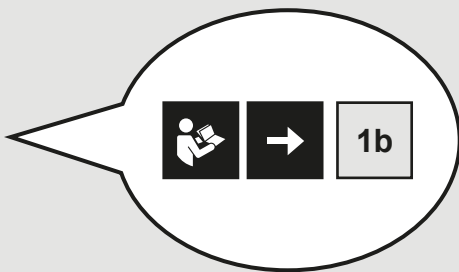
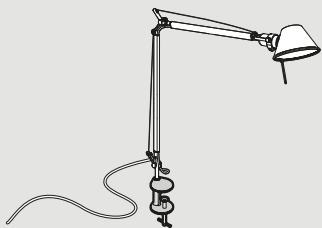
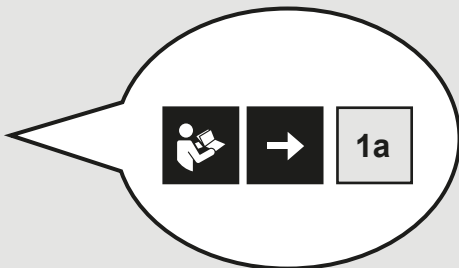
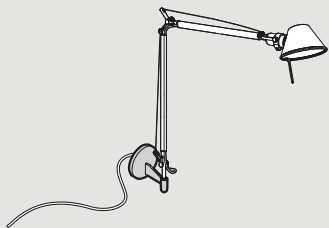
design
M. De Lucchi
G. Fassina



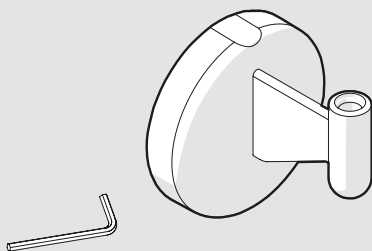


i

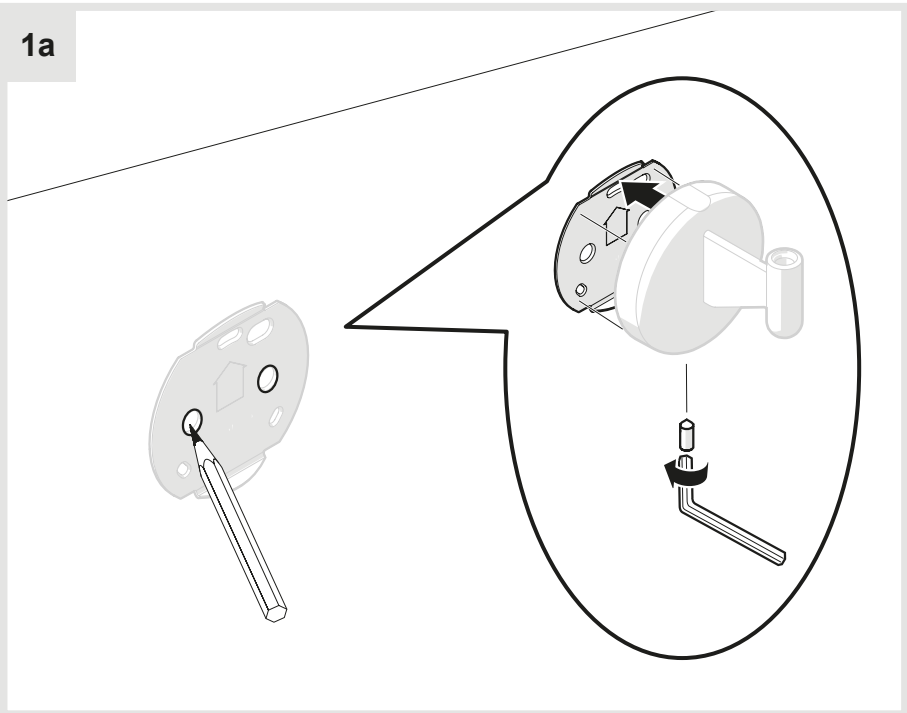




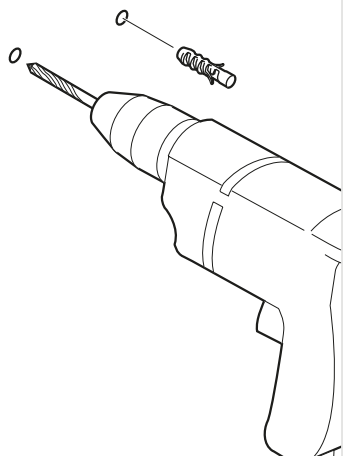
i



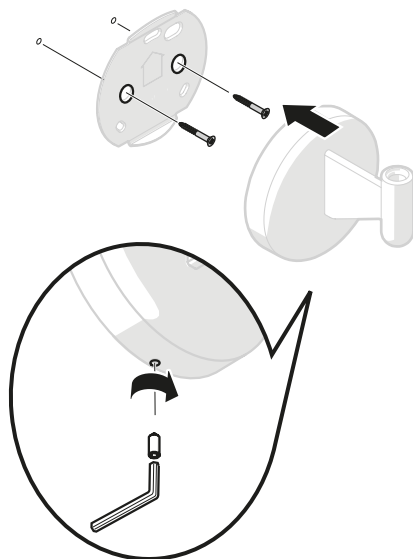
1a



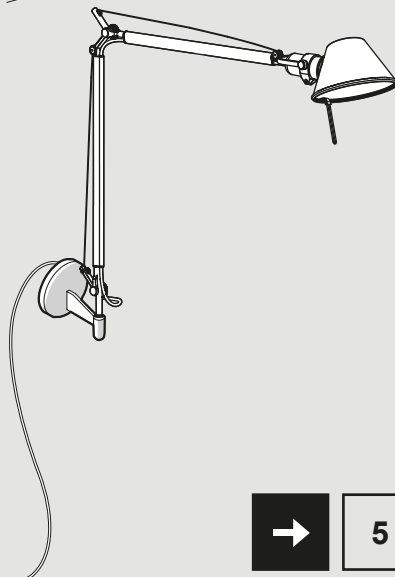
2a



3a

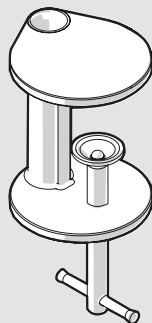


4a

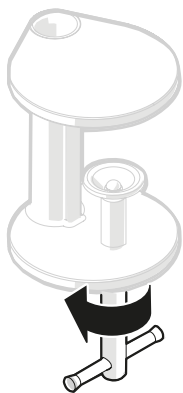


5

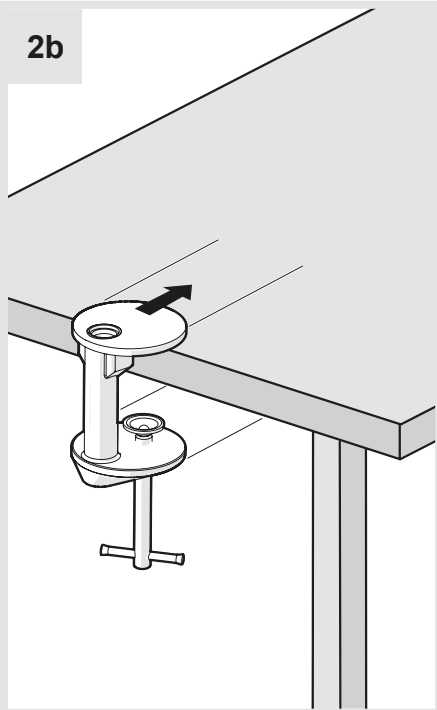
i



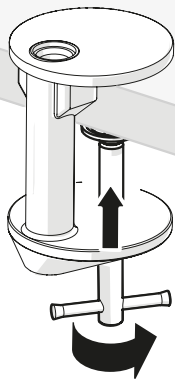
1b



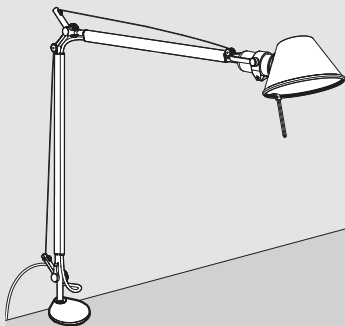
2b



3b

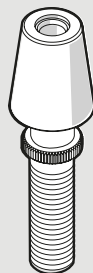


4b

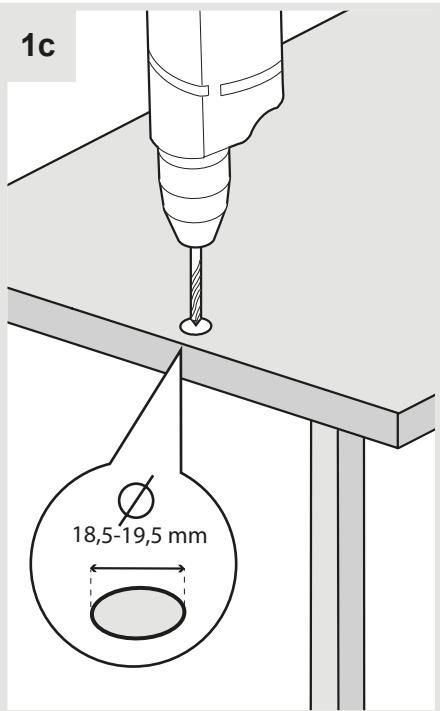


5

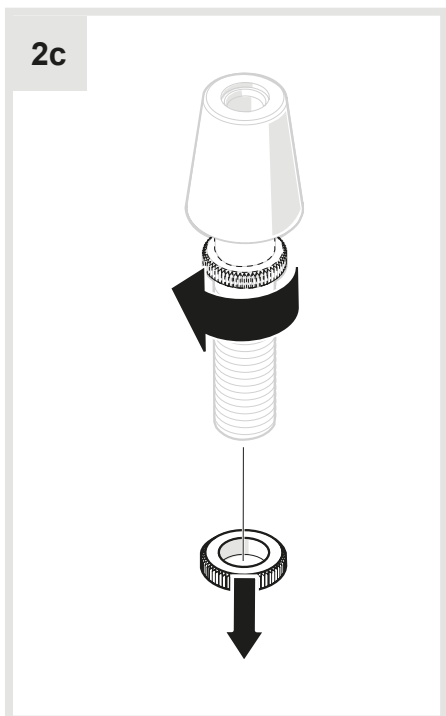
i



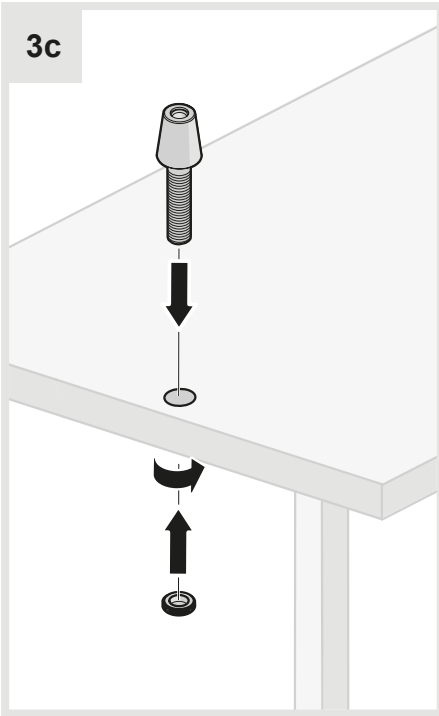
1c



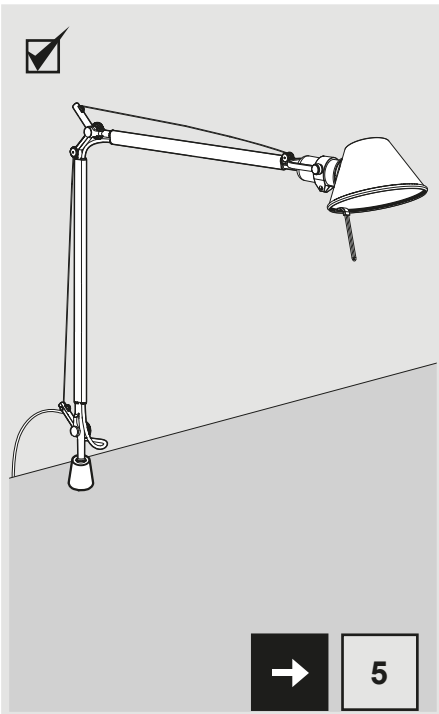
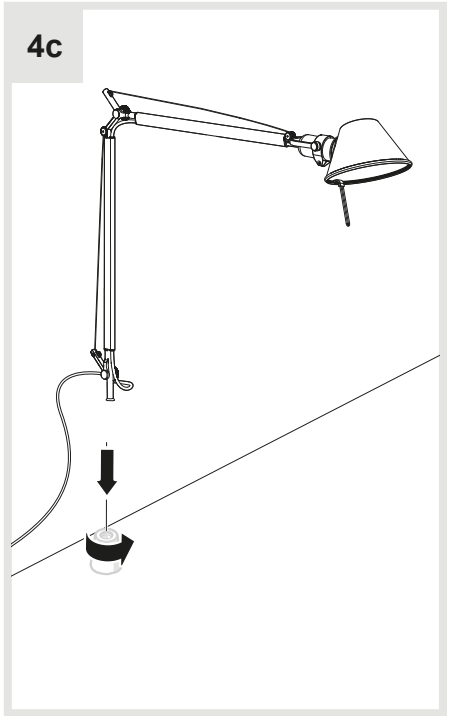
2c



3c

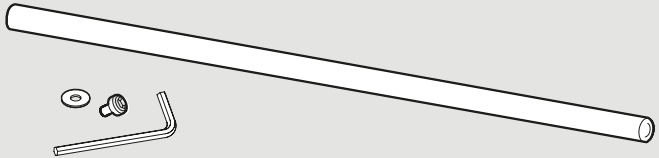
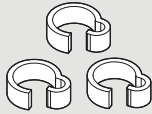
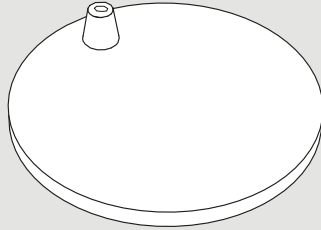


4c

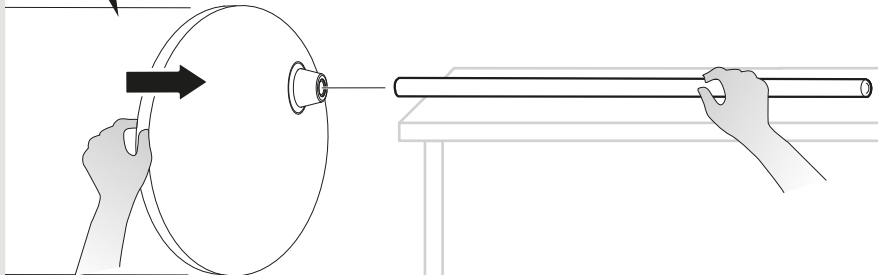
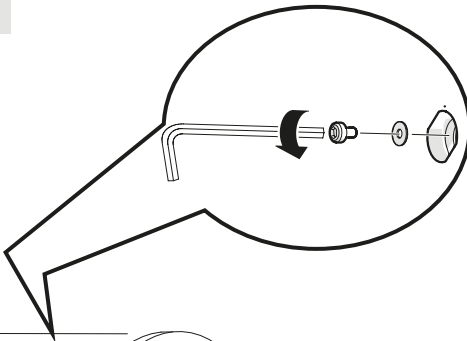


5

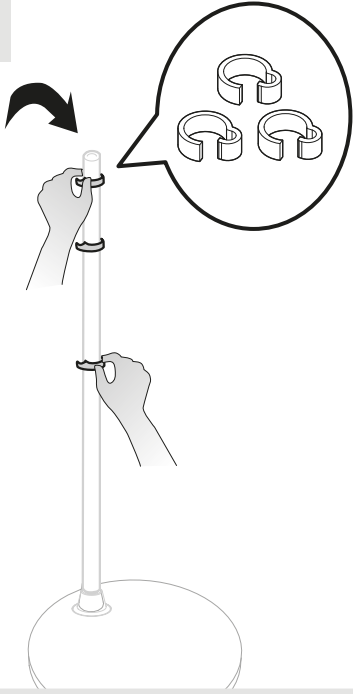
i



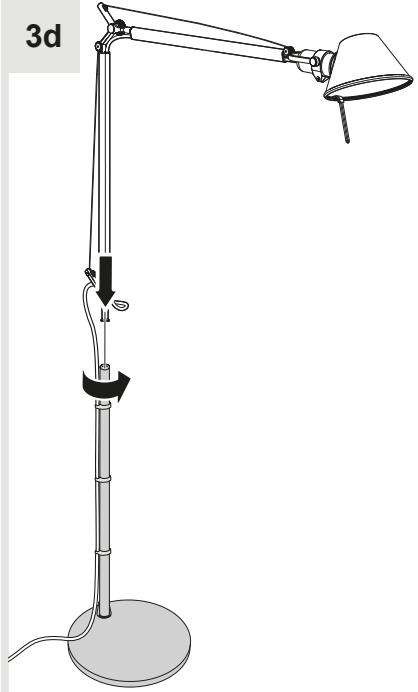
1d



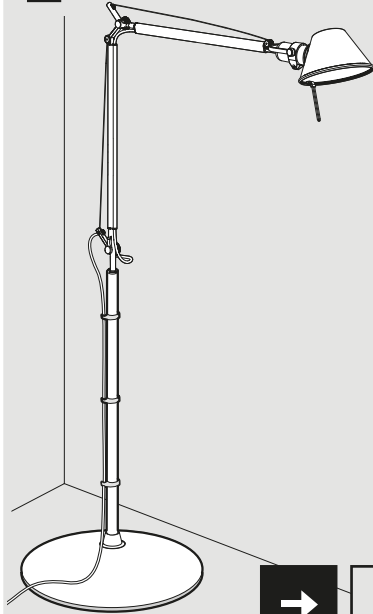
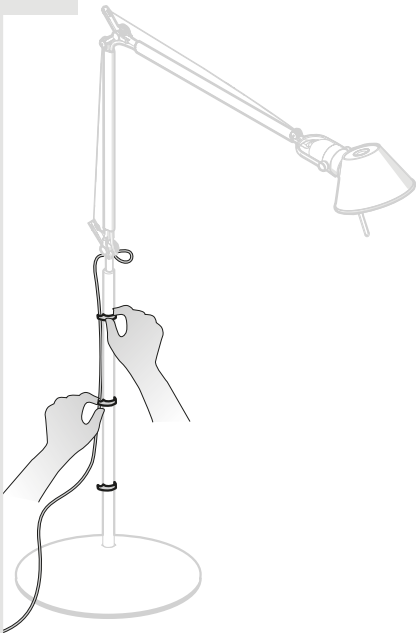
2d



3d



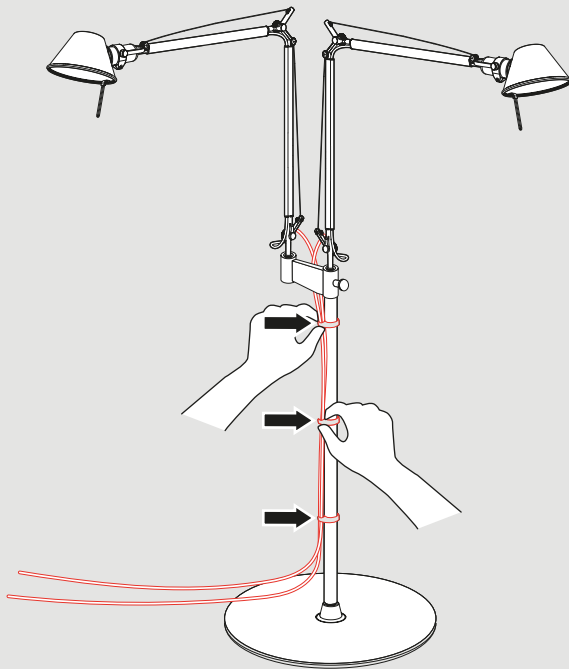
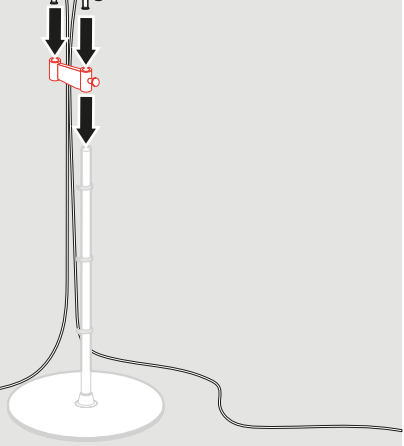
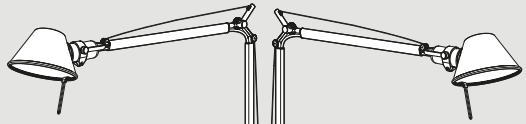
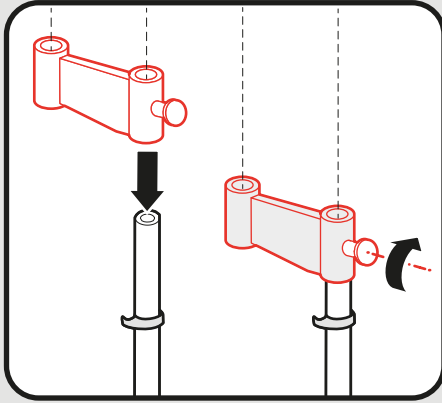
4d



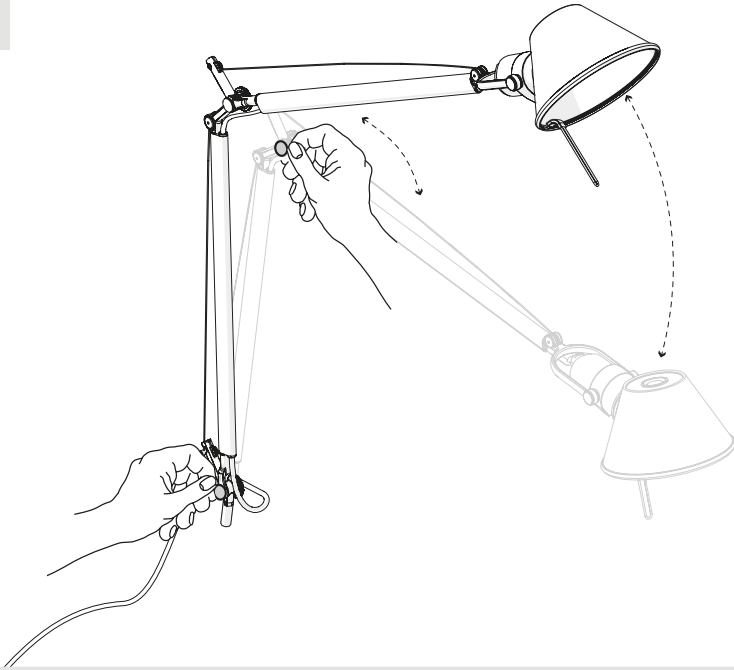
5

i

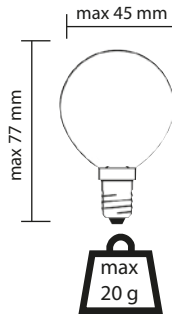
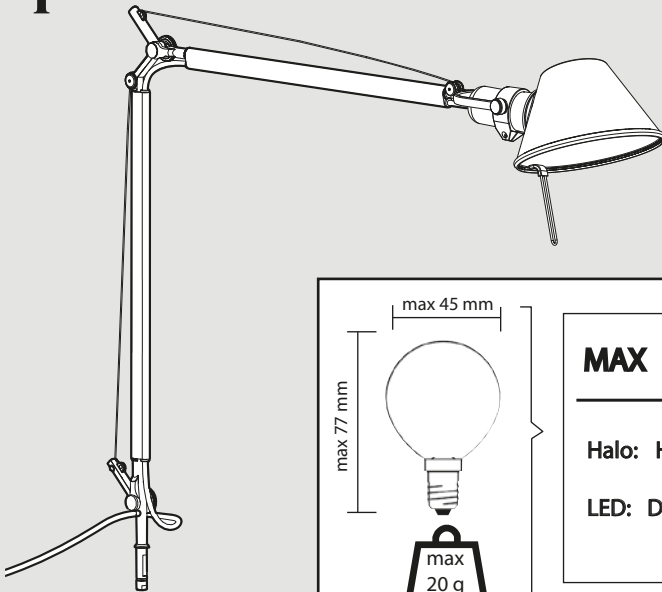
OPTIONAL (A014000)



5



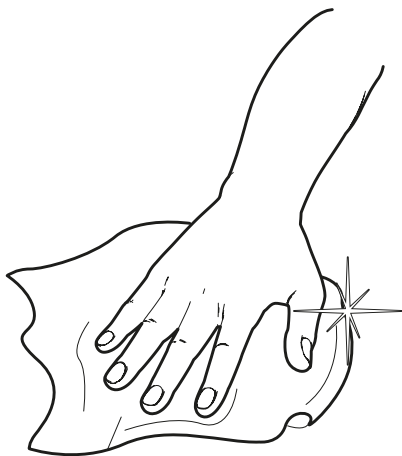
i



MAX 46W - E14

Halo: HSG - 700 lm

LED: DRBP - 400 lm



Artemide®



Artemide

via Bergamo, 18
20006 Pregnana M.se (MI)
ITALIA

tel. +39 02 935 181
fax +39 02 935 90 254
fax +39 02 935 90 496

www.artemide.com

VAT IT00846890150

Artemide Inc.

250 Karin Lane
Hicksville, NY 11801

tel. 631 694 9292
Toll Free 1-877-Art-9111
Fax 631 694 9275

www.artemide.net

Artemide Ltée/Ltd.

11105 rue Renaude Lapointe
Montréal, Québec H1J 2T4

Tel. 514 323 6537
Toll Free 888 777 2783
Fax 514 323 8864

www.artemide.net

cod. Y513000597C