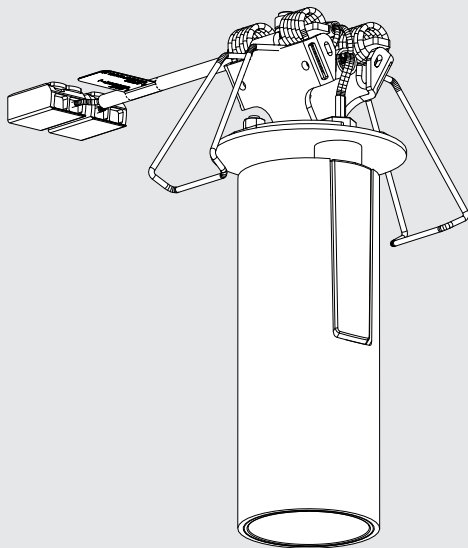
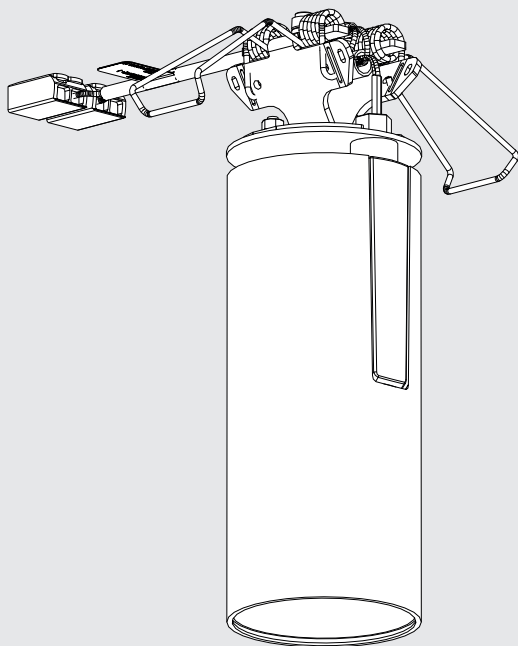


VECTOR 40 SEMI-RECESSED VECTOR 55 SEMI-RECESSED

design
Carlotta De Bevilacqua





i

VECTOR
40/55 DALI

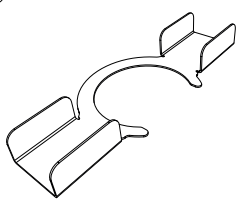
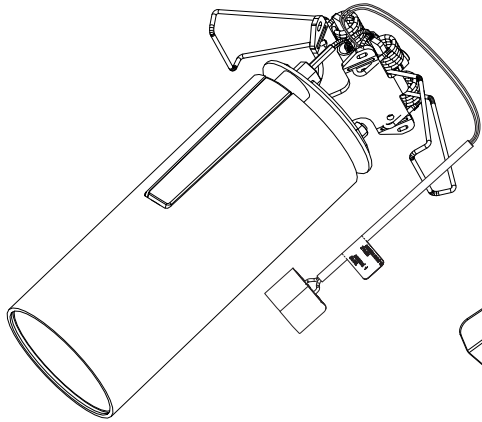
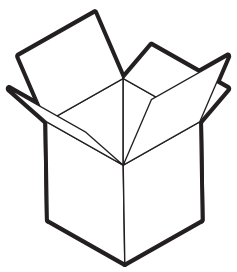
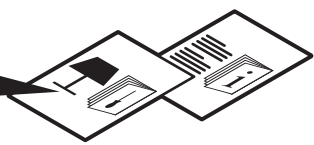
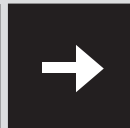
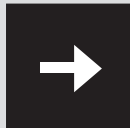
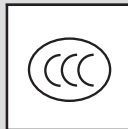
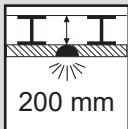
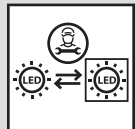


VECTOR 40

VECTOR 40



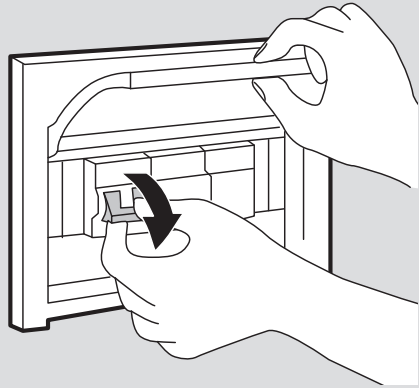
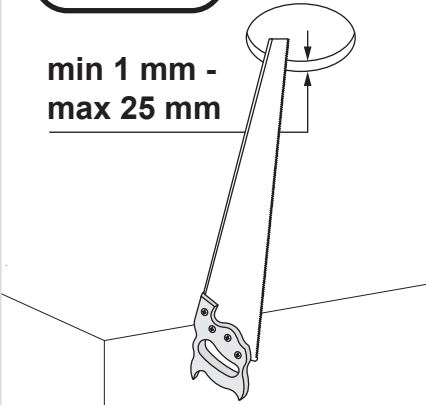
	LED1 from Dthr (m)		
	2700K	3000K	4000K
SP	1,6	1,6	2,15
FL	LED1	LED1	1,75
WF	LED1	LED1	1,75



1

ø 50 mm

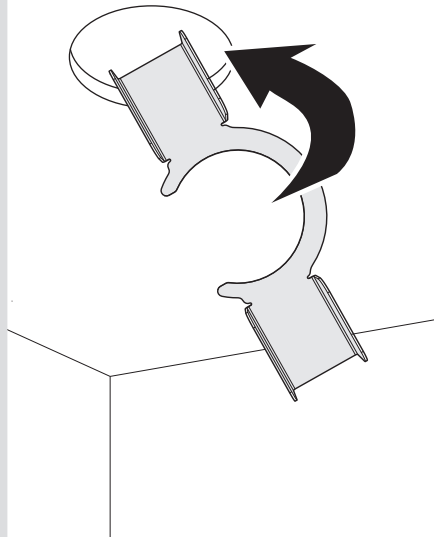
min 1 mm -
max 25 mm



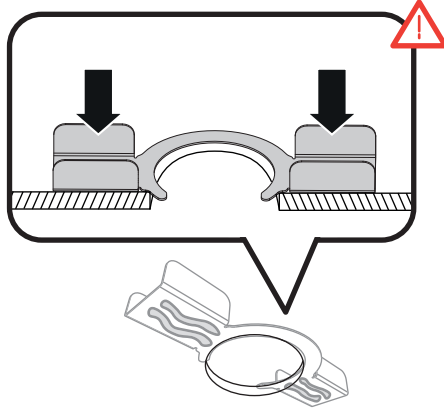
2



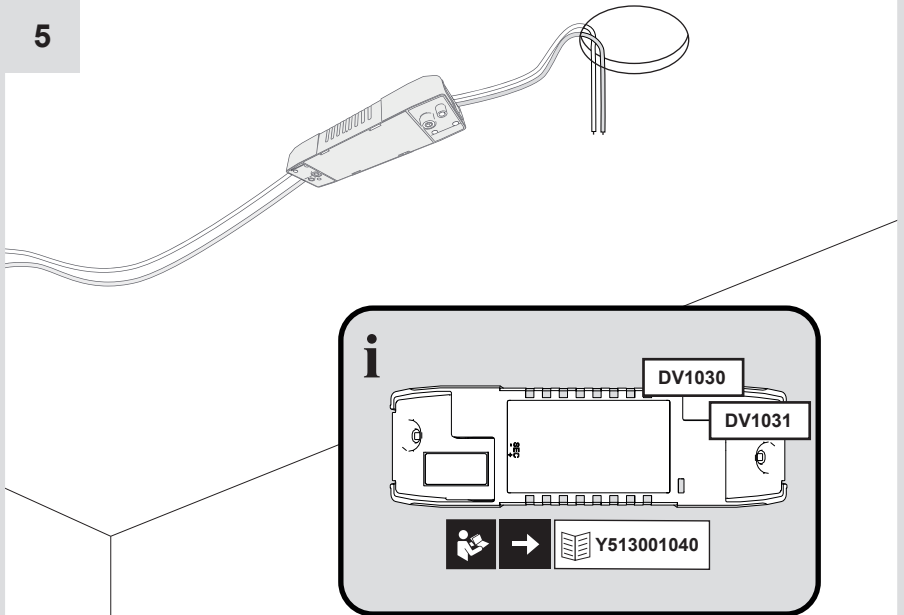
3



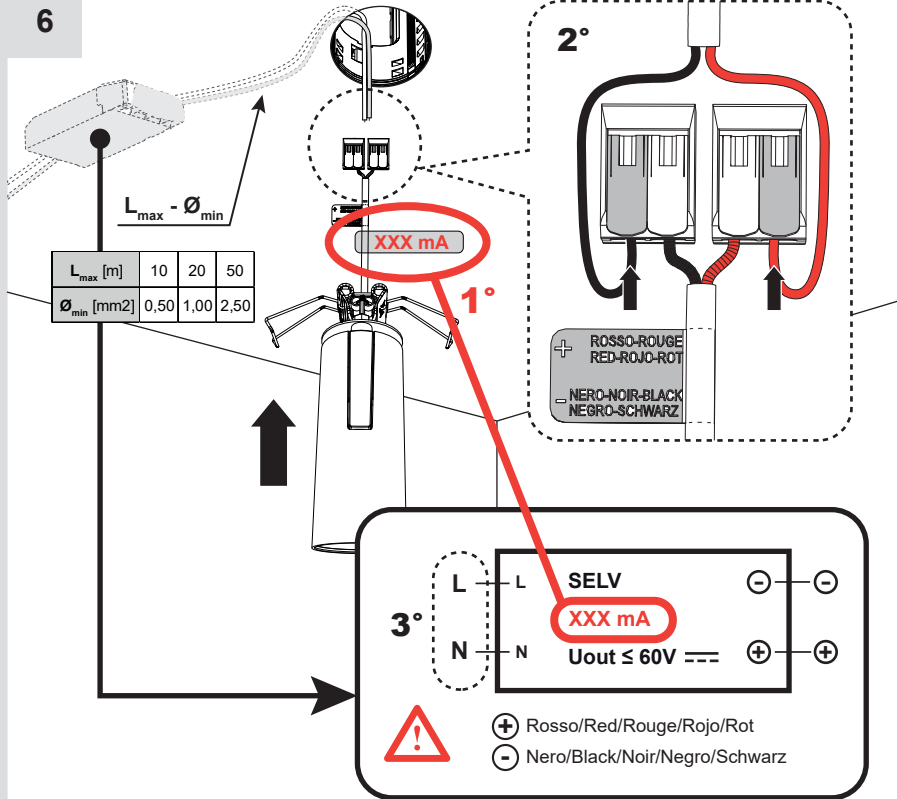
4



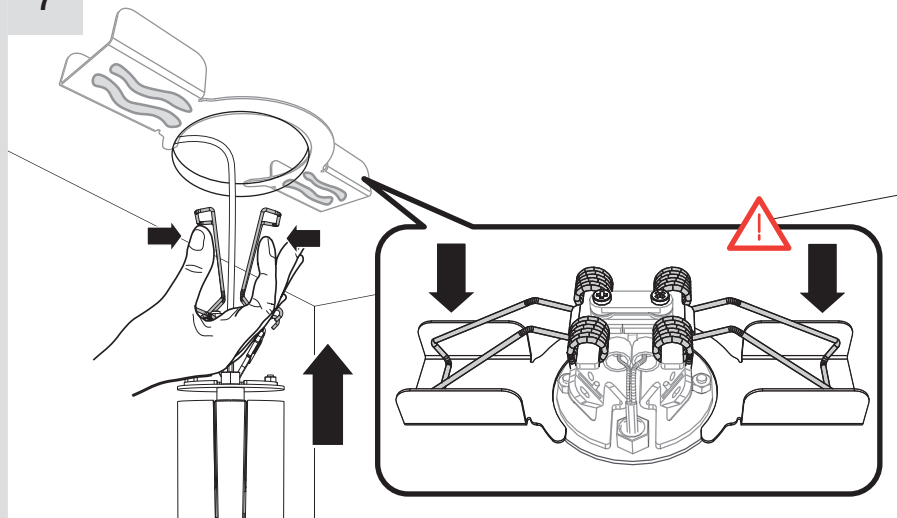
5



6



7

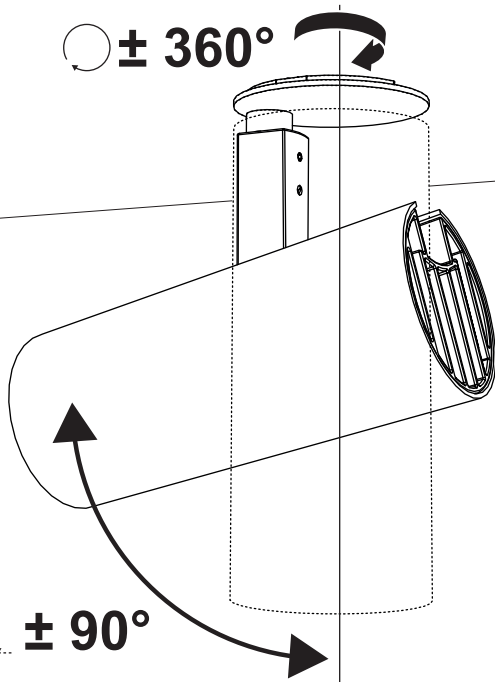




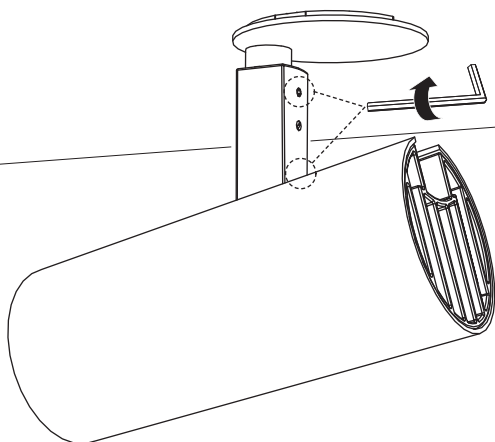
8

$\pm 360^\circ$

$\pm 90^\circ$

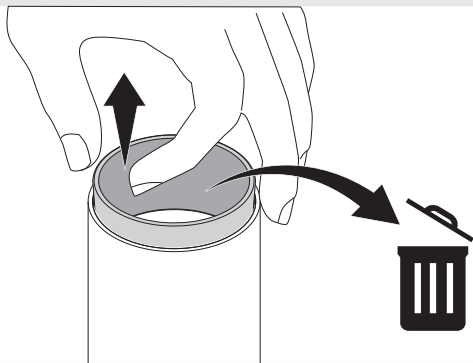


9



VECTOR 40 ACCESSORIES

1



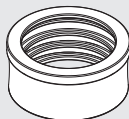
i



AP9X100



+



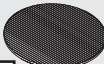
A



AP9X300



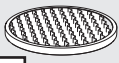
B



AP9X200



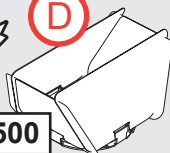
C



AP9X400



D

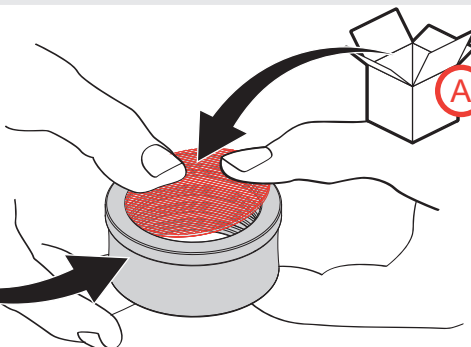


AP9X500

2



AP9X100



A B C D

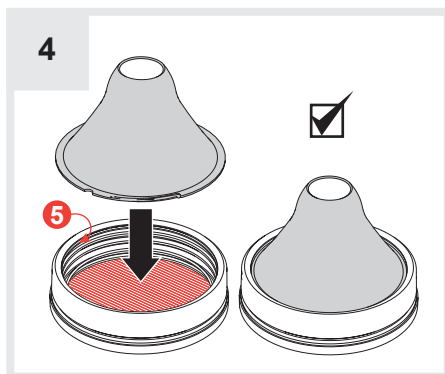
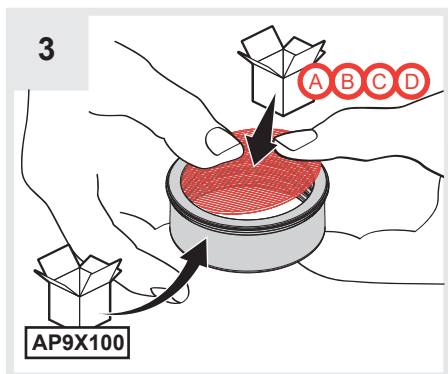
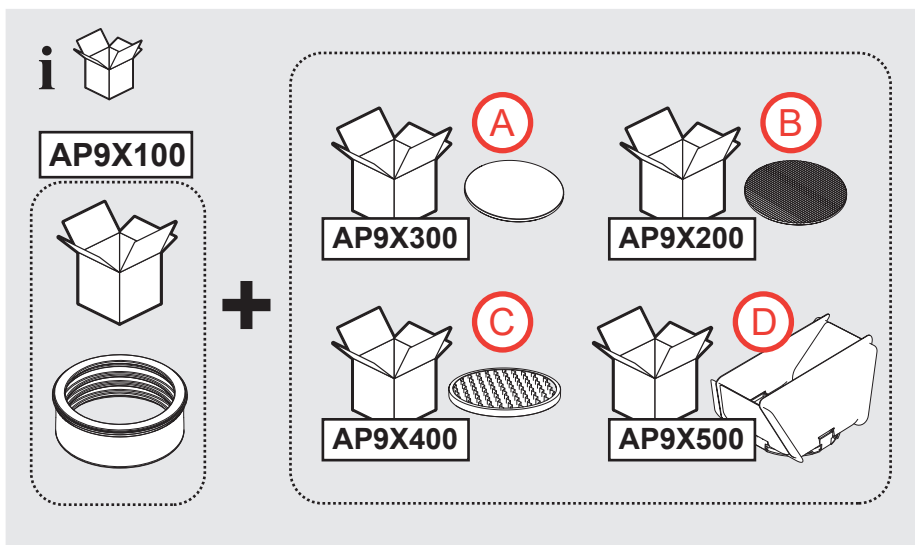
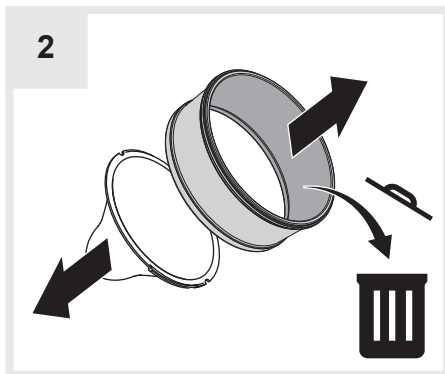
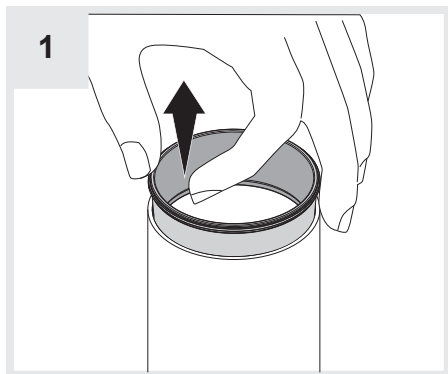
VECTOR 40 ACCESSORIES

i

	A	B	C	D
1				•
2	•	•	•	
3	•	•		
4	•	•		


3

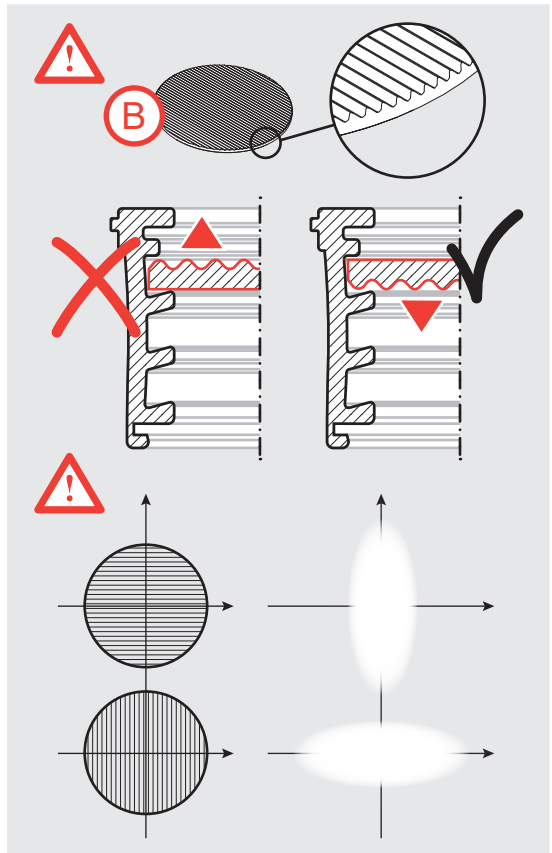
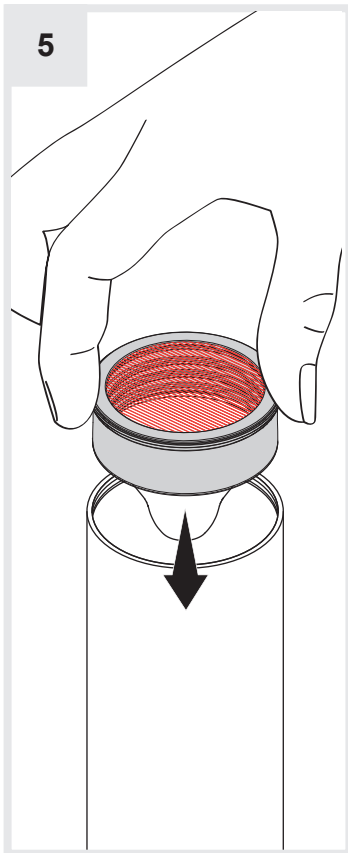
VECTOR 55 ACCESSORIES

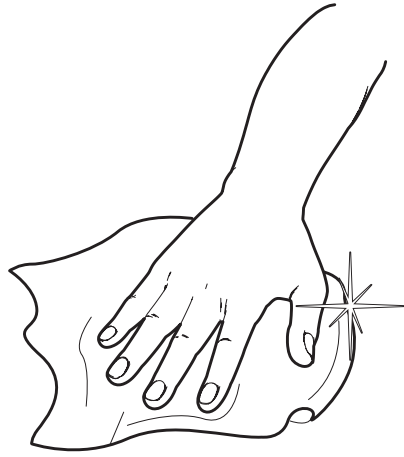
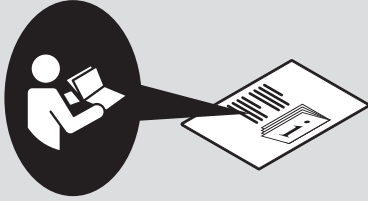


VECTOR 55 ACCESSORIES

i

	A	B	C	D	
1				•	
2	•	•	•		
3	•	•			
4	•	•			
5					•







Artemide Spa

via Bergamo, 18
20006 Pregnana M.se (MI)
ITALIA

Tel. +39 02 935 181
Fax +39 02 935 90 254
Fax +39 02 935 90 496

www.artemide.com

VAT IT00846890150