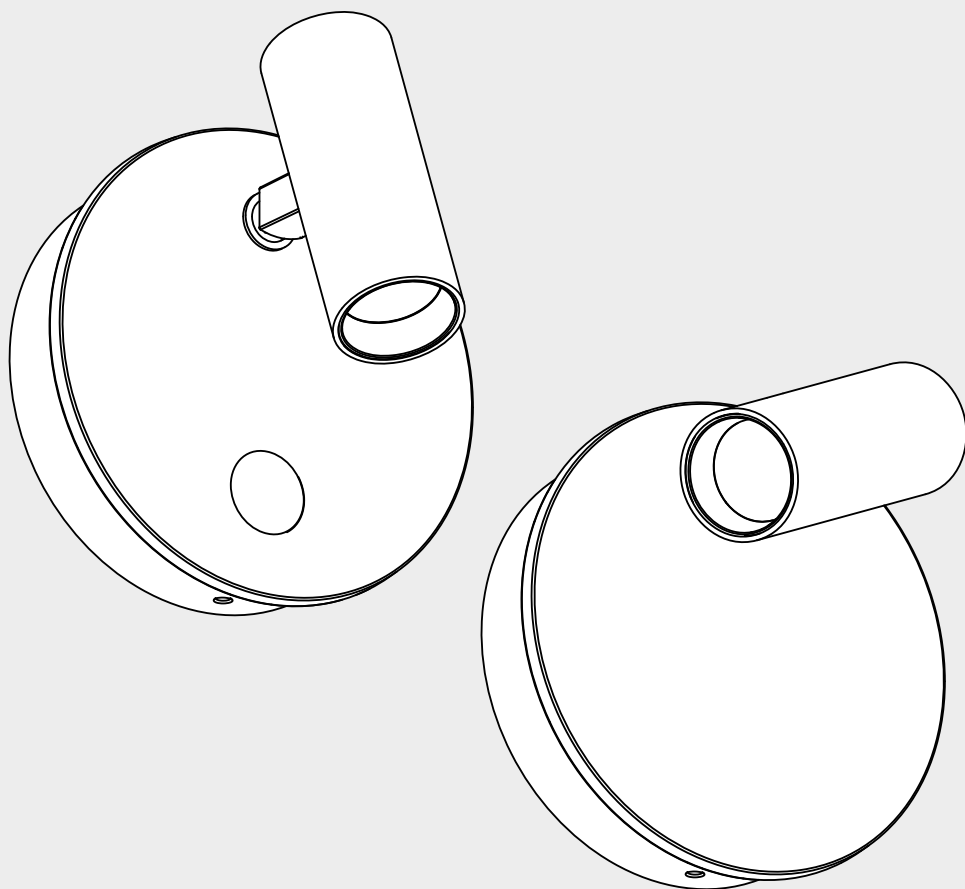


Artemide®

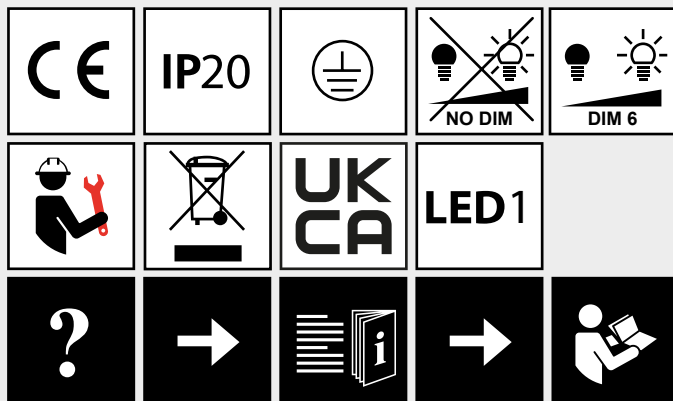
VECTOR WALL

design
Carlotta de Bevilacqua

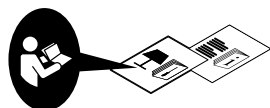
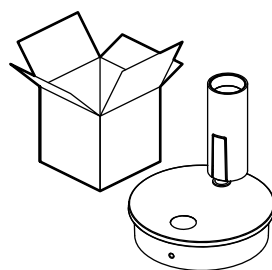
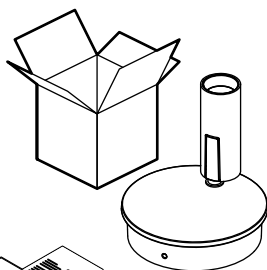




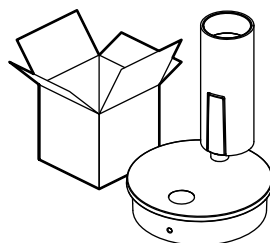
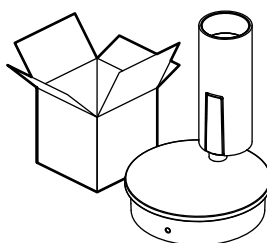
i



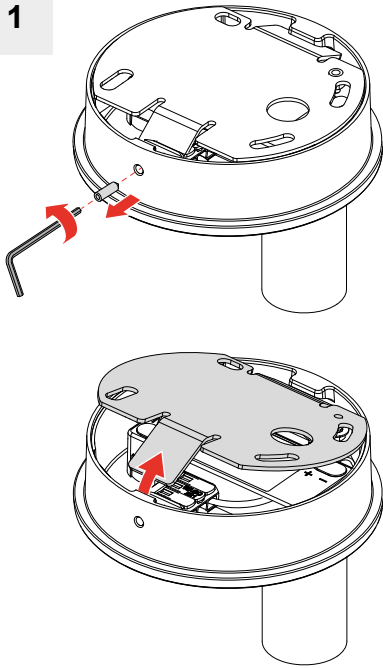
VECTOR 30
WALL



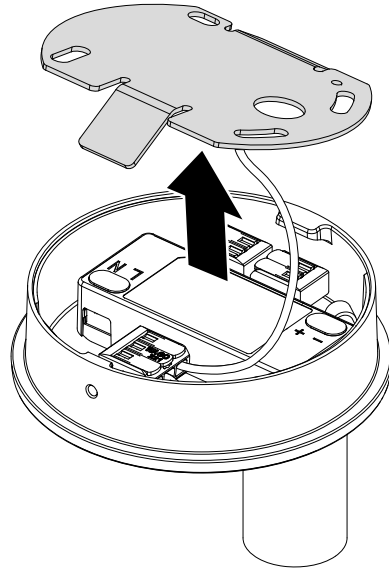
VECTOR 40
WALL



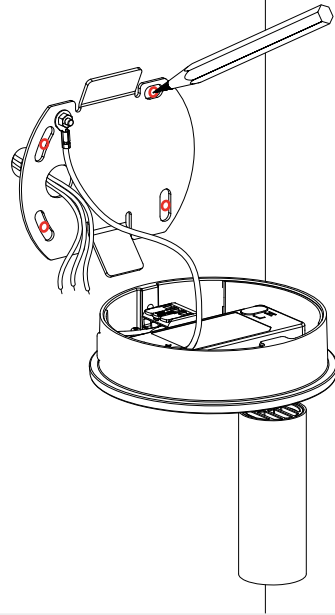
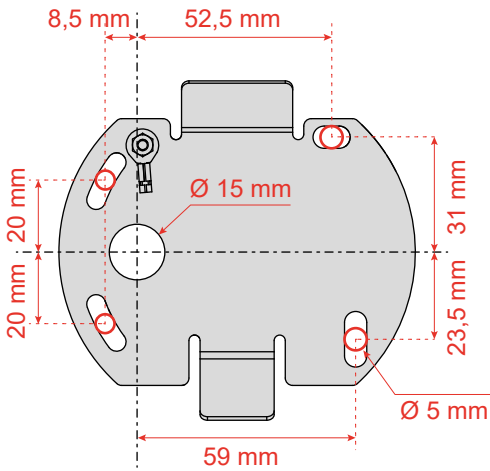
1



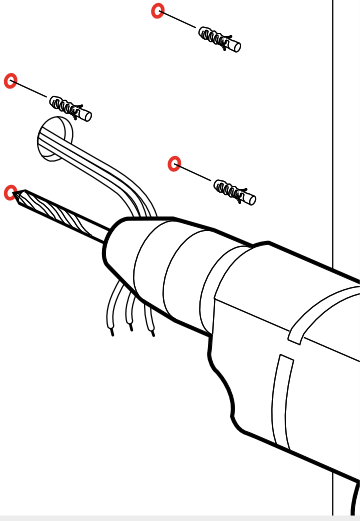
2



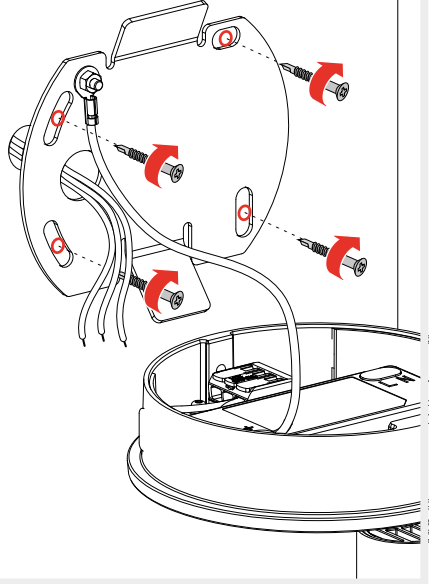
3



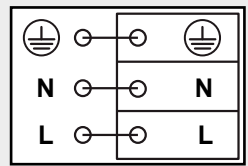
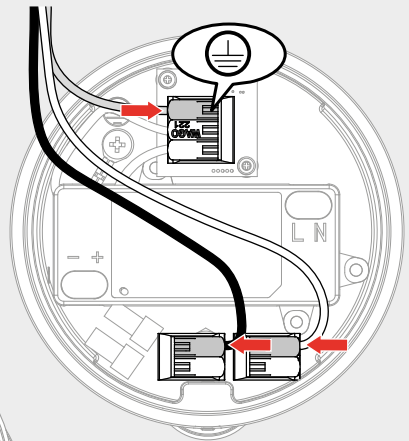
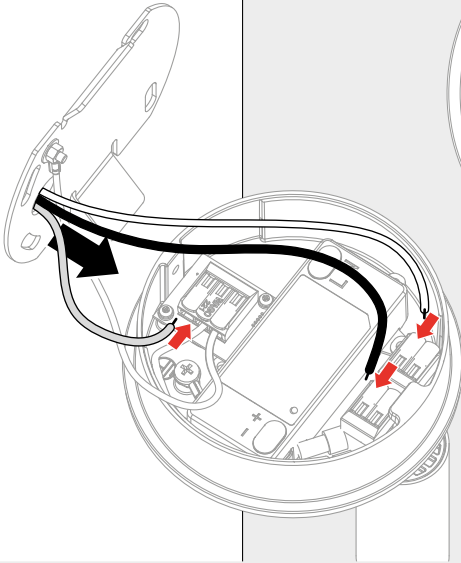
4



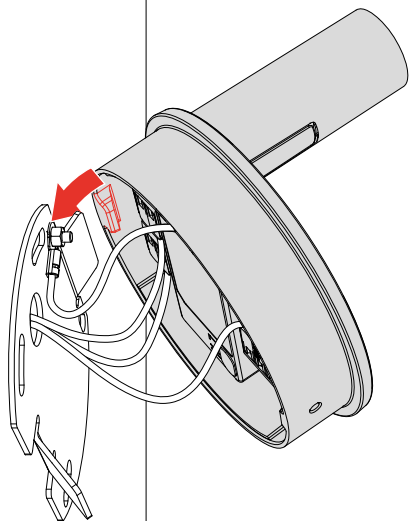
5



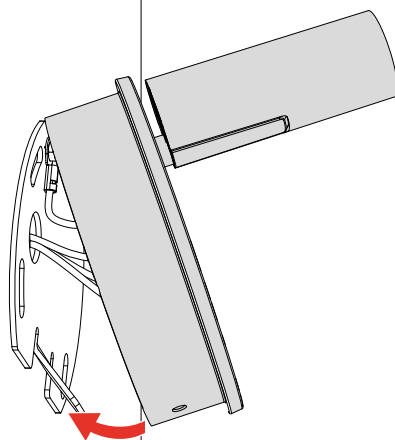
6



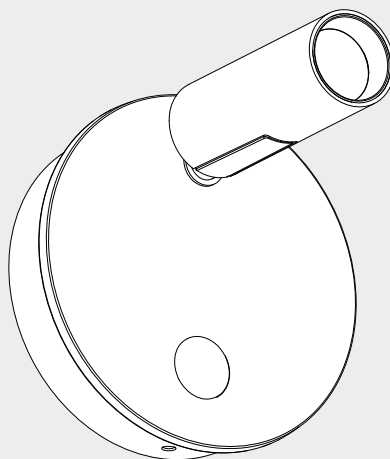
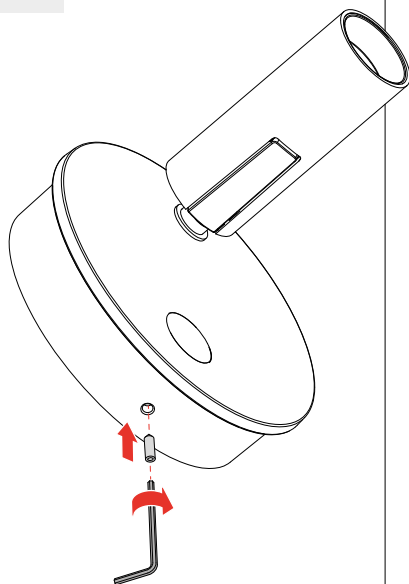
7



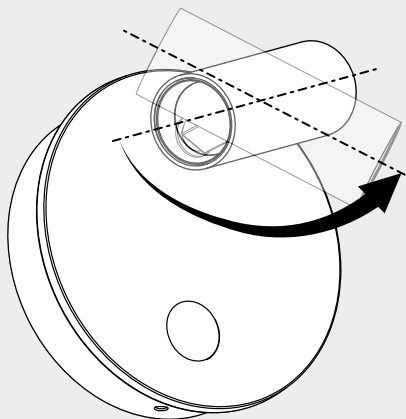
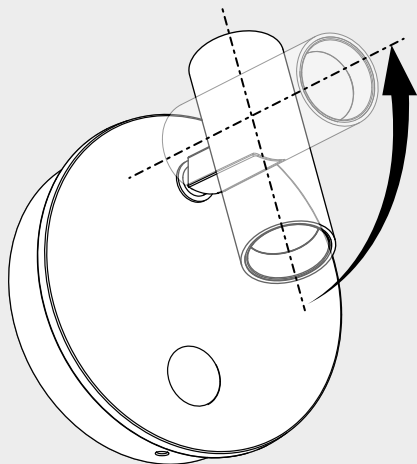
8



9

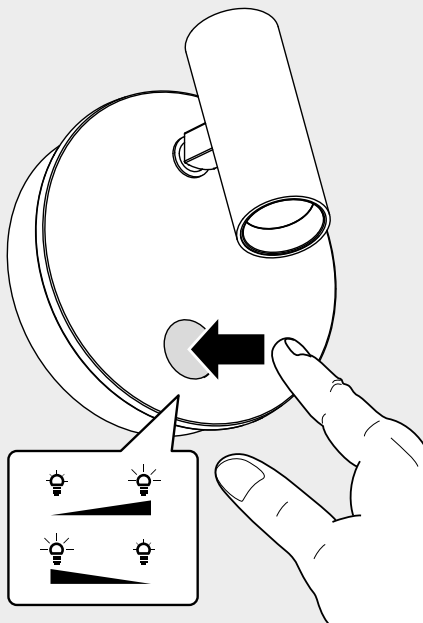
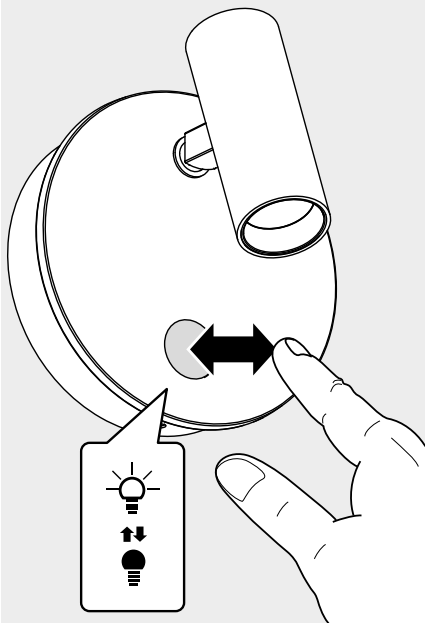


i



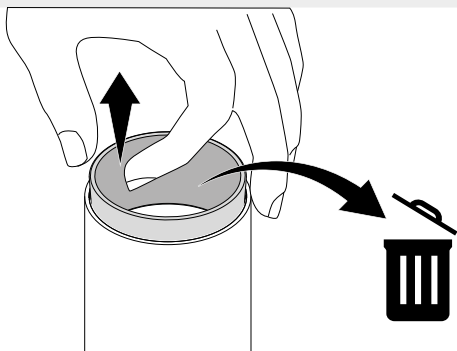
i

Only for BQ60XXX, BQ61XXX, BQ80XXX, BQ81XXX



VECTOR 40 ACCESSORIES

1



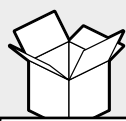
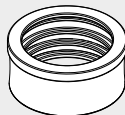
i



AP9X100



+



AP9X300

A



AP9X200

B



AP9X400

C

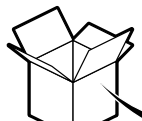


AP9X500

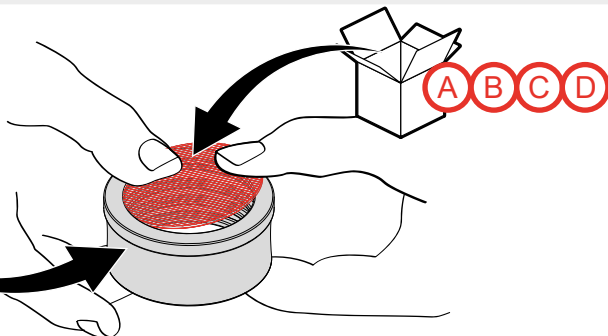
D



2



AP9X100

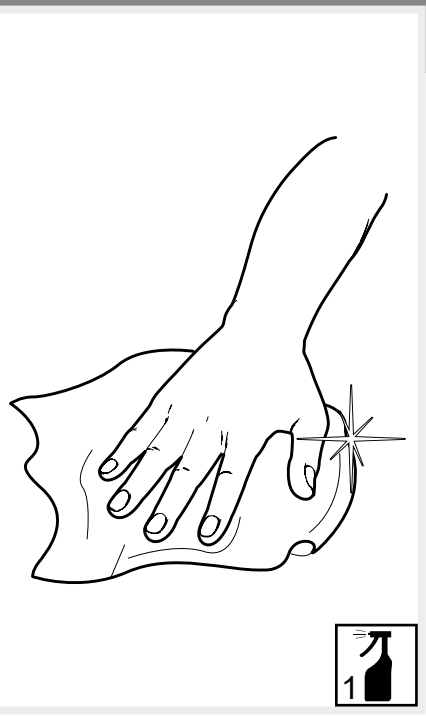
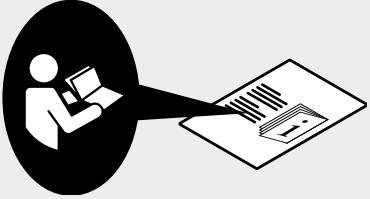


VECTOR 40 ACCESSORIES

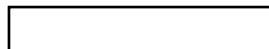
i

	A	B	C	D
1				•
2	•	•	•	
3	•	•		
4	•	•		

3



Artemide®



Artemide

via Bergamo, 18
20006 Pregnana M.se (MI)
ITALIA

tel. +39 02 935 181
fax +39 02 935 90 254
fax +39 02 935 90 496

www.artemide.com

VAT IT00846890150

cod. Y513001610B