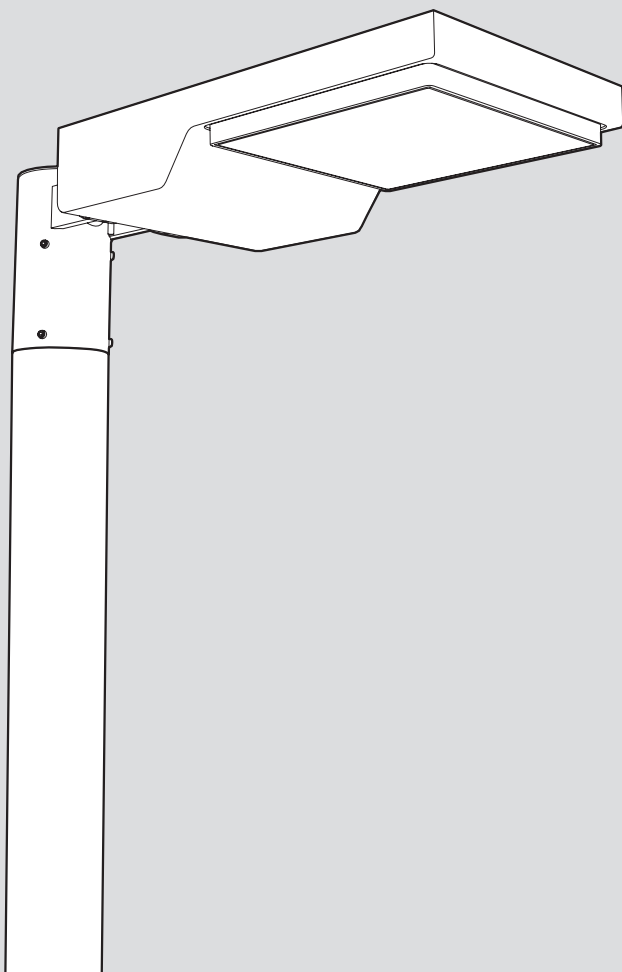


Artemide®

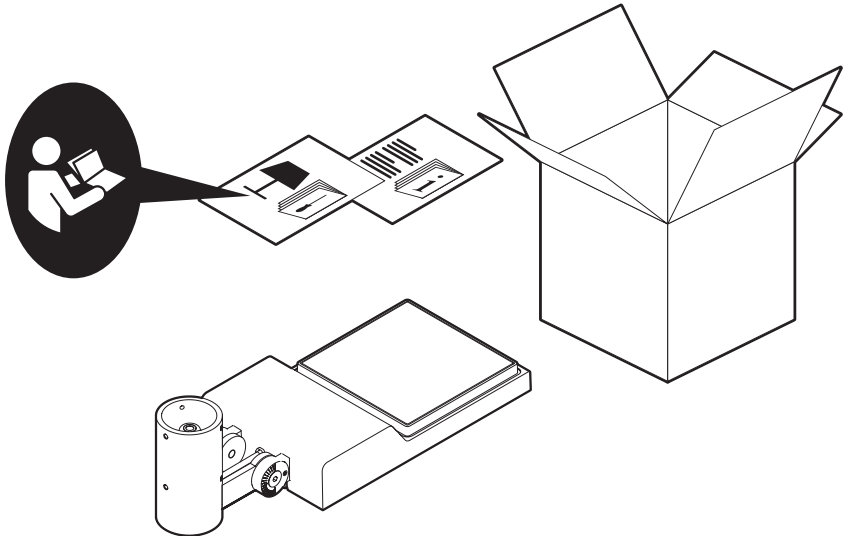
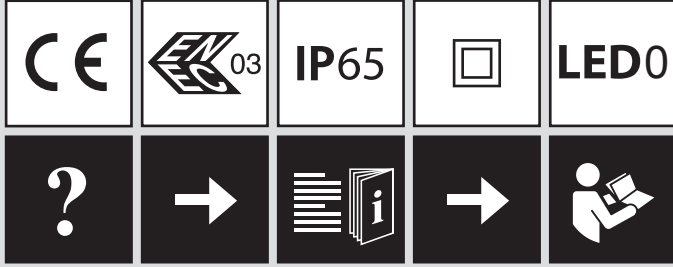
Cefiso palo

design
Alessandro Pedretti

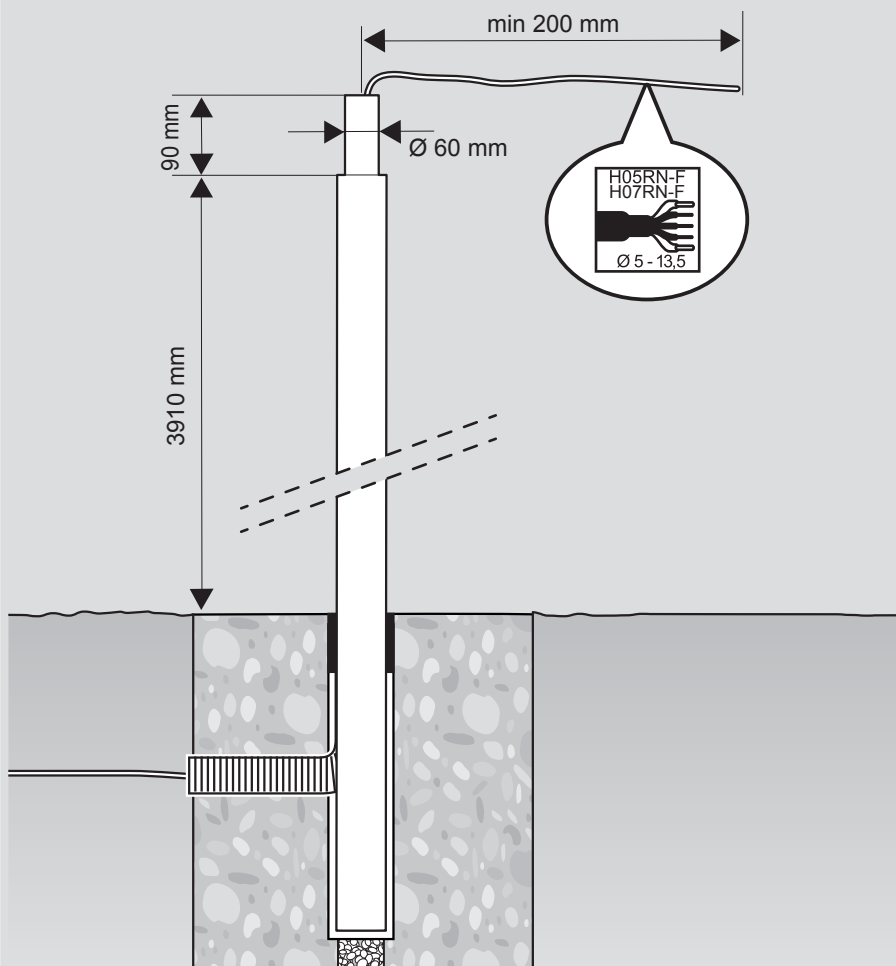


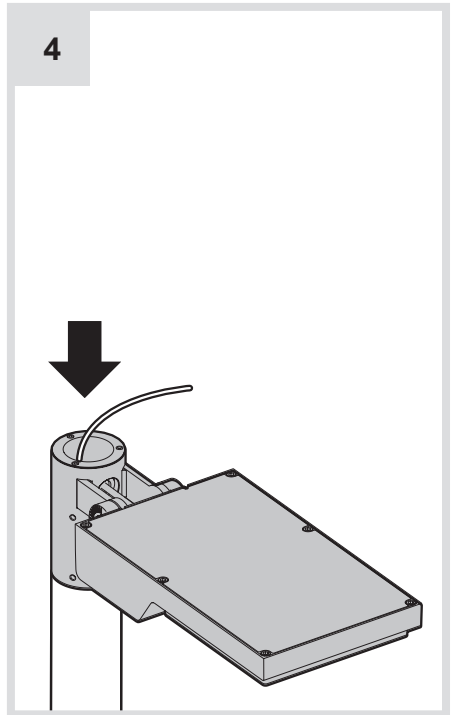
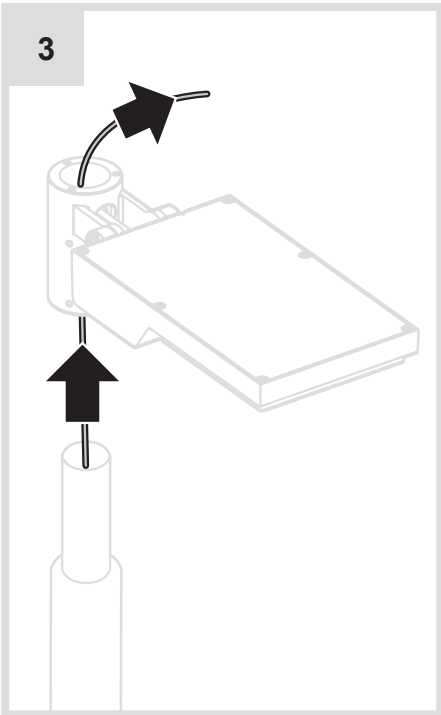
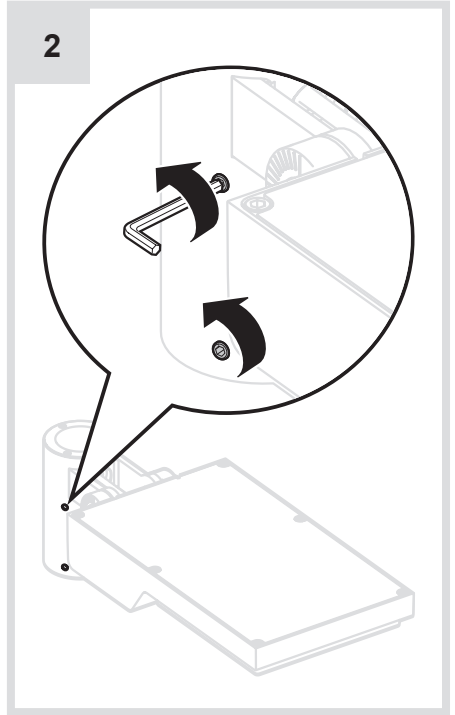
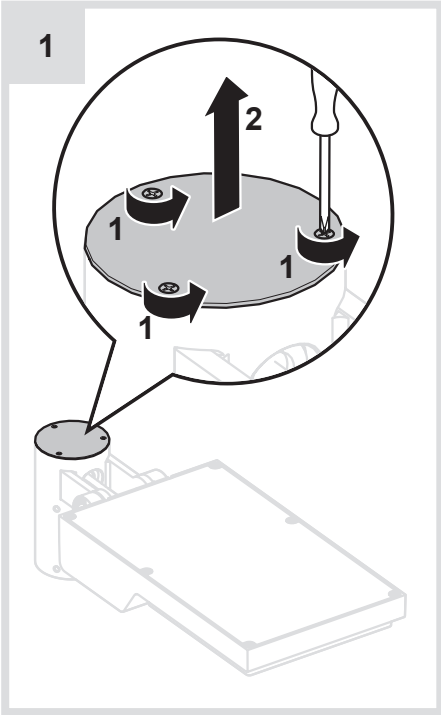


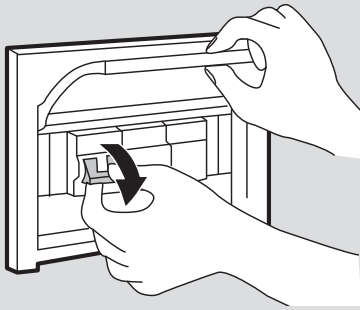
i



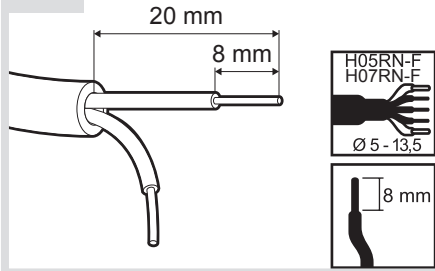
i



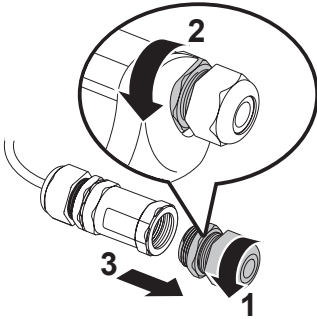




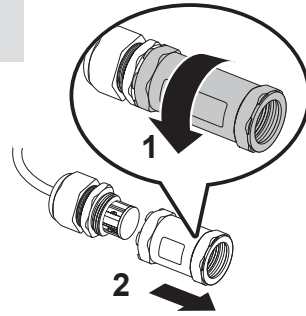
5



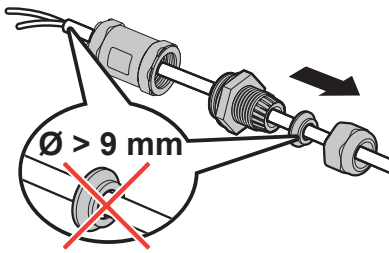
6



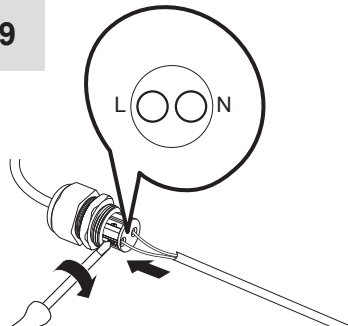
7



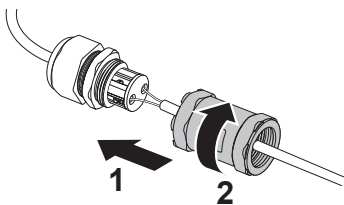
8



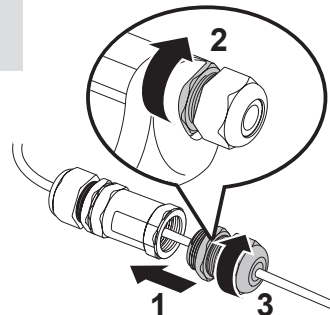
9



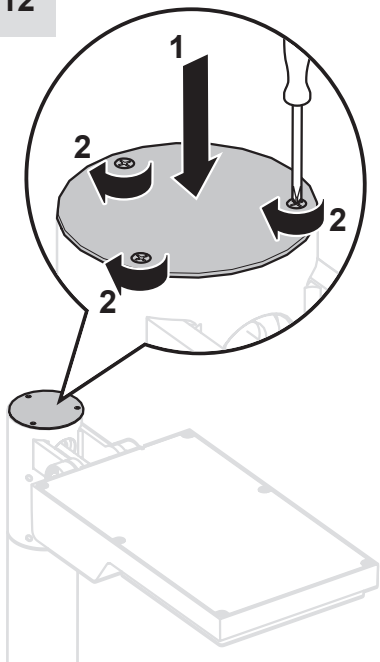
10



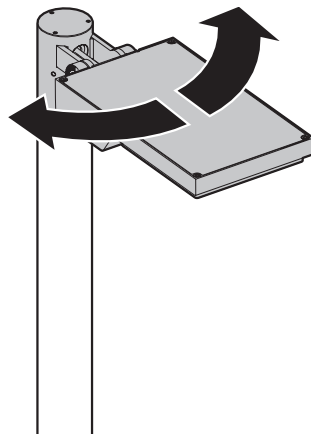
11



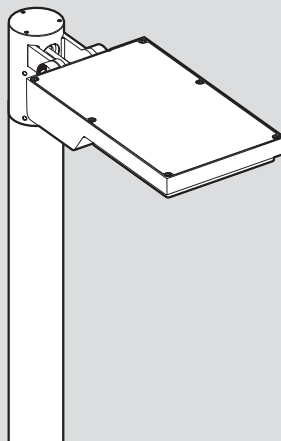
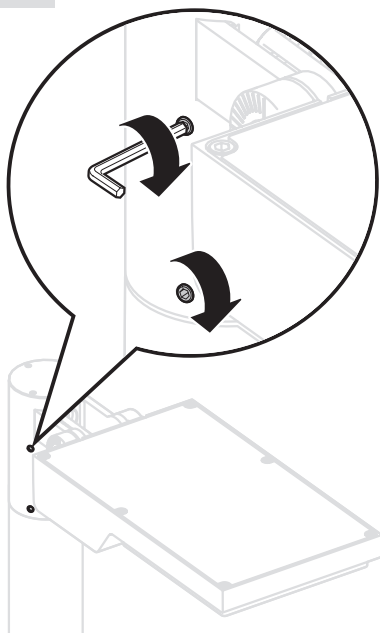
12



13



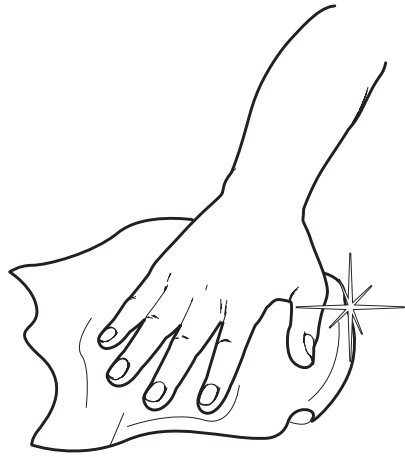
14



i



1



Artemide®



Artemide

via Bergamo, 18
20010 Pregnana M.se (MI)
ITALIA

tel. +39 02 935 181
fax +39 02 935 90 254
fax +39 02 935 90 496

www.artemide.com

VAT IT00846890150

cod. Y513000134A