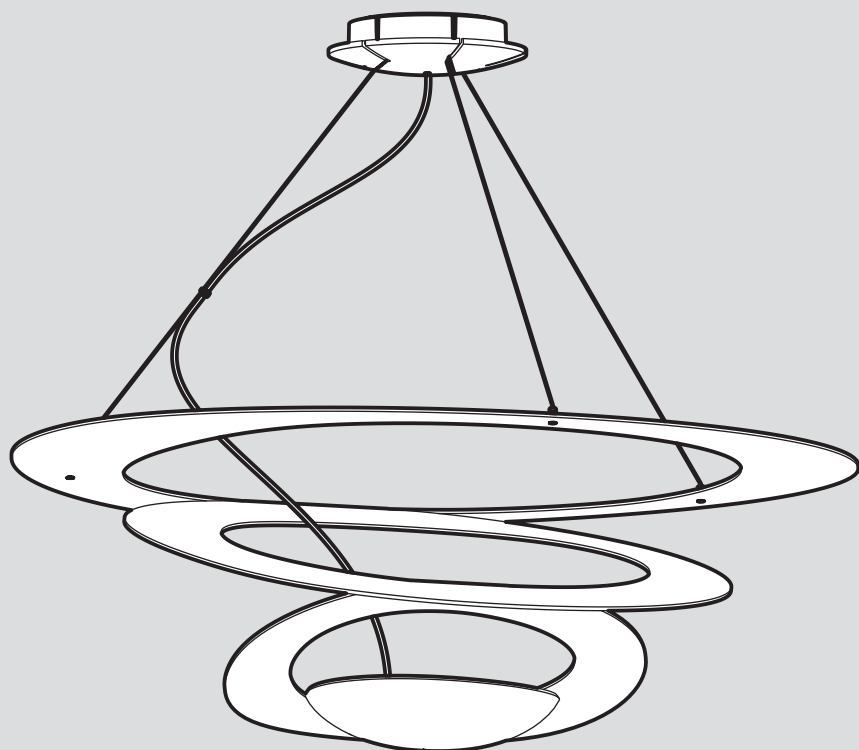


# Artemide®

## Pirce

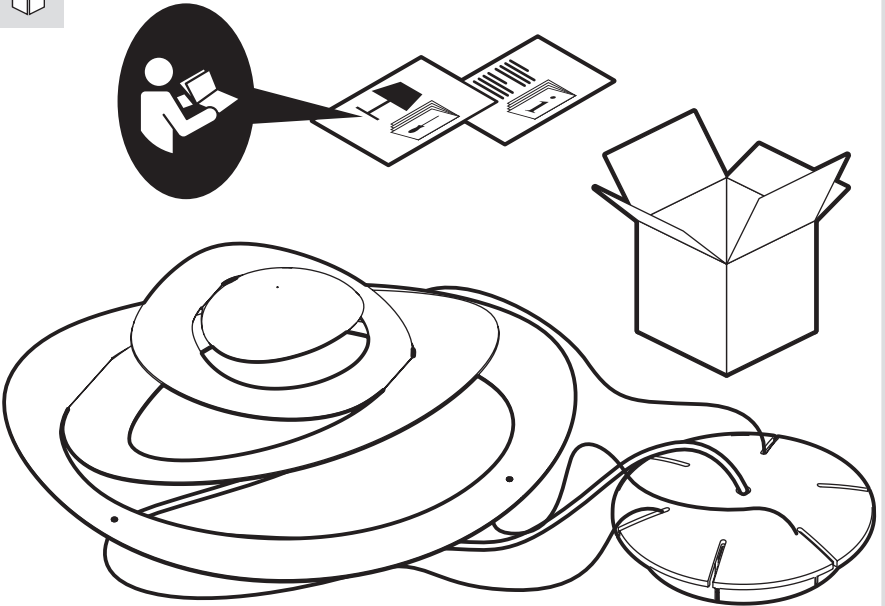
design  
G. M. Scutellà



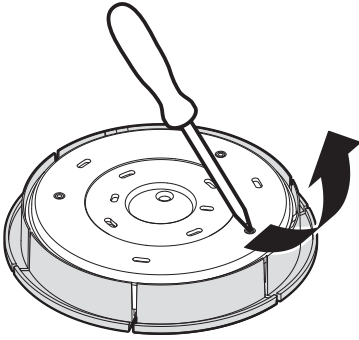


i

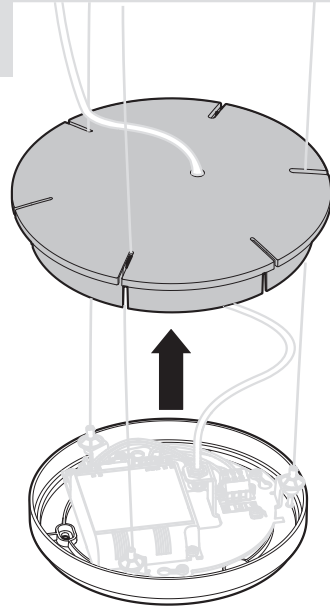
CE	EN 603	IP20		
LED 1				
?	→		→	



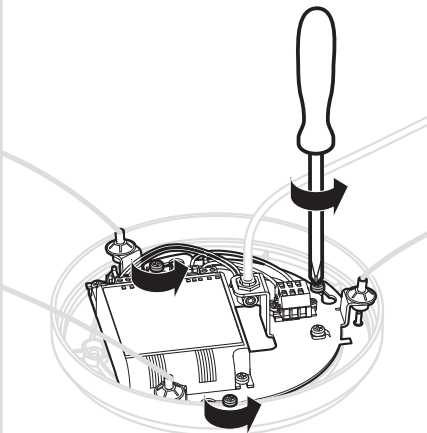
1



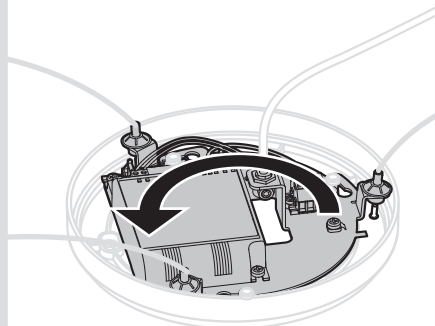
2



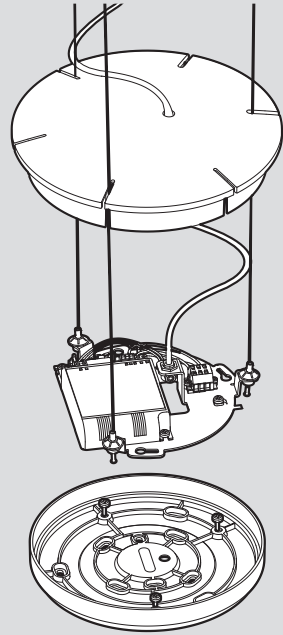
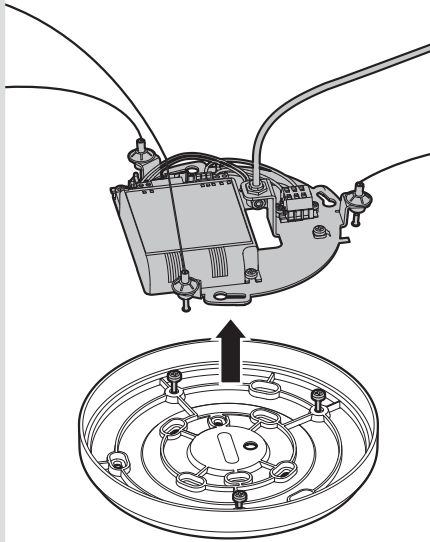
3

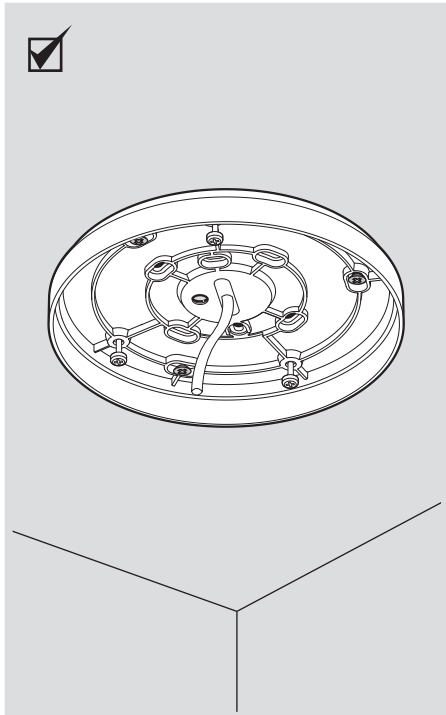
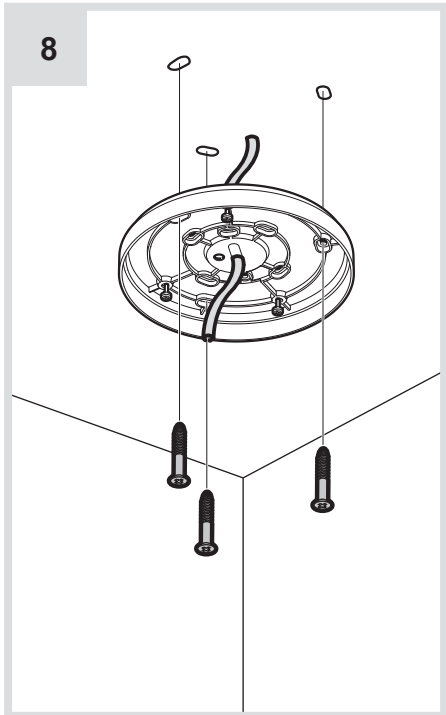
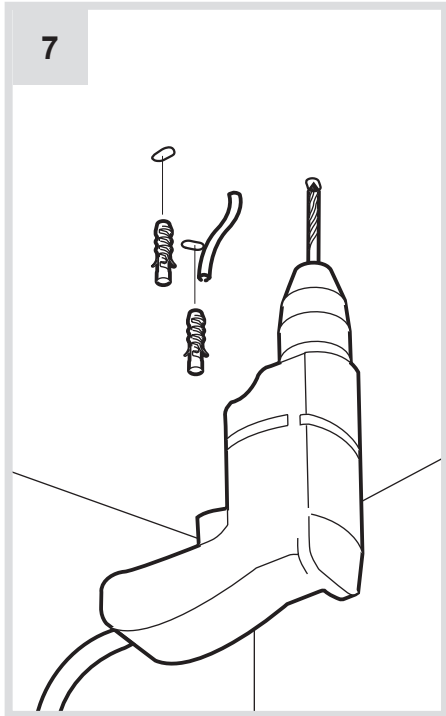
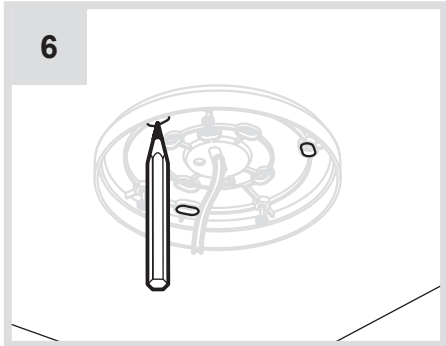
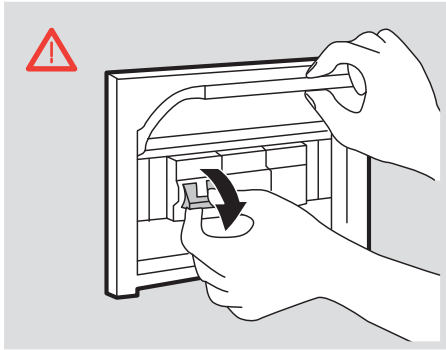


4

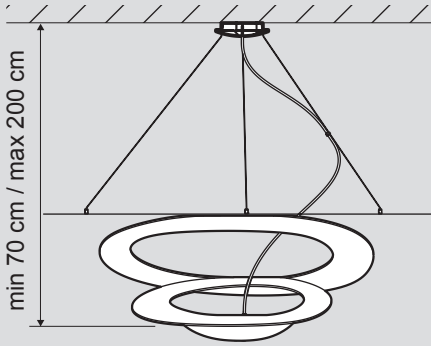


5

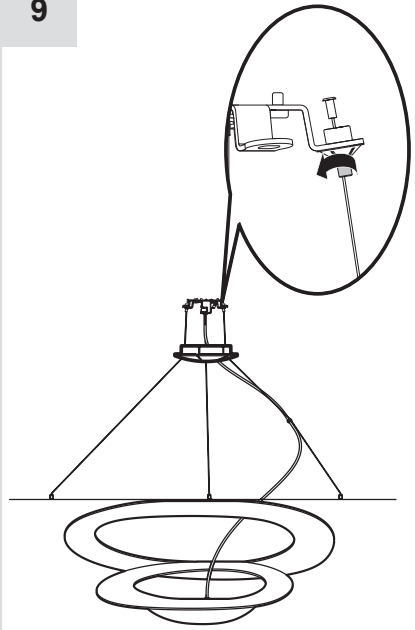




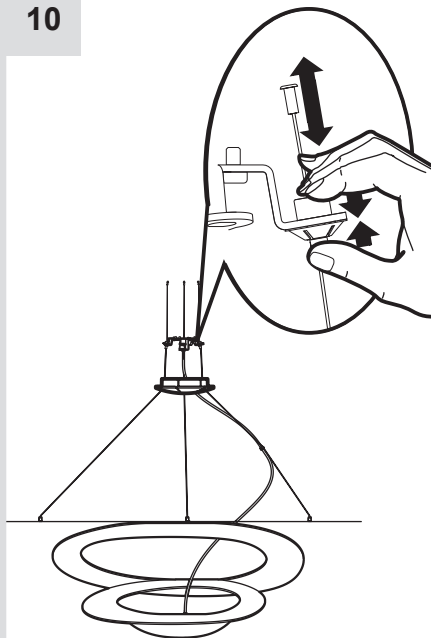
**i**



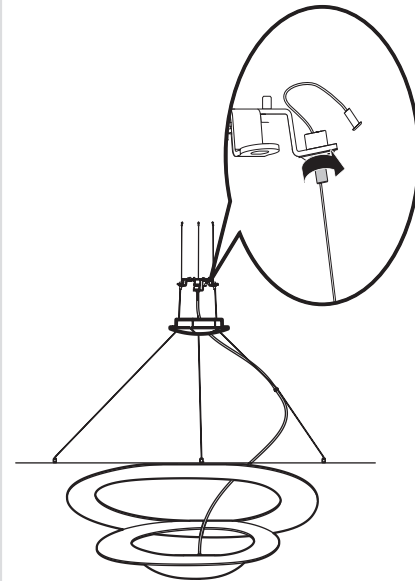
**9**



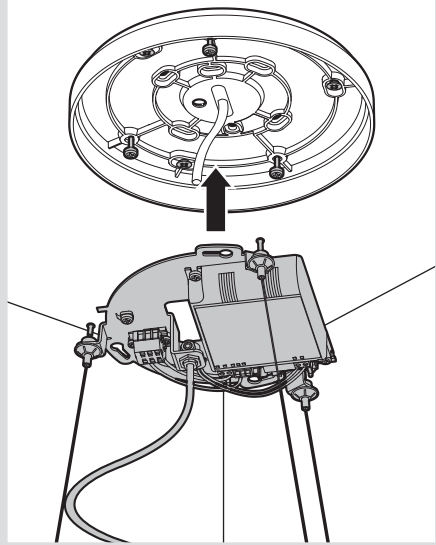
**10**



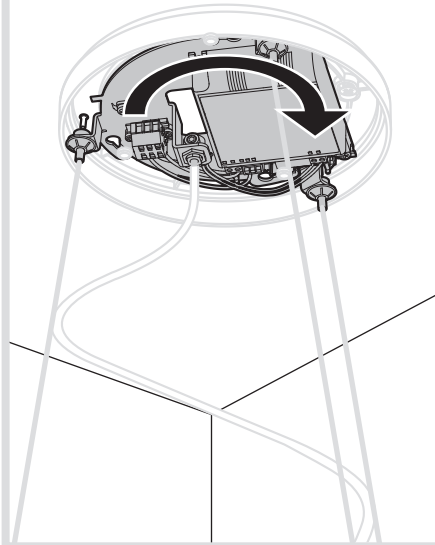
**11**



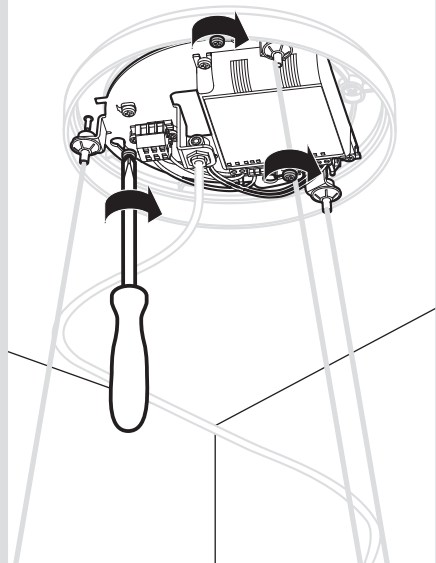
12



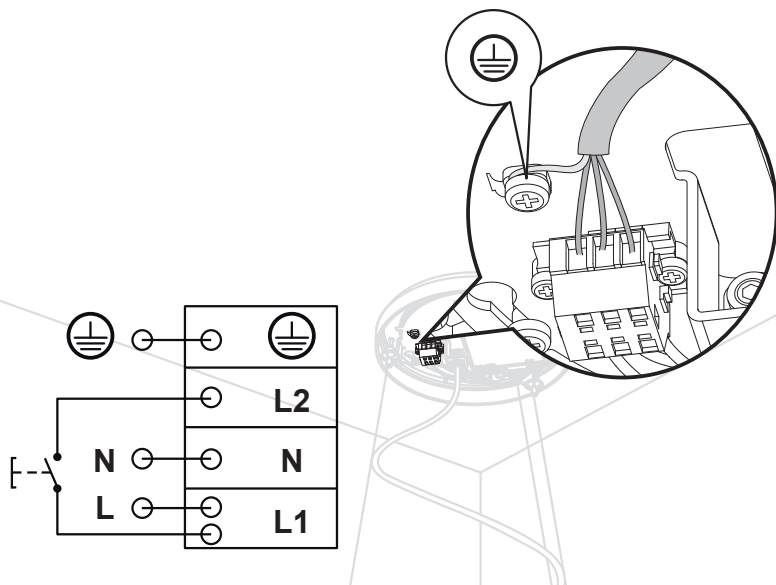
13



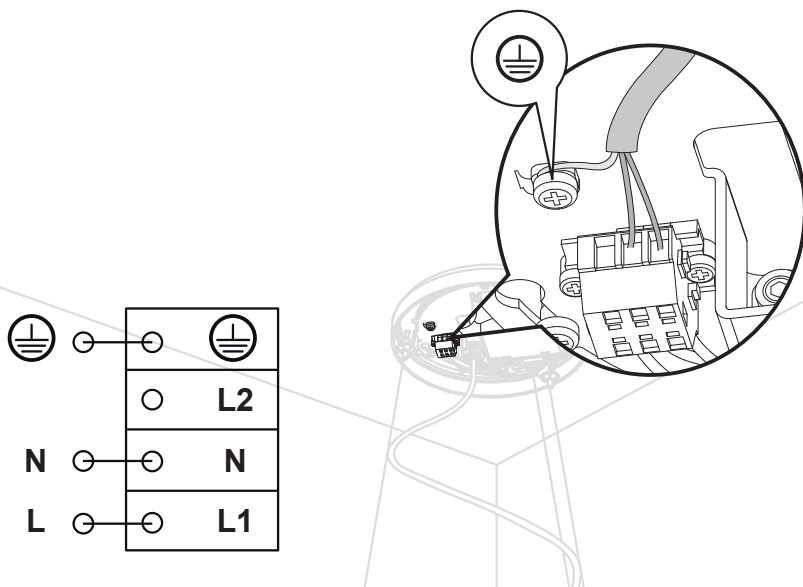
14



15a

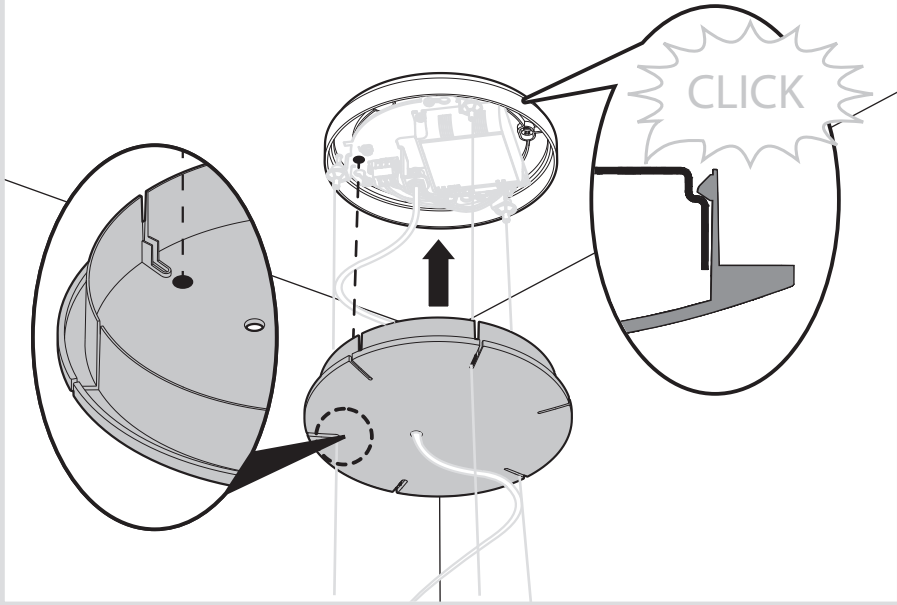


15b

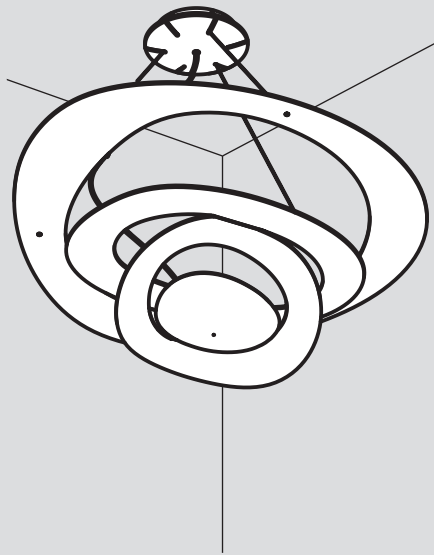
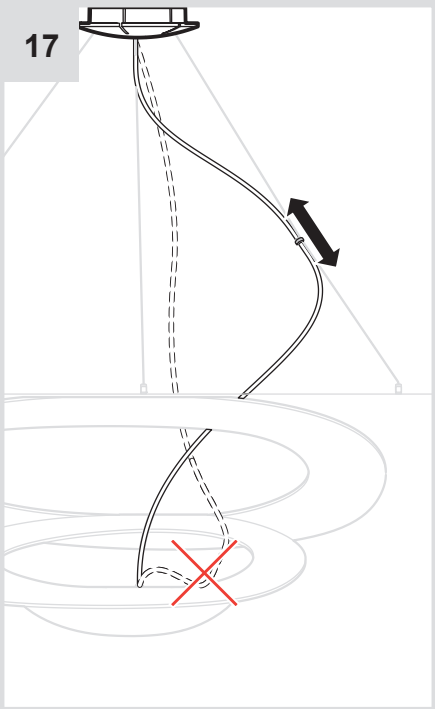




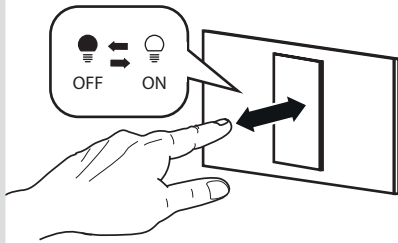
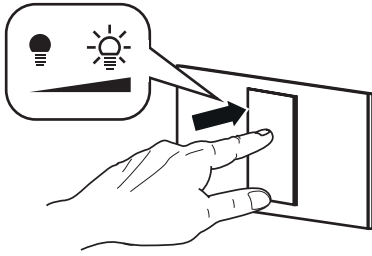
16



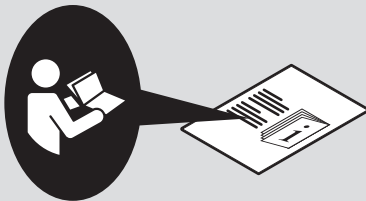
17



i



i

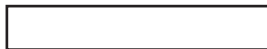


1





**Artemide®**



**Artemide**

via Bergamo, 18  
20010 Pregnana M.se (MI)  
ITALIA

tel. +39 02 935 181  
fax +39 02 935 90 254  
fax +39 02 935 90 496

[www.artemide.com](http://www.artemide.com)

VAT IT00846890150

cod. Y513000125B