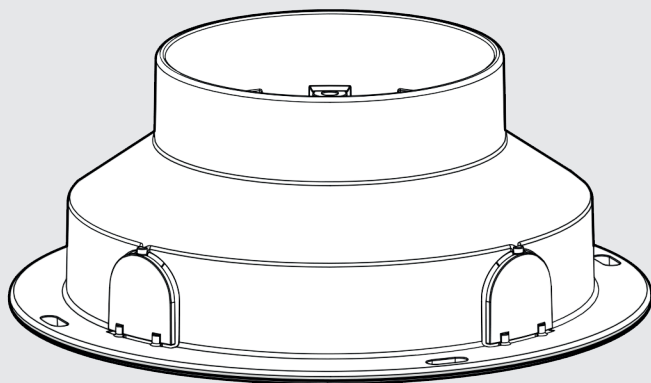


Artemide®

EGO 55-90 WALK-OVER

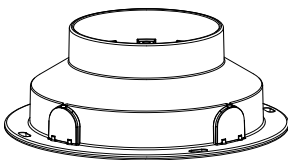




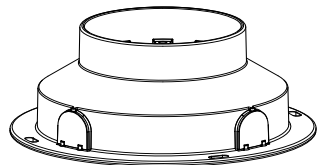
i



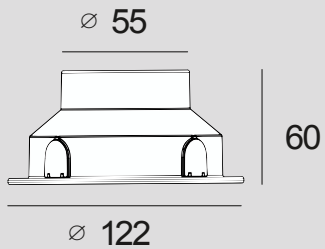
Ego 55 Walk - Over



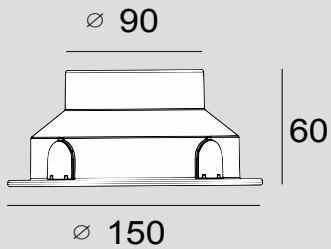
Ego 90 Walk - Over



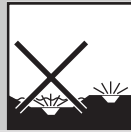
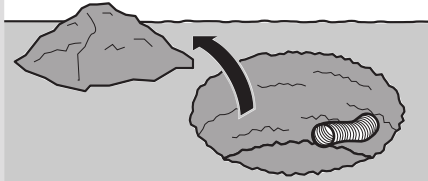
Ego 55 walk-over



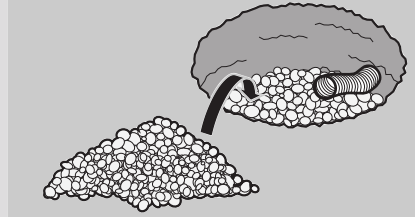
Ego 90 walk-over



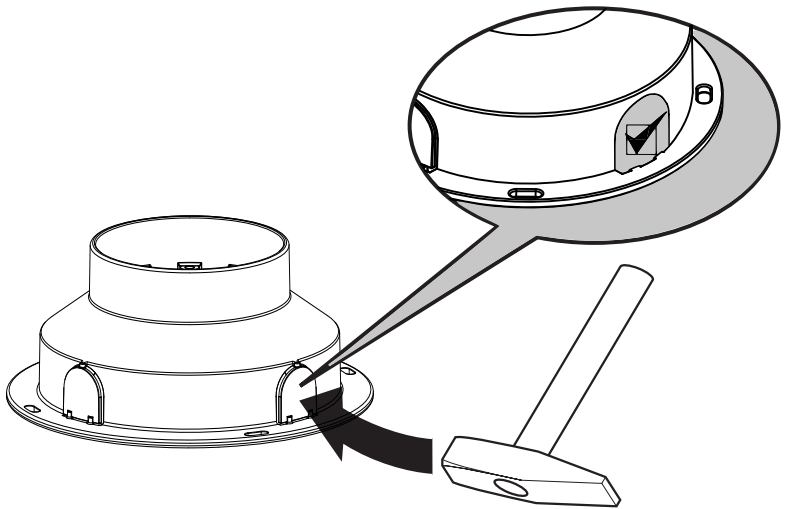
1



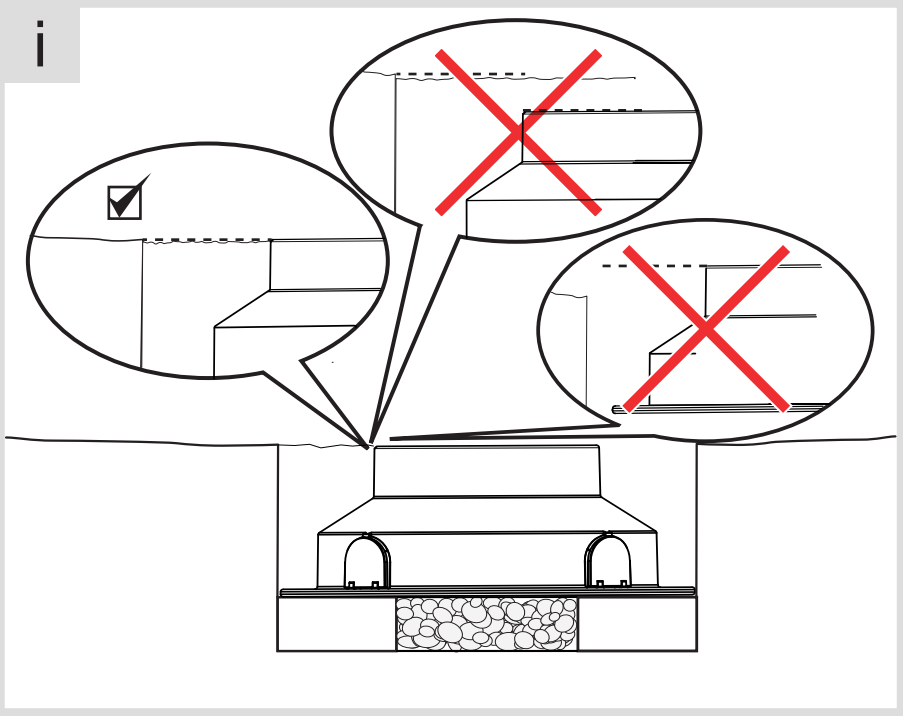
2



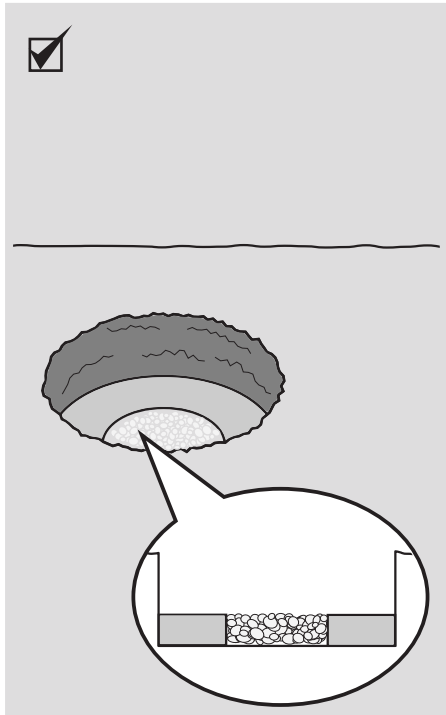
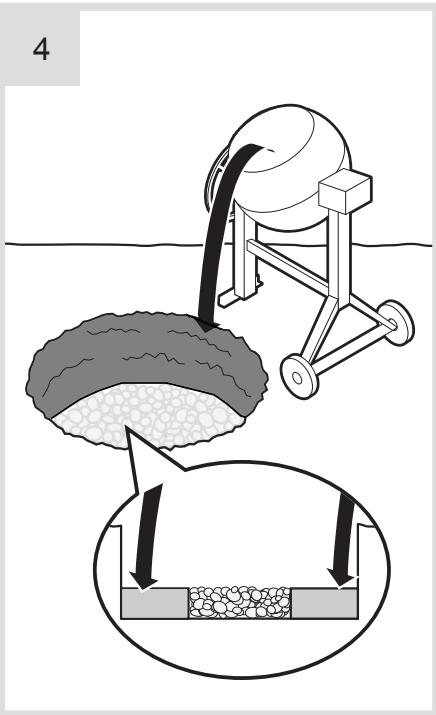
3



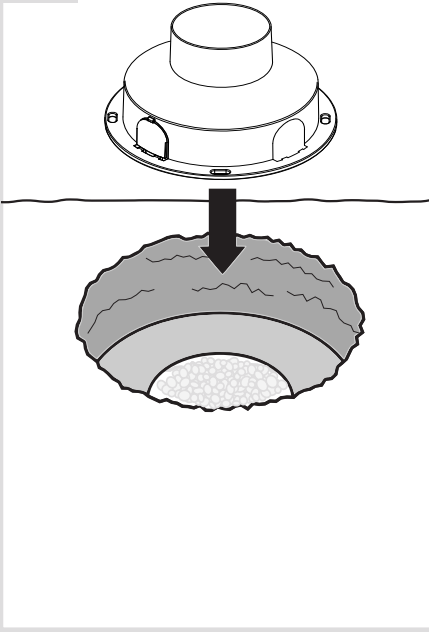
i



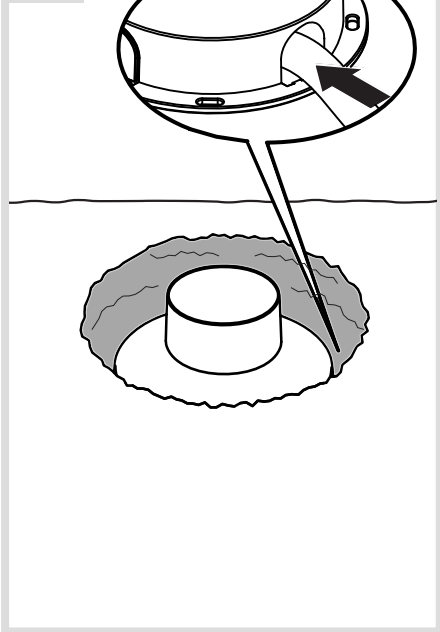
4



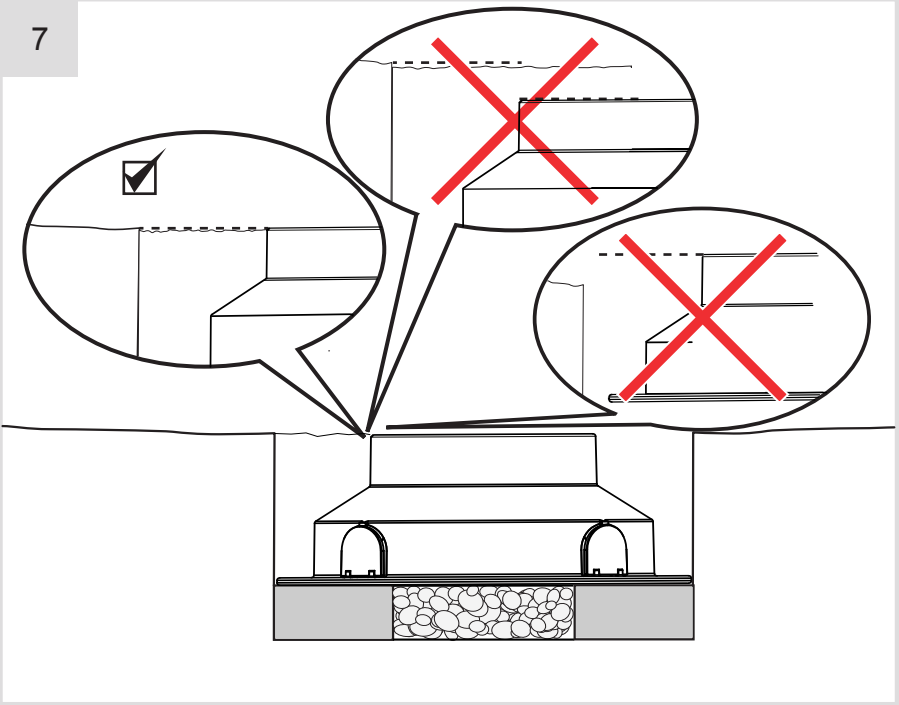
5



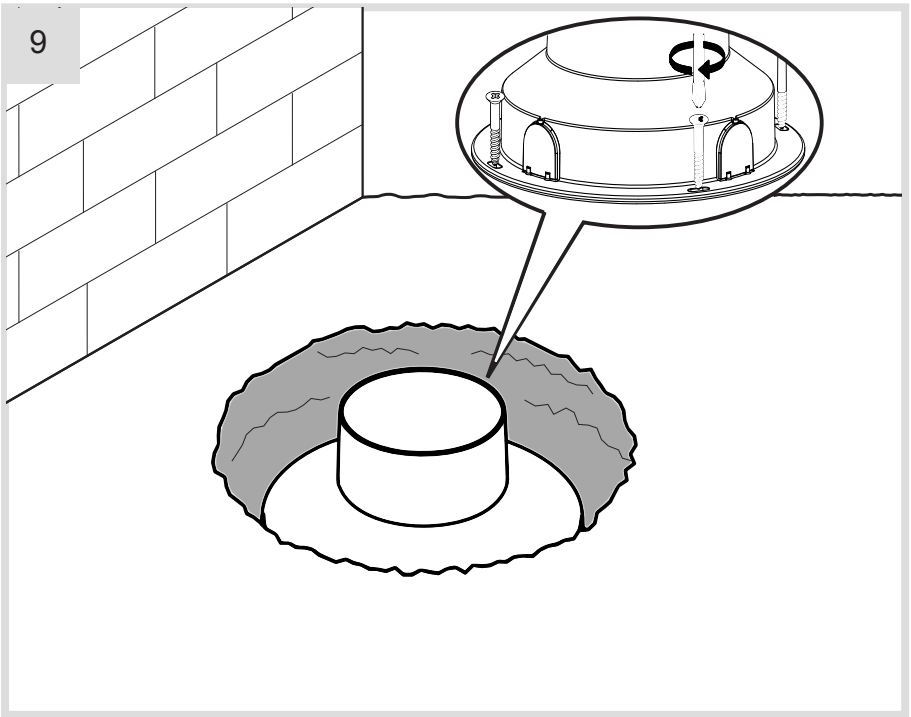
6



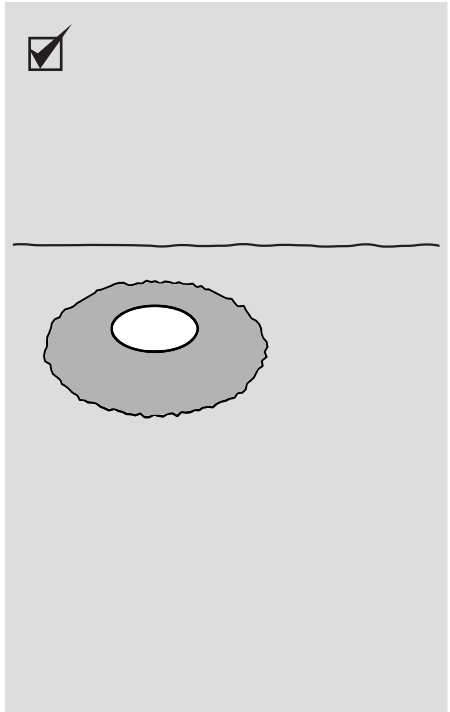
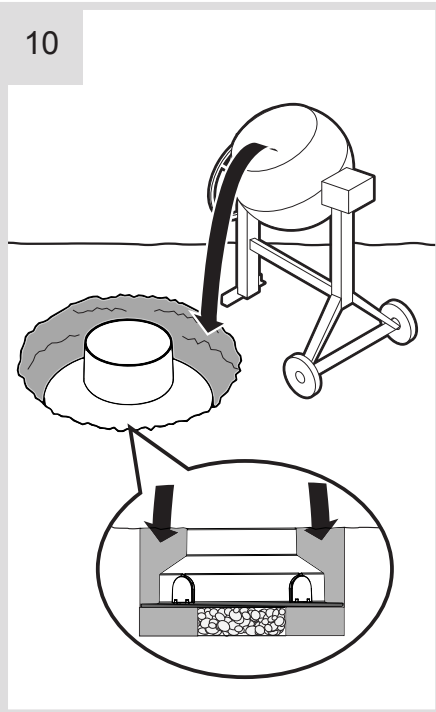
7



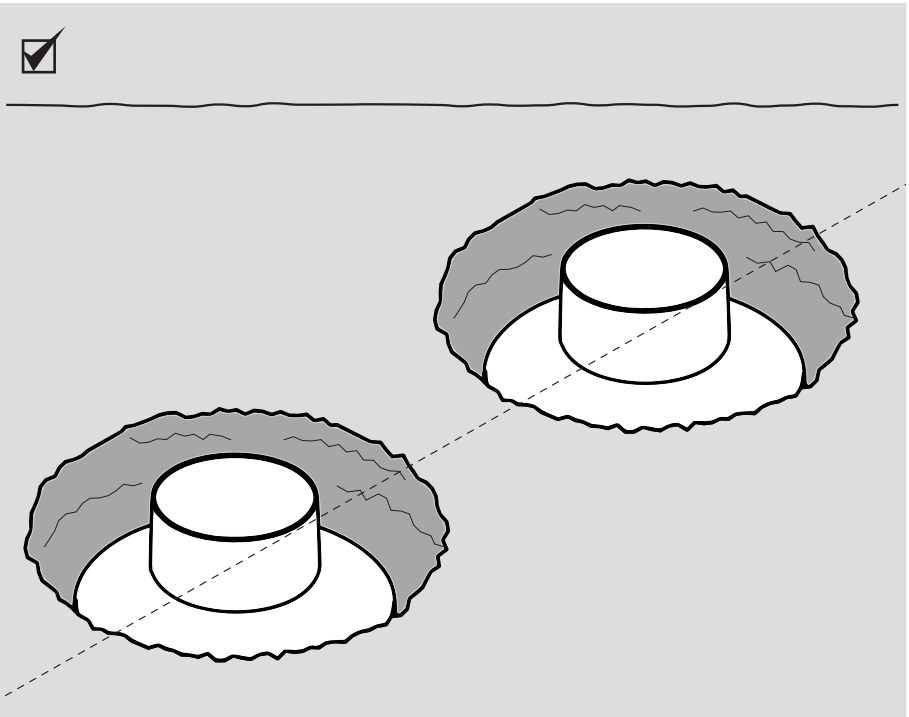
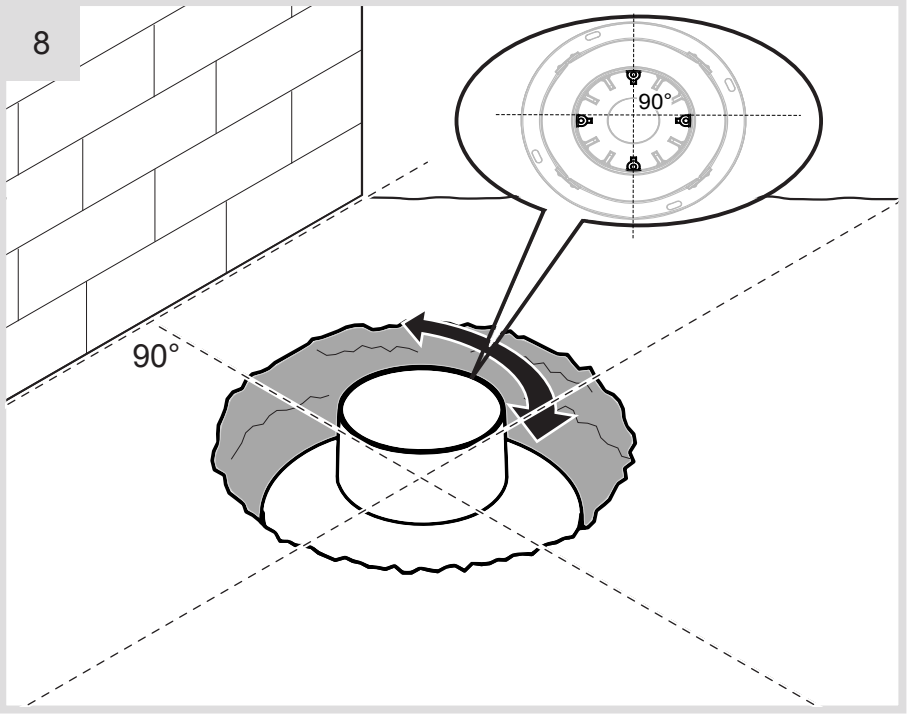
9



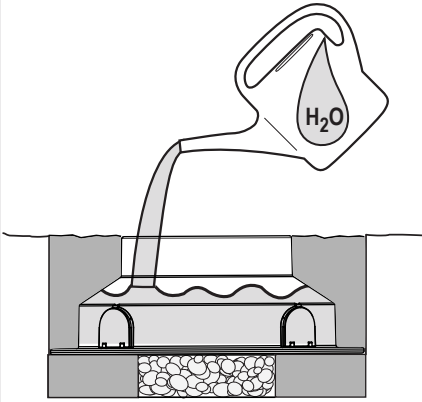
10



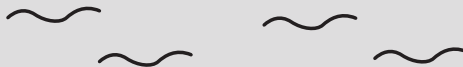
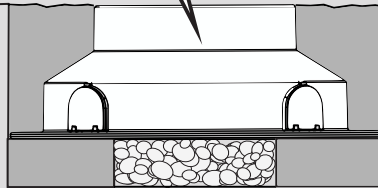
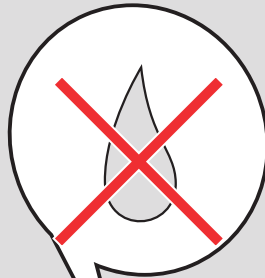
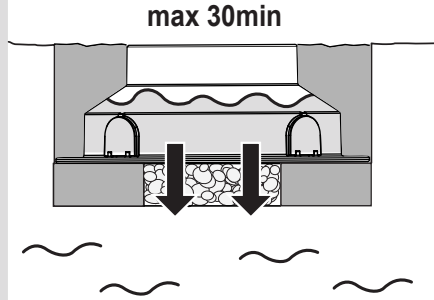
8



10



11



Artemide®



Artemide

via Bergamo, 18
20010 Pregnana M.se (MI)
ITALIA

tel. +39 02 935 181
fax +39 02 935 90 254
fax +39 02 935 90 496

www.artemide.com

VAT IT00846890150

cod. Y503500007