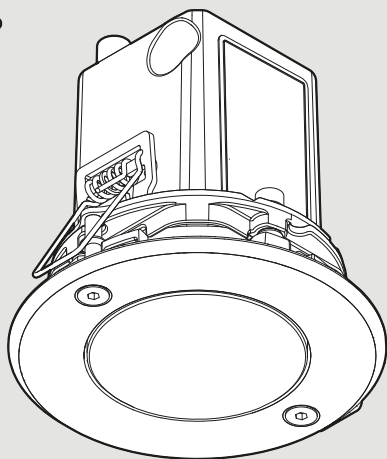
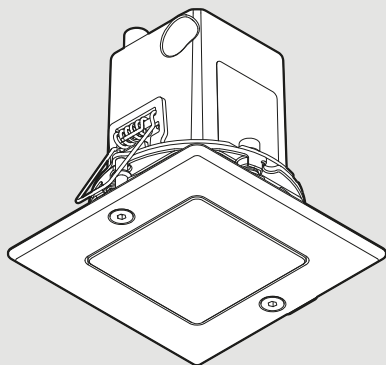


# Artemide®

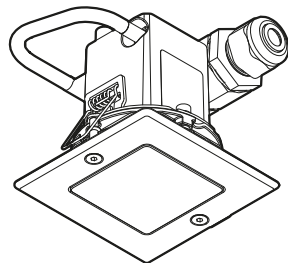
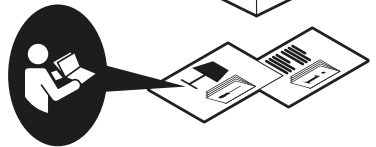
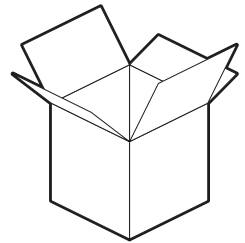
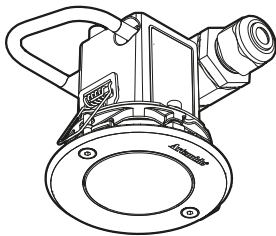
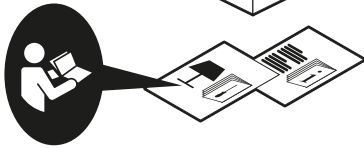
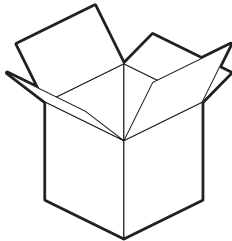
## Ego 55/90 Down Light



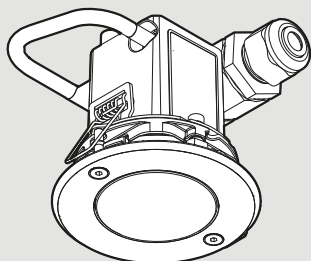


i

CE	III			EGO 55 3000 K ONLY
IP65	IP67		LED 1 from Dthr 1 m	LED 1
?	→		→	

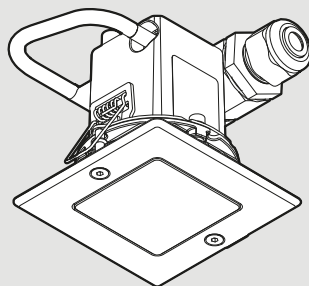


**i**



Ø 55 mm

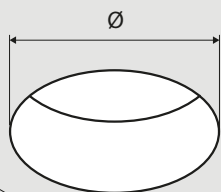
Ø 90 mm



55 x 55 mm

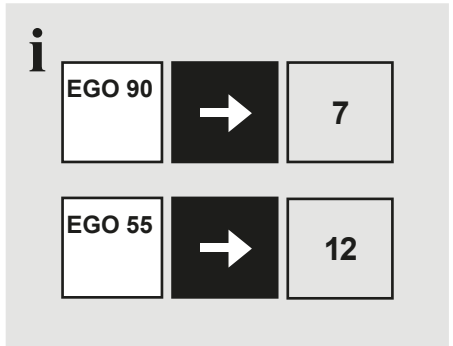
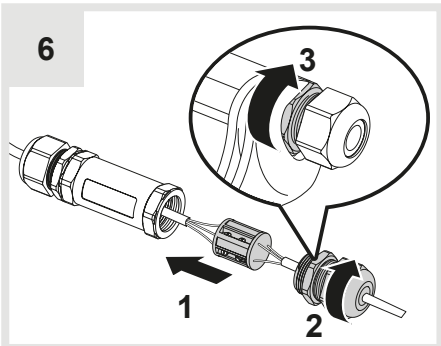
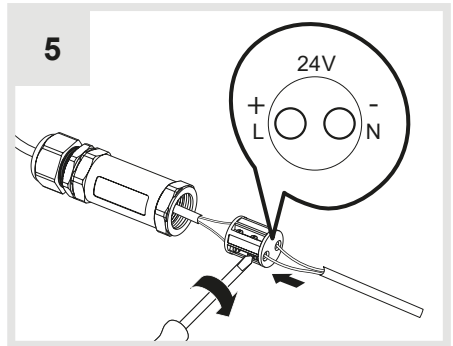
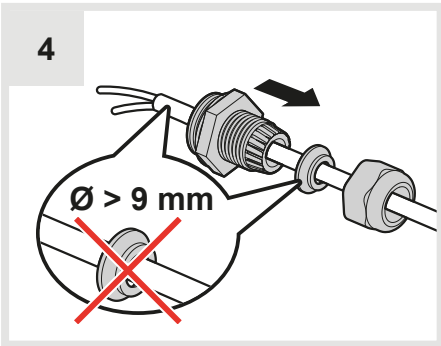
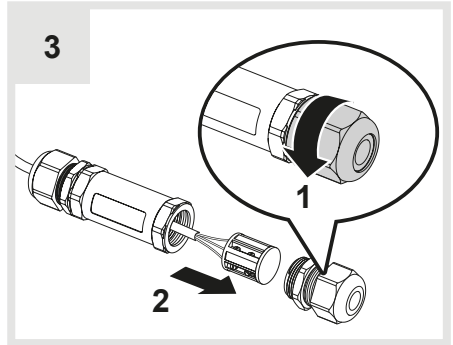
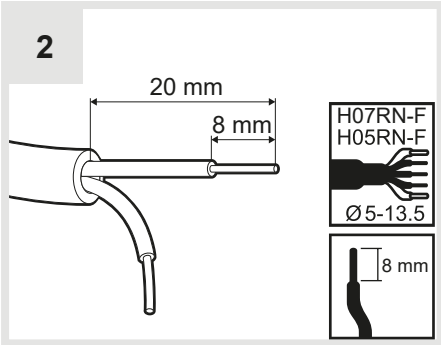
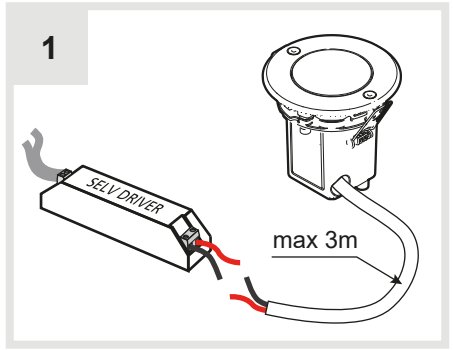
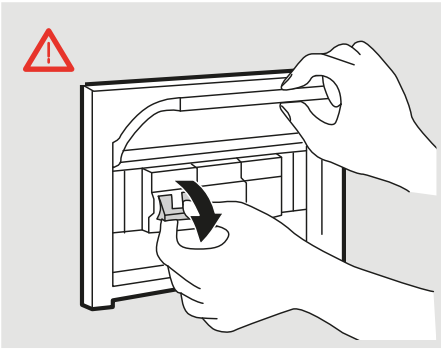
90 x 90 mm

**i**

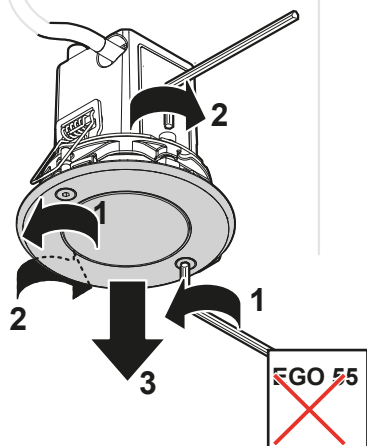


Ego 90: Ø 80mm +/- 2mm

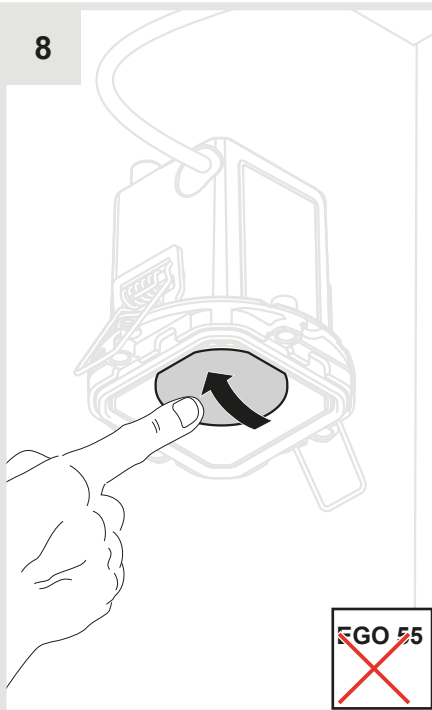
Ego 55: Ø 47mm +/- 2mm



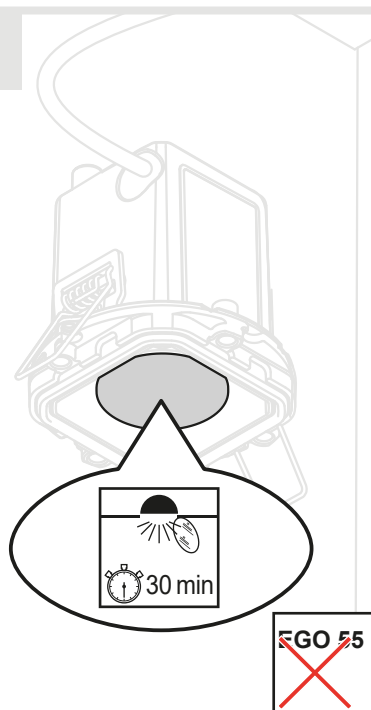
7



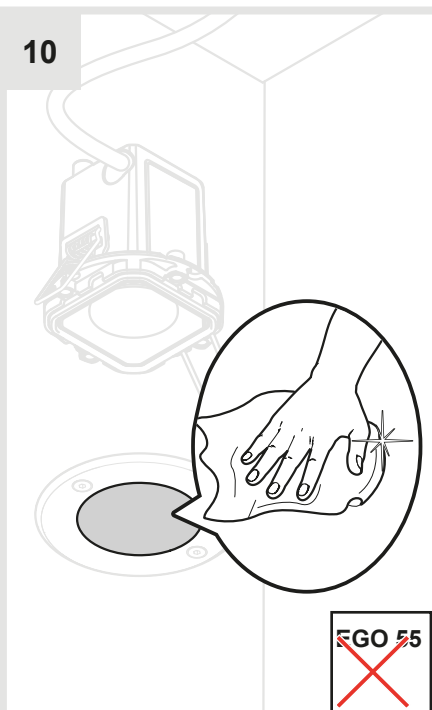
8



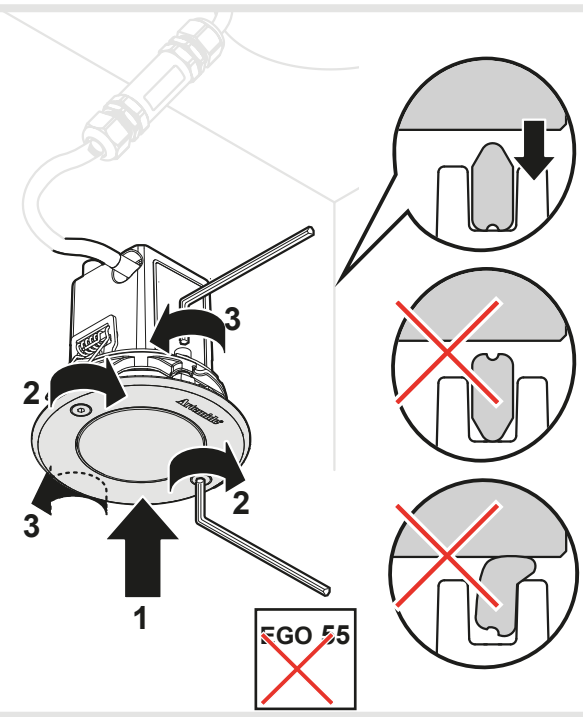
9



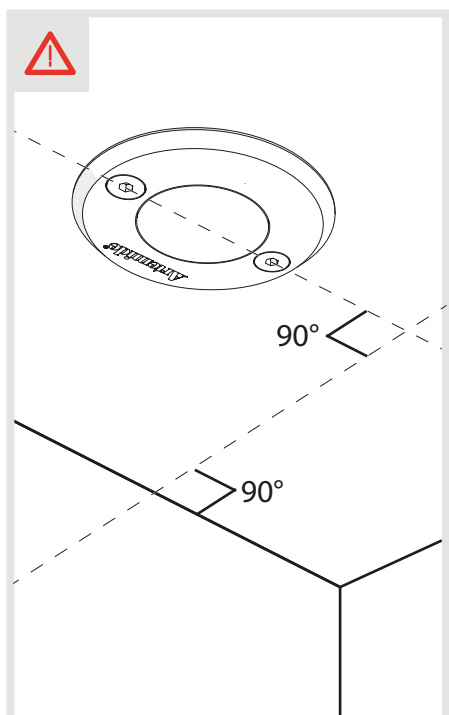
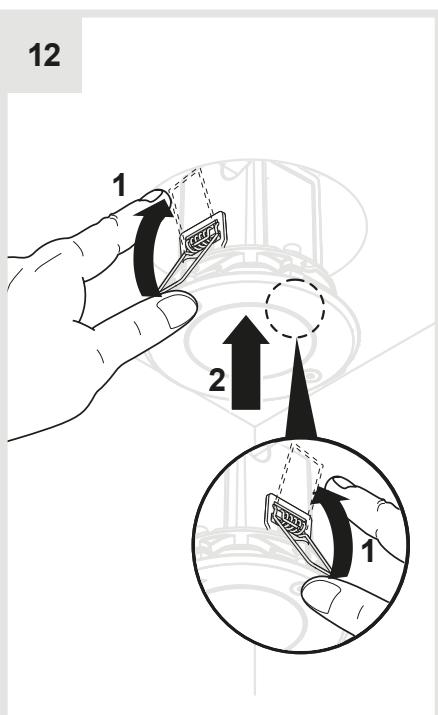
10

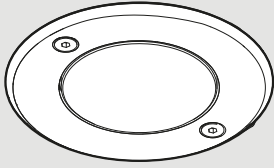


11

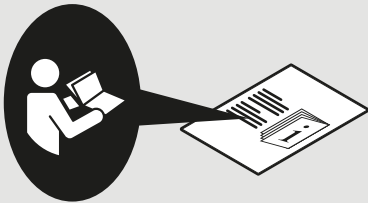


12

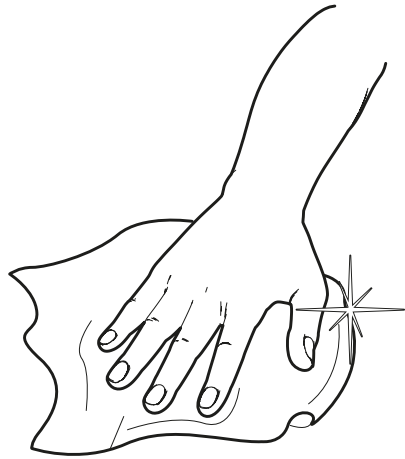




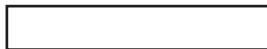
**i**



**1**



**Artemide®**



**Artemide Spa**

via Bergamo, 18  
20010 Pregnana M.se (MI)  
ITALIA

Tel. +39 02 935 181  
Fax +39 02 935 90 254  
Fax +39 02 935 90 496

[www.artemide.com](http://www.artemide.com)

VAT IT00846890150

cod. Y513000354E