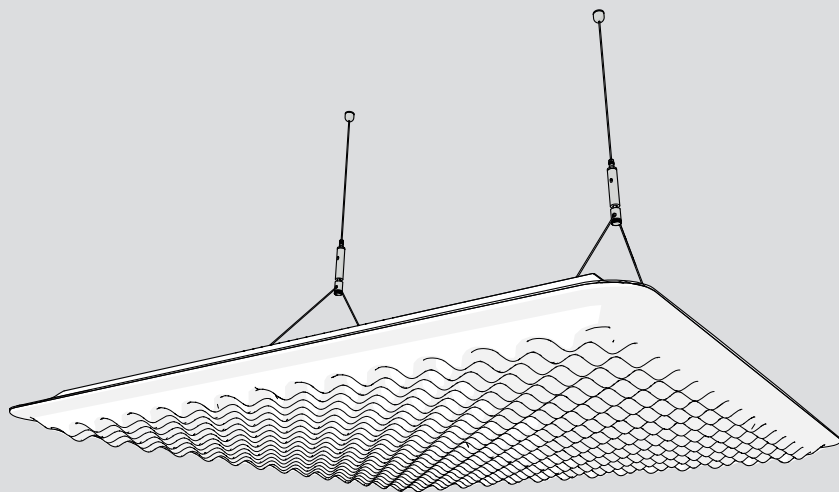


## Eggboard 800x800

design  
Progetto CMR

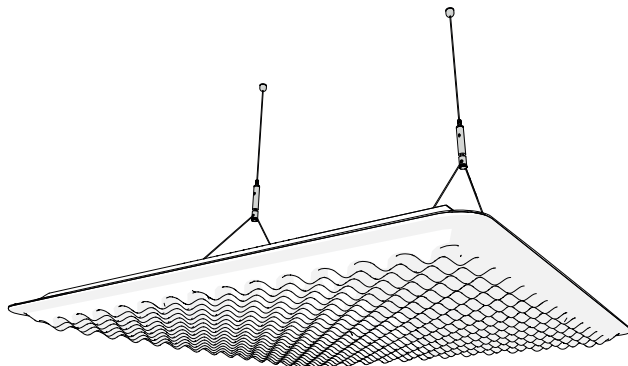
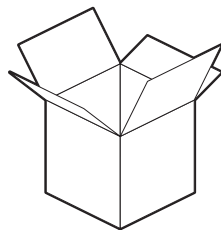
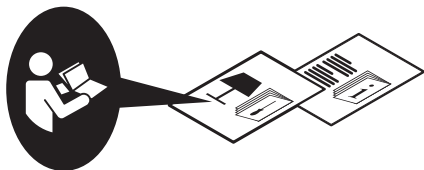


OUTDOOR

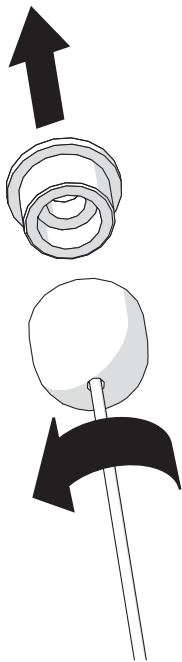




i

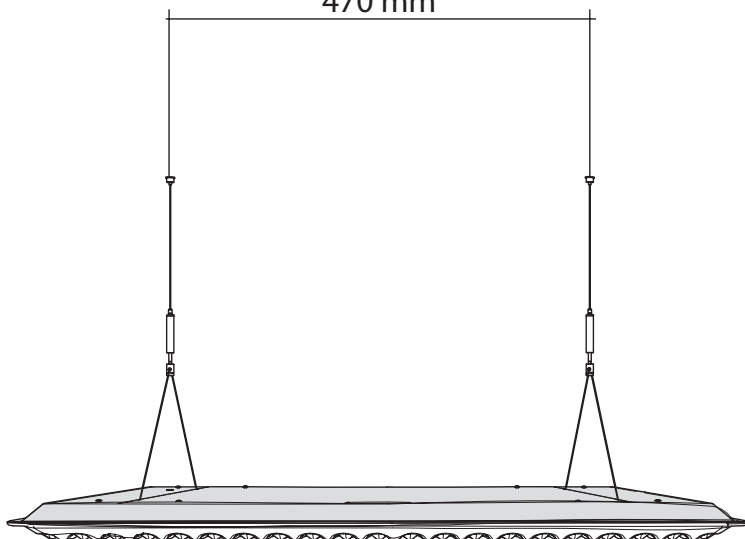


1

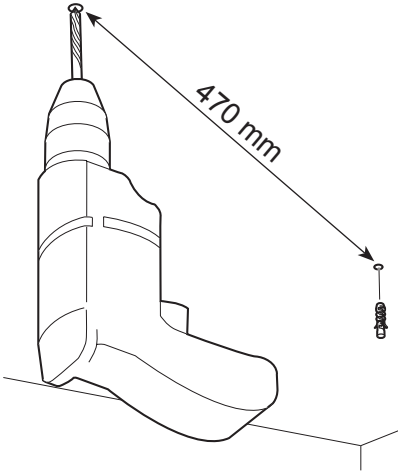


**i**

470 mm



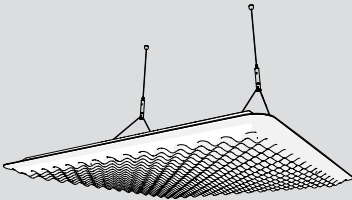
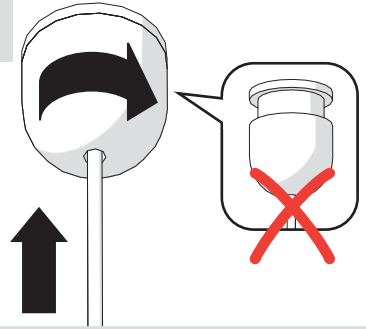
2



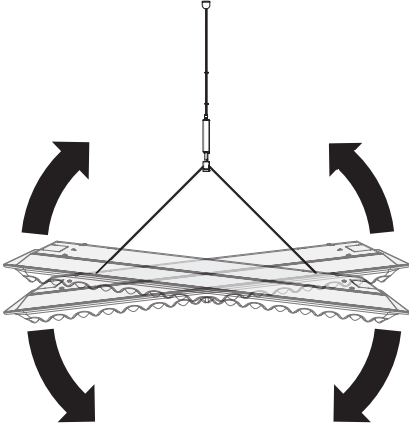
3



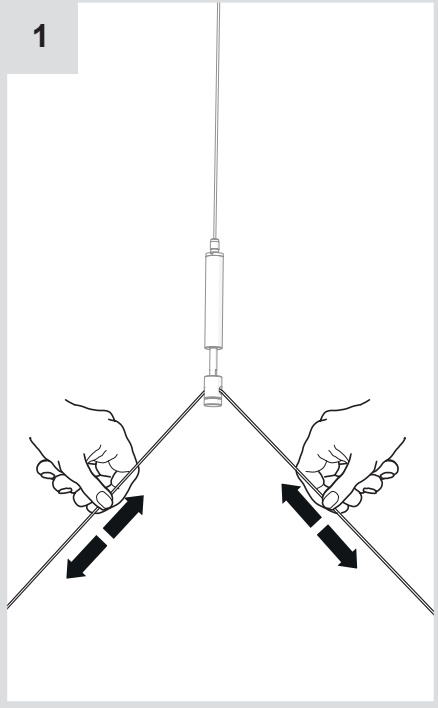
4



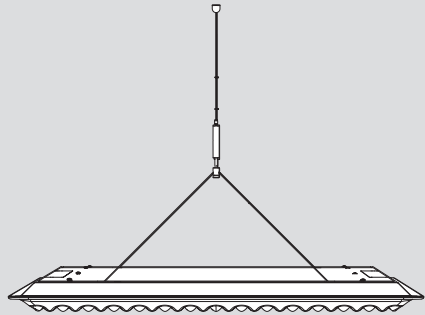
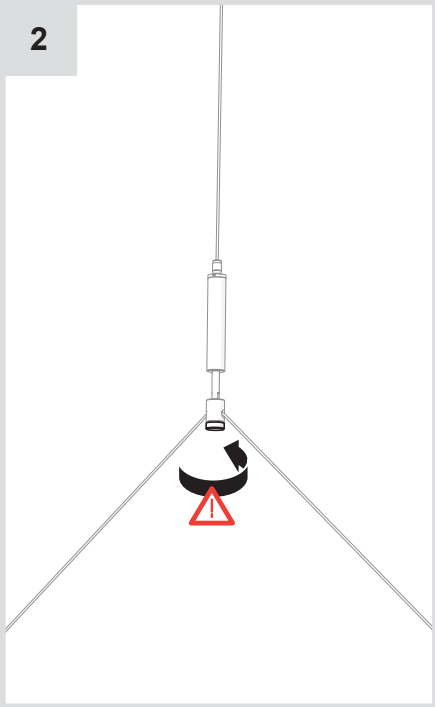
**i**



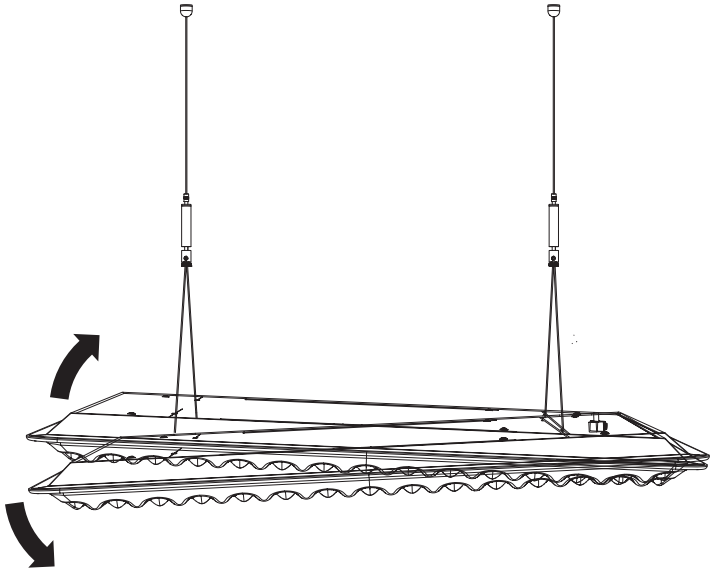
**1**



**2**



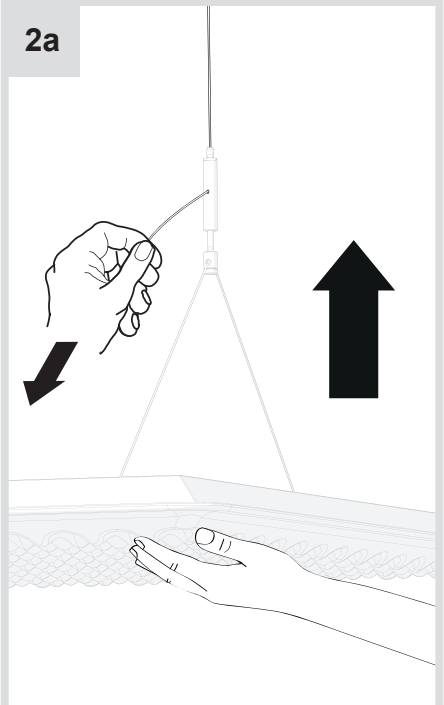
**i**



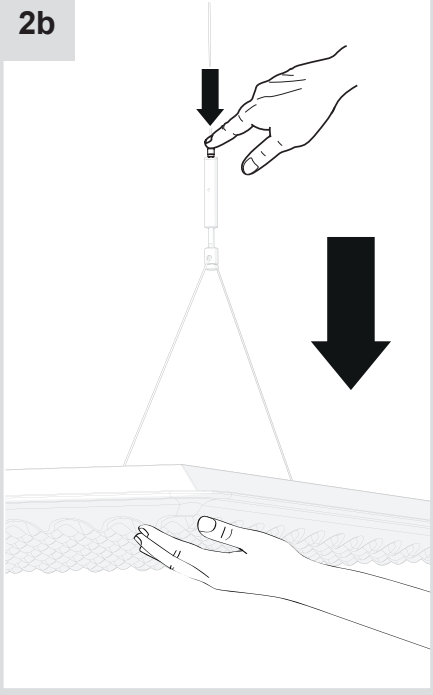
**1**



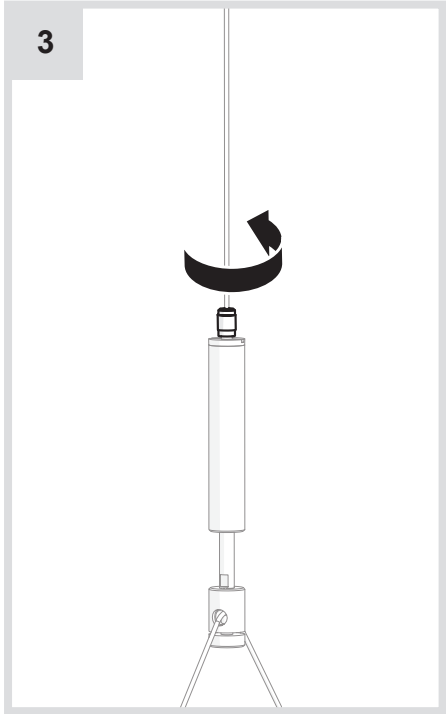
**2a**



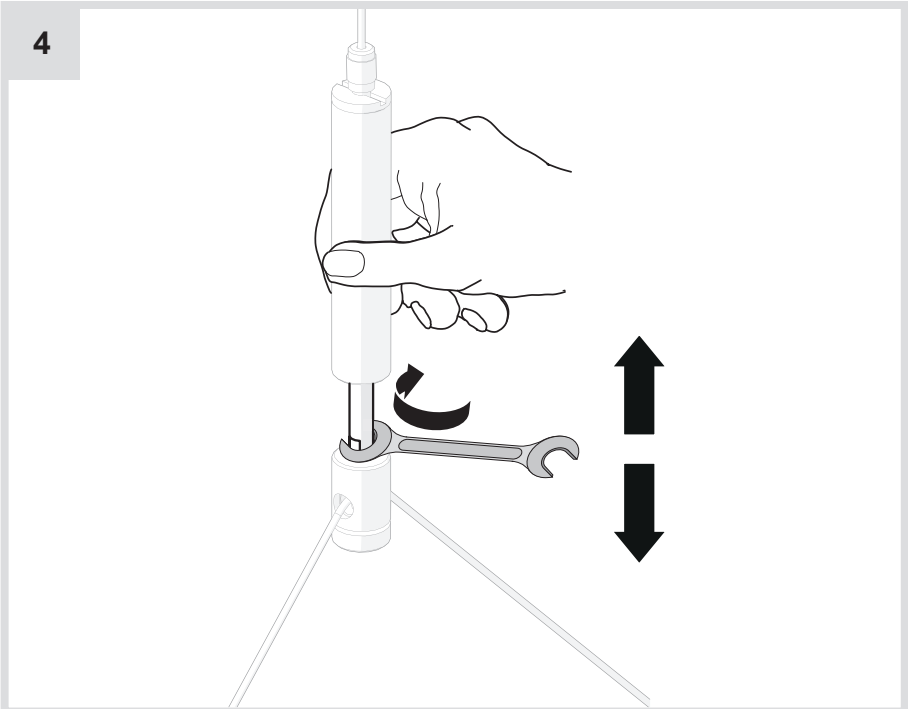
2b

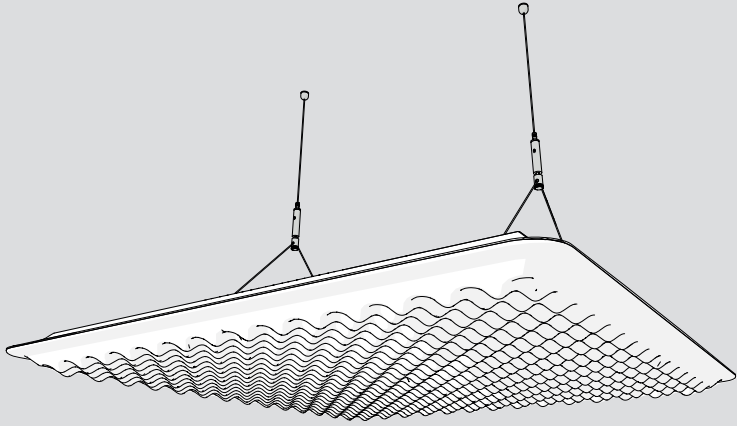


3

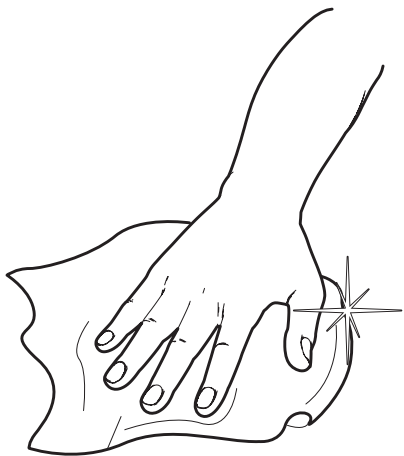


4













**Artemide**<sup>®</sup>  
ARCHITECTURAL



## **Artemide**

via Bergamo, 18  
20010 Pregnana M.se (MI)  
ITALIA

tel. +39 02 935 181  
fax +39 02 935 90 254  
fax +39 02 935 90 496

[www.artemide.com](http://www.artemide.com)

VAT IT00846890150

cod. Y513000438