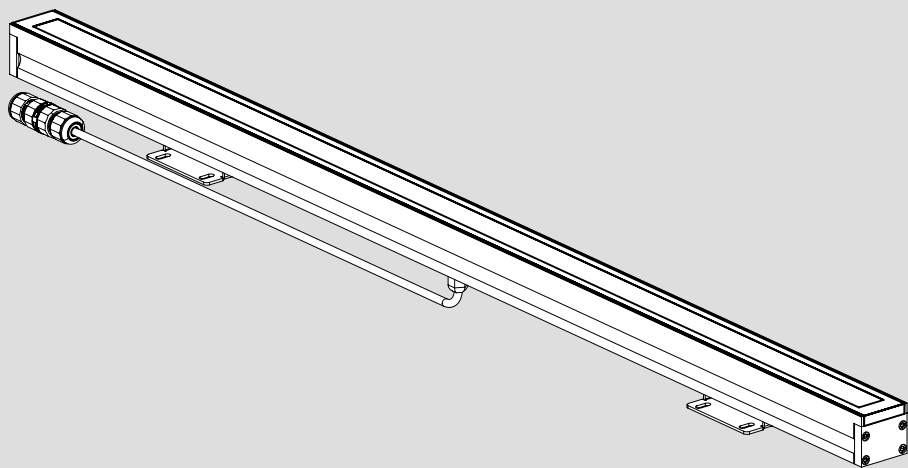
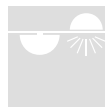


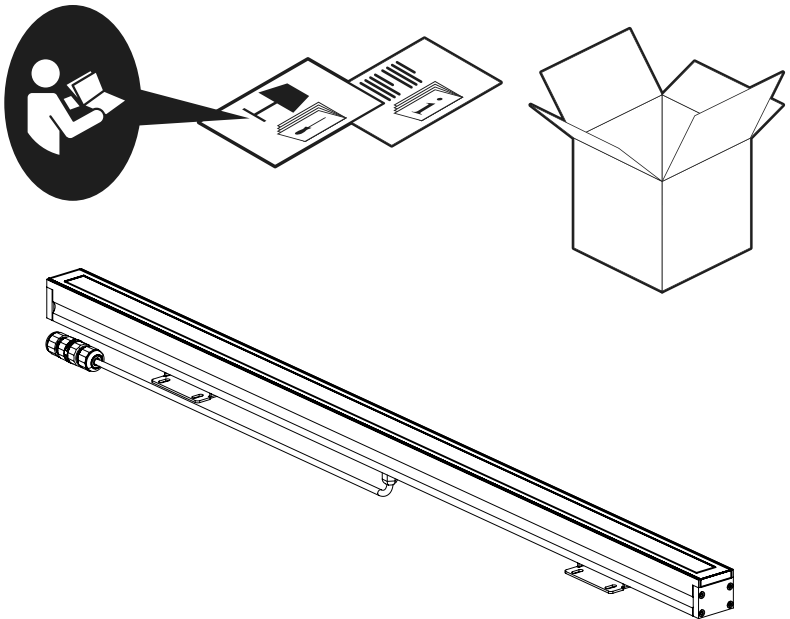
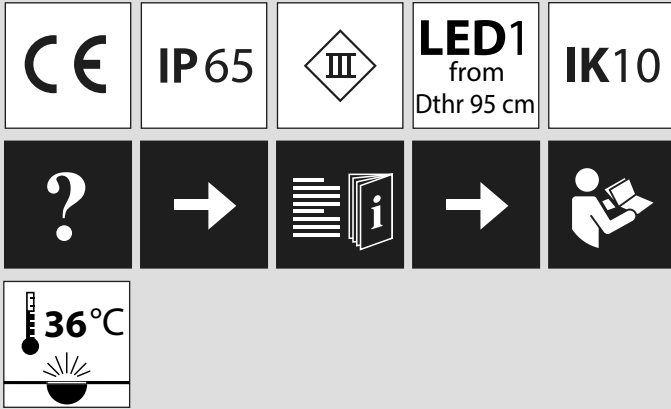
# Artemide®

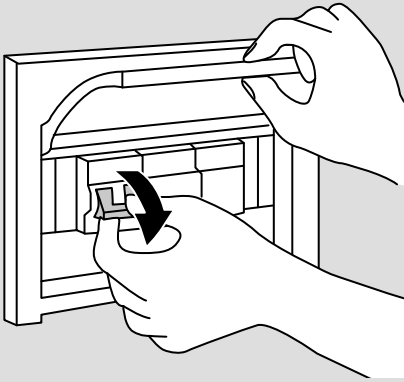
## Linealed Wallwasher Adjustable



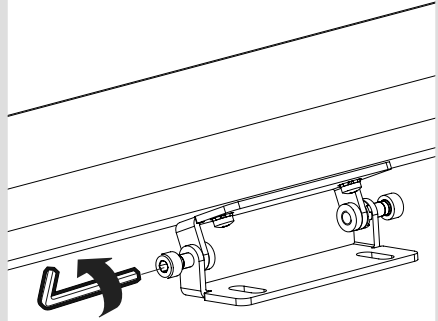


i

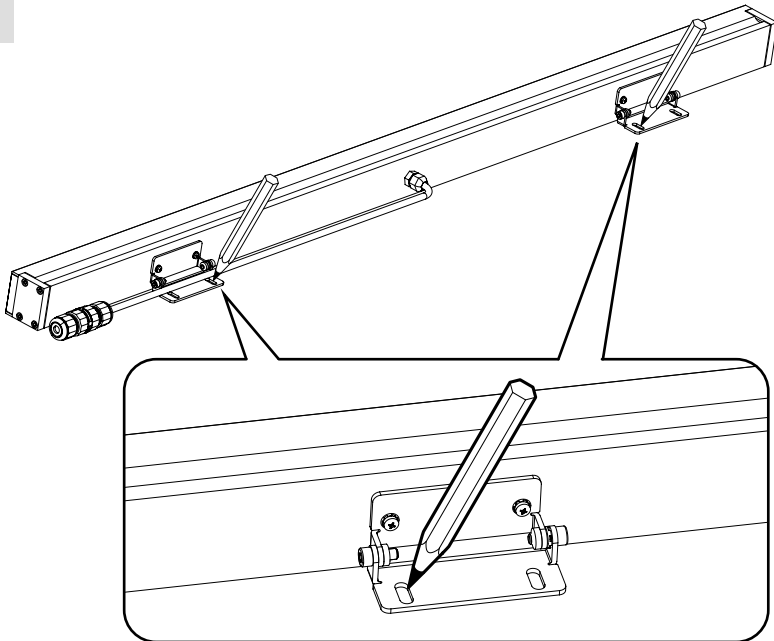




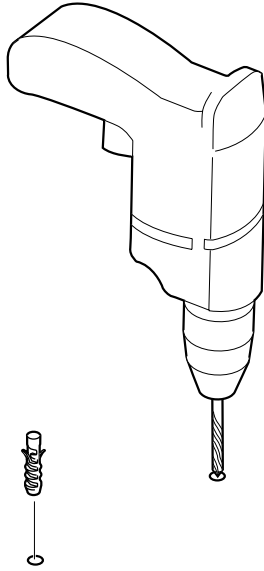
1



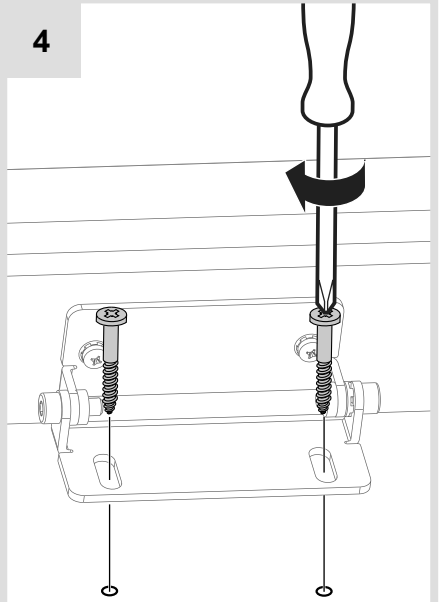
2



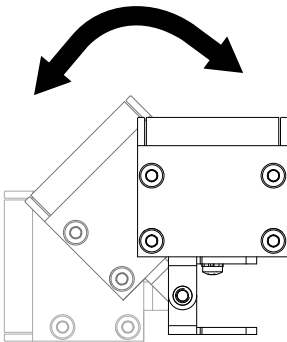
3



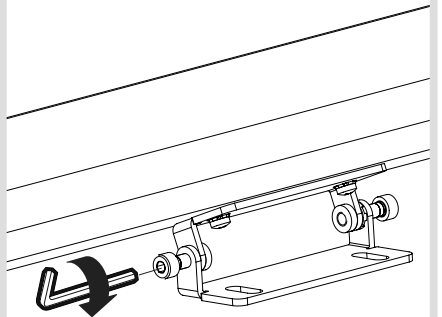
4



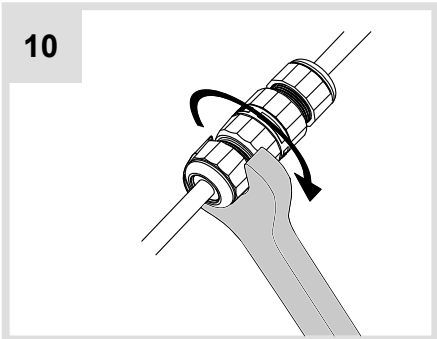
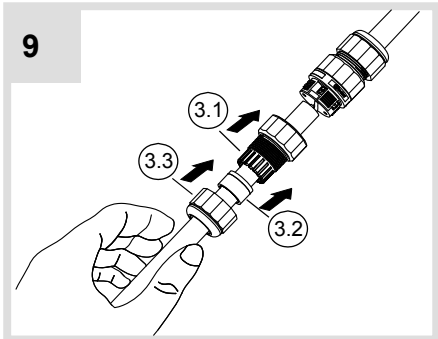
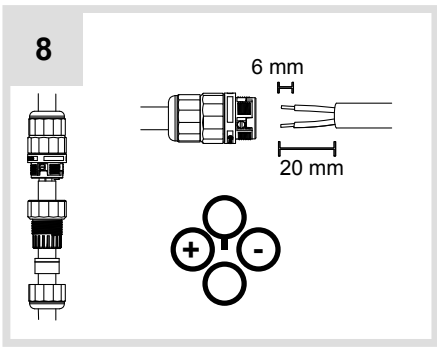
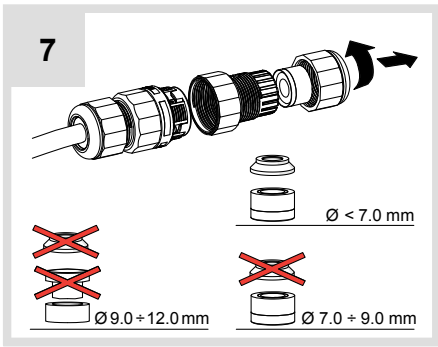
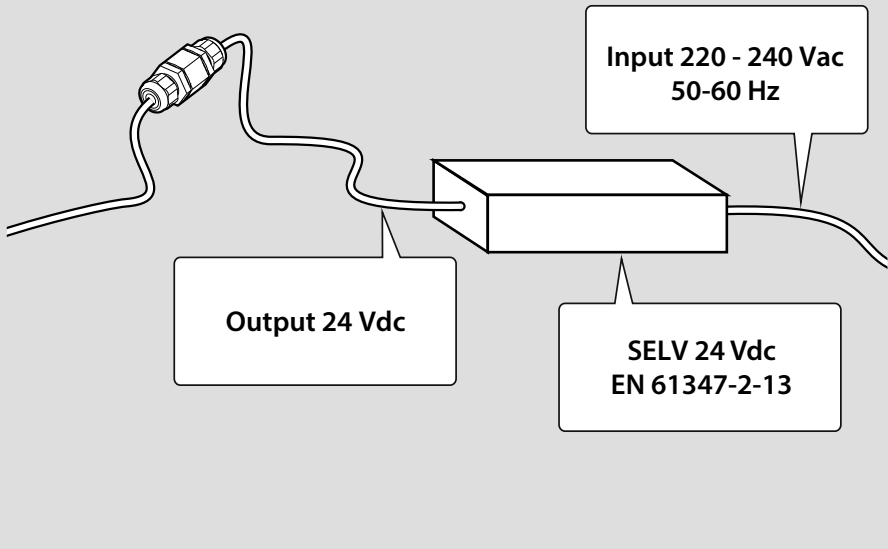
5

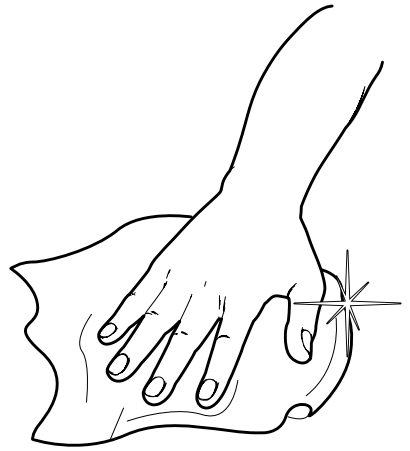
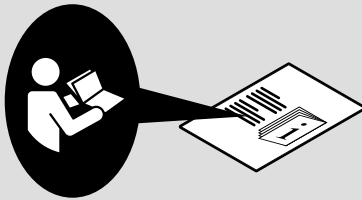
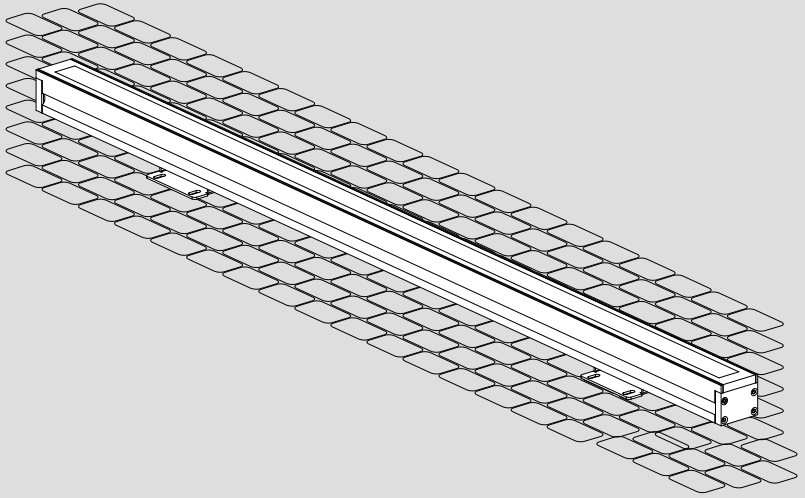


6



**i**





i



 +39 02935181

**Artemide** 

i

5 YEARS  
WARRANTY



**Artemide®**



**Artemide**

via Bergamo, 18  
20010 Pregnana M.se (MI)  
ITALIA

tel. +39 02 935 181  
fax +39 02 935 90 254  
fax +39 02 935 90 496

[www.artemide.com](http://www.artemide.com)

VAT IT00846890150

cod. Y513000528