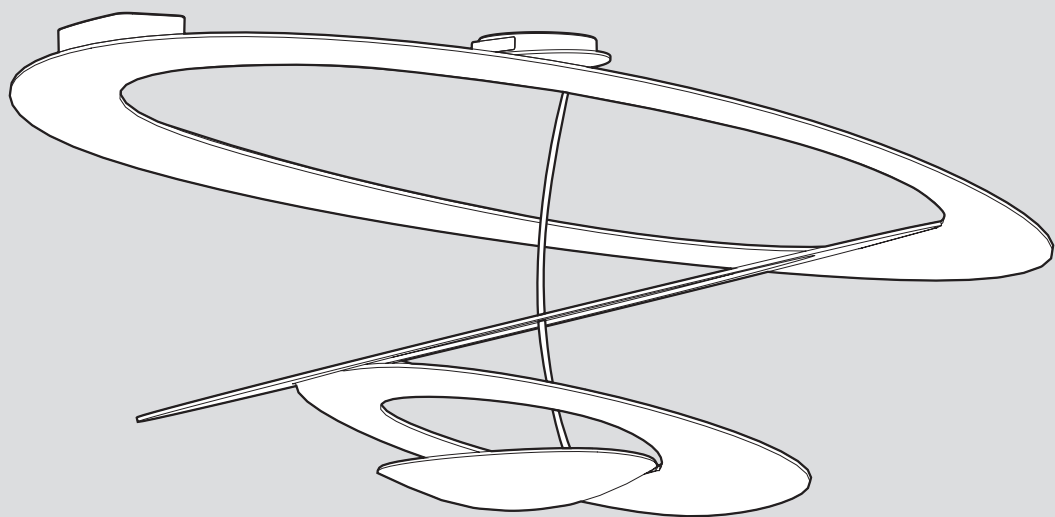


Artemide®

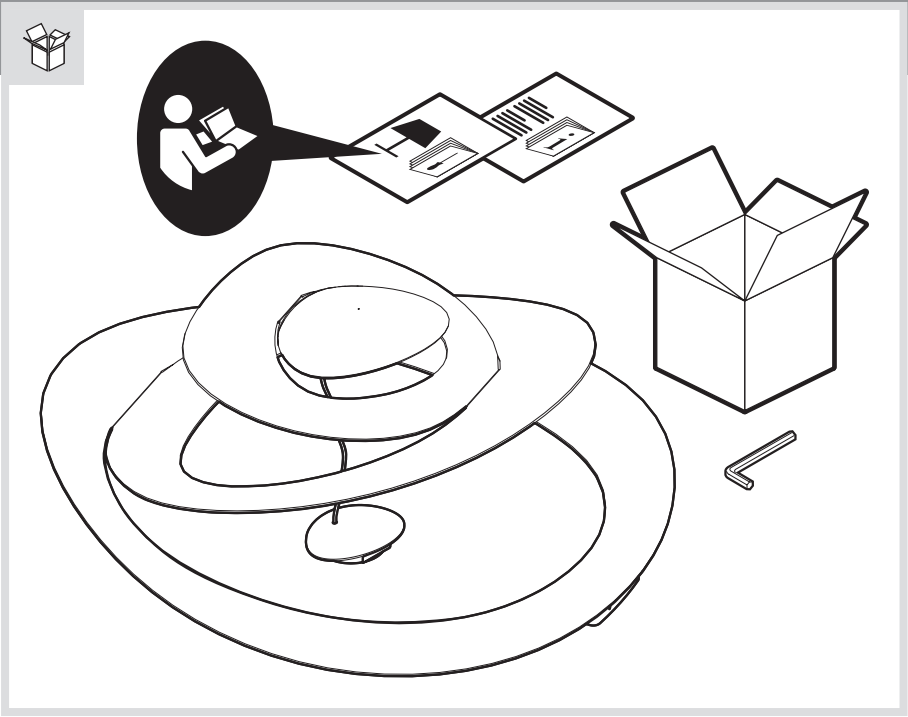
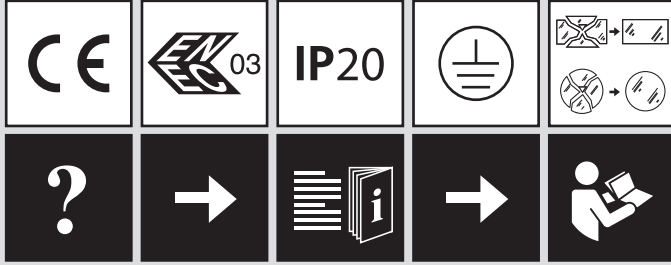
Pirce

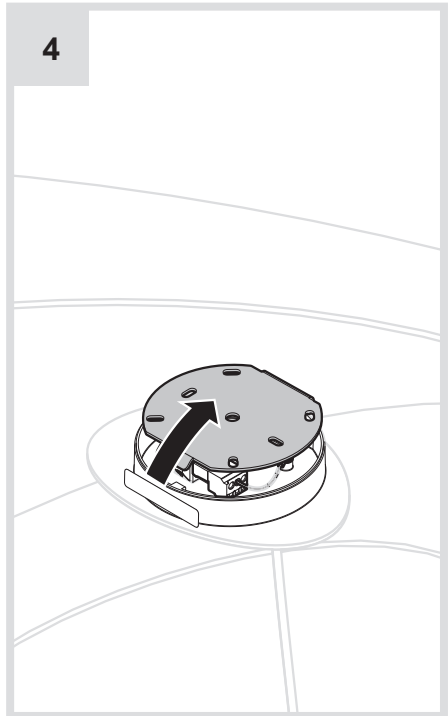
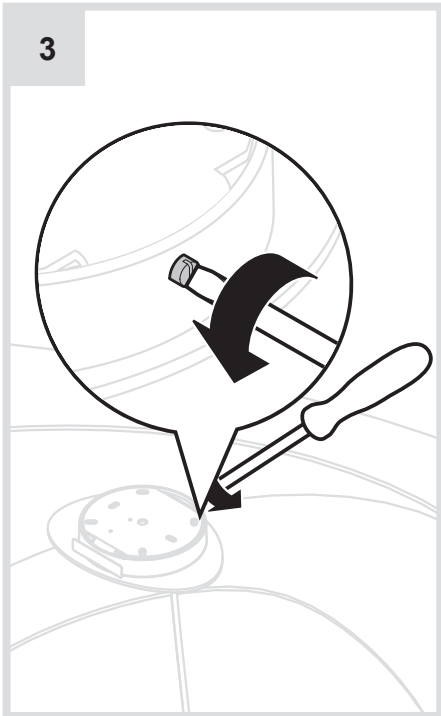
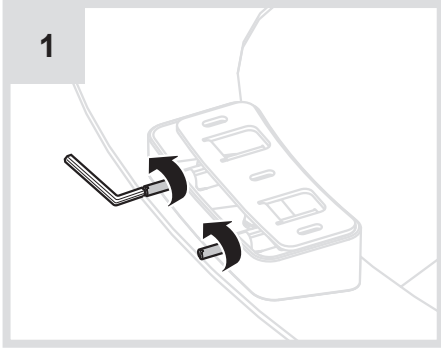
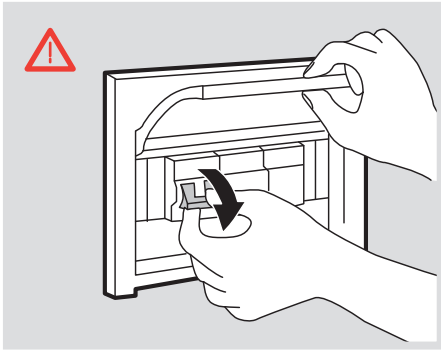
design
G. M. Scutellà



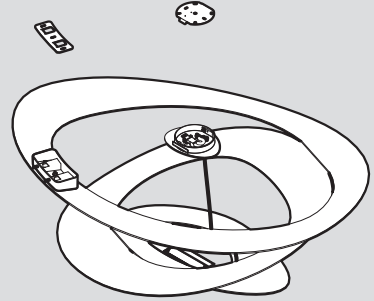
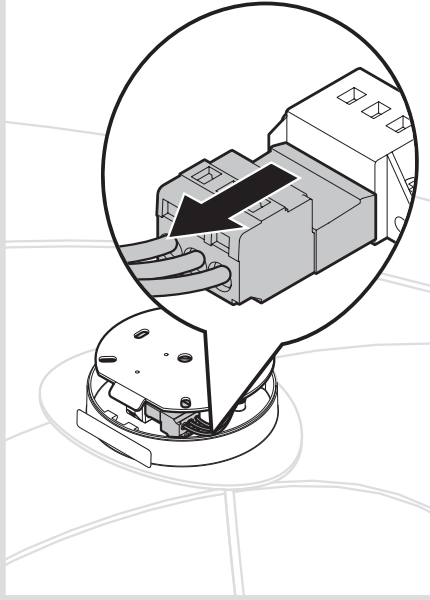


i

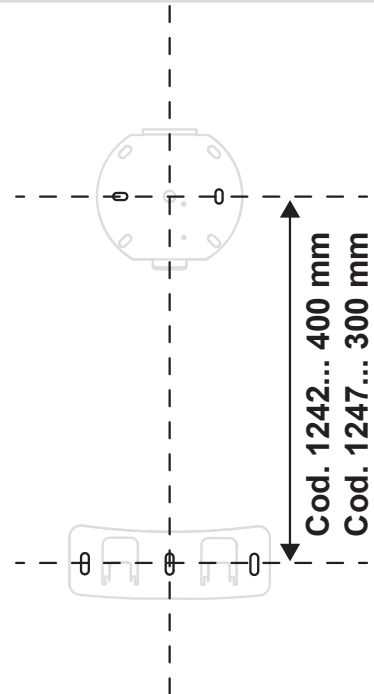
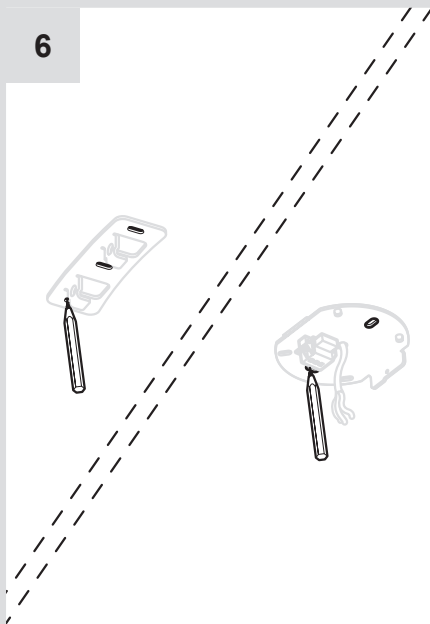




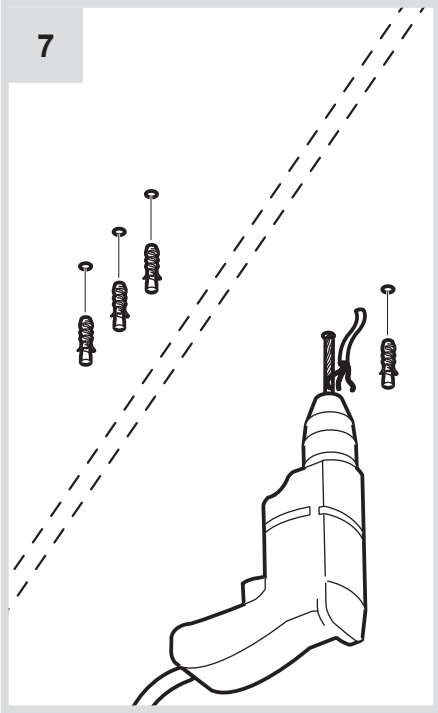
5



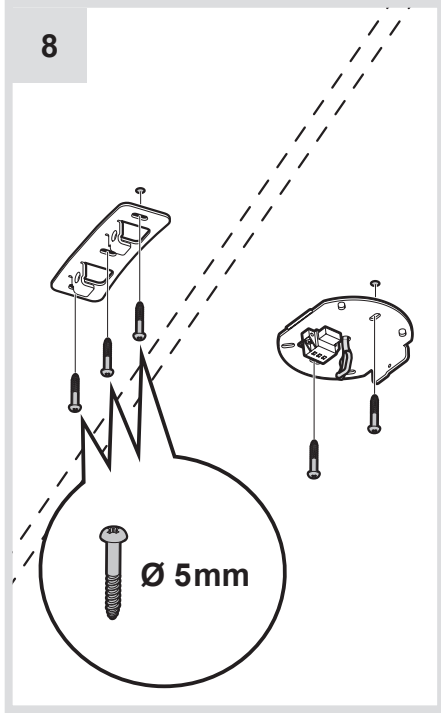
6



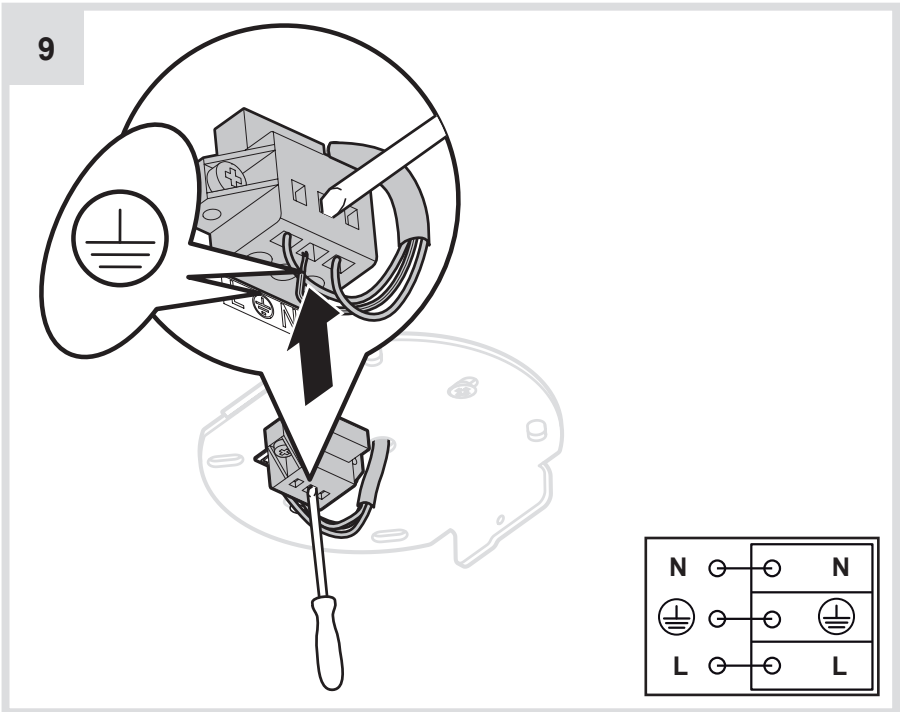
7



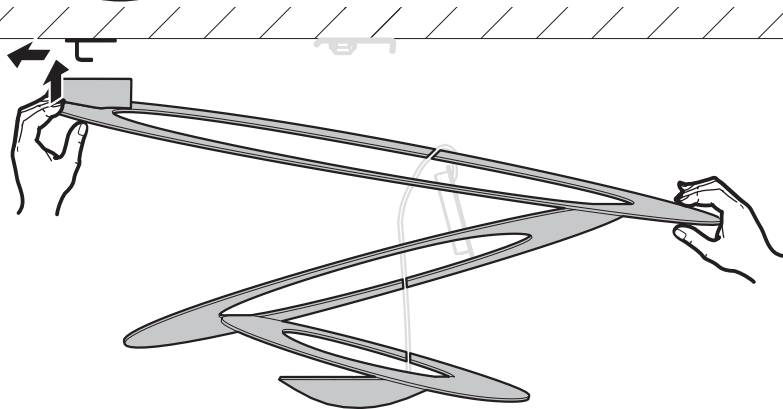
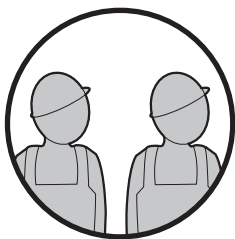
8



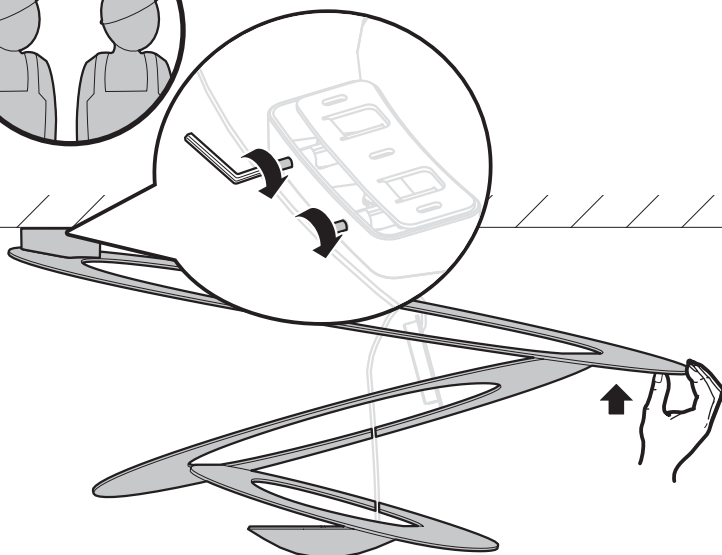
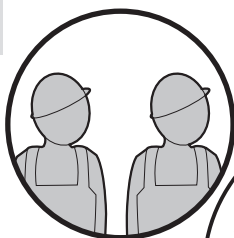
9



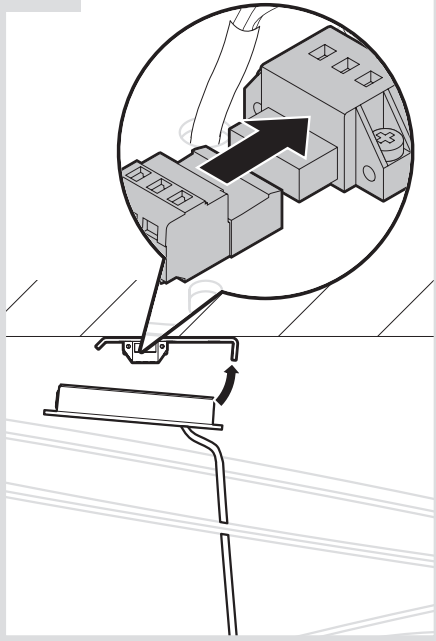
10



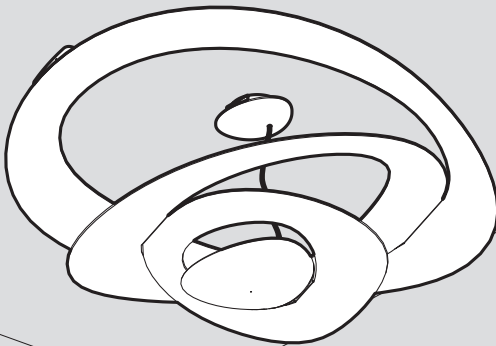
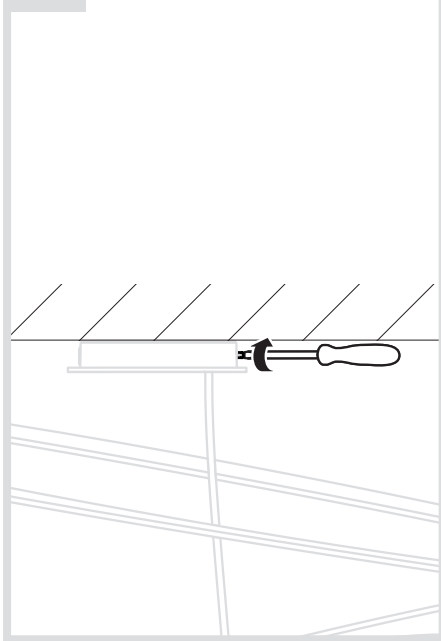
11



12

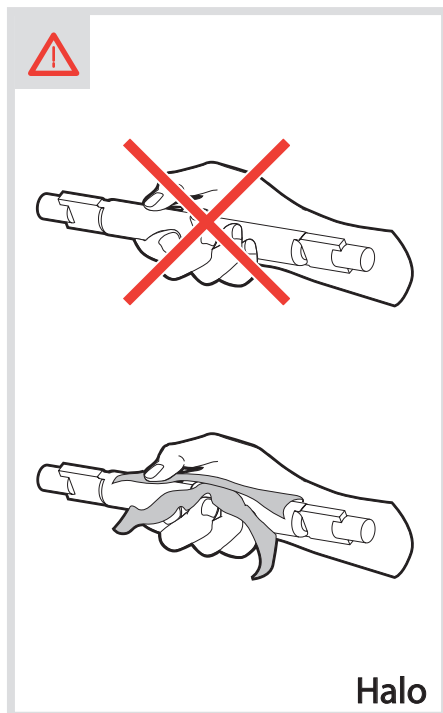
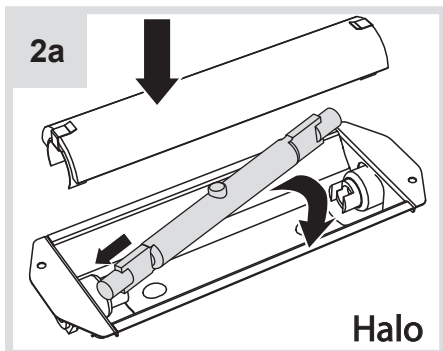
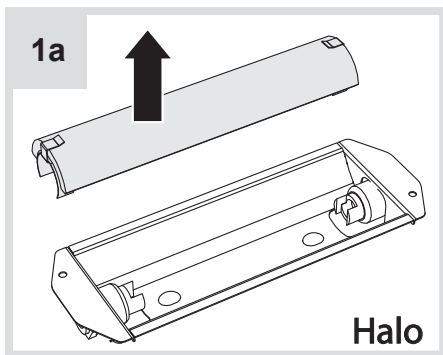
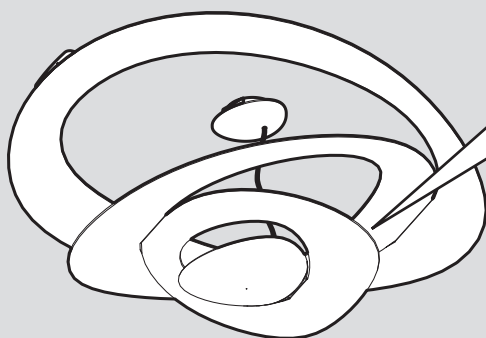
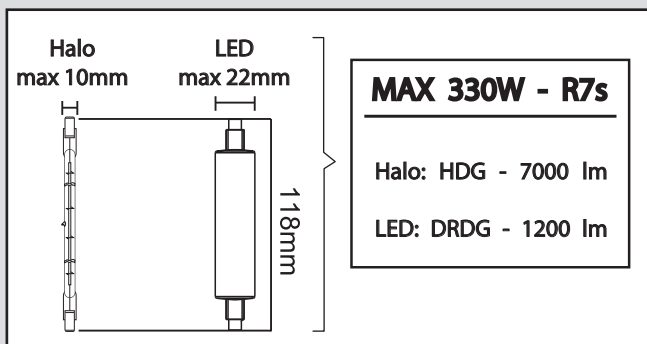


13

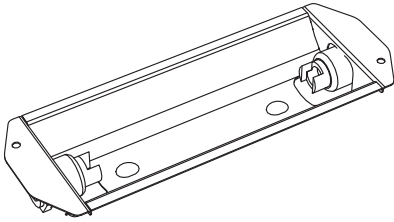
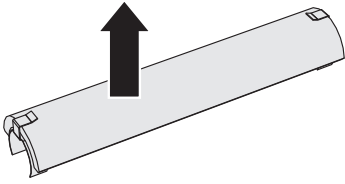




i

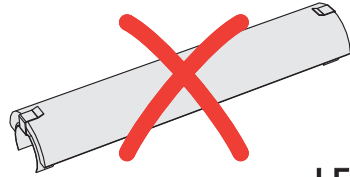
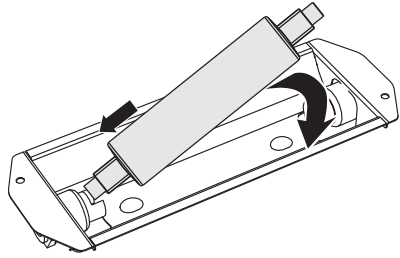


1b

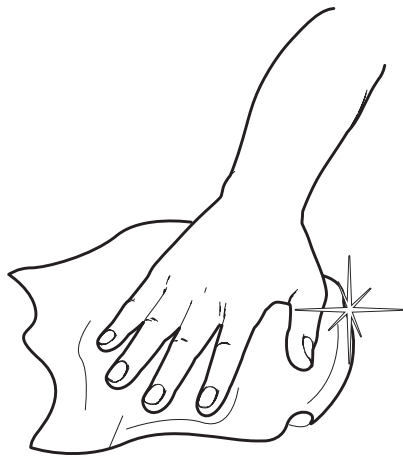
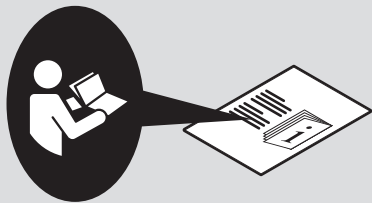


LED

2b



LED



Artemide®



Artemide

via Bergamo, 18
20010 Pregnana M.se (MI)
ITALIA

tel. +39 02 935 181
fax +39 02 935 90 254
fax +39 02 935 90 496

www.artemide.com

VAT IT00846890150

cod. Y513000530