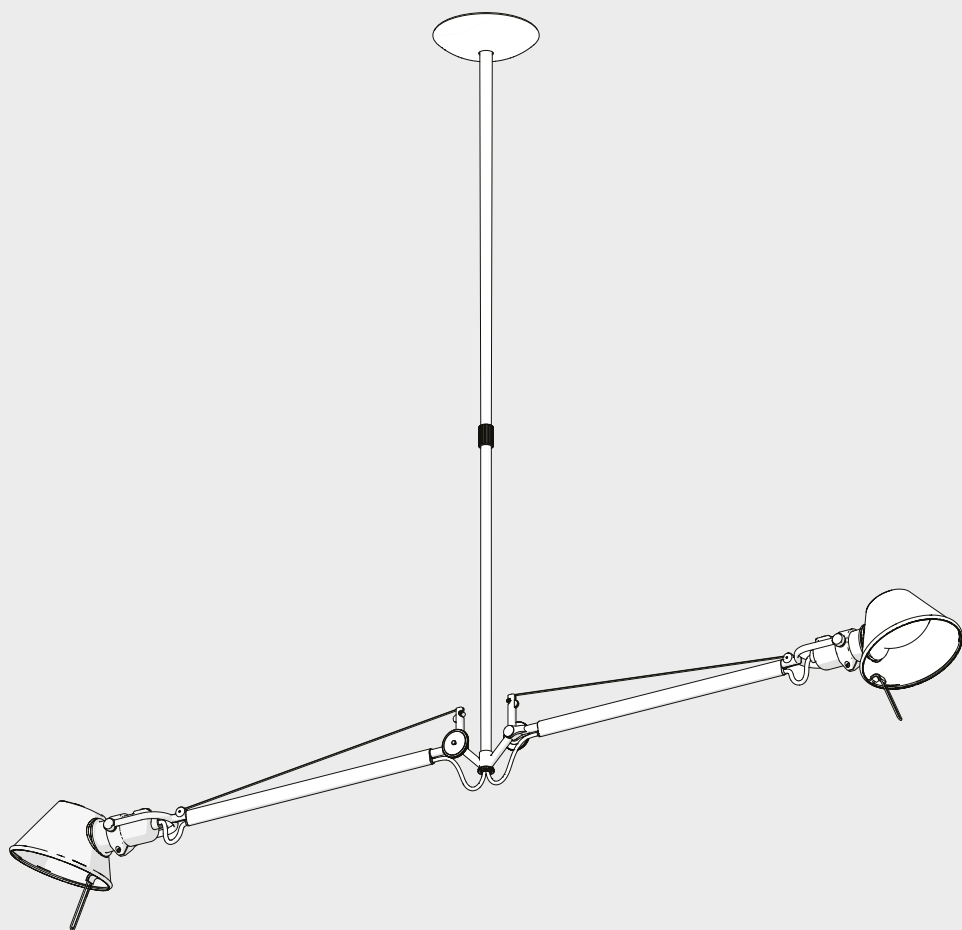


Artemide®

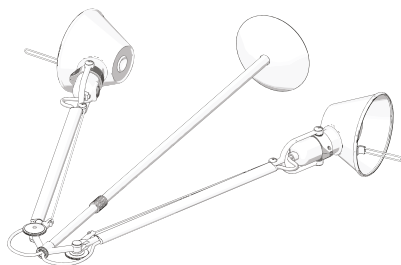
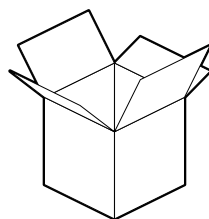
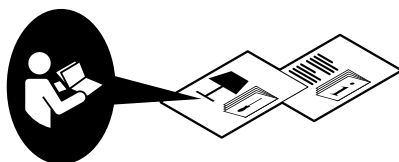
TOLOMEO SOSPENSIONE

design
M. De Lucchi
G. Fassina

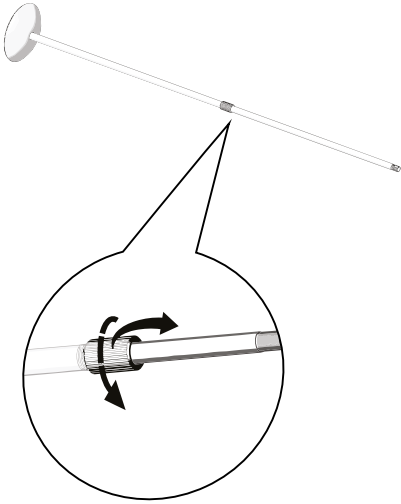




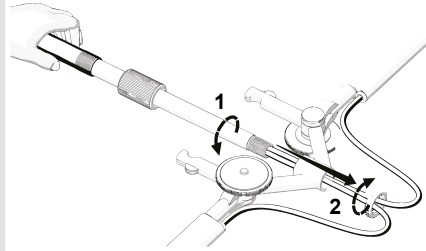
i



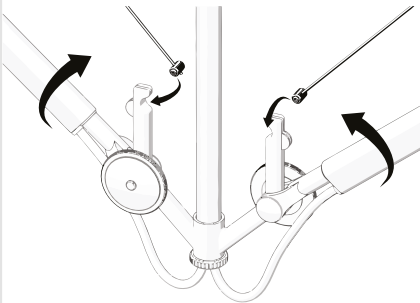
1



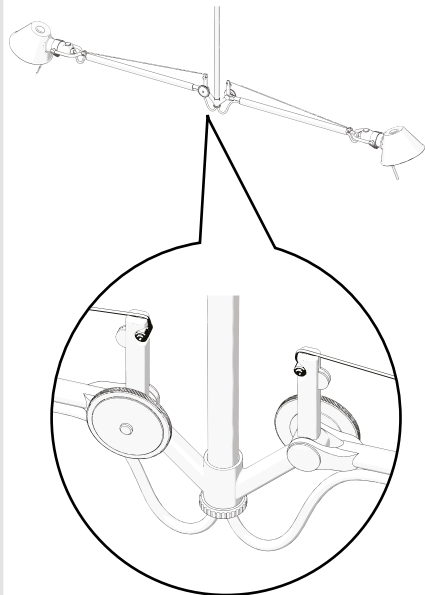
2



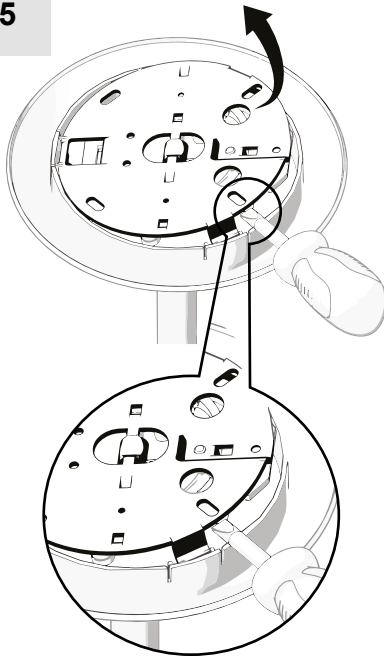
3



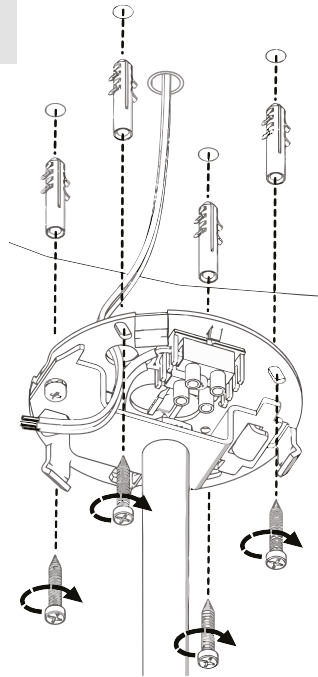
4



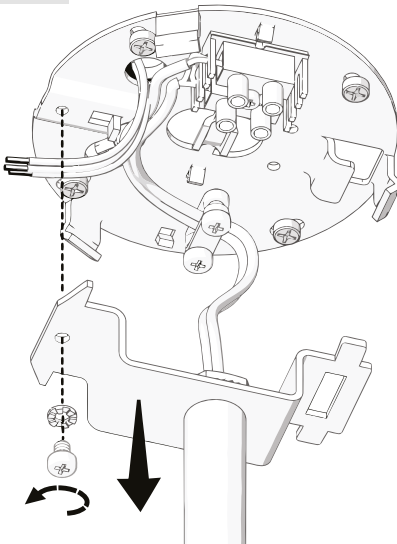
5



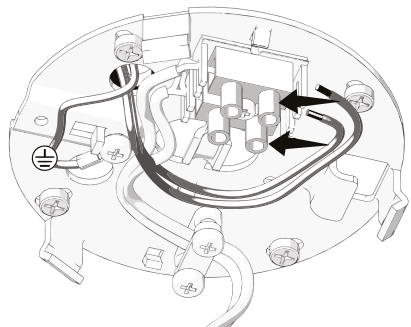
6



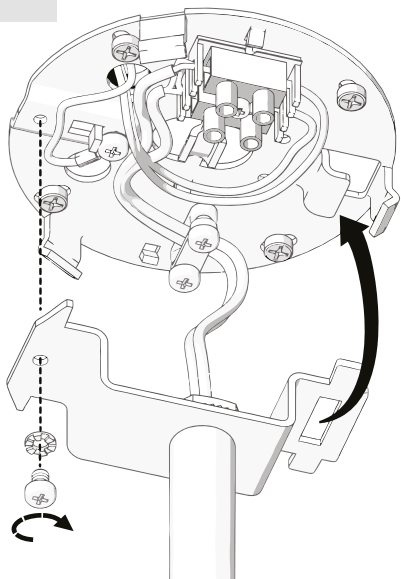
7



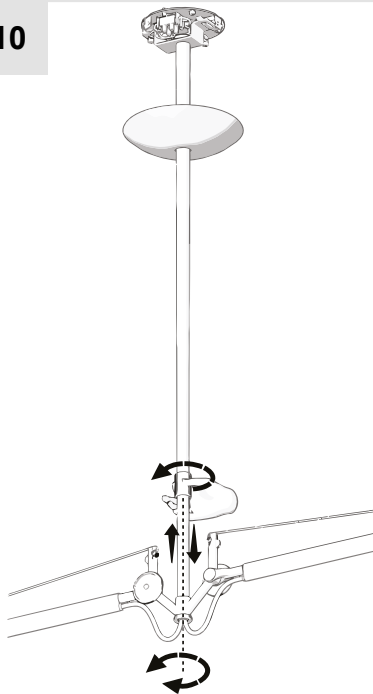
8



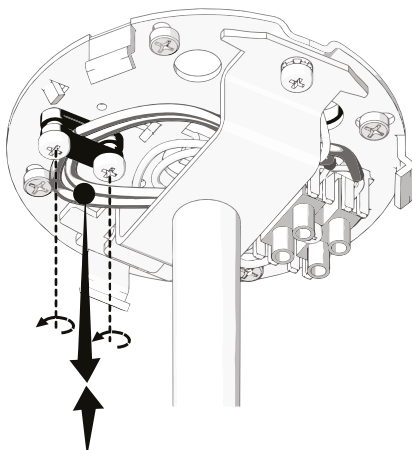
9



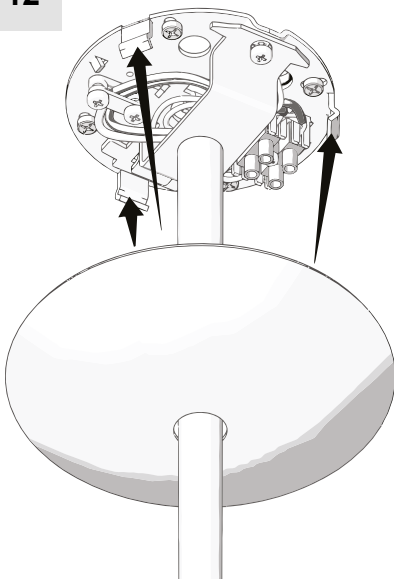
10



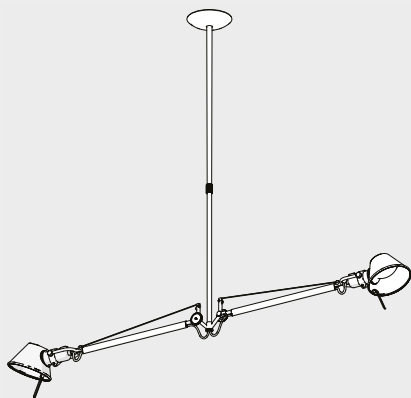
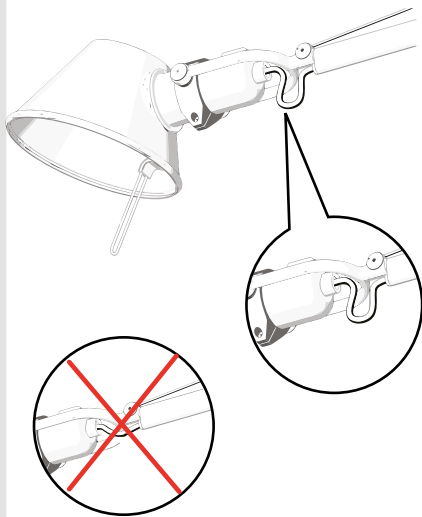
11



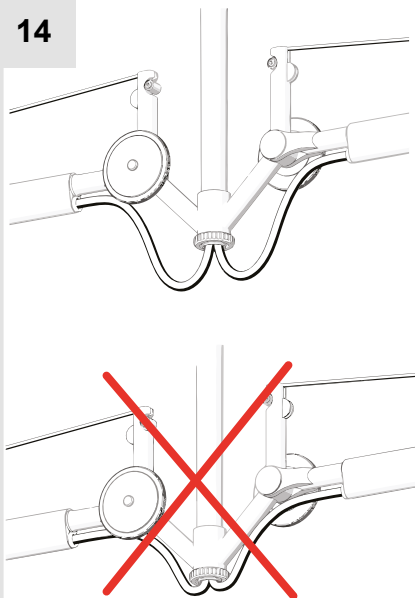
12



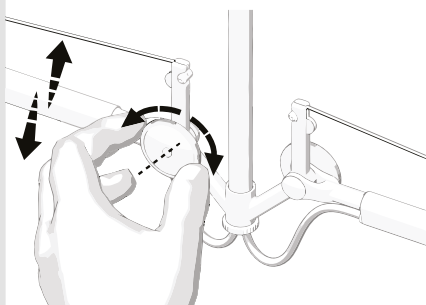
13



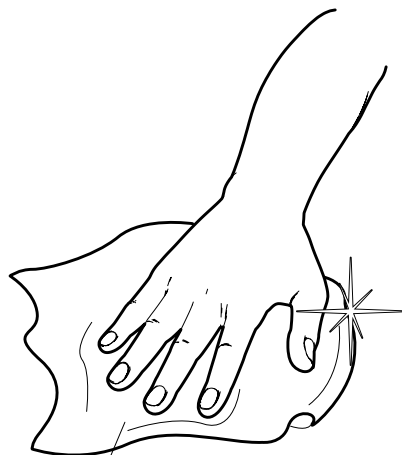
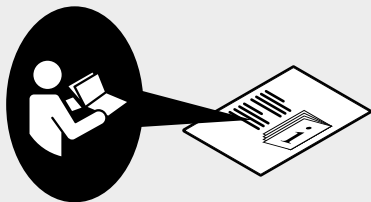
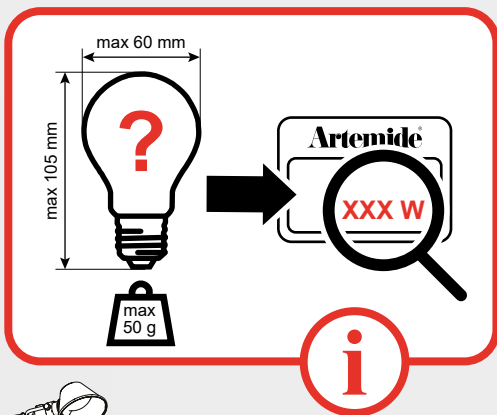
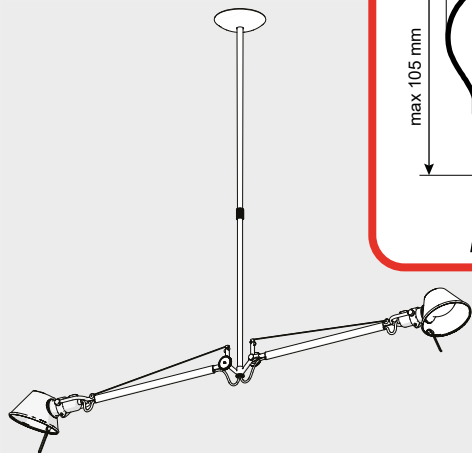
14



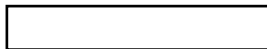
15



i



Artemide®



Artemide

via Bergamo, 18
20006 Pregnana M.se (MI)
ITALIA

tel. +39 02 935 181
fax +39 02 935 90 254
fax +39 02 935 90 496

www.artemide.com

VAT IT00846890150

cod. Y513000591B