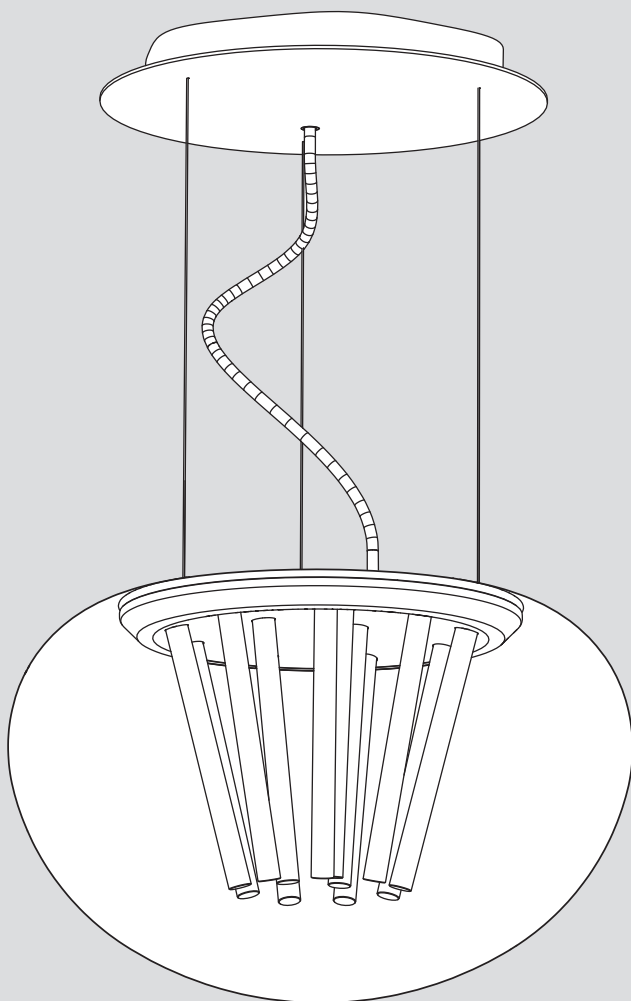


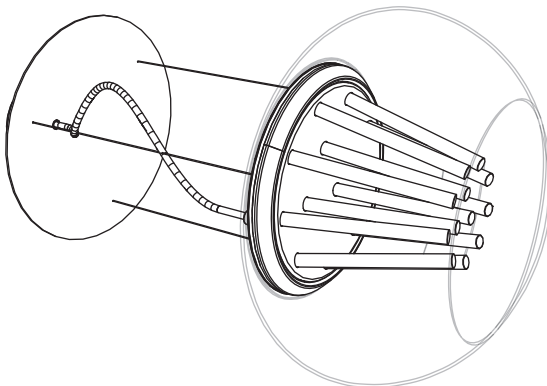
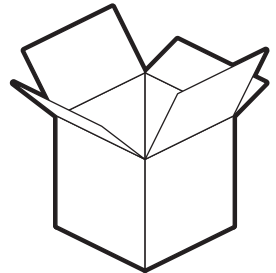
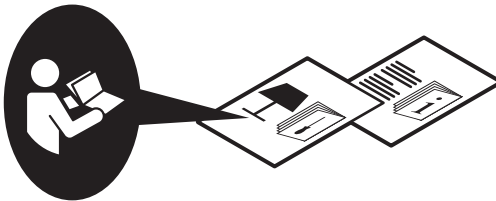
Spectral light

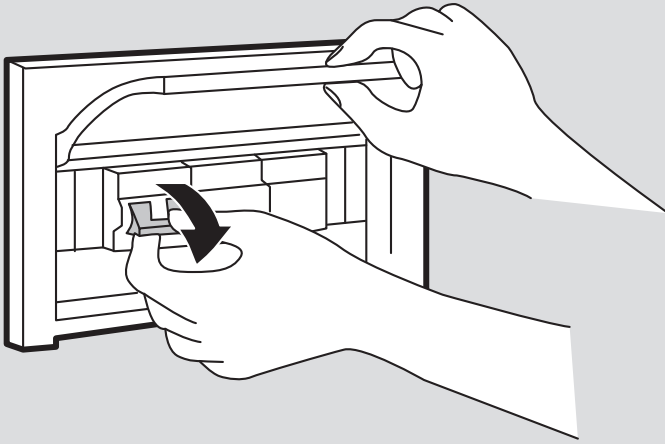
design
Philippe Rahm

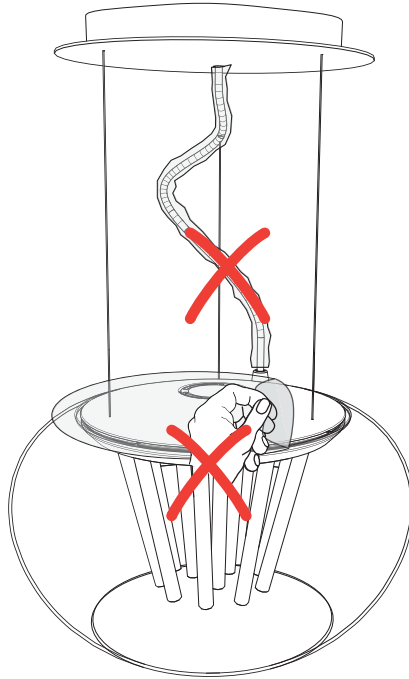




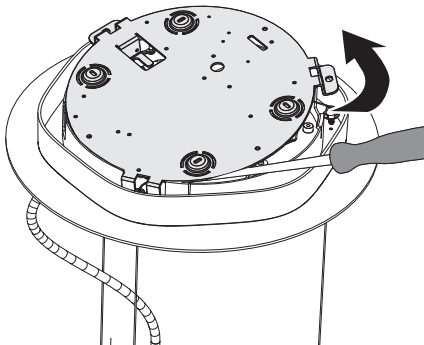
i



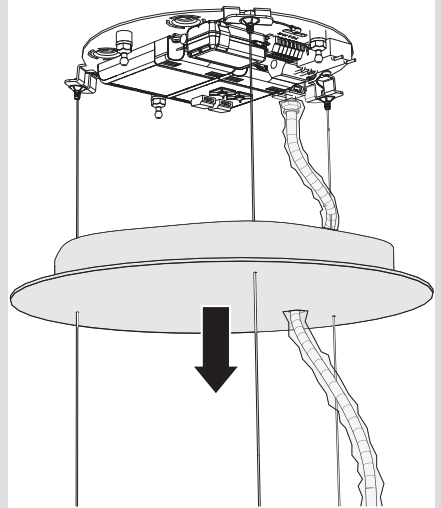


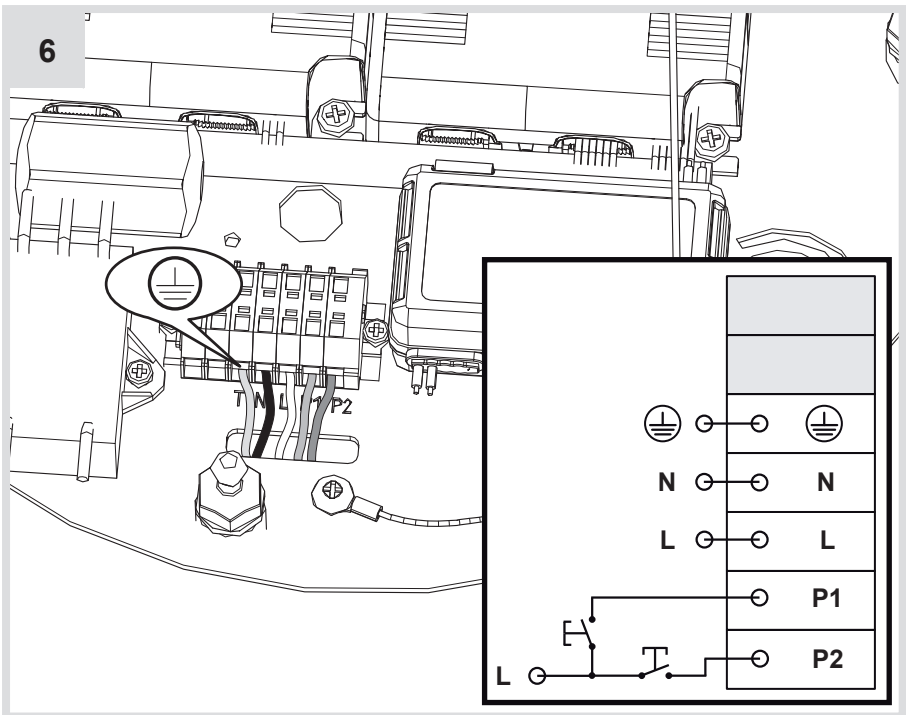
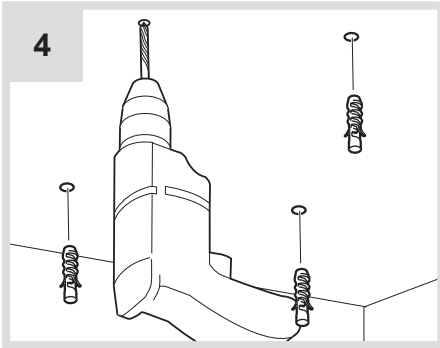
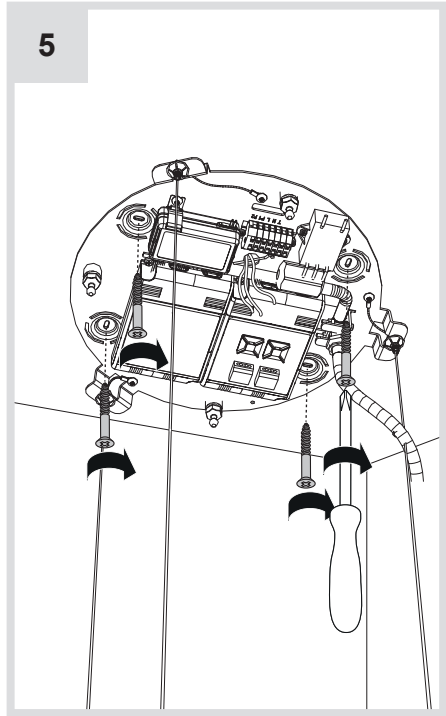
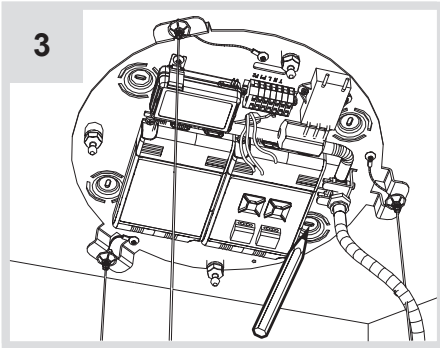


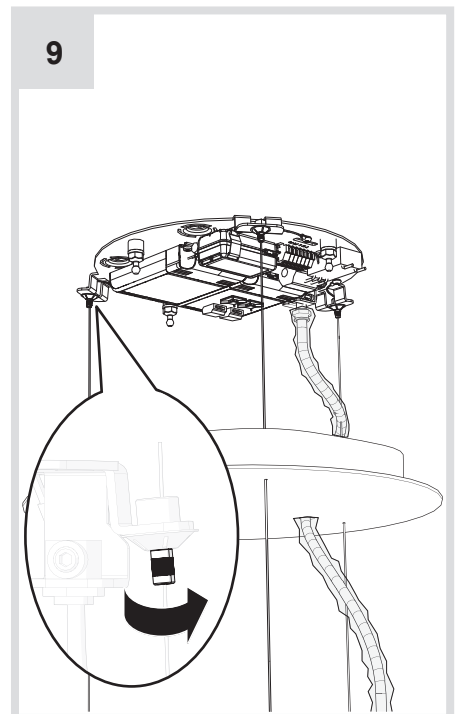
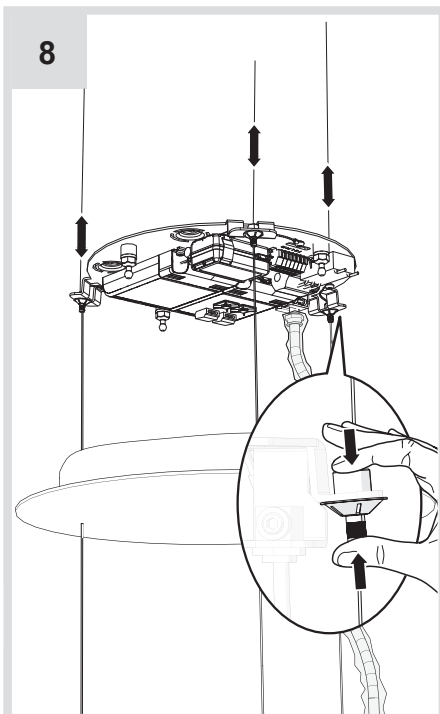
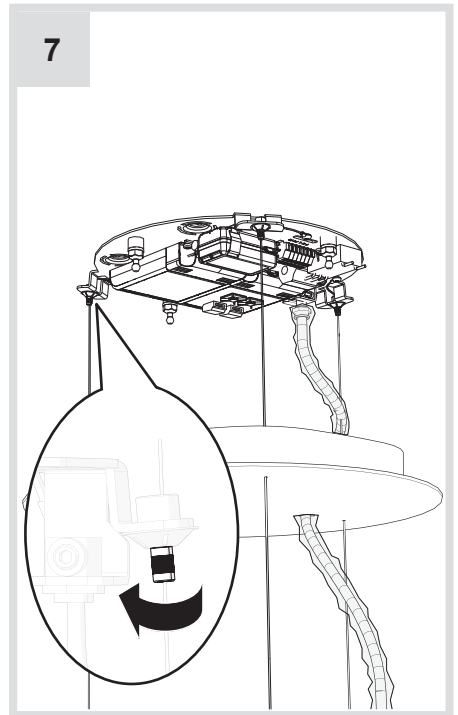
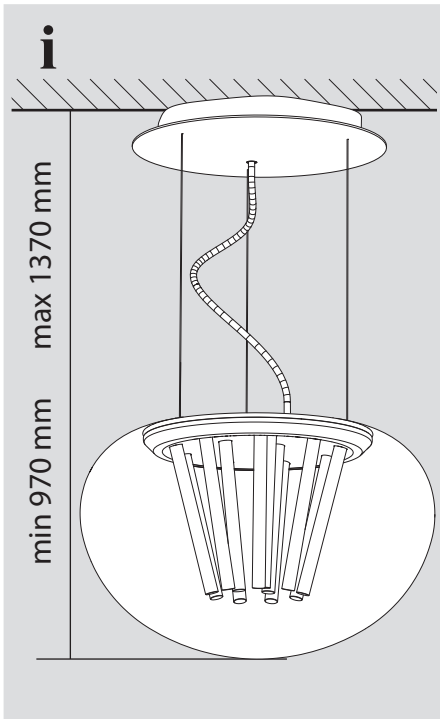
1



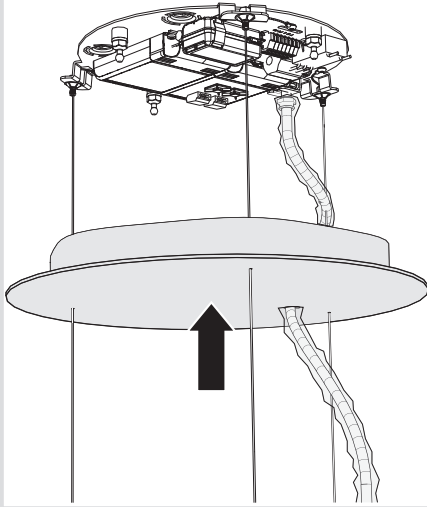
2



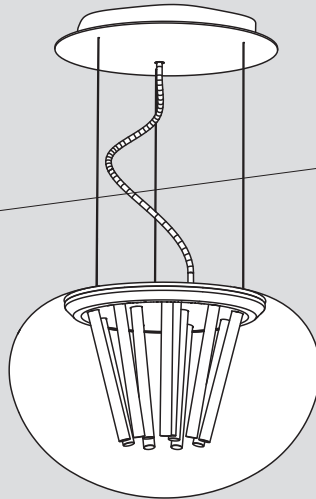
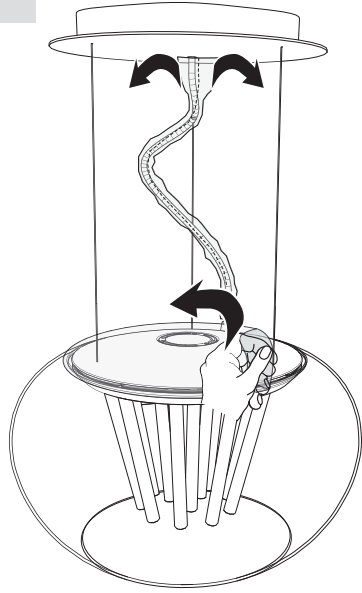




10

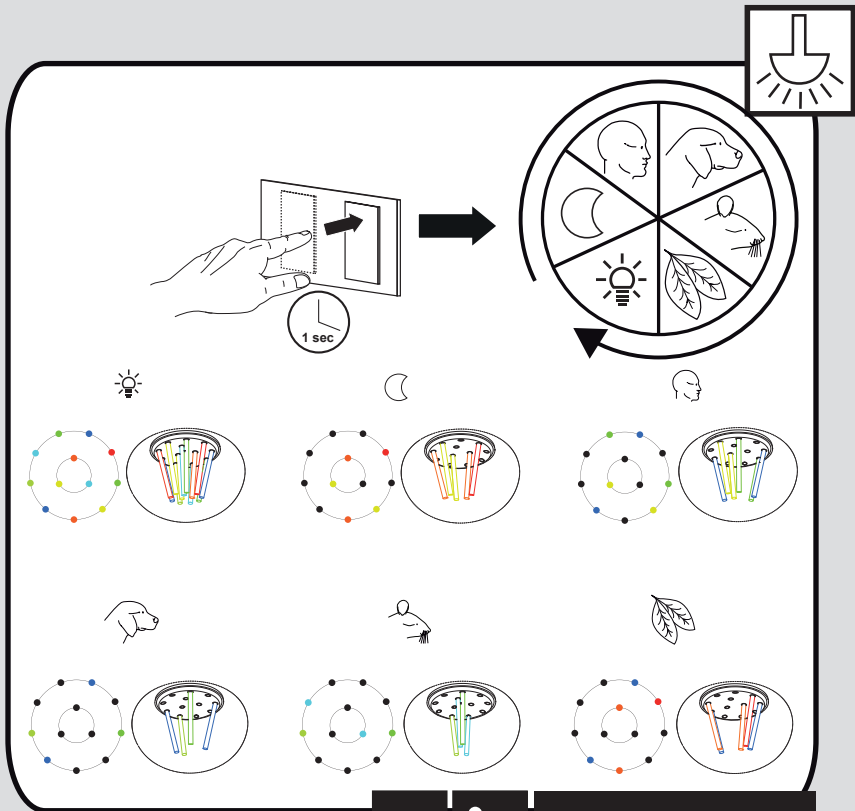
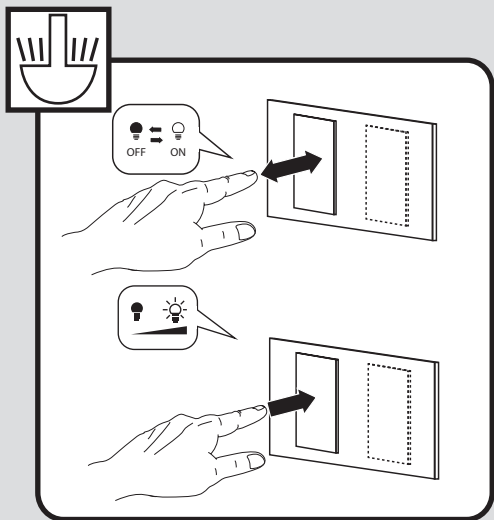


11





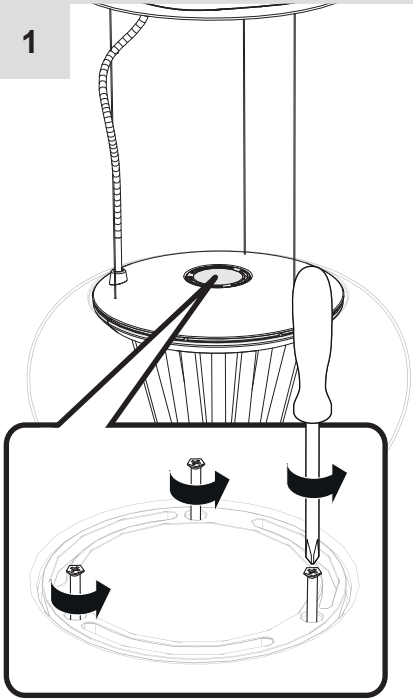
i



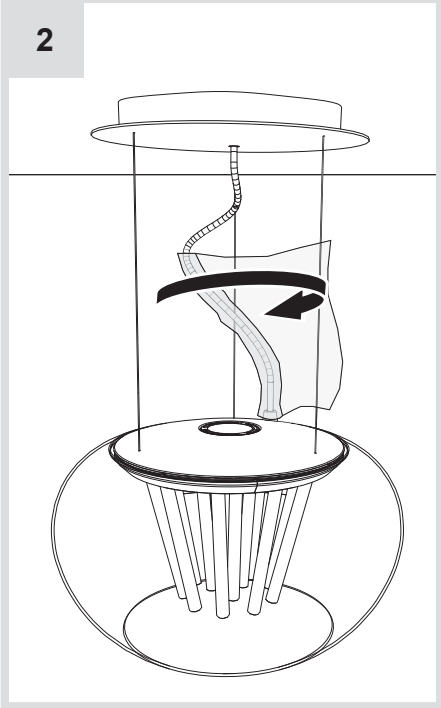
Y503003078



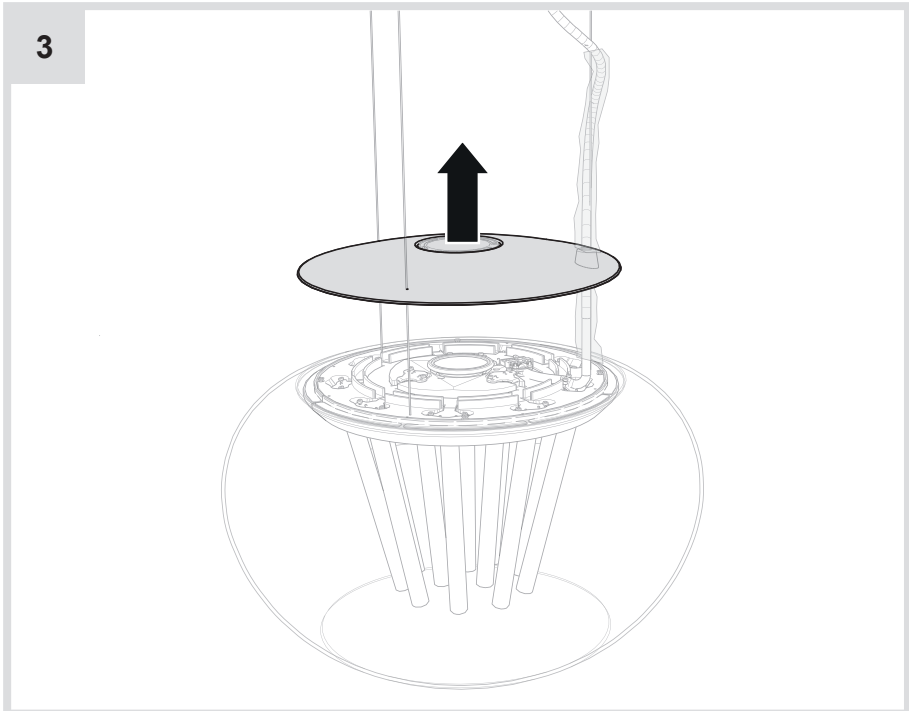
1

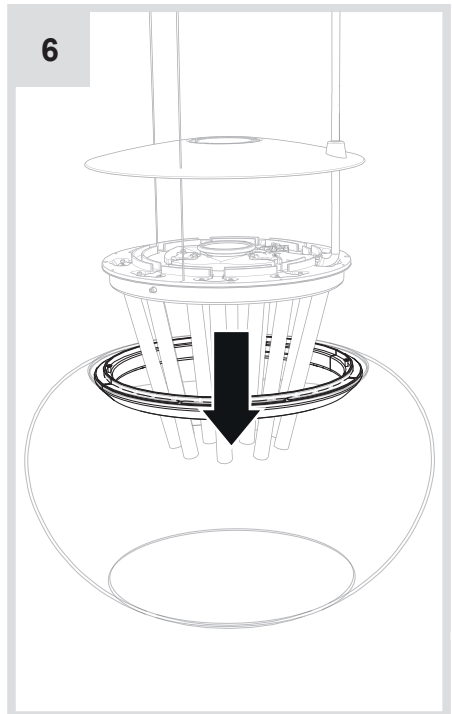
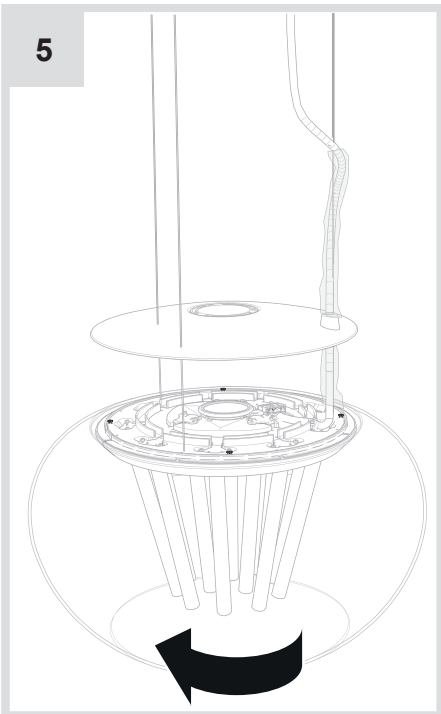
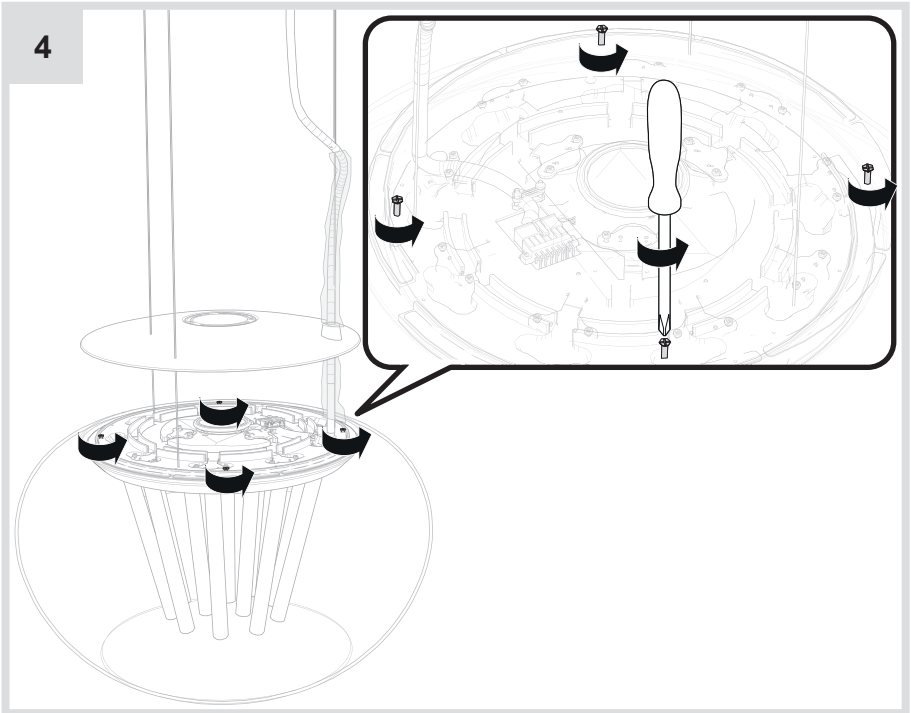


2

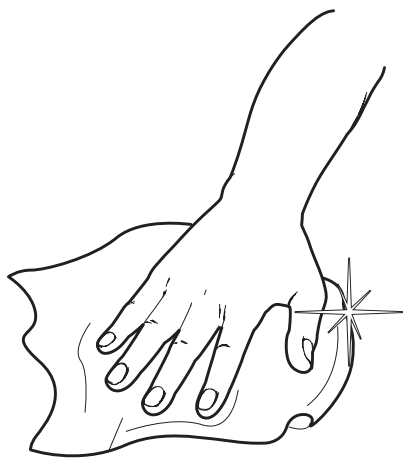


3

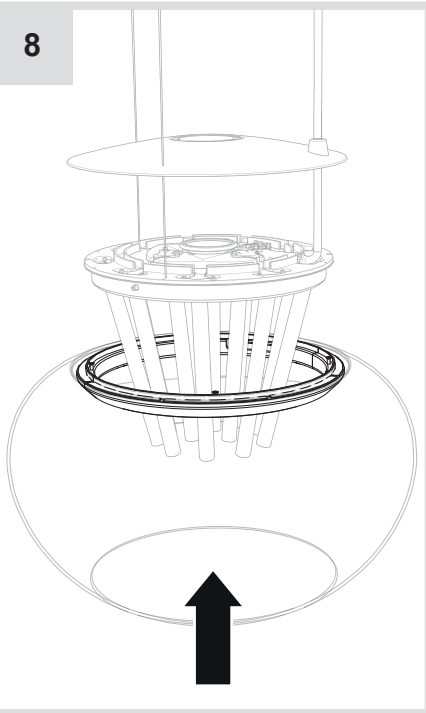




7



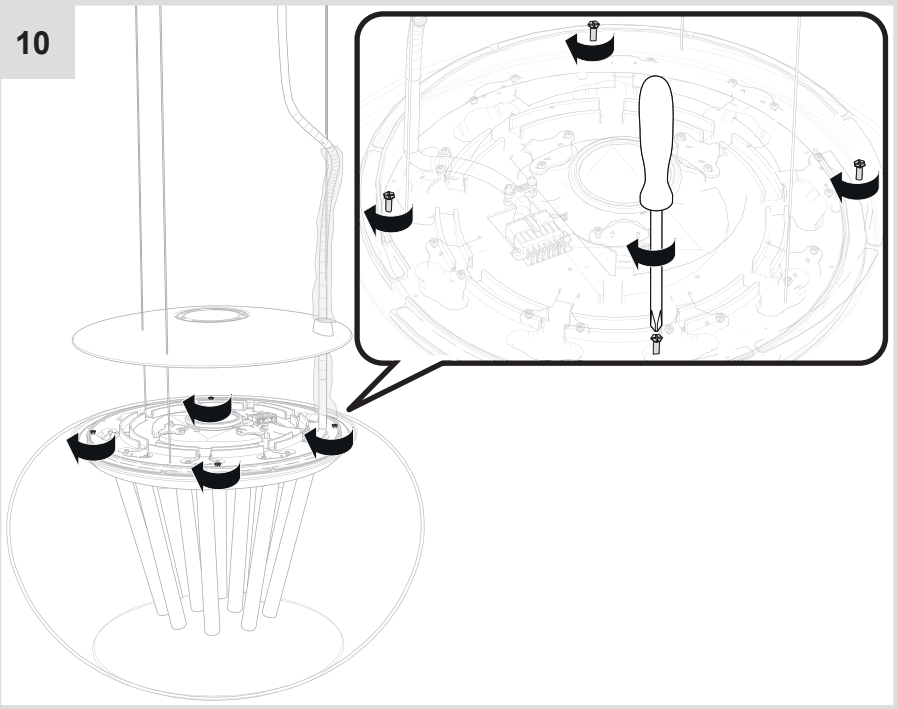
8



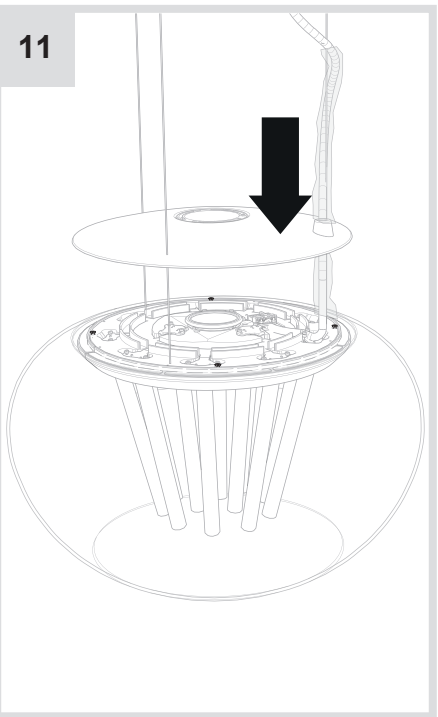
9



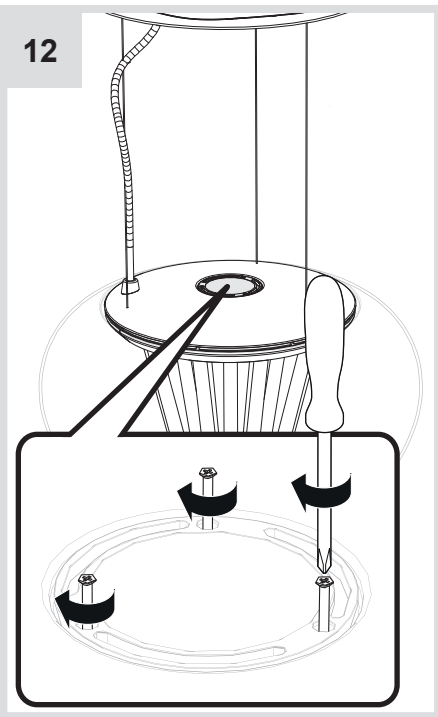
10

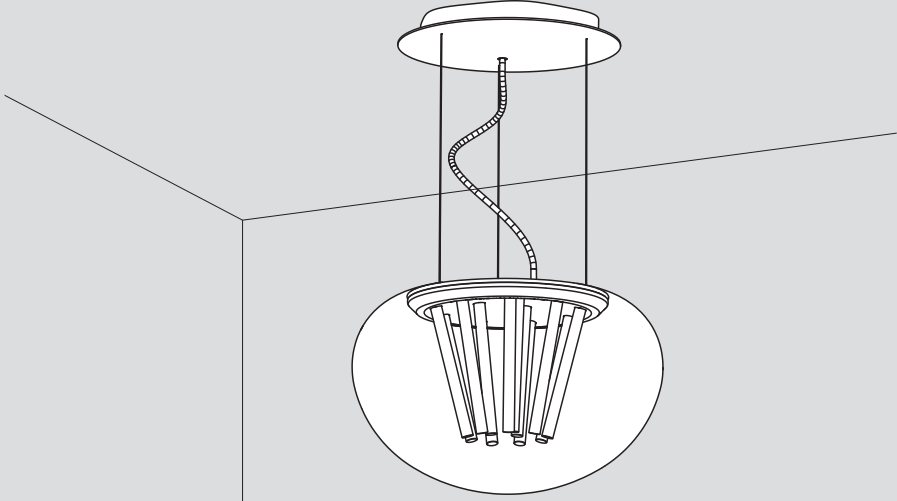


11



12





Artemide®



Artemide

via Bergamo, 18
20010 Pregnana M.se (MI)
ITALIA

tel. +39 02 935 181
fax +39 02 935 90 254
fax +39 02 935 90 496

www.artemide.com

VAT IT00846890150

cod. Y513000810