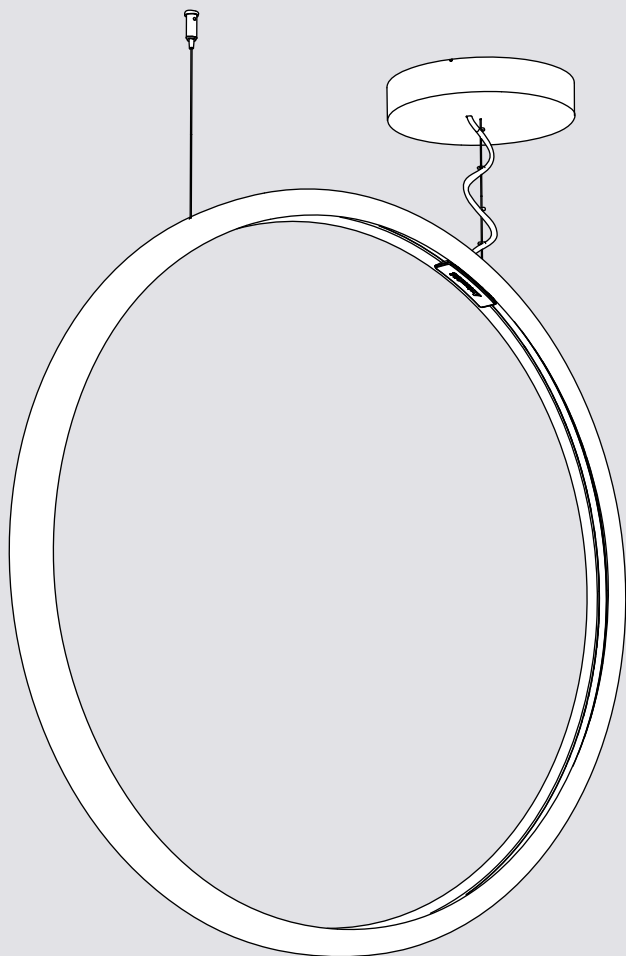


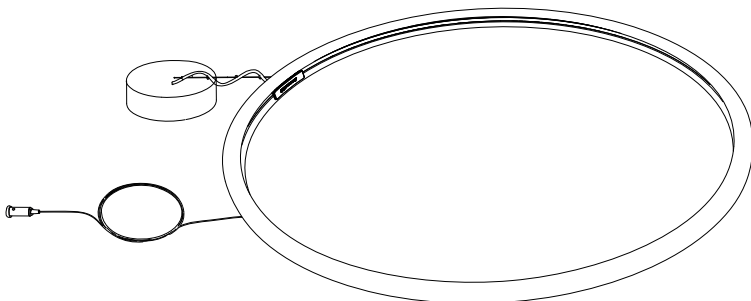
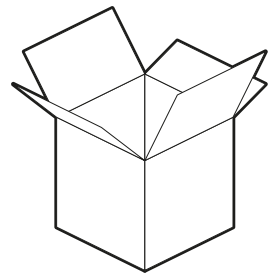
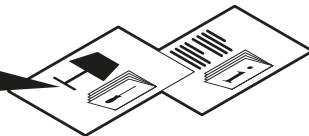
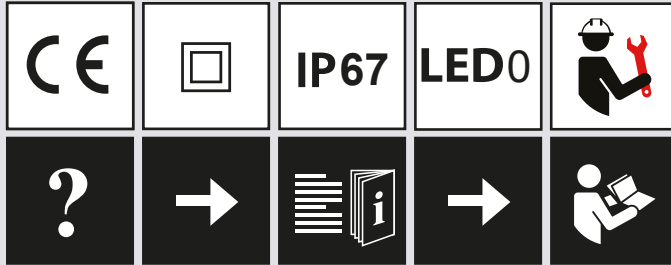
“O” Suspension

design
Elemental

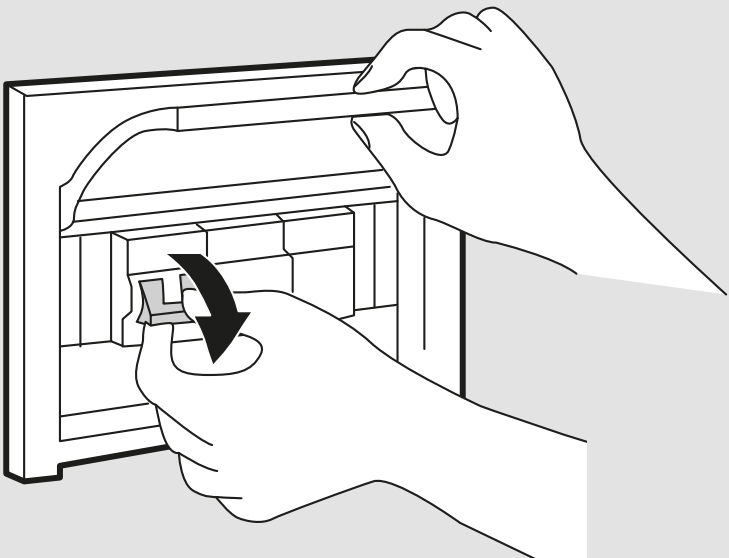
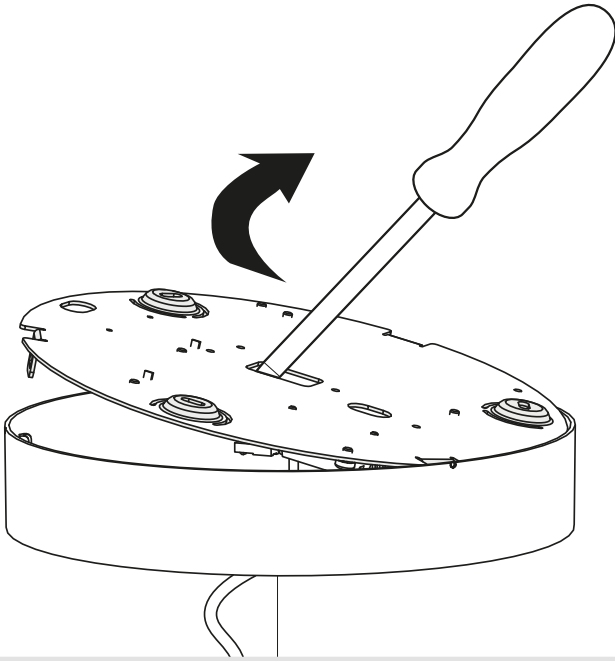




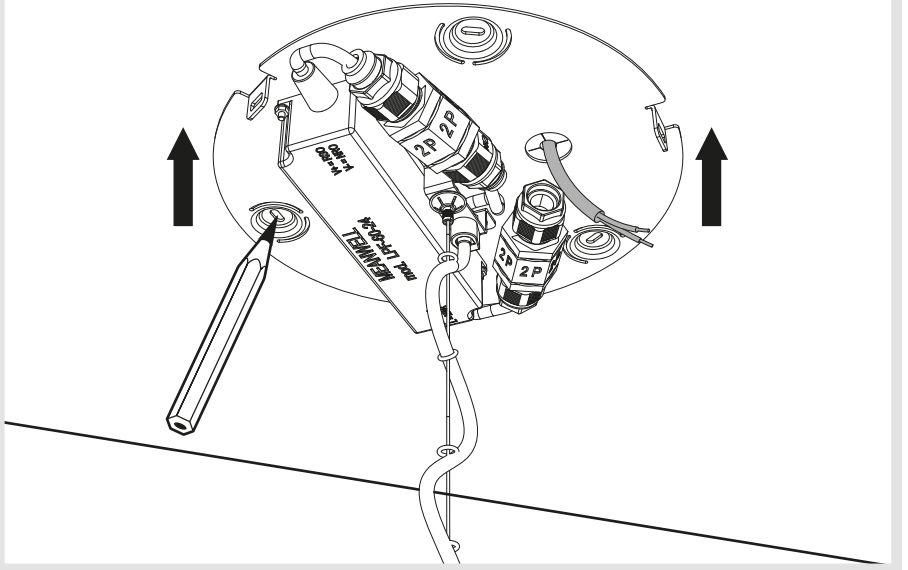
i



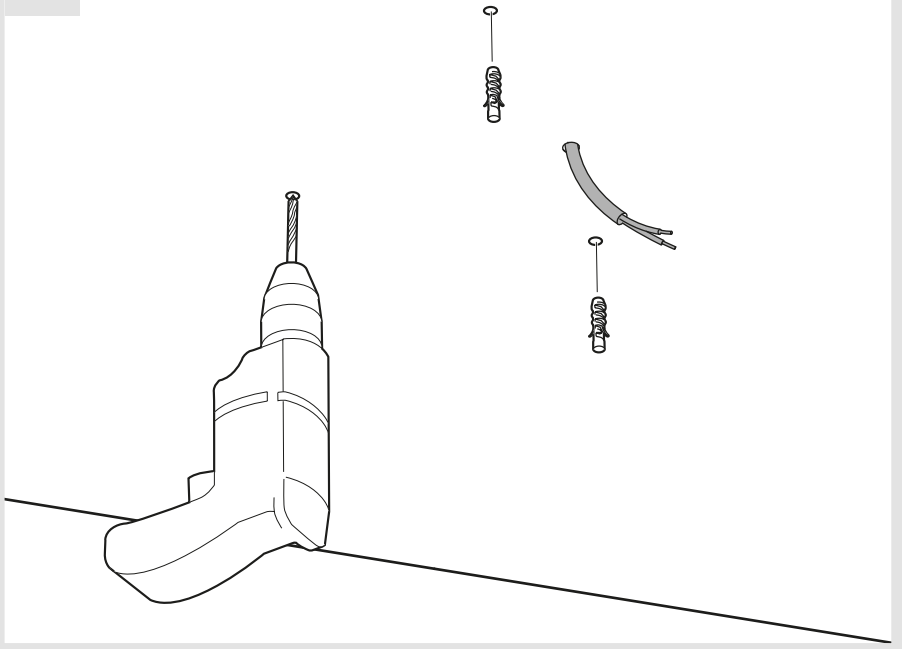
1



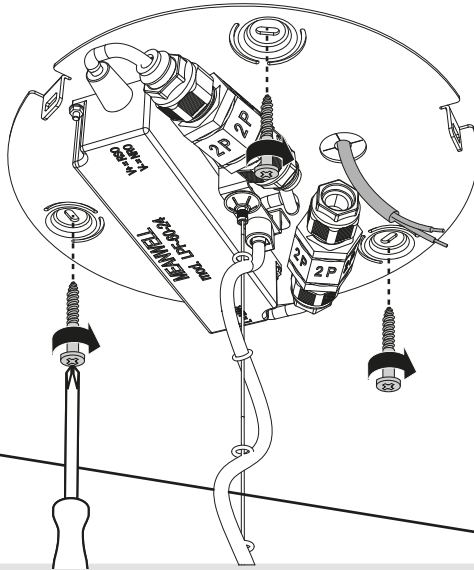
2



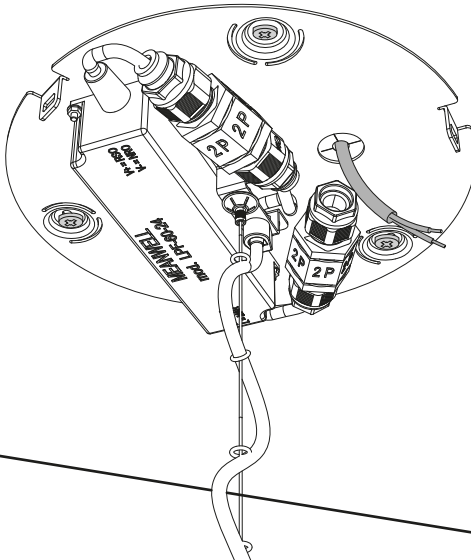
3



3

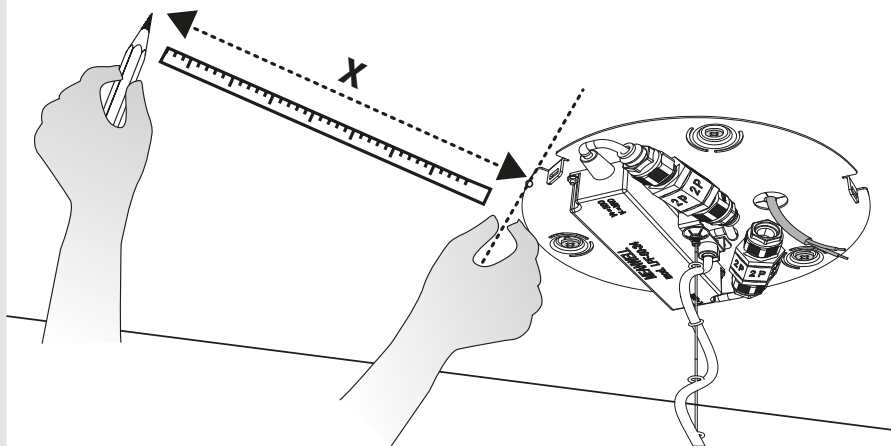


4

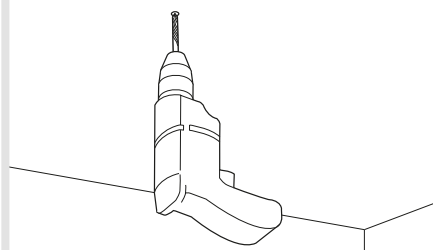


5

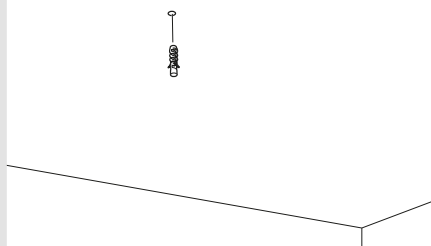
T072030	X = 335 mm
T072230	X = 630 mm



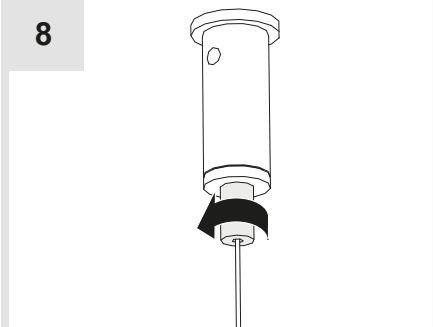
6



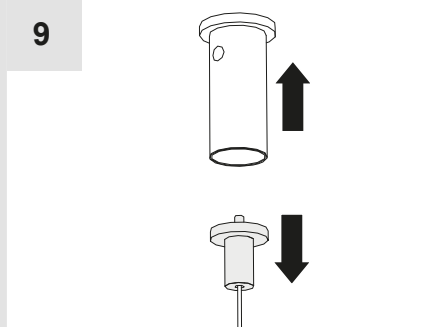
7



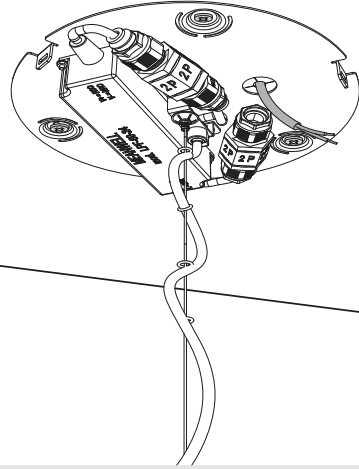
8



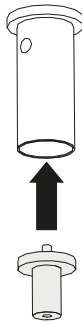
9



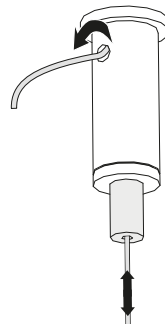
10



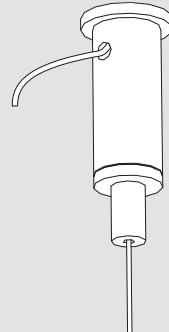
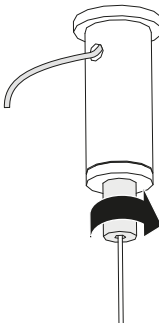
11



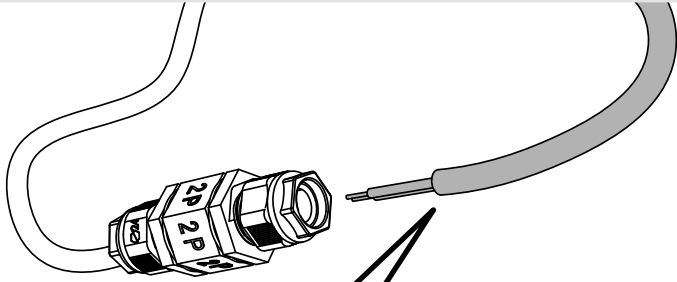
12



13

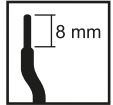
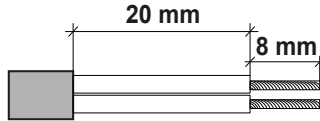


14

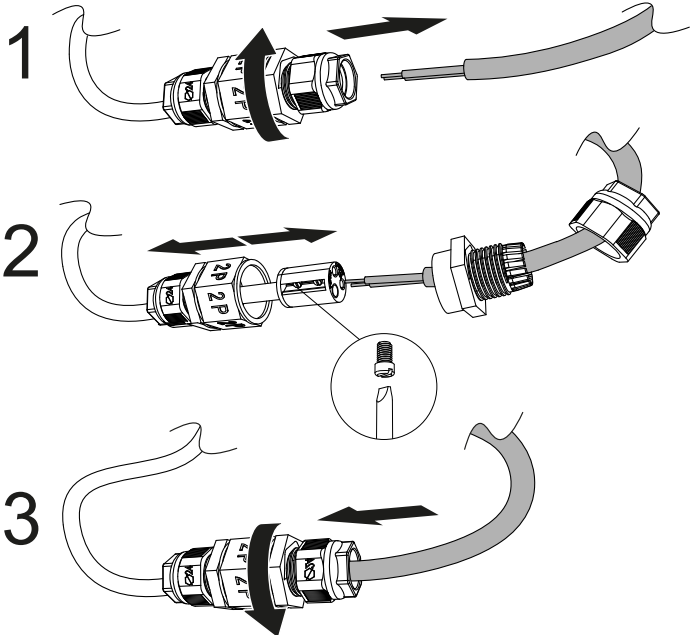


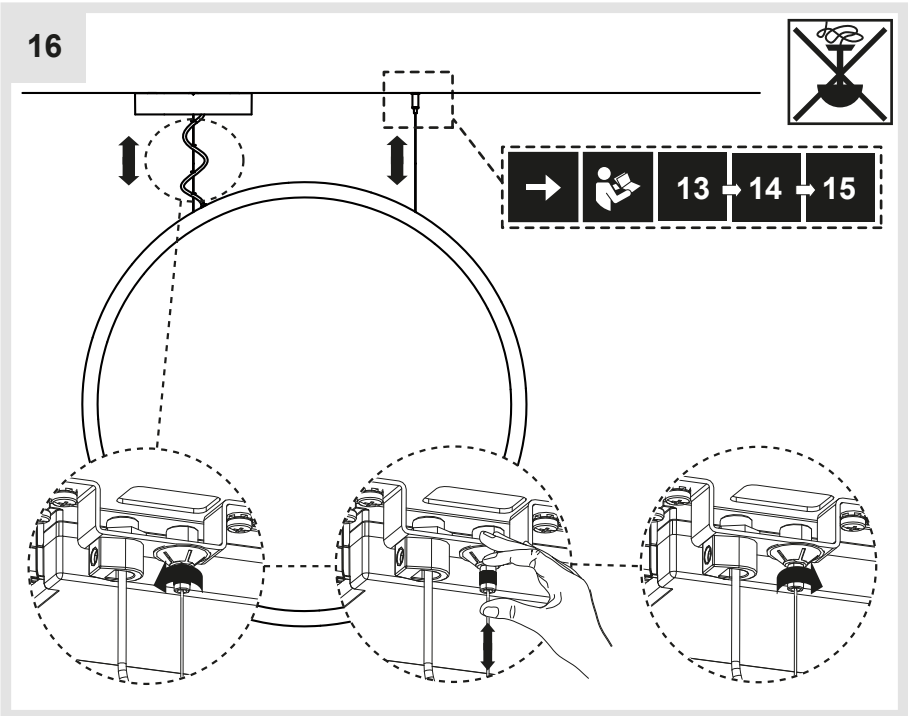
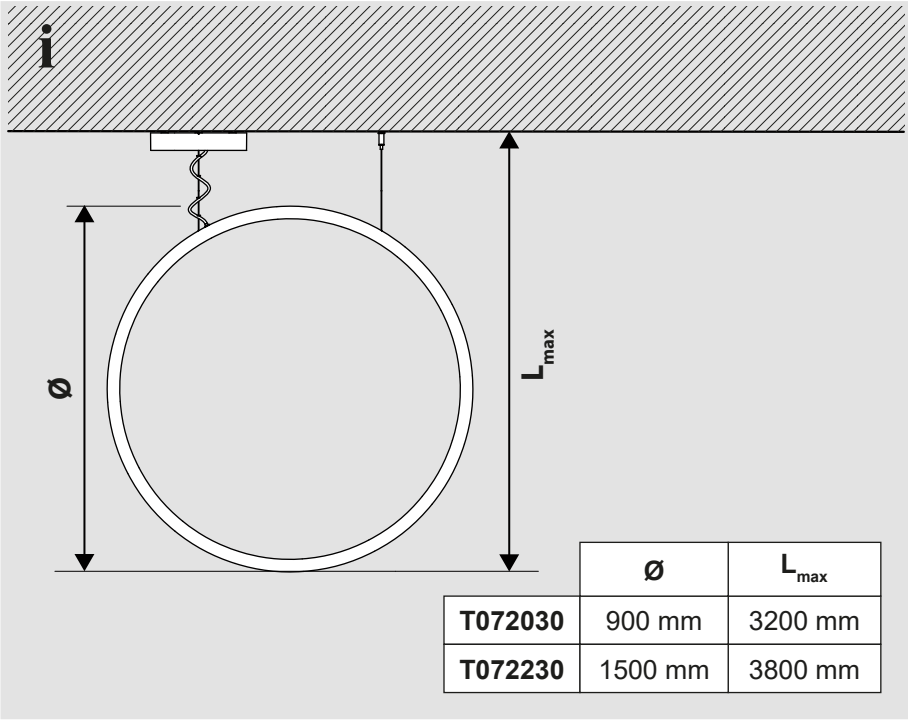
H05RN-F
H07RN-F

Ø 7 - 13.5 mm

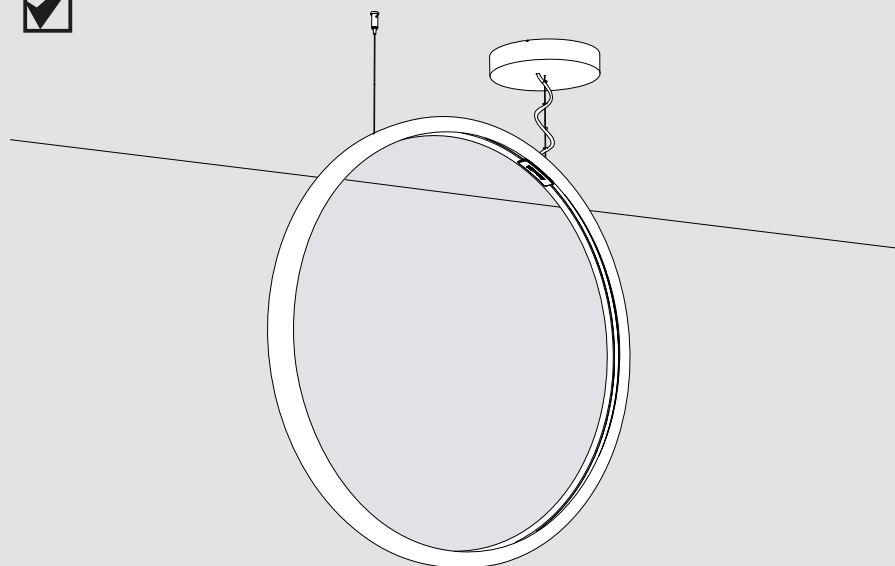
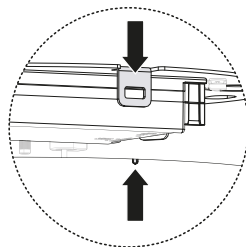
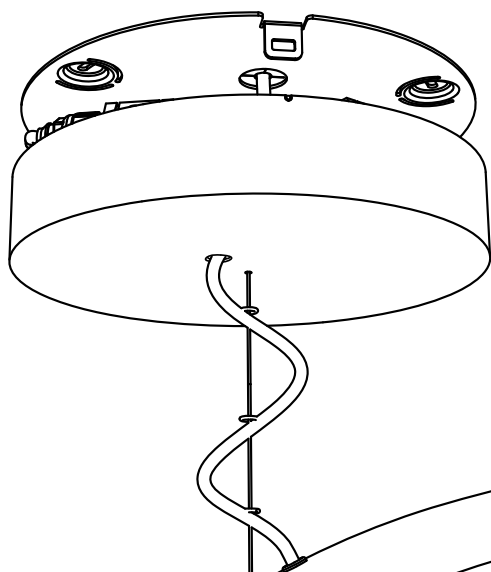


15

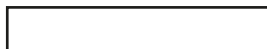




17



Artemide[®]
ARCHITECTURAL



Artemide

via Bergamo, 18
20010 Pregnana M.se (MI)
ITALIA

tel. +39 02 935 181
fax +39 02 935 90 254
fax +39 02 935 90 496

www.artemide.com

VAT IT00846890150

cod. Y513001009B