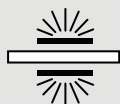
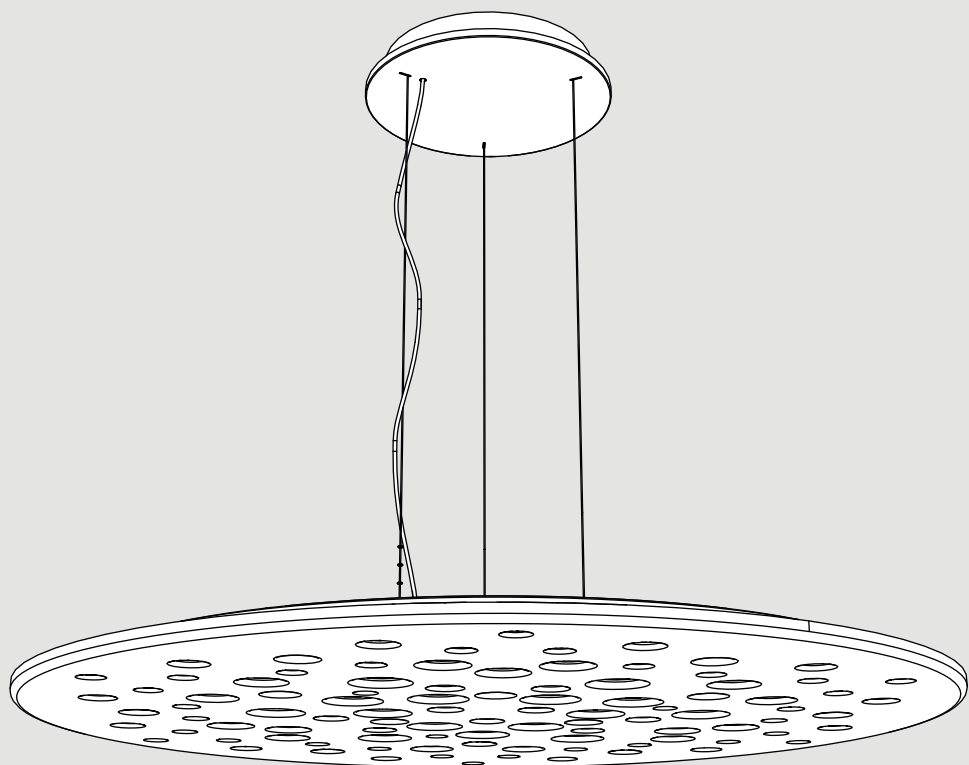


Artemide®

Silent Field 2.0

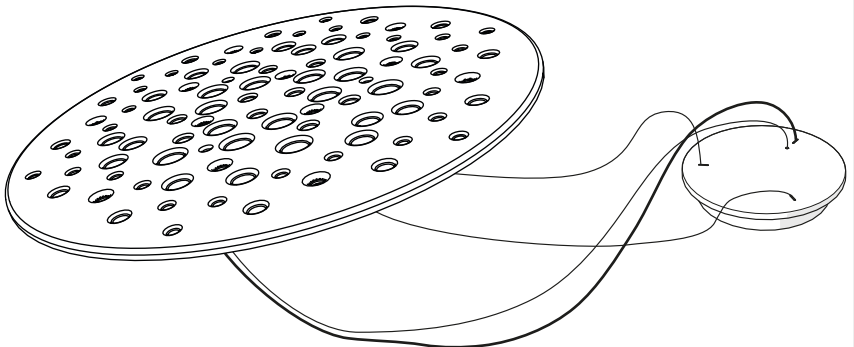
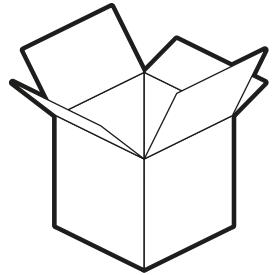
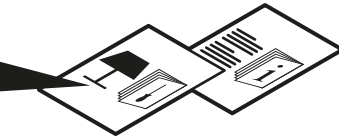
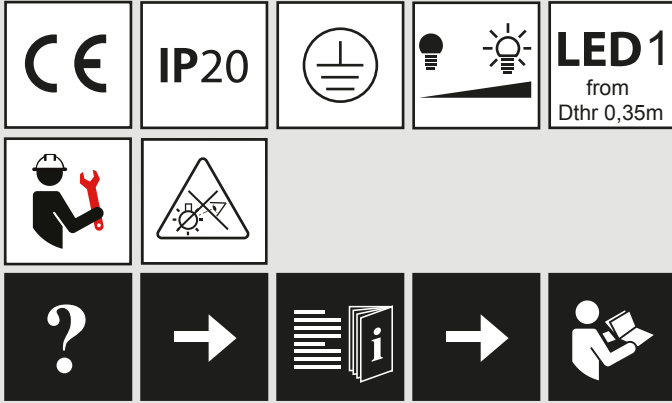
design

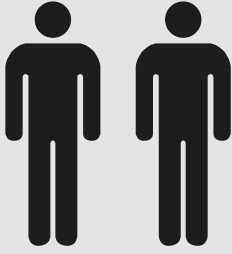
C. de Bevilacqua - L. Pessoni



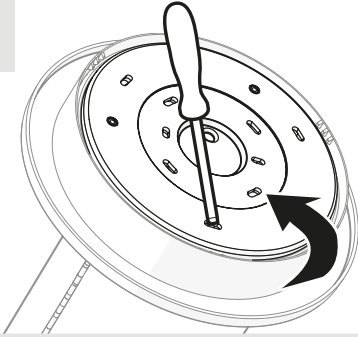


i

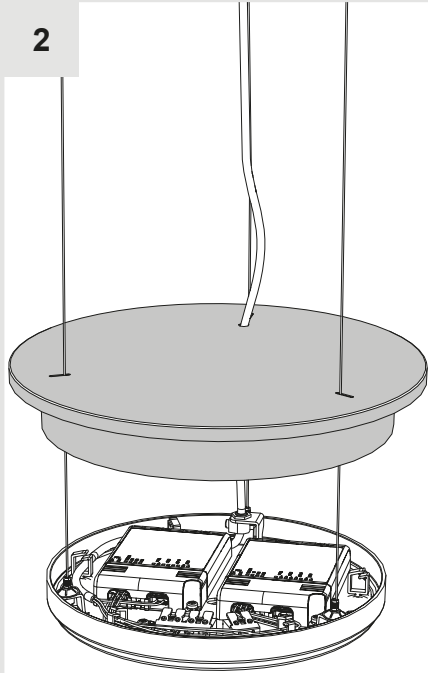




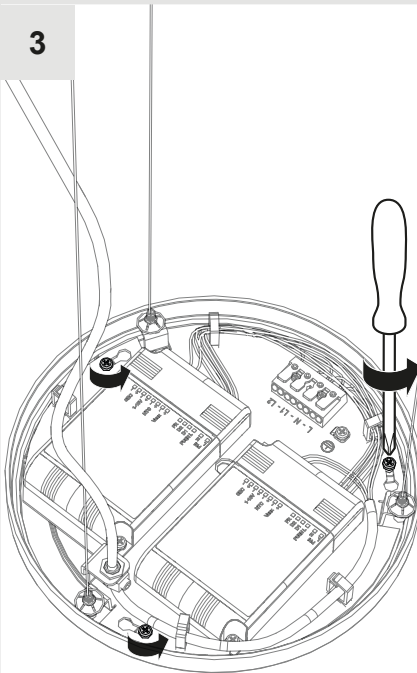
1



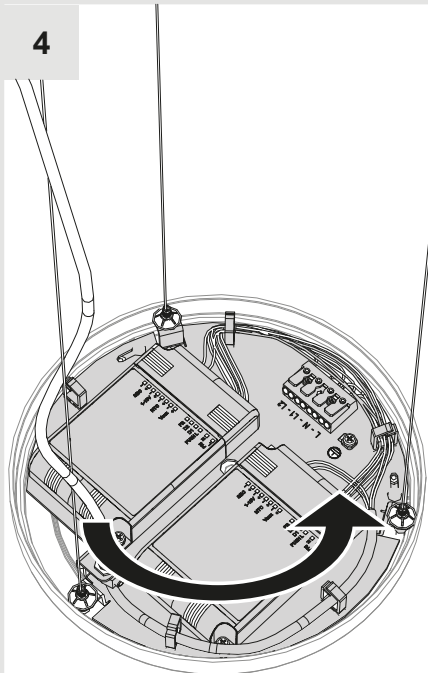
2

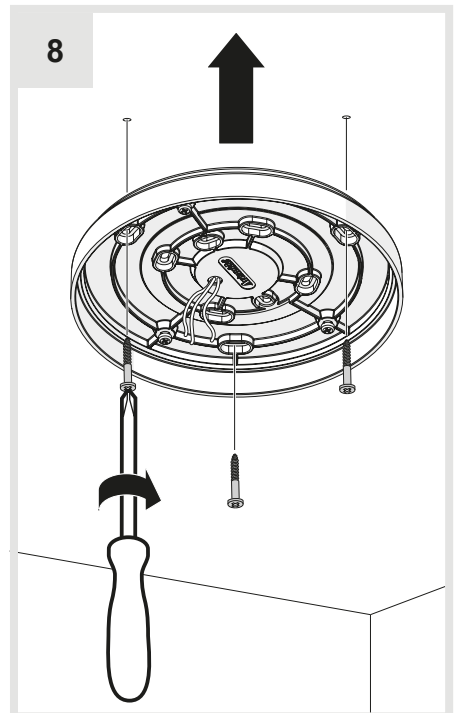
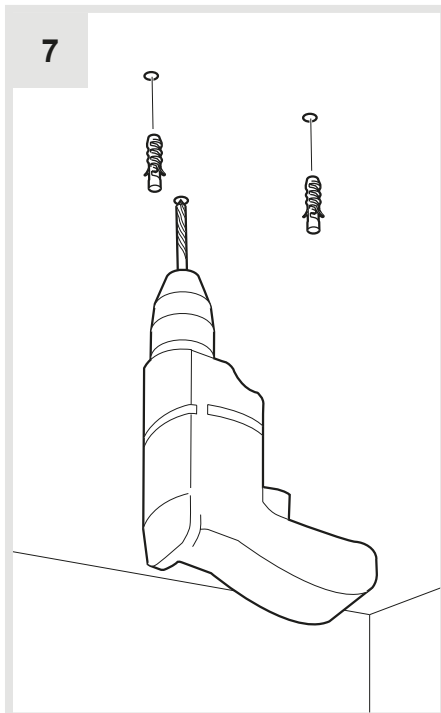
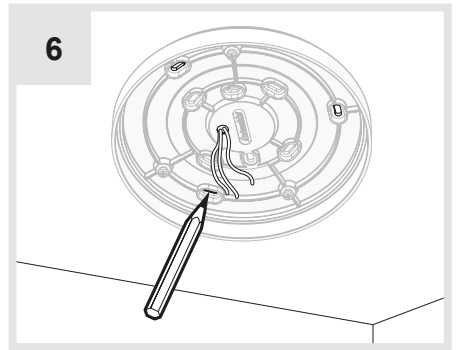
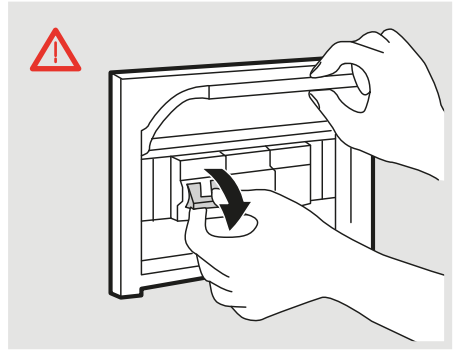
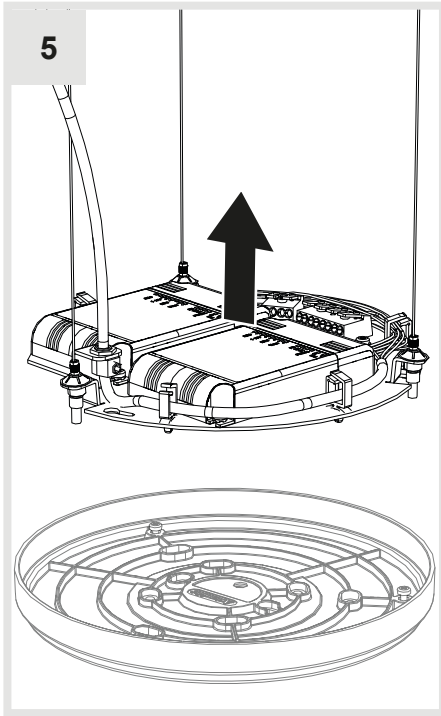


3

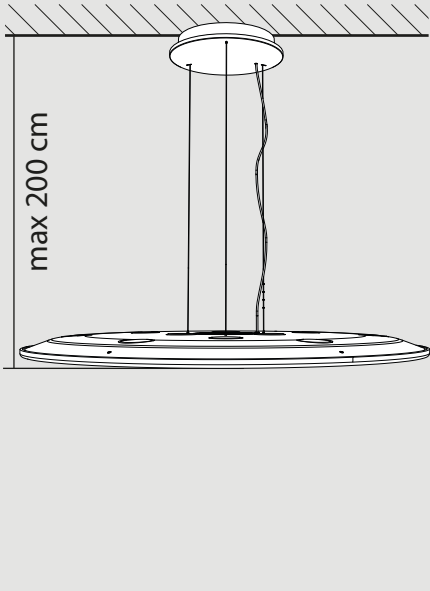


4

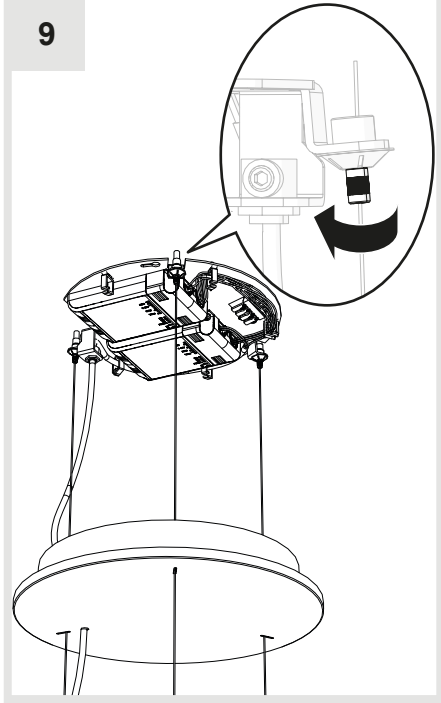




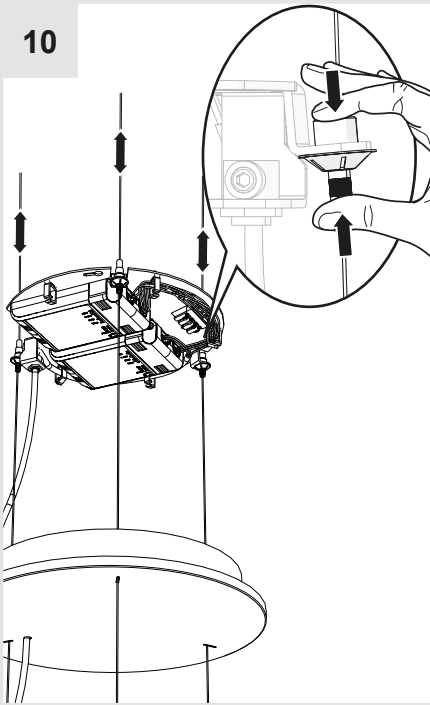
i



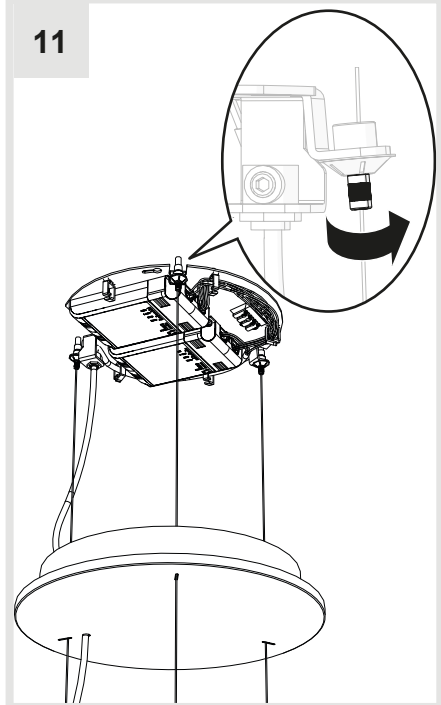
9



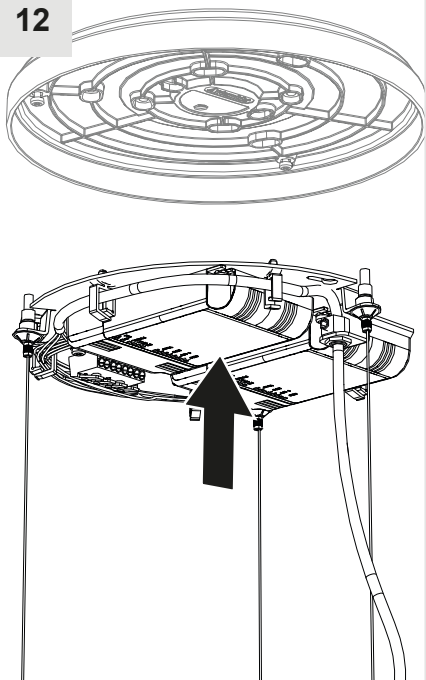
10



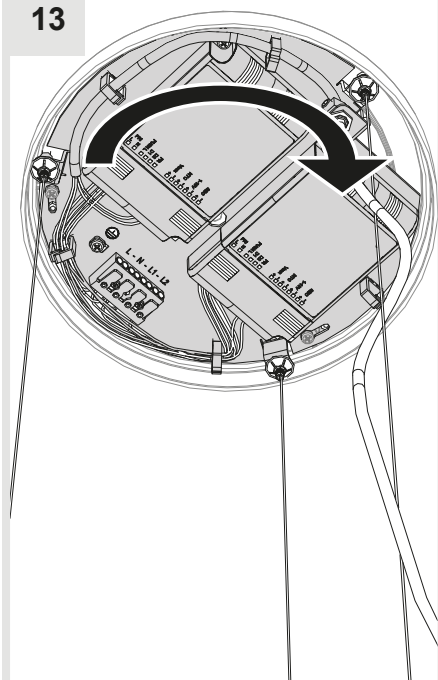
11



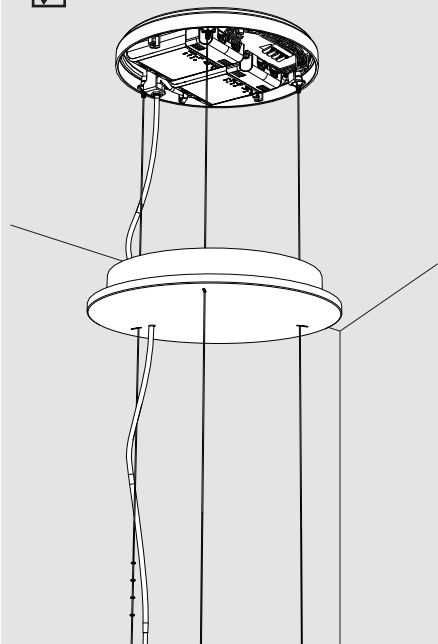
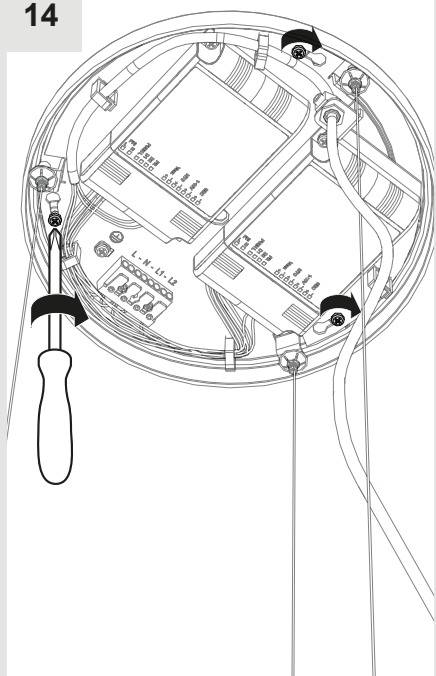
12



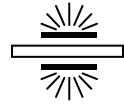
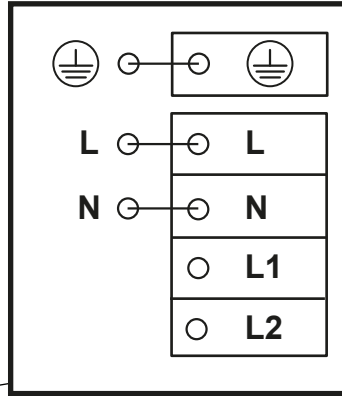
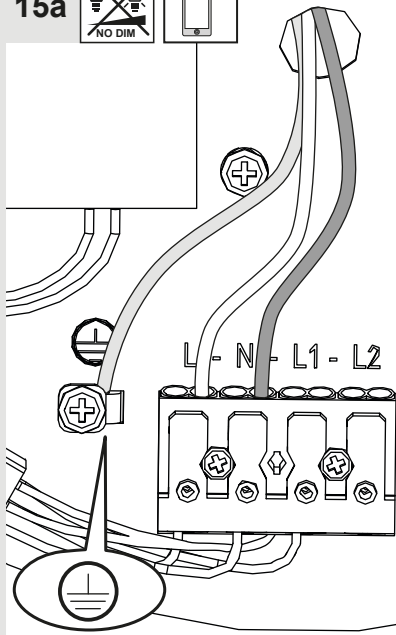
13



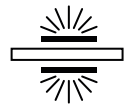
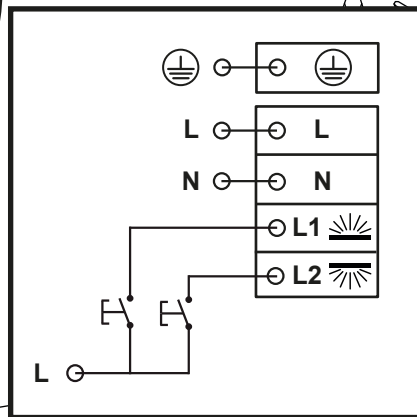
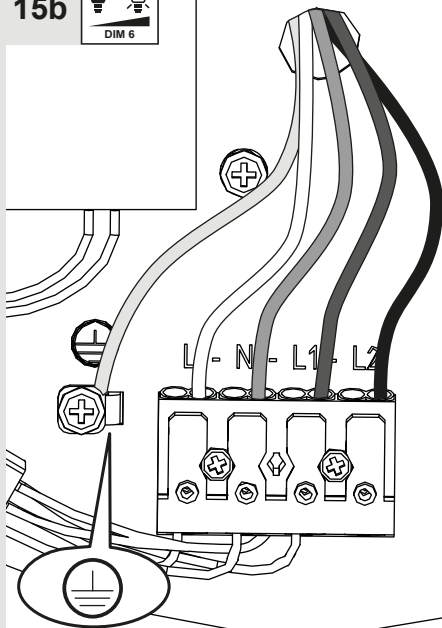
14



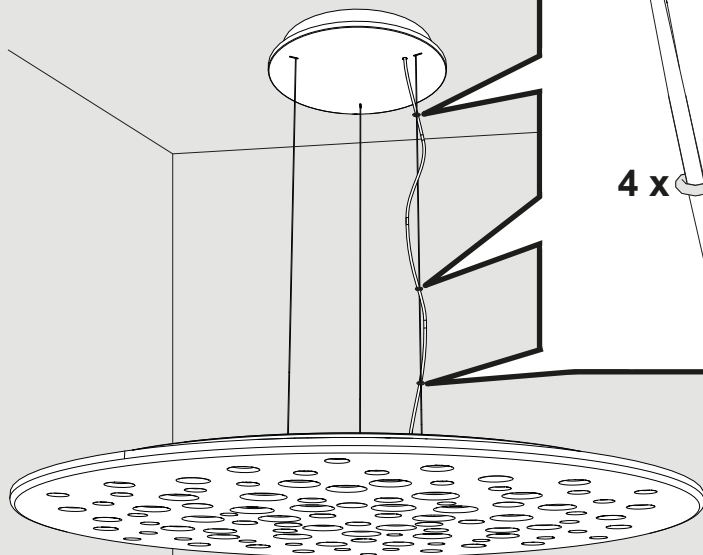
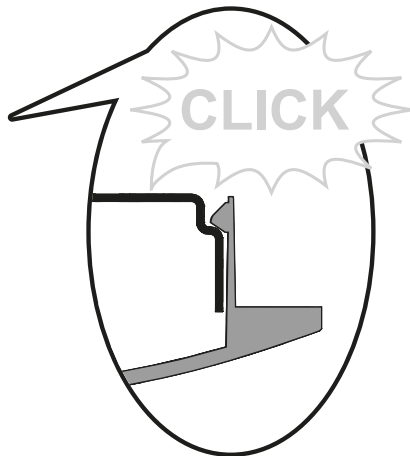
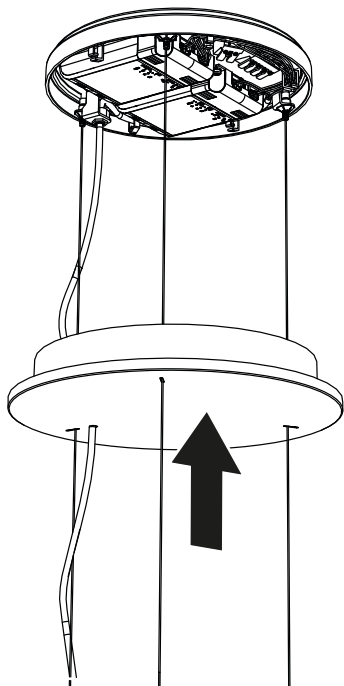
15a

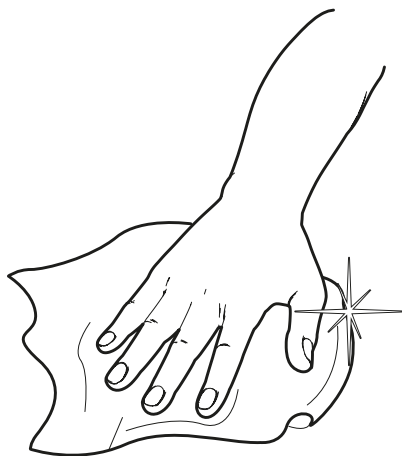
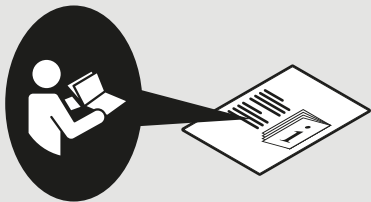


15b



16





Artemide®



Artemide

via Bergamo, 18
20010 Pregnana M.se (MI)
ITALIA

tel. +39 02 935 181
fax +39 02 935 90 254
fax +39 02 935 90 496

www.artemide.com

VAT IT00846890150

cod. Y513001038B