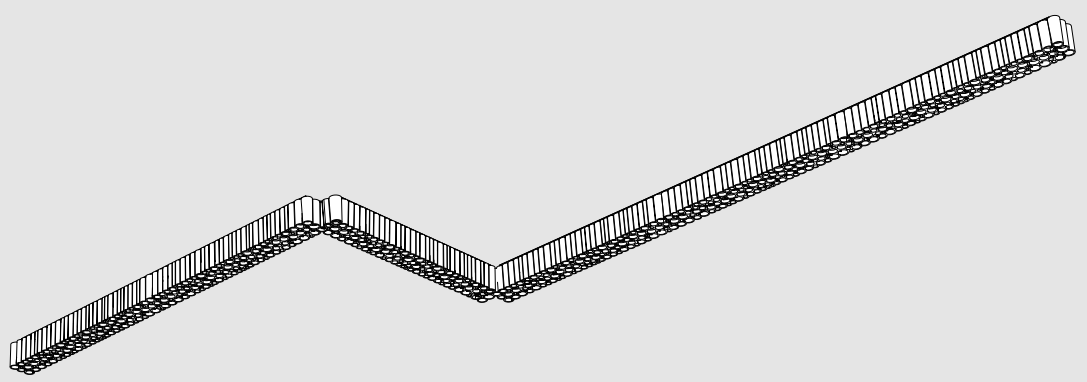


Artemide®

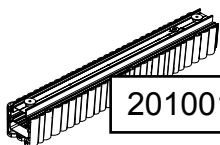
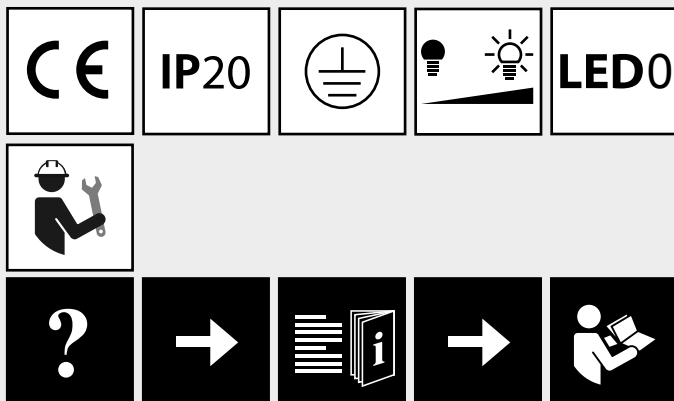
Calipso System

design
Neil Poulton

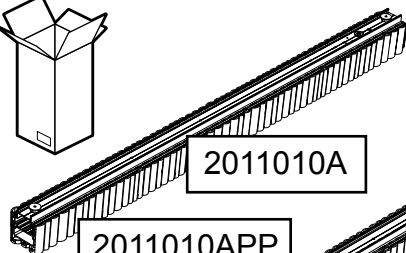
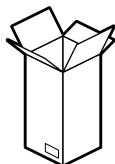
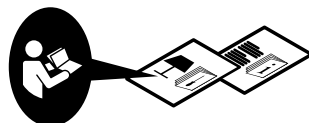




i

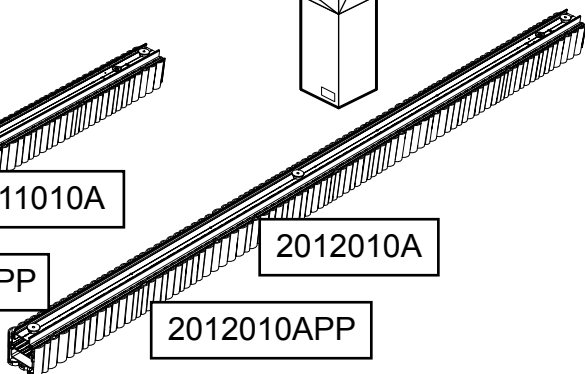


2010010A



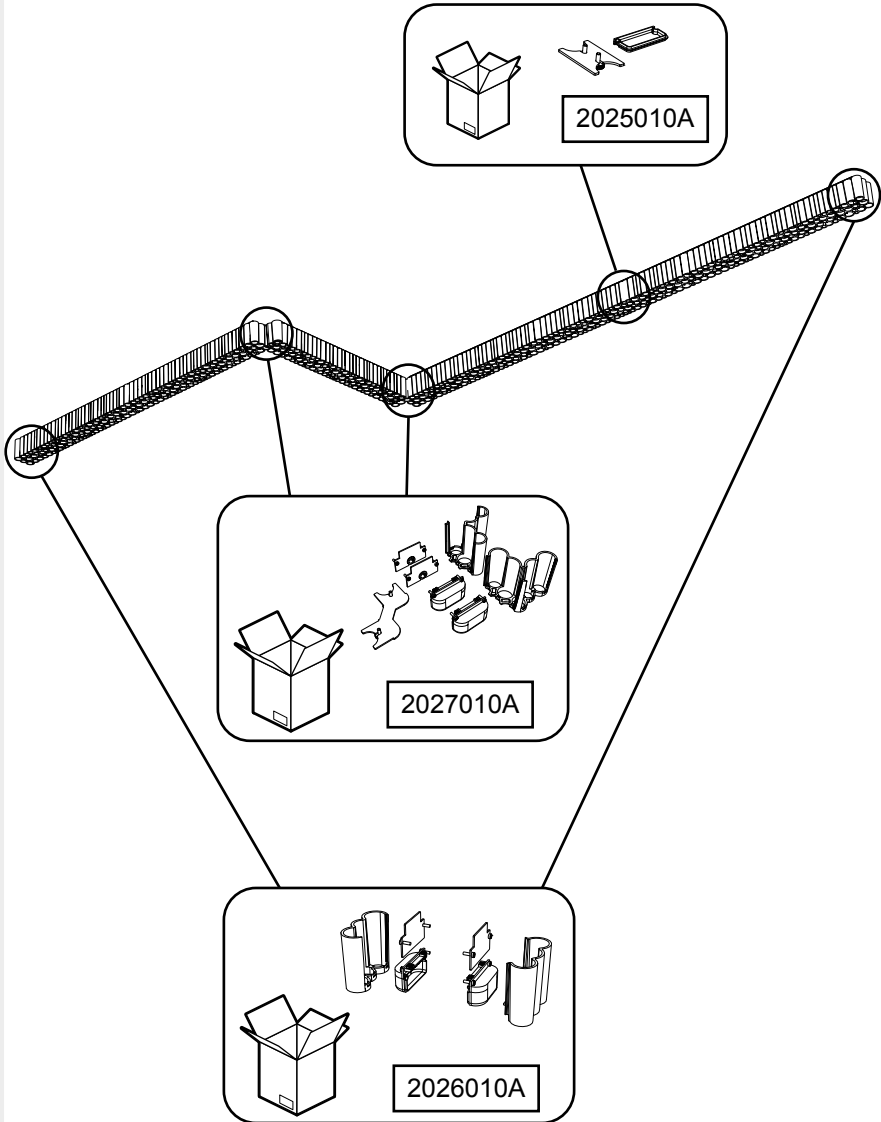
2011010A

2011010APP

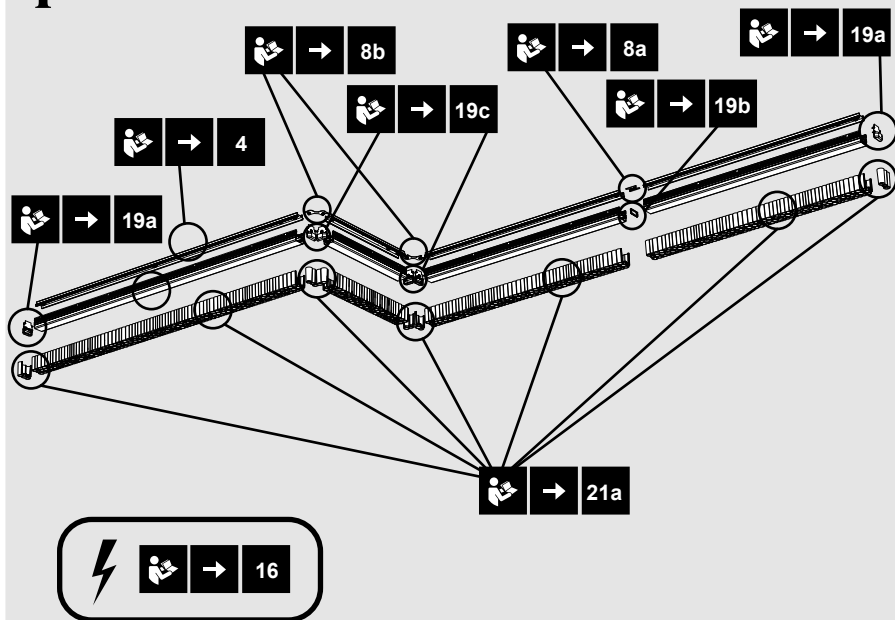


2012010A

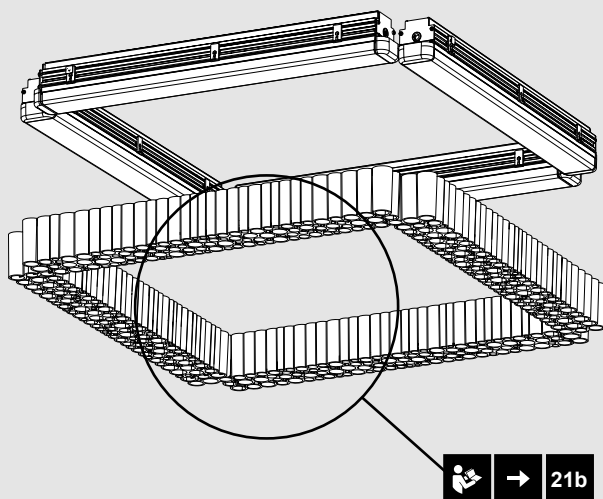
2012010APP

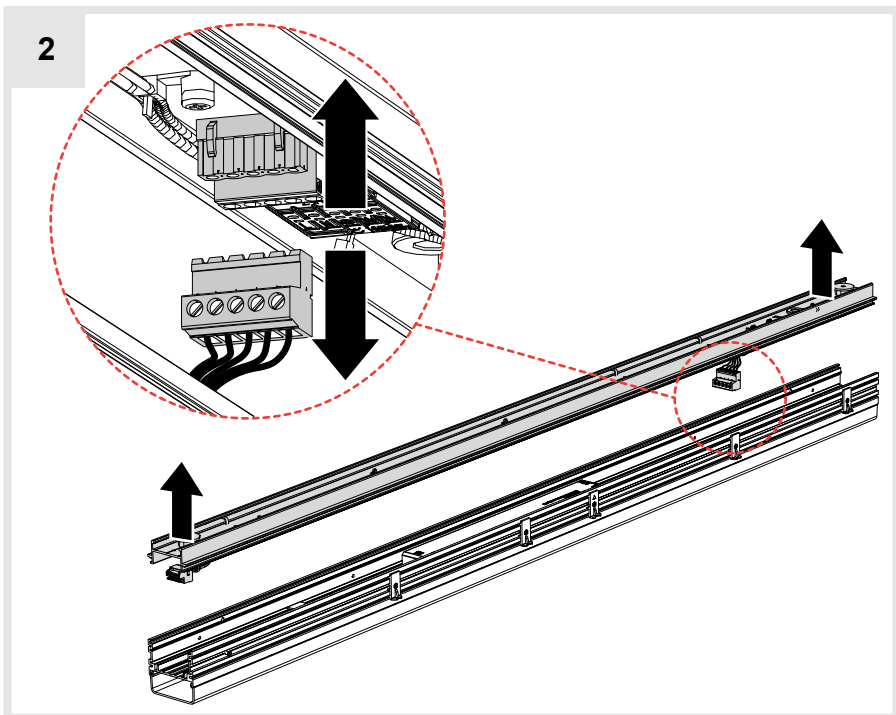
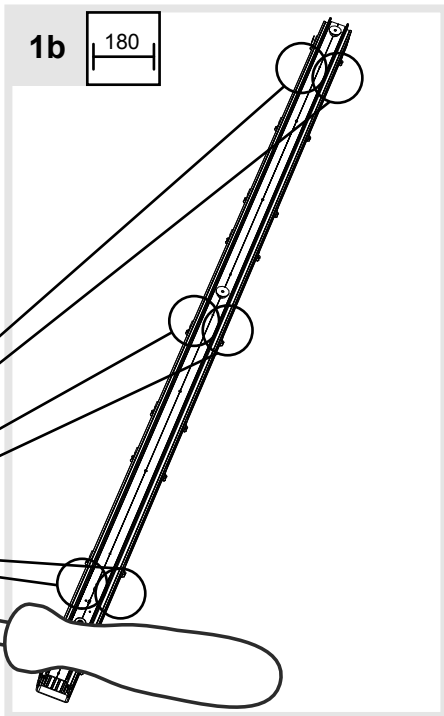
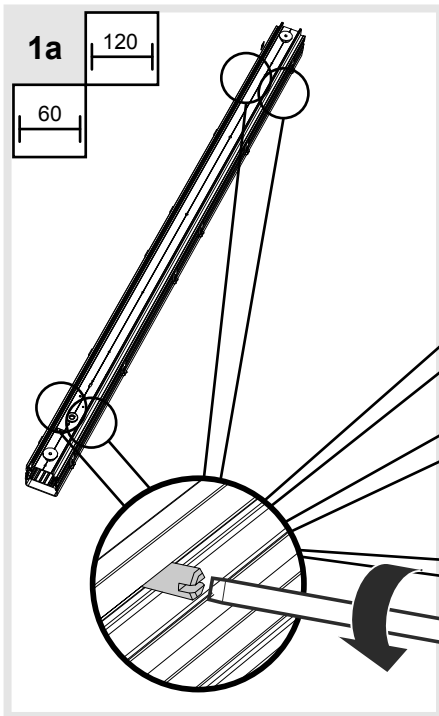


i

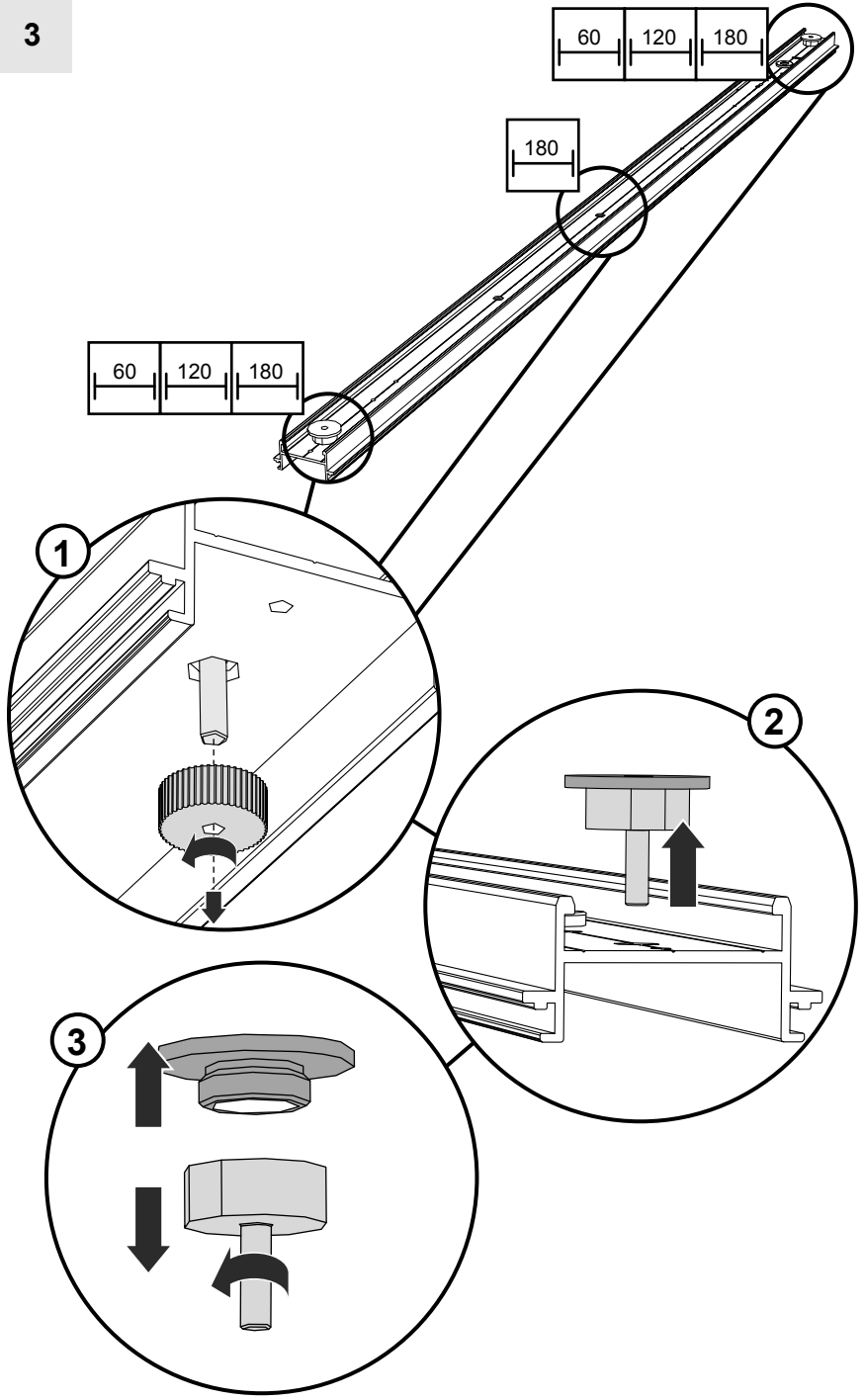


i

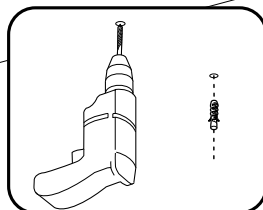
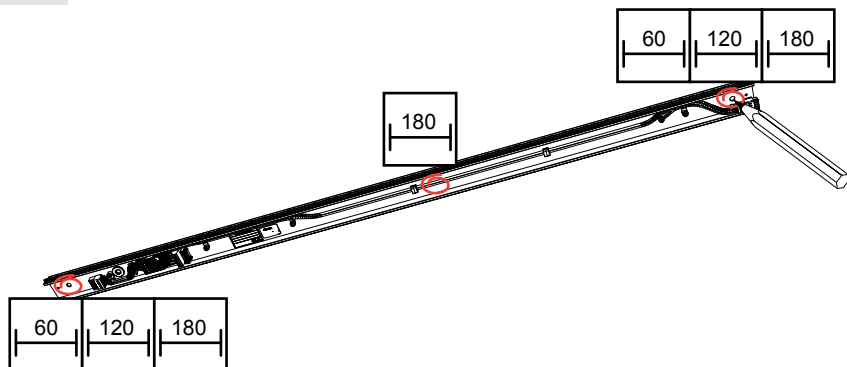




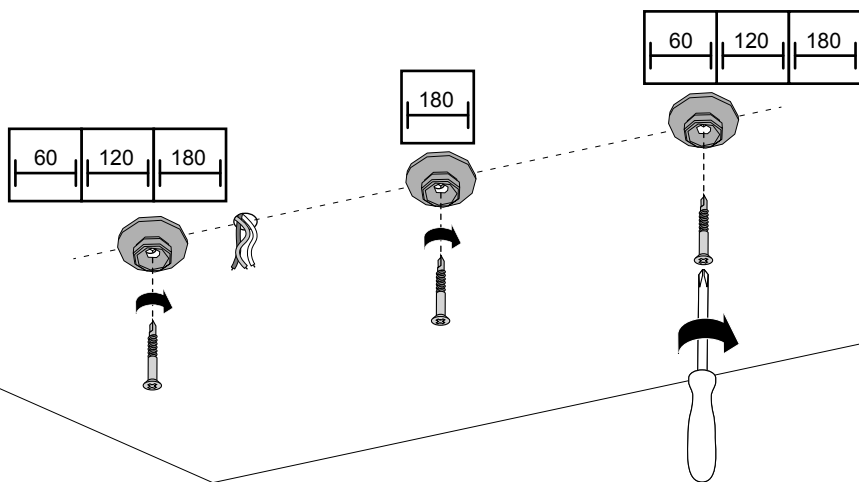
3



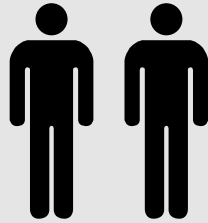
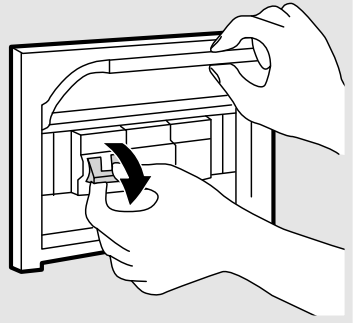
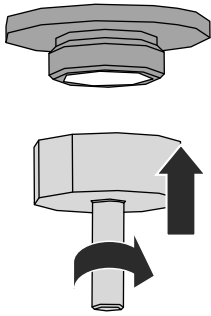
4



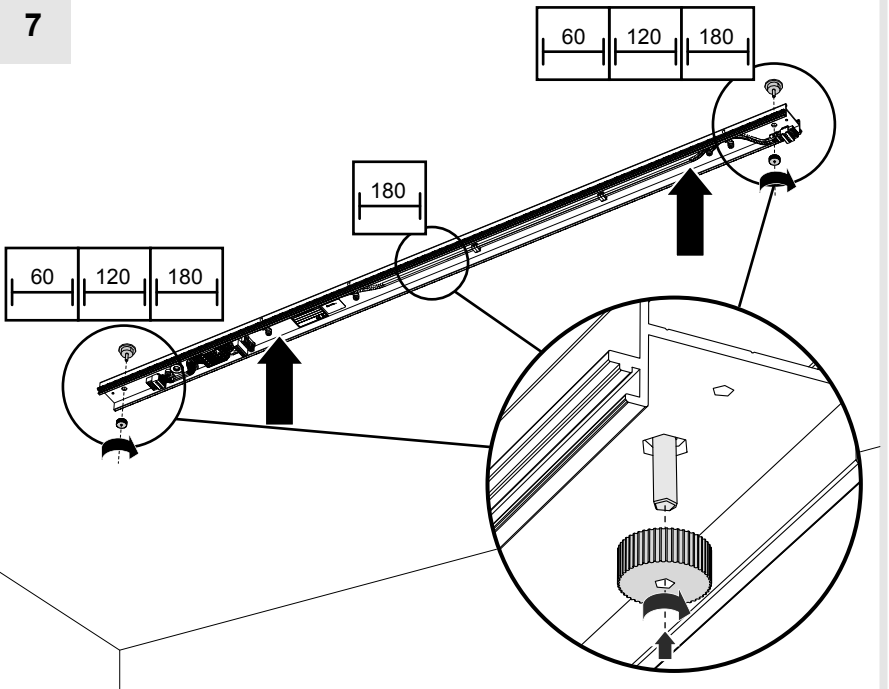
5



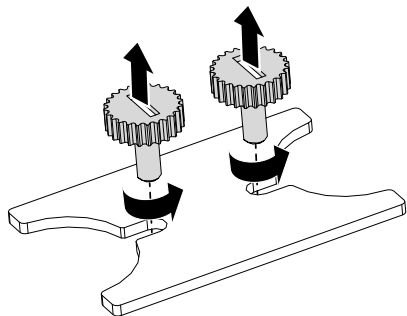
6



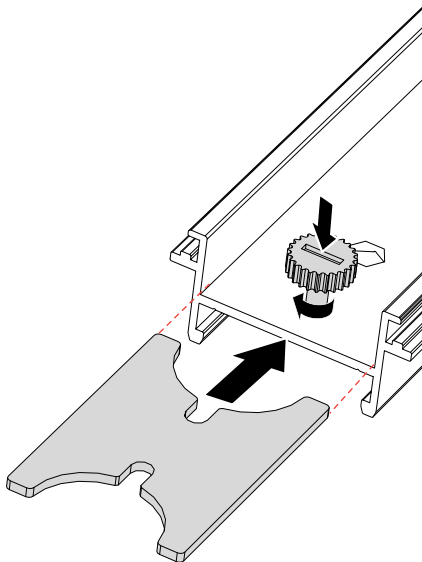
7



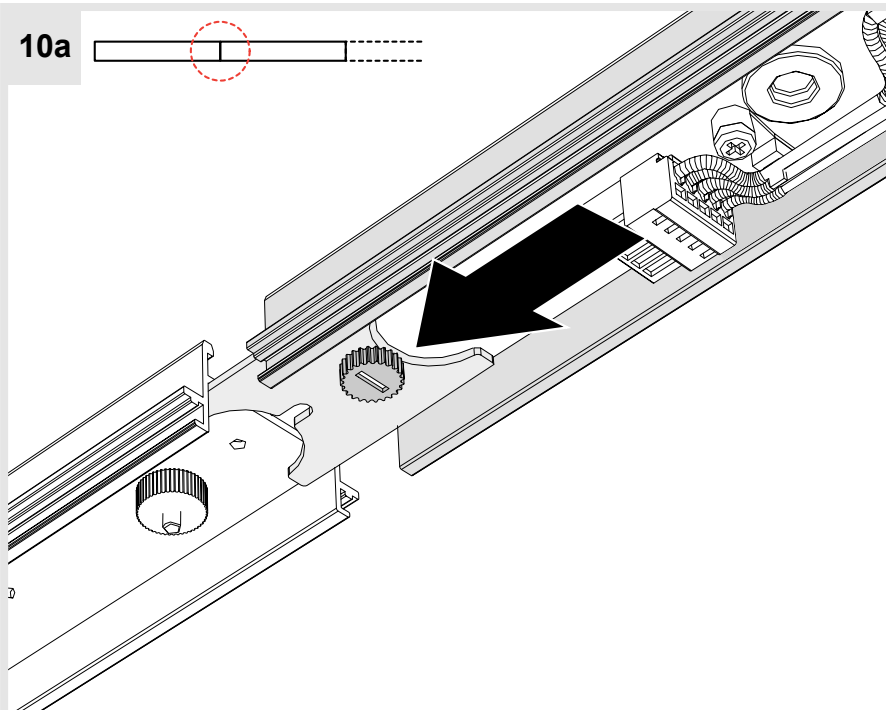
8a



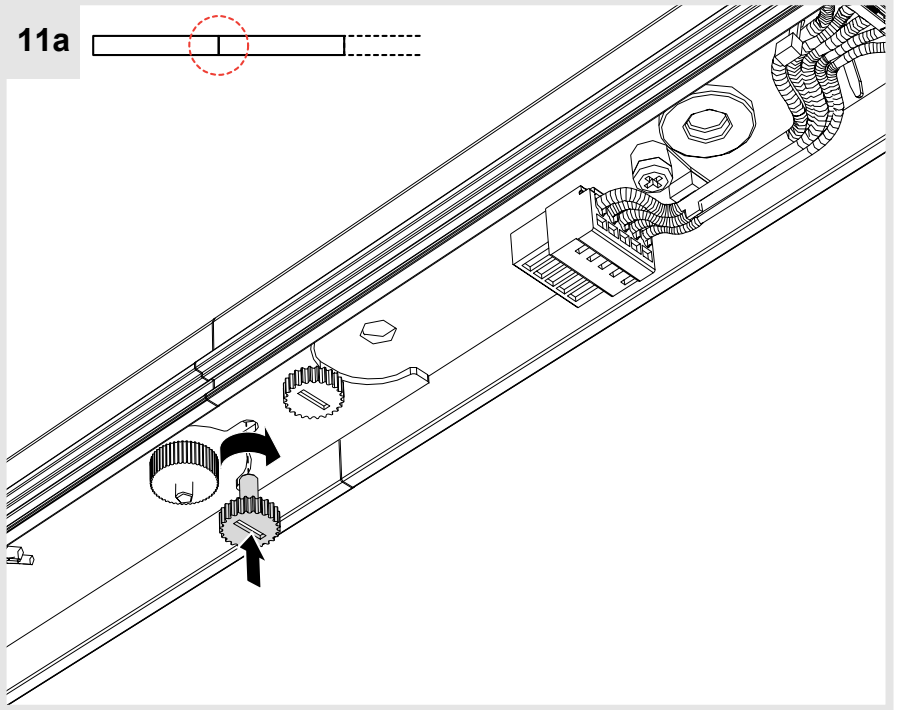
9a



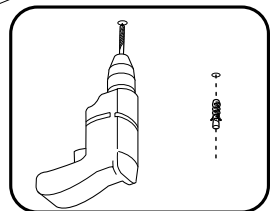
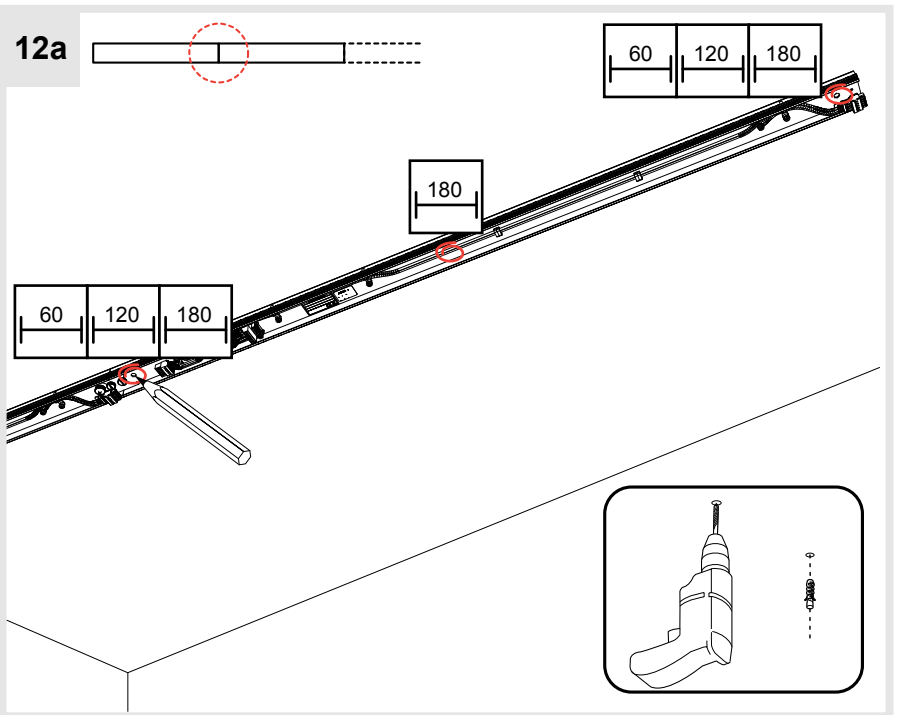
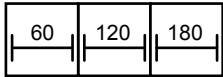
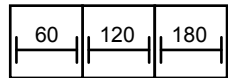
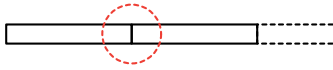
10a



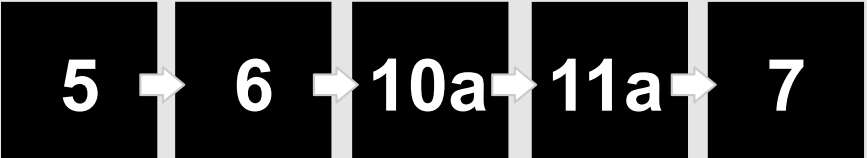
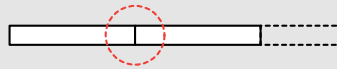
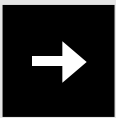
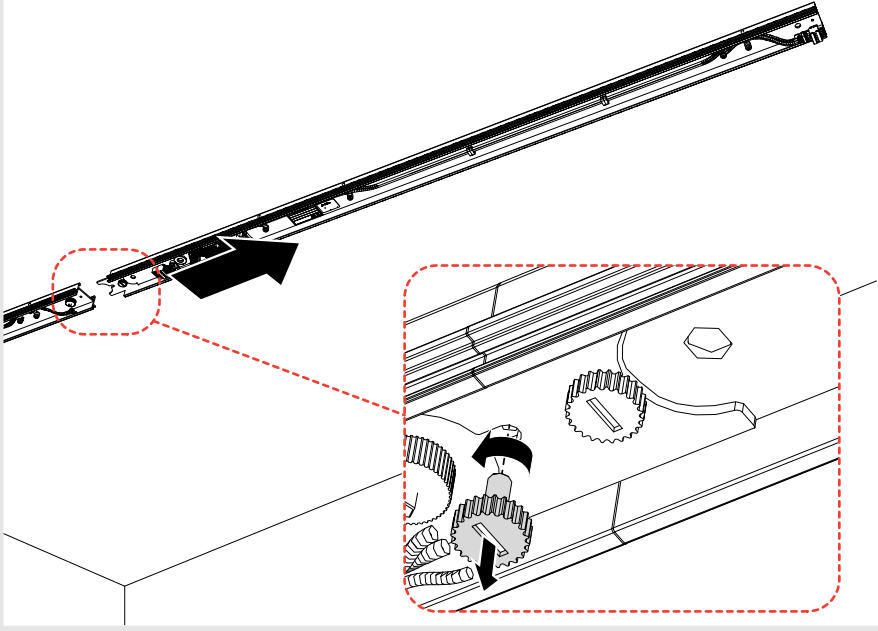
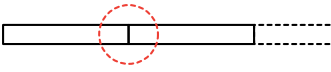
11a



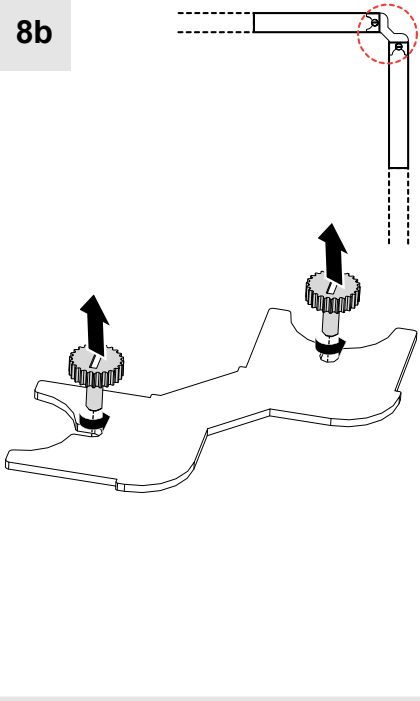
12a



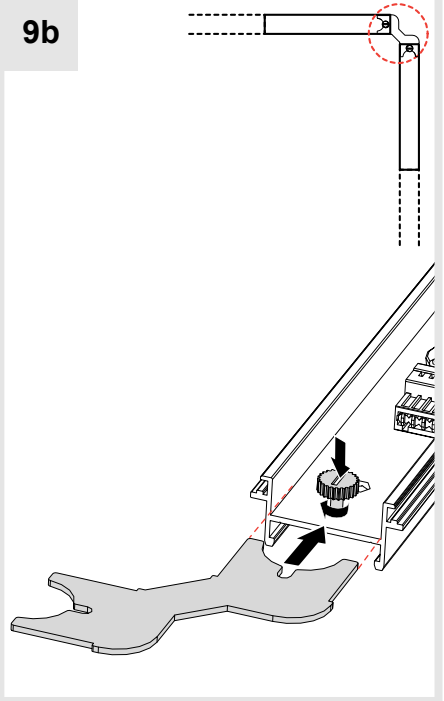
13a



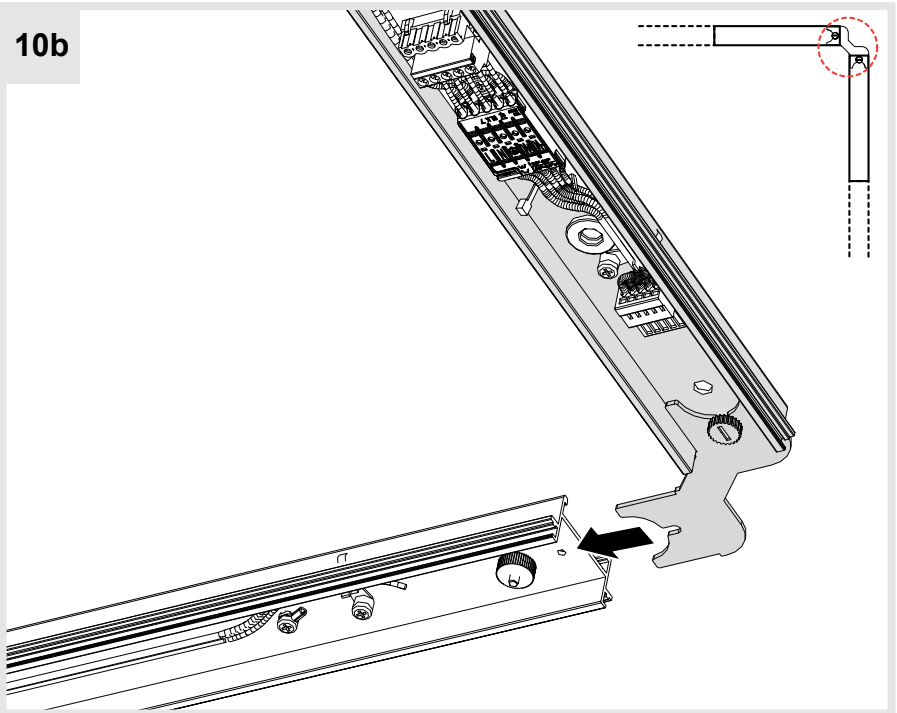
8b



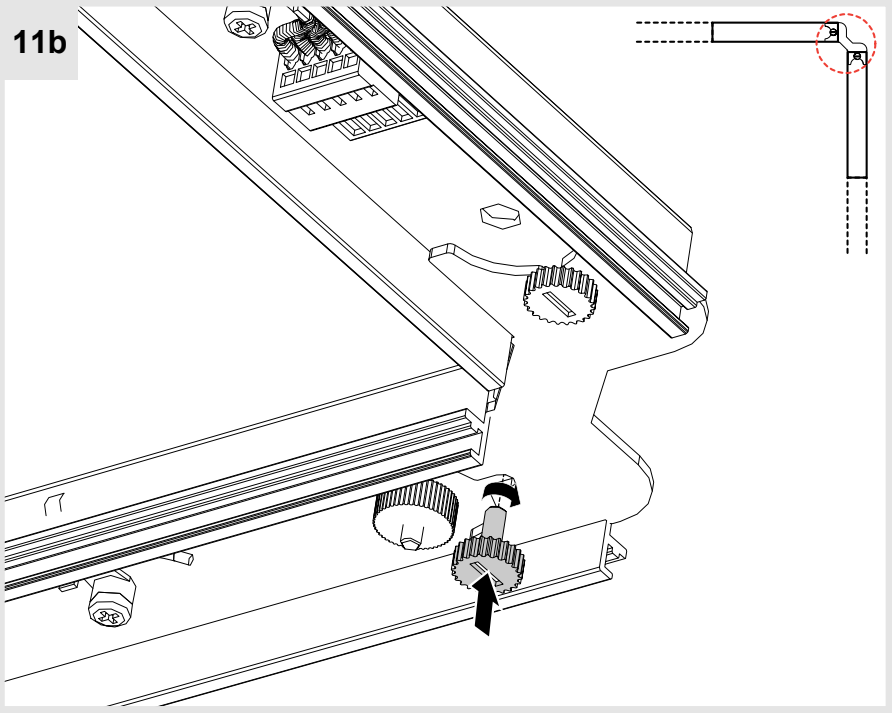
9b



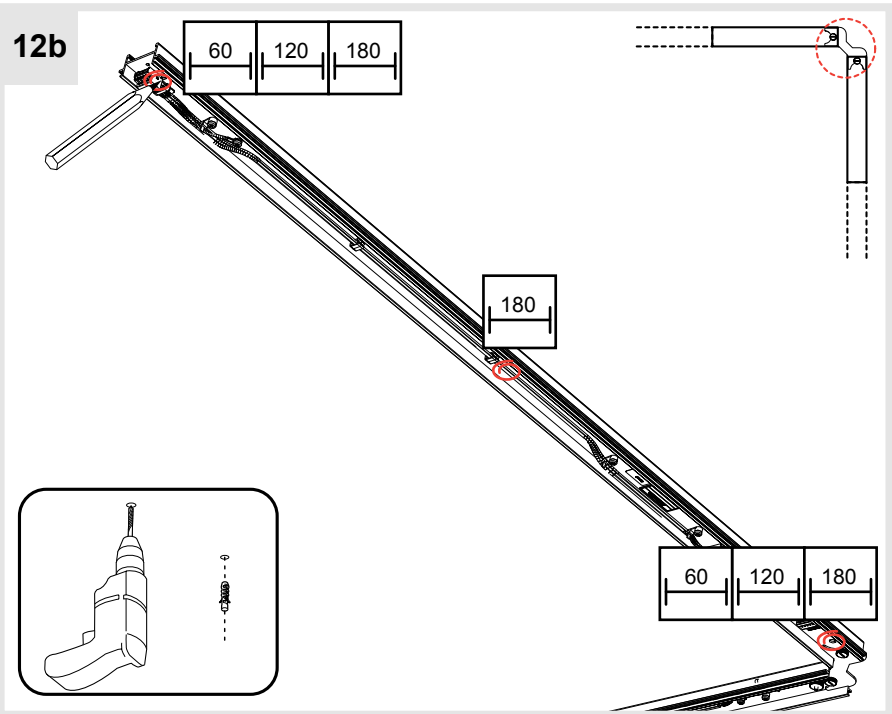
10b



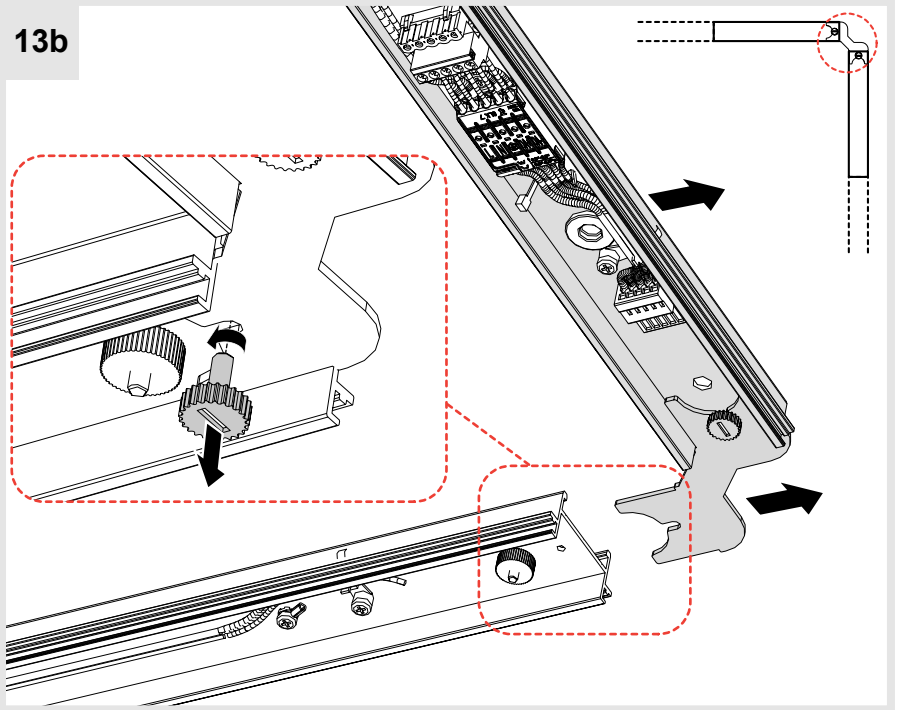
11b



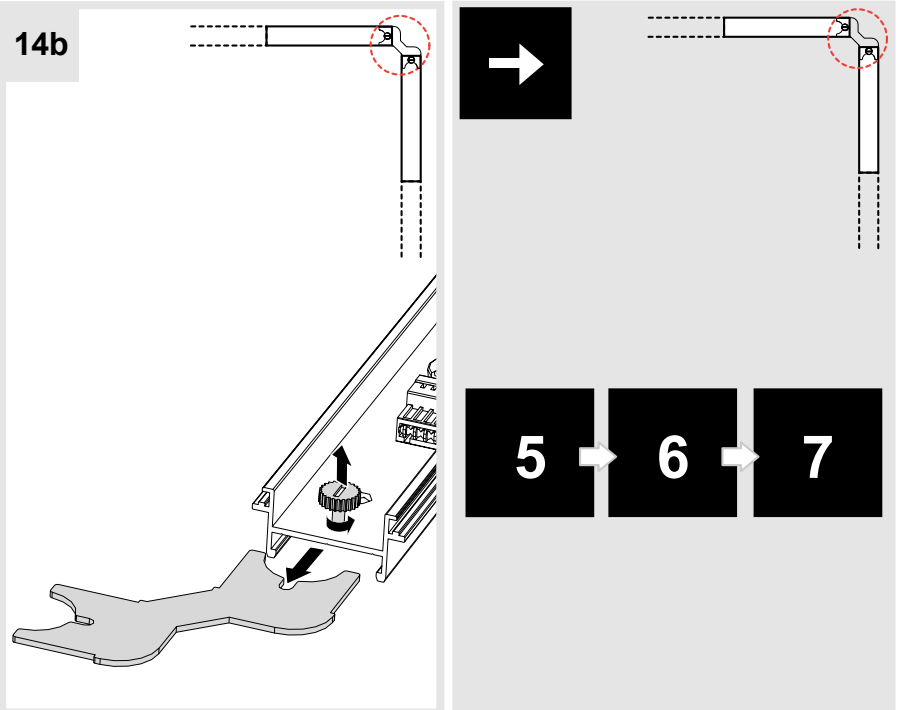
12b



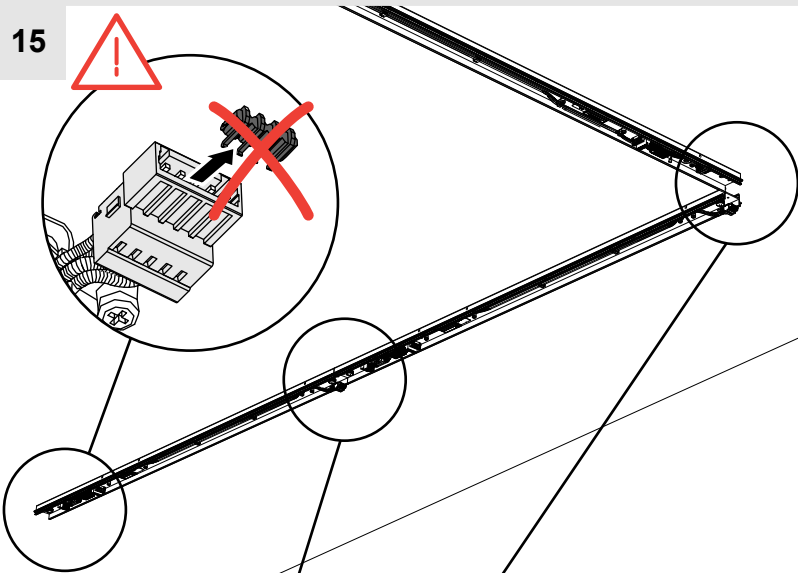
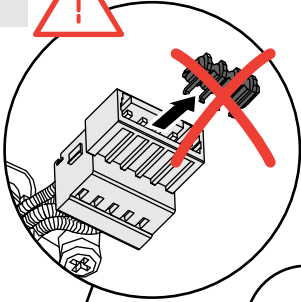
13b



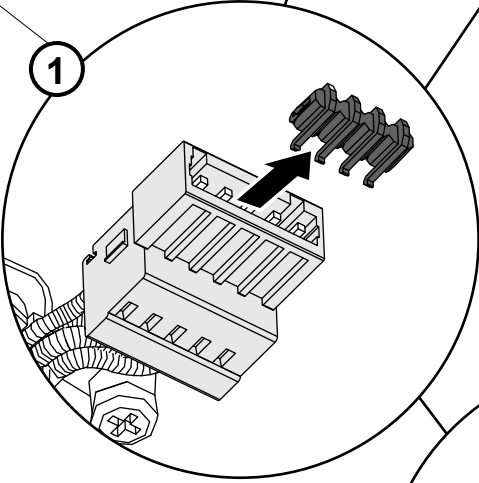
14b



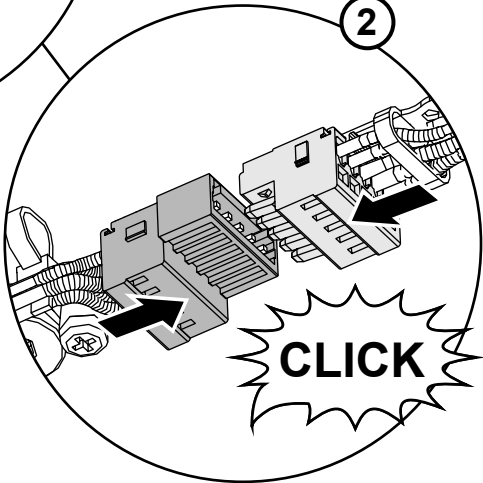
15



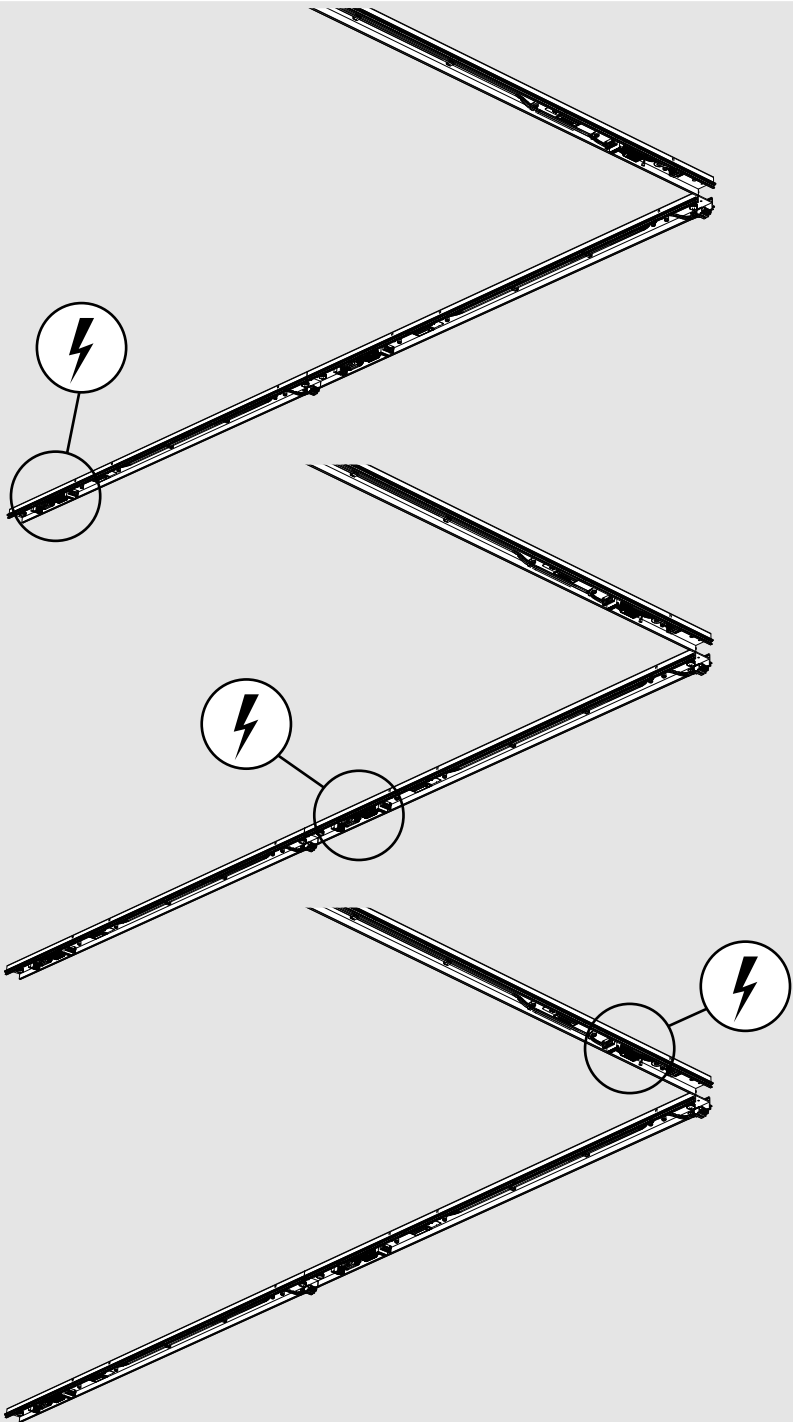
1



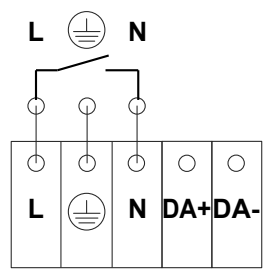
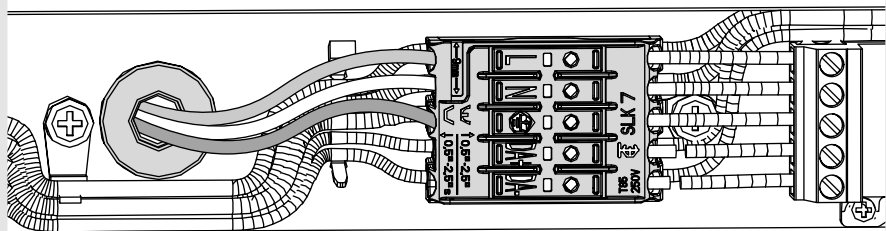
2



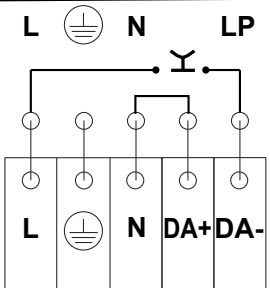
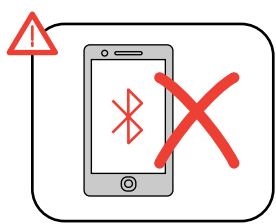
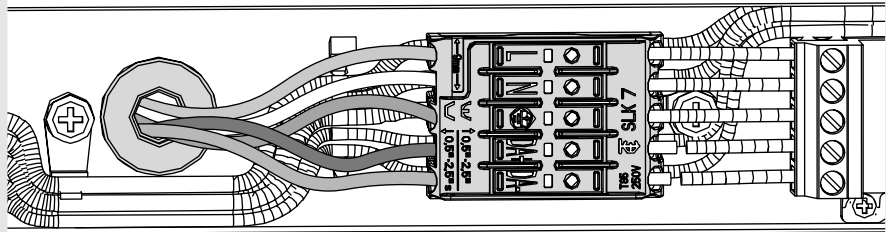
i



16a

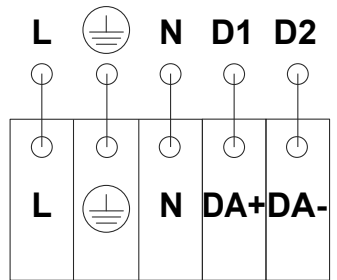
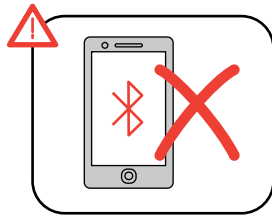
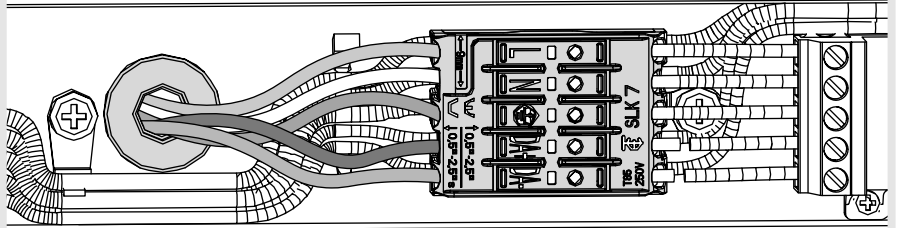


16b

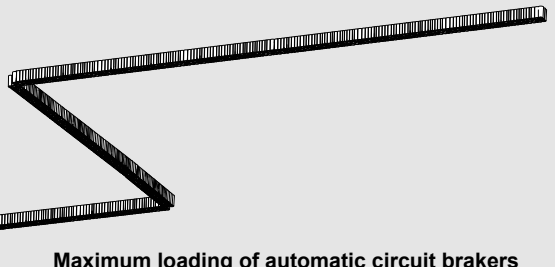




16c



$I_{max} = 10A$
 $P_{max} = 2300W$

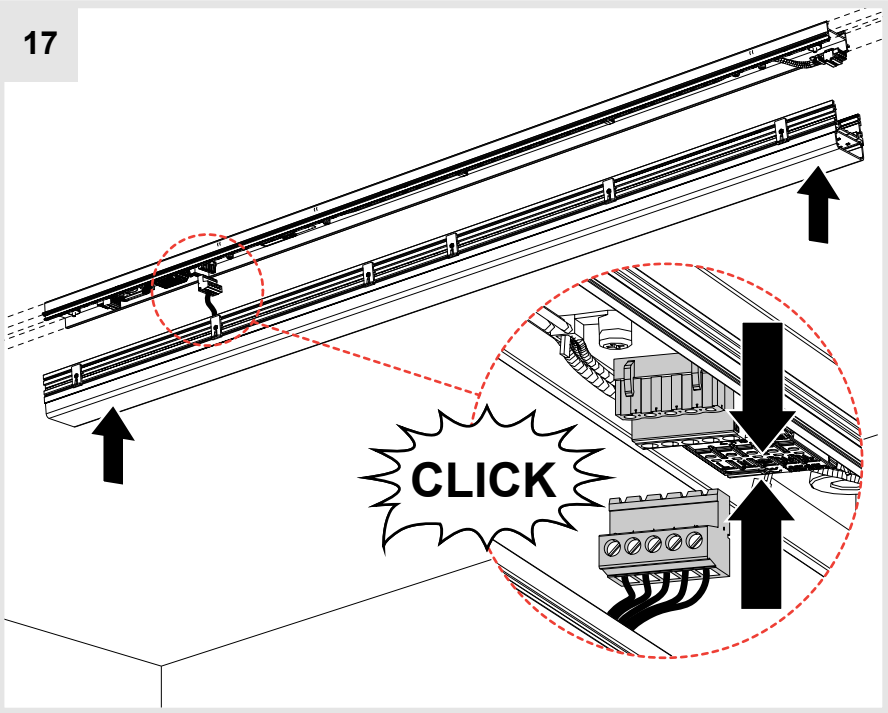


Maximum loading of automatic circuit breakers

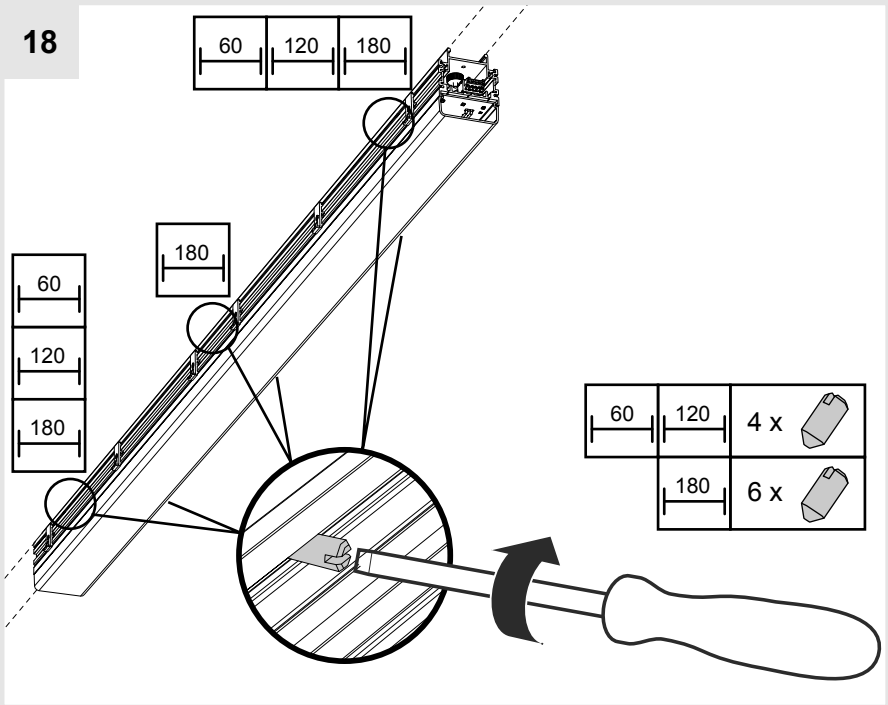
	P_{max} [W]	Inrush Current			Max number of modules			
		I_{max} [A]	Time [μ s]	C10	C13	B10	B13	
2013010A	60	22	35	170	21	28	13	17
2014010A	120	43	34	193	15	20	9	12
2015010A	180							

Calculation uses typical values from ABB series S200 as a reference.
 Actual values may differ due to used circuit breaker types and installation environment.

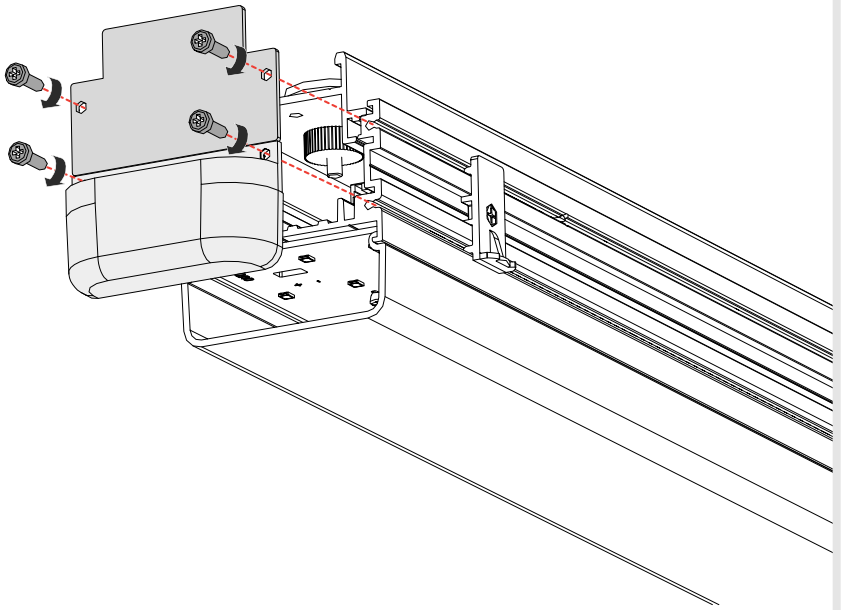
17



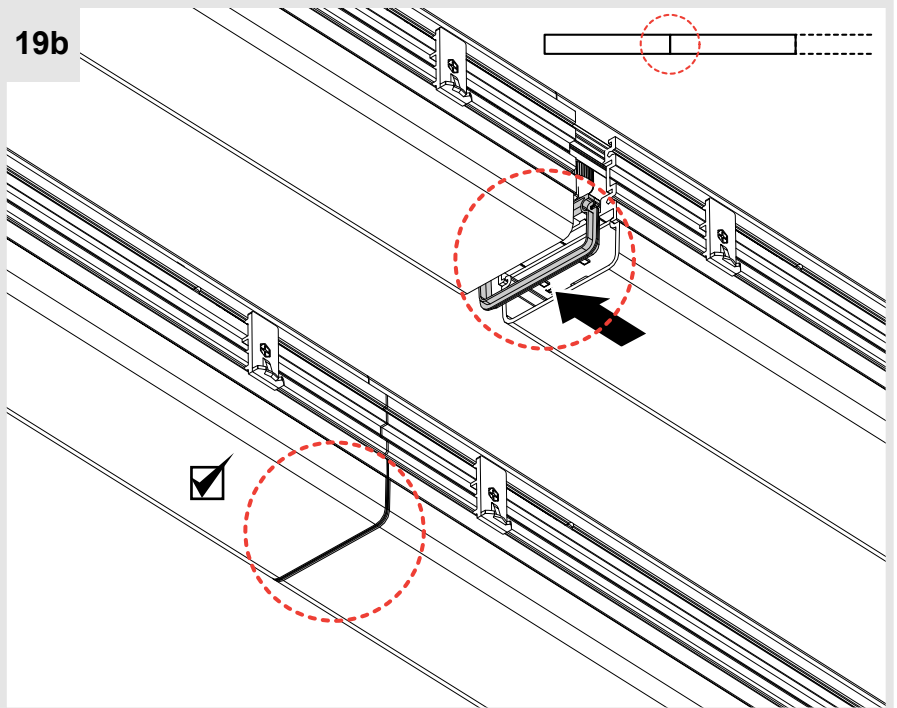
18



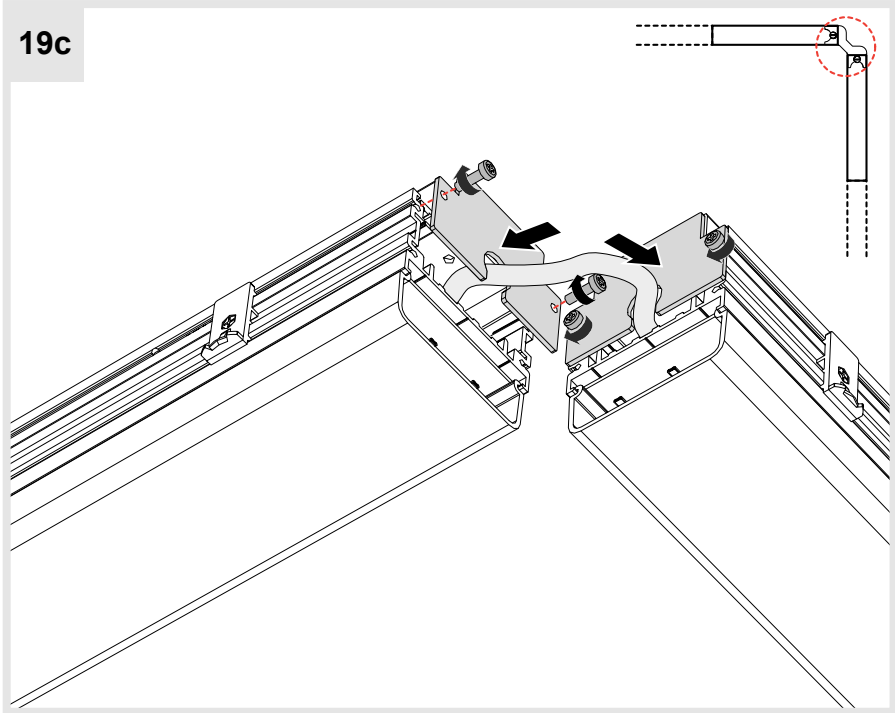
19a



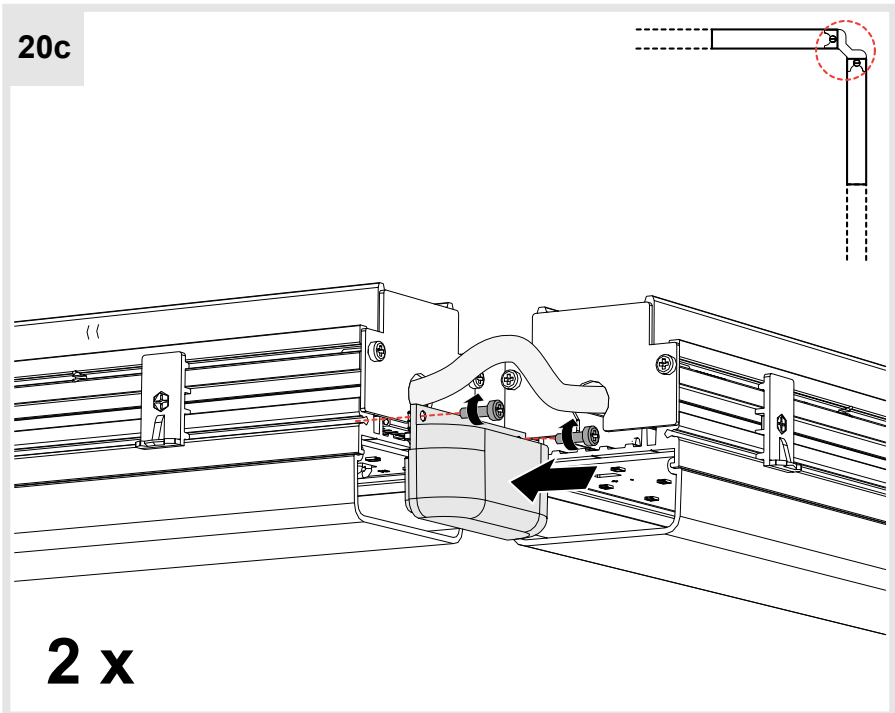
19b



19c

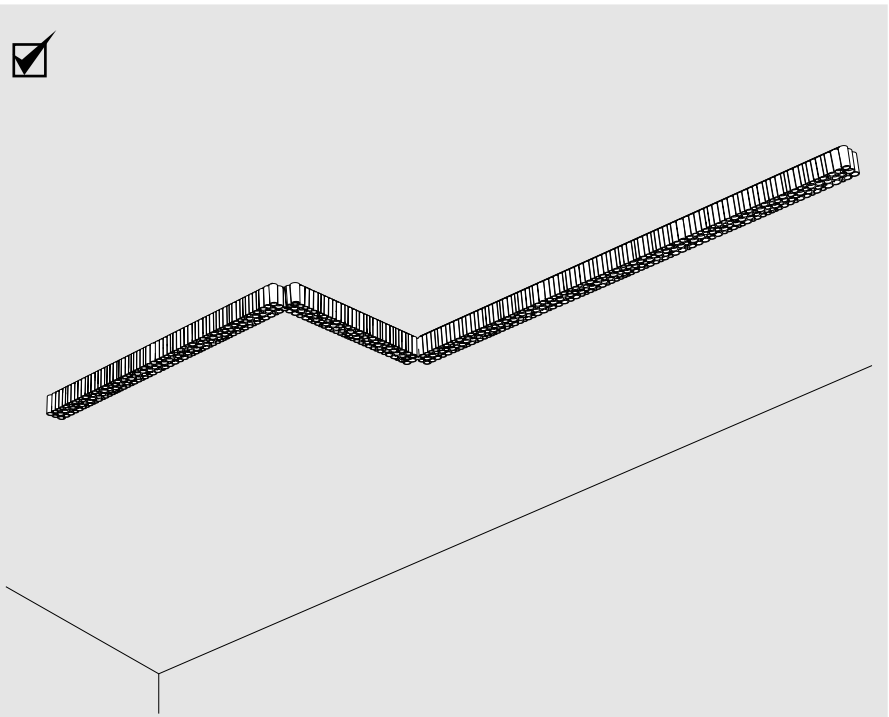
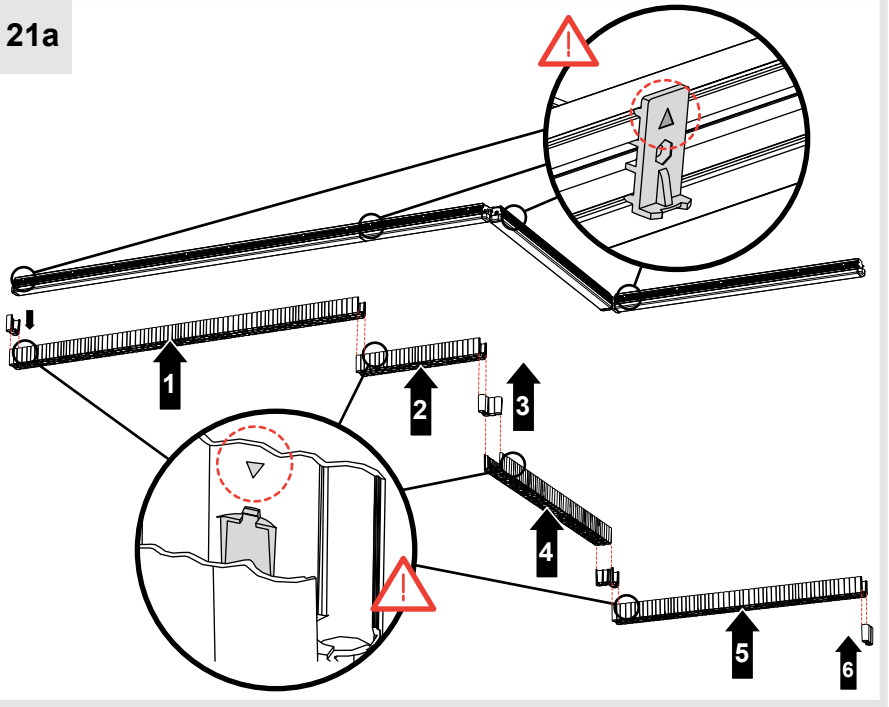


20c

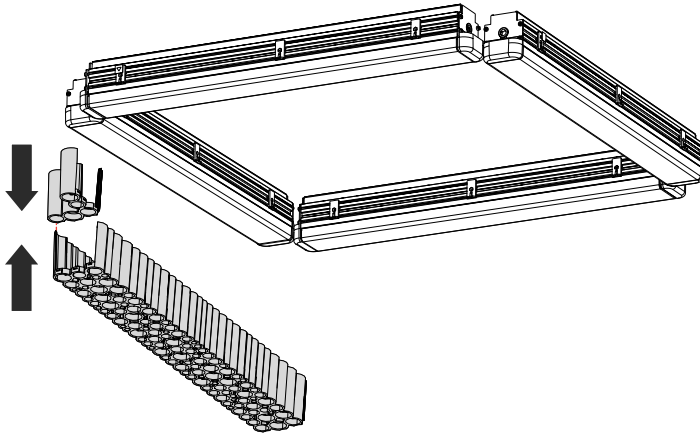


2 x

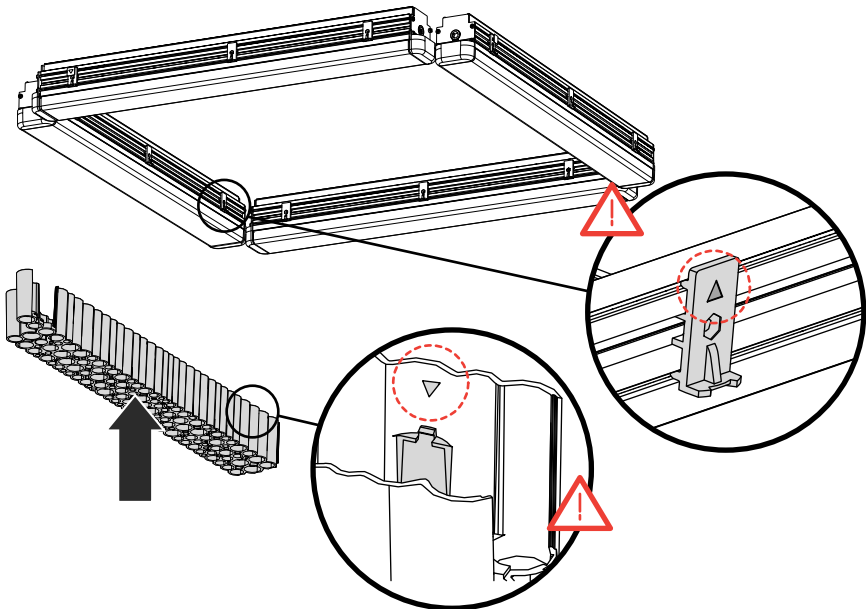
21a



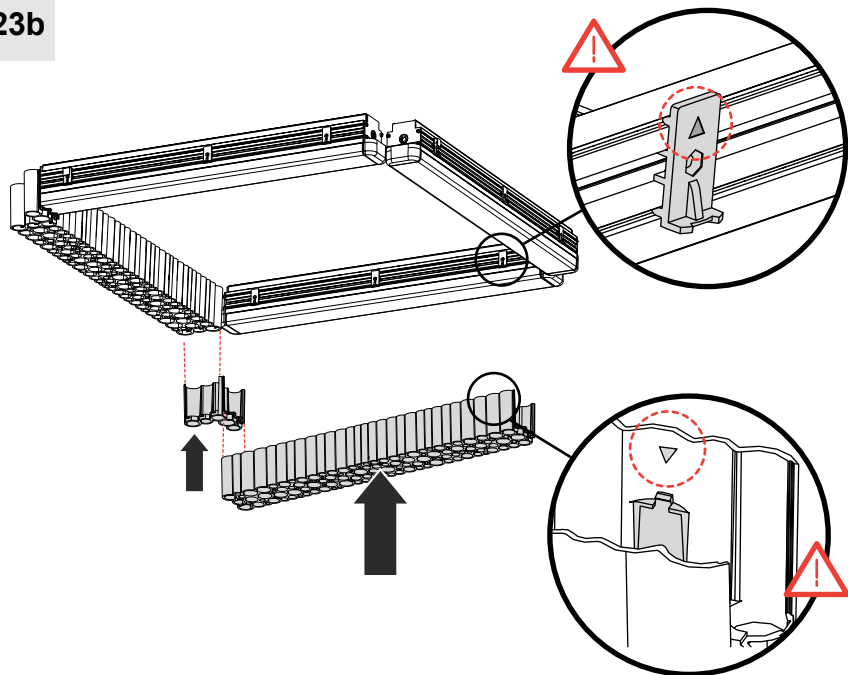
21b



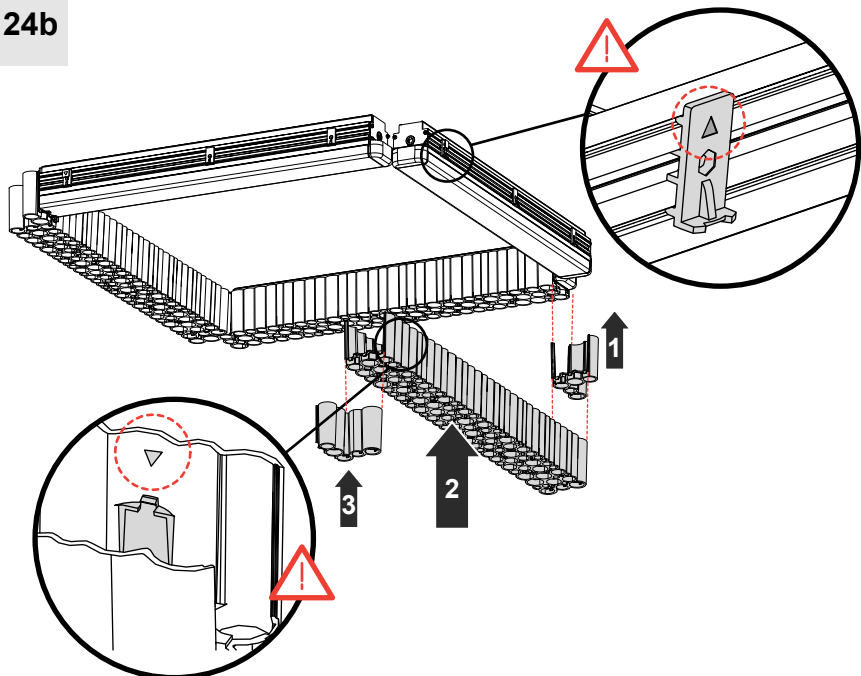
22b



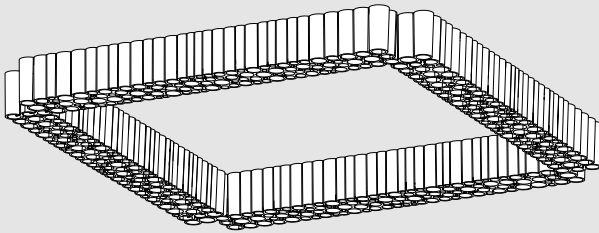
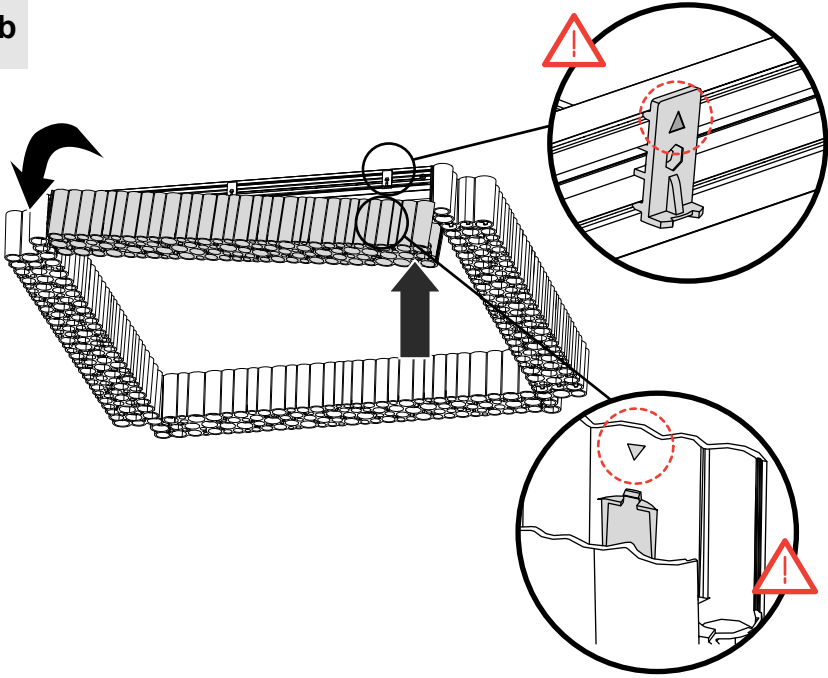
23b

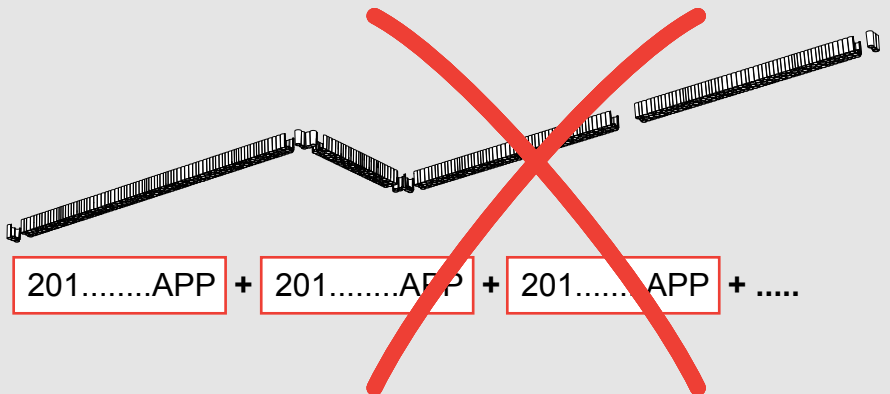
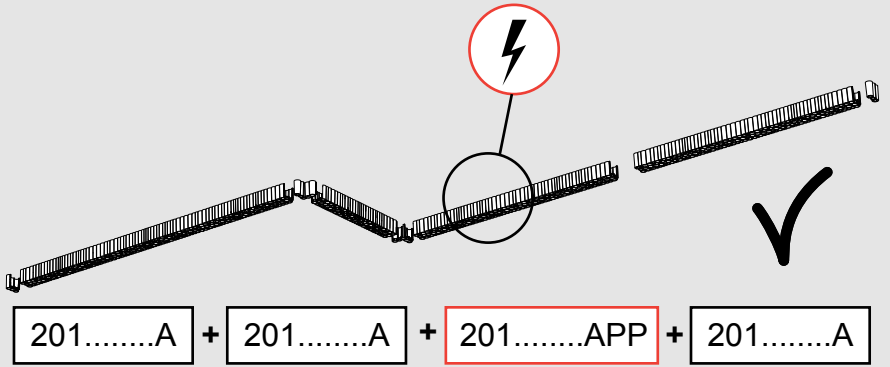
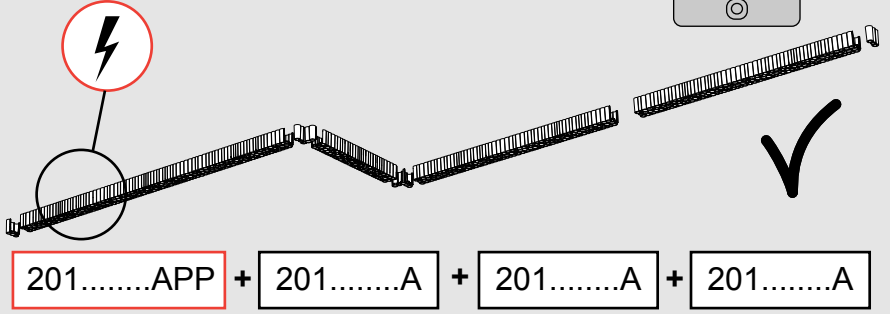
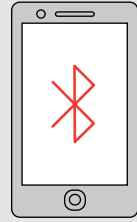


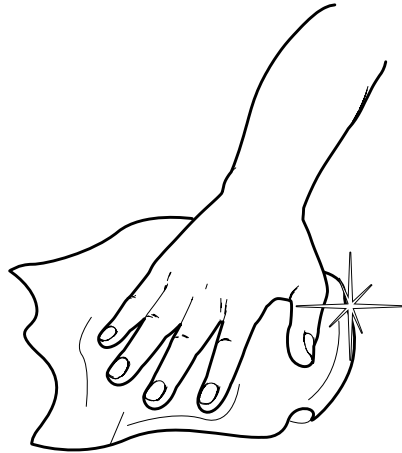
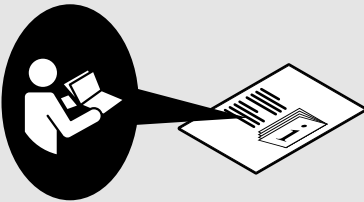
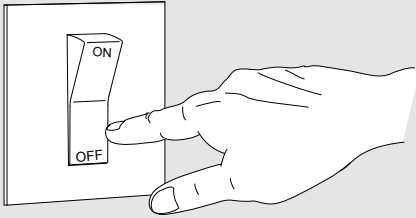
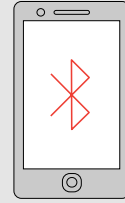
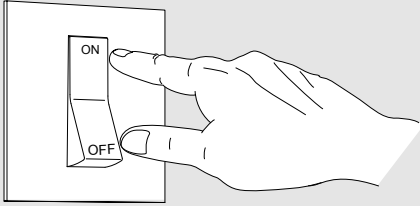
24b



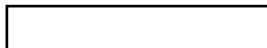
25b







Artemide®



Artemide

via Bergamo, 18
20010 Pregnana M.se (MI)
ITALIA

tel. +39 02 935 181
fax +39 02 935 90 254
fax +39 02 935 90 496

www.artemide.com

VAT IT00846890150

Artemide Inc.

250 Karin Lane
Hicksville, NY 11801

Tel. 631 694 9292
Toll Free 1-877-Art-9111
Fax 631 694 9275

www.artemide.net

Artemide Ltée/Ltd.

11105 rue Renaude Lapointe
Montréal, Québec H1J 2T4

Tel. 514 323 6537
Toll Free 888 777 2783
Fax 514 323 8864

www.artemide.net



cod. Y513001106B