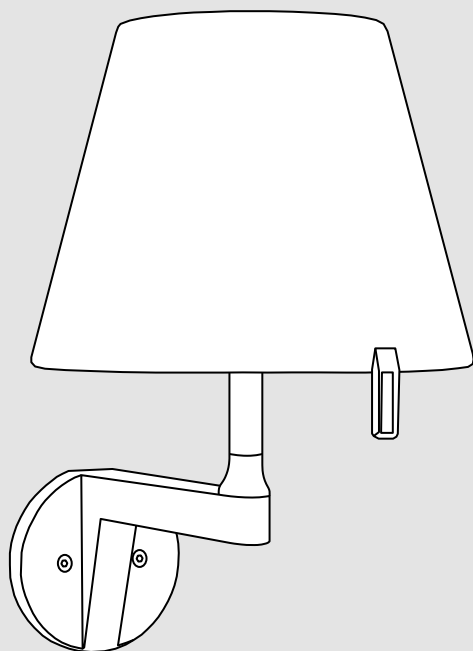


# Artemide®

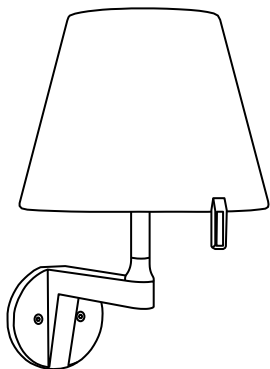
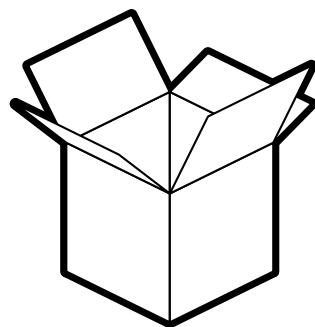
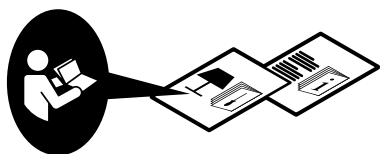
## Melampo

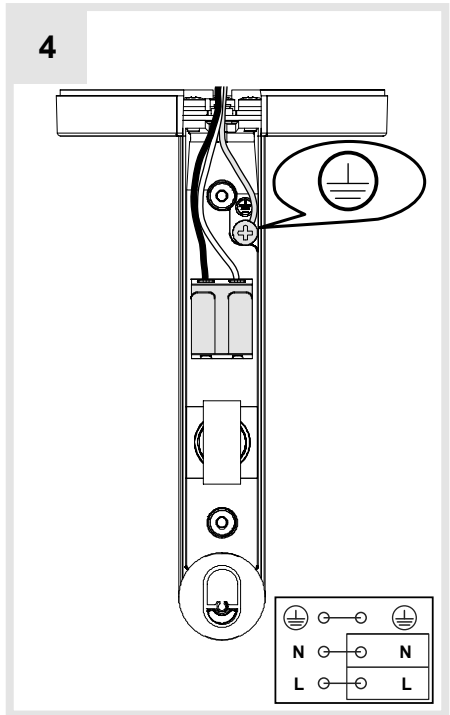
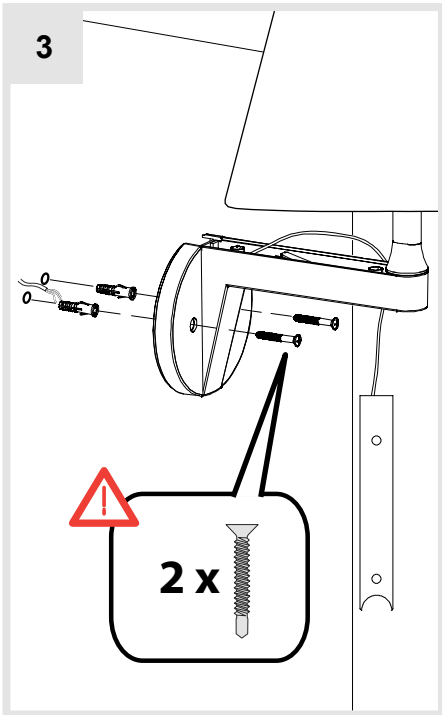
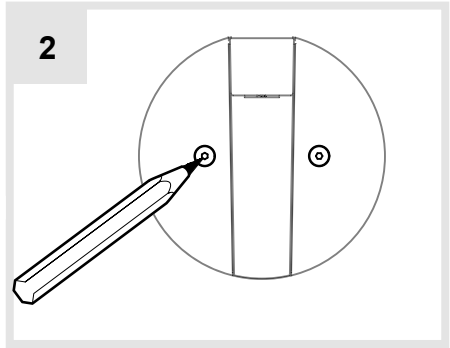
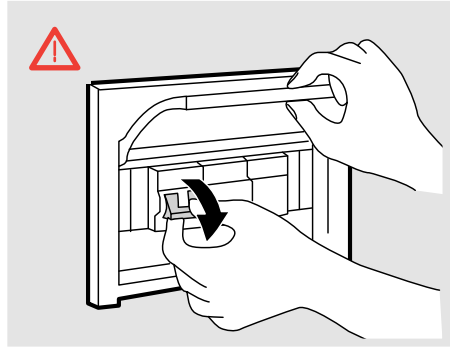
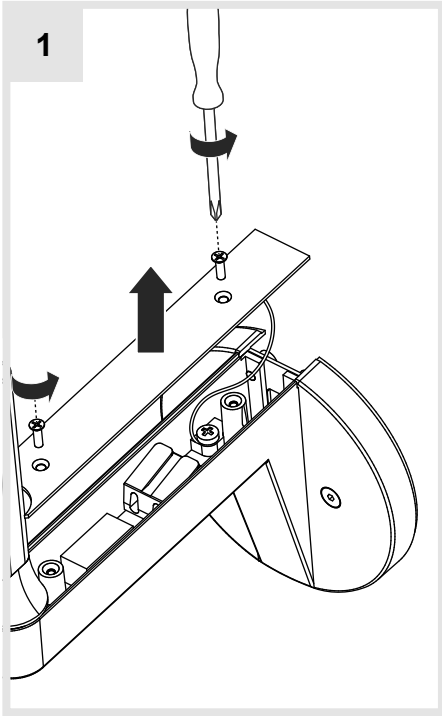
design  
A. Gardère

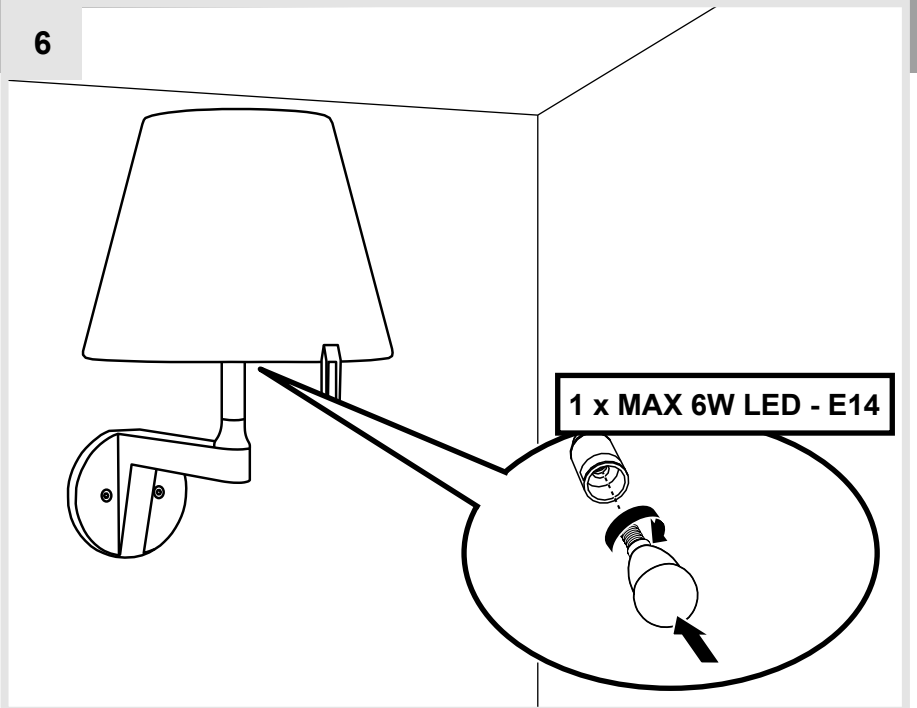
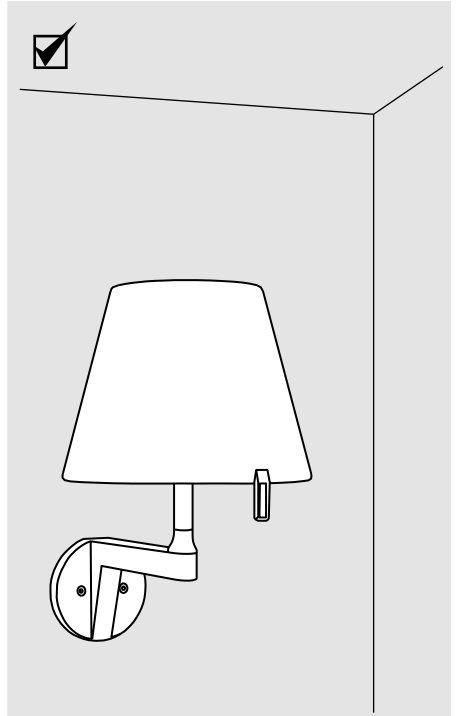
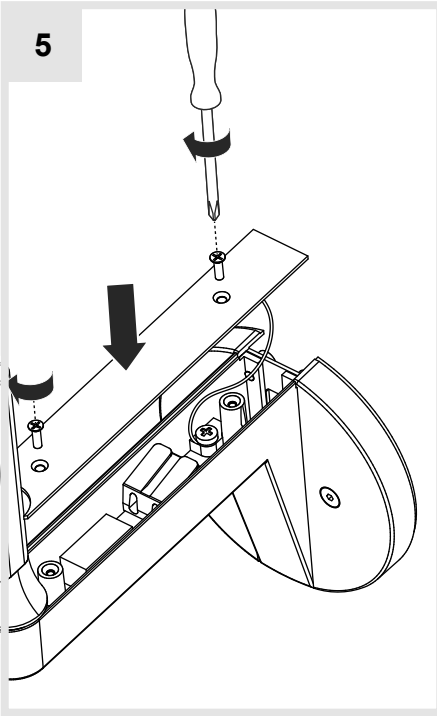




i





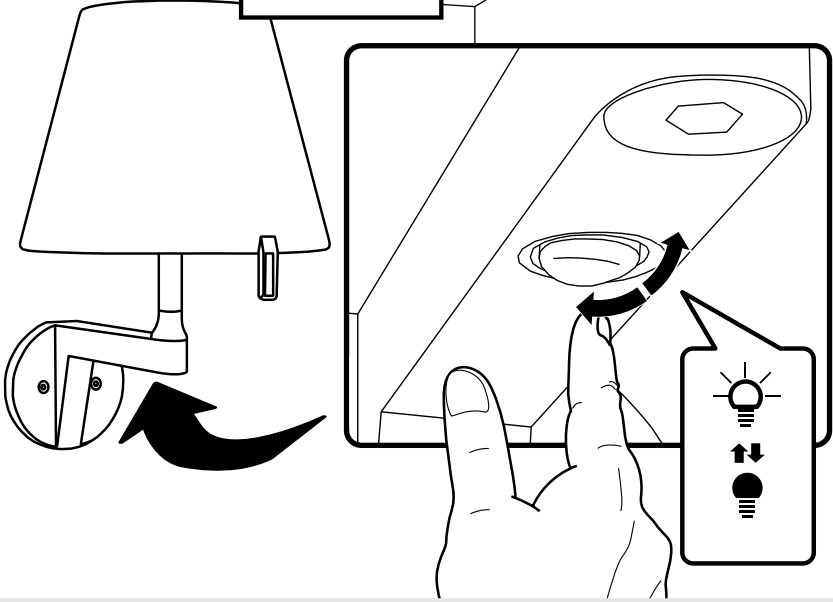




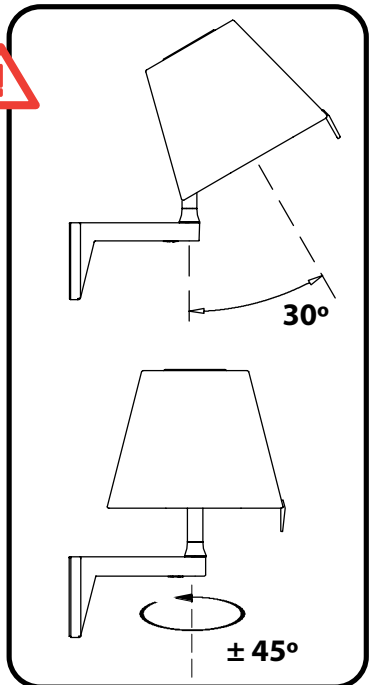
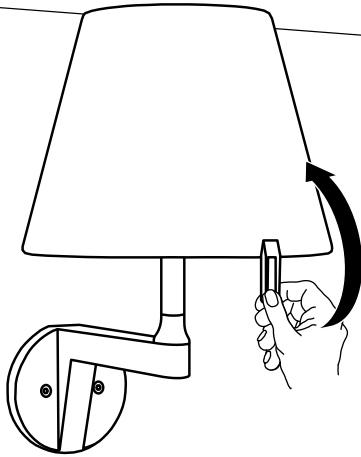
7



07210..A

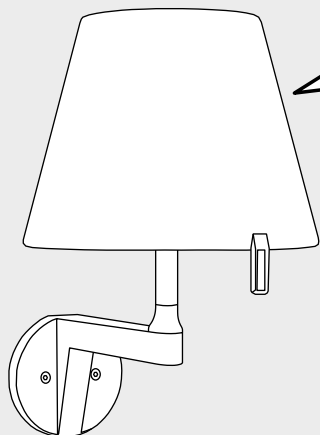


8





**i**



**1 x MAX 6W LED - E14**



LED



HALO



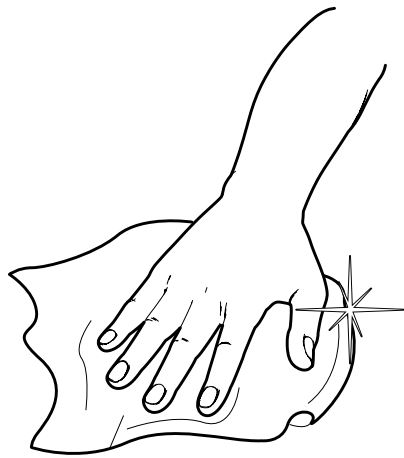
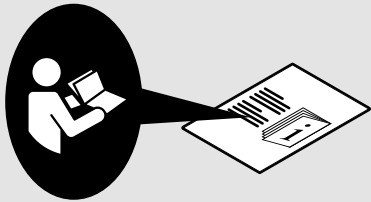
HALO



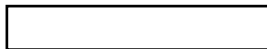
FLUO



**6**



**Artemide®**



## **Artemide**

via Bergamo, 18  
20010 Pregnana M.se (MI)  
ITALIA

tel. +39 02 935 181  
fax +39 02 935 90 254  
fax +39 02 935 90 496

[www.artemide.com](http://www.artemide.com)

VAT IT00846890150

cod. Y513001128